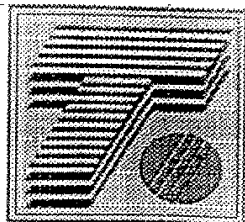
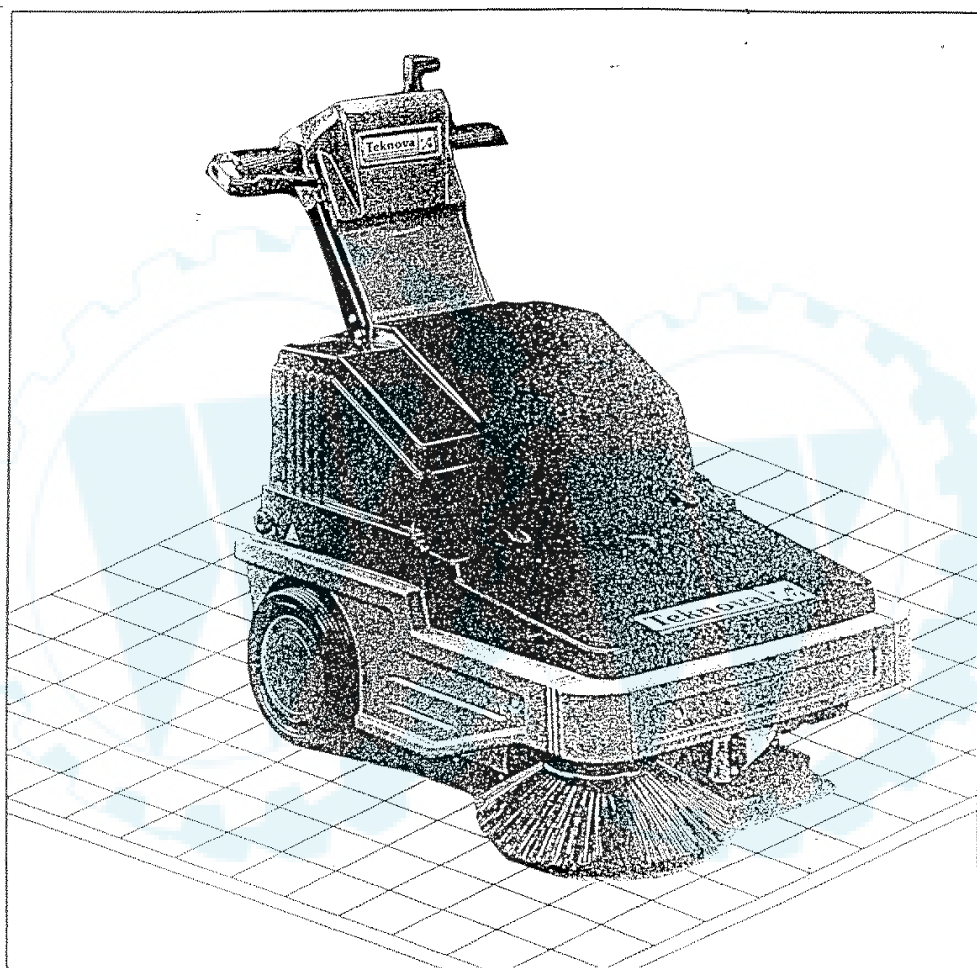


Teknova®



TK 700 ST/ET



PARTI DI RICAMBIO
ERSATZTEILE
SPARE PARTS
PIECES DETACHÉS
RECAMBIOS

38	1.105.302	2	F-5	Rondella 5x10	Washer 5x10	Scheibe 5x10	Rondelle 5x10
39	2.160.060	1	F-3	Flap laterale sinistro TK500/TK700	Left side flap TK 500/TK700	Linkseitenklappe TK500/TK700	Flap lateral gauche TK500/TK700
40	1.105.122	8	C-4	Dado M 5	Nut M 5	Mutter M 5	Eccrou M 5
41	2.180.009	1	C-4	Scheda comando 12V	12V motor blocking driving	12V Commandetrel blok. motor	Fiche de command bloq. moteur 12V
42	1.180.009	1	E-5	Batteria 12V 100Ah	Battery, 12V 100 A	Batterie 12V 100 A	Batterie 12V 100 A
43	2.190.013	1	E-3	Sarta fissaggio carter	Casting-fixing bracket	Gehäusehaltungsbügel	Etrier de fixation carter
44	1.105.233	1	D-3	Vite TBCE 6x25	Screw 6x25	Schraube 6x25	Vis 6x25
45	1.105.303	1	D-3	Rondella 6x12	Washer 6x12	Scheibe 6x12	Rondelle 6x12
46	1.380.1000	1	A-4	Contaore digitale	Hourmeter LCD	Stundenzähler LCD	Compte-heures LCD
47	1.380.050	1	B-5	Pulsante unipolare	Unipolar button	Druckknopf	Bouton
48	1.180.008	1	C-4	Cavo arresto motore HONDA	Stop button's cable	Halbungsdruckknopfskabel	Câble bouton arrêt
49	1.320.062	1	E-2	Galletto Ø 30 M 8 x 20	Butterfly screw Ø30 M 8x20	Flügelmutter Ø30 M8x20	Eccrou à oreilles Ø30 M8x20
50	1.125.011	1	C-1	Acceleratore	Accelerator	Beschleuniger	Accelerateur

Rif.	Code	N°	Pos.	Descrizione	Description	Beschreibung	Description
	2.120.116	1	A-3	Cofano superiore TK700 ET Rosso	Red Upper cover TK 700 ET	Rot Oberdeckel TK 700 ET	Capot Superior Rouge TK 700 ET
	2.120.136	1	A-3	Cofano superiore TK700 ET Bianco	White Upper cover TK 700 ET	Weiss Oberdeckel TK 700 ET	Capot Superior Blanche TK 700 ET
1	2.120.234	1	A-3	Cofano superiore TK700 ET Blu	Blue Upper cover TK 700 ET	Blau Oberdeckel TK 700 ET	Capot Supérieur Bleu TK 700 ET
	2.120.196	1	A-3	Cofano superiore TK700 ST Bianco	White Upper cover TK 700 ST	Weiss Oberdeckel TK 700 ST	Capot Superior Blanche TK 700 ST
	2.120.120	1	A-3	Cofano superiore TK700 ST Rosso	Red Upper cover TK 700 ST	Rot Oberdeckel TK 700 ST	Capot Superior Rouge TK 700 ST
2	1.320.030	2	B-4	Volantino Ø 40 M8x15	Knob Ø 40 M8x15	Knopfen Ø 40 M8x15	Pommeau Ø40 M 8X15
3	1.105.201	4	E-2	Dado ingabbiato M8	Nut M 8	Mutter M 8	Erou M 8
4	2.300.111	4	A-1	Serratura TEK Completa	TEK locking	TEK Schließung	Tek Serrure
5	2.200.200	1	C-3	Manico TK Elettrico verniciato	Handgrip TK700 E painted	Lenkstange TK 700 E lackiert	Poignee TK 700 E verni
	2.200.201	1	C-3	Manico TK Scoppio verniciato	Handgrip TK700 S painted	Lenkstange TK 700 S lackiert	Poignee TK 700 S verni
6	1.200.040	2	C-3	Manopola in gomma nera Ø24/24	Rubber handle cover Ø 24/24	Lenkstangengummideckung Ø 24/24	Couvre-guidon en caoutch. Ø 24/24
7	2.120.118	1	B-2	Carter chiusura TK700 S	Locking casing TK700 S	Schließengehäuse TK700 S	Carter de fermeture TK700 S
	2.120.132	1	B-1	Cassetto anteriore TK 700 Bianco	White front drawer TK 700	Weiss Vorder Schmutzbehälter TK700	Bac avant blanche TK 700
8	2.120.233	1	B-1	Cassetto anteriore TK 700 Blu	Blue front drawer TK 700	Blau Vorder Schmutzbehälter TK700	Bac avant bleu TK 700
	2.120.119	1	B-1	Cassetto anteriore TK 700 Rosso	Red front drawer TK 700	Rot Vorder Schmutzbehälter TK700	Bac avant rot TK 700
9	1.105.304	2	A-3	Rondella 8x17	Washer 8x17	Scheibe 8x17	Rondelle 8x17
10	2.120.235	1	C-2	Carter chiusura manico Grigio	Gray cable casing for the handle	Grau Handgriffskabelmantel Gehäuse	Carter couvre-câbles poignée grise
11	2.310.241	1	D-5	Maniglia Completa	Complete Handle L 183	Vollst. Handgriff	Poignée complete
12	1.105.325	6	B-1	Rondella 6x24x2	Washer 6x24x2	Scheibe 6x24x2	Rondelle 6x24x2
13	1.320.048	1.5 Mt	D-4	Guarnizione trafilato armato	Reinforced gasket	Verstärkt dichtung	Joint renforce
14	1.105.236	8	C-3	Vite TBCE 6x16	Screw 6x16	Schraube 6x16	Vis 6x16
15	1.105.361	6	B-1	Vite autofilante TEFR 6,3x19	Screw 6,3x19	Schraube 6,3x19	Vis 6,3x19
16	2.270.091	1	E-3	Telaio TK 700 S RAL 7001	Frame TK 700 S RAL 7001	Rahmen TK 700 S RAL 7001	Rahmen TK 700 S RAL 7001
	2.270.087	1	E-3	Telaio TK 700 E RAL 7001	Frame TK 700 E RAL 7001	Rahmen TK 700 E RAL 7001	Rahmen TK 700 E RAL 7001
17	1.105.230	8	D-1	Vite TBCE 8x10	Screw 8x10	Schraube 8x10	Vis 8x10
18	2.120.152	1	E-1	Carter laterale DX TK700 Grigio	Gray Right side casing TK 700	Grau Rechtsseitengehäuse TK 700	Carter latéral droit TK 700 Gris
19	2.120.155	1	F-3	Carter laterale SX TK700 Grigio	Gray Left side casing TK 700	Grau Linksseitengehäuse TK 700	Carter latéral gauche TK700 Gris
20	2.120.121	1	E-1	Carter frontale TK 700 Grigio	Gray Front casing TK 700	Grau Frontgehäuse TK 700	Carter frontal TK 700 Gris
21	1.105.239	2	F-1	Vite TBCE 8x16	Screw 8x16	Schraube 8x16	Vis 8x16
22	1.105.123	2	E-2	Dado M6	Nut M 6	Mutter M 6	Erou M6
23	1.370.003	2	E-2	Piedino 20x9 M6x18	Foot 20x9 M6x18	Fuß 20x9 M6x18	Pied 20X9 M6X18
24	2.120.122	1	D-5	Cassetto posteriore TK 700 Grigio	Gray back drawer TK 700	Grau Hintersch. behälter TK 700	Bac arrière TK 700 Gris
25	2.310.097	2	A-1	Maniglia Completa	Complete Handle	Vollst. Handgriff	Poignée complete

700
AV
Vers.07

Rif. Code	N°	Rif.	Descrizione	Description	Beschreibung	Description
1	2.125.003	B-4	Guaina alzaspazzola laterale	Side brush sheathing	Seitenbesensnähse	Gaina brosse laterale
2	2.310.123	A-4	Manglia trazione TK completa	Traction handle TK	Zughandgriff TK	Pognée traction TK
3	1.105.229	A-2	Registo tornito Ø 7	Turned adjuster Ø 7	Gredtrel Regler Ø 7	Barre de réglage tournie Ø 7
4	1.125.005	A-5	Leva comando alzaspazzola later.	Sidebrush drive lever	Seitenbesenssteuerhebel	Lever de command brosse laterale
5	1.105.162	F-1	Vite TEFER 6x16	Screw 6x16	Schraube 6x16	Vis 6x16
6	1.105.303	C-3	Rondella 6x12	Washer 6x12	Scheibe 6x12	Rondelle 6x12
7	2.150.025	A-3	Bloccetto ferma guaine	Sheath stopping block	Hülsschaltungsblock	Bloque de arrête guaine
8	2.110.035	D-4	Braccio regolazione spazzola	Brush adjusting arm	Besensstellungsarm	Bras de regulation brosse
9	2.125.012	C-5	Guaina cavo trazione	Drive cable sheath	Antriebskabelhülse	Gaina câble traction
10	2.125.012	C	Cavo trazione	Drive cable	Antriebskabel	Câble traction
11	1.105.485	2	Grano 5x6	Dowel 5x6	Zapfen 5x6	Ergot 5x6
12	2.290.004	2	Vite CH 17 h 28 fissaggio filo	Wire fixing screw	Kabelbefestigungsschraube	Vis fixation câble
13	1.105.304	6	Rondella 8x17	Washer 8x17	Scheibe 8x17	Rondelle 8x17
14	1.105.134	3	Dado bloccante M8	Block nut M 8	Schraube Mutter M 8	Ecrou bloquant M 8
15	1.105.238	4	Vite TFCCE 8x25	Screw 8x25	Schraube 8x25	Vis 8x25
16	2.110.025	1	Boccola leva tendicinghia	Belt tightener lever's b.	Riemenspannrollesbüchse	Douille tendeur de courroie
17	2.205.005	1	Molla trazione	TK traction spring	Zugfeder TK	Ressort traction TK
18	2.290.001	1	Vite bloccaggio rullo tendicinghia	Fixing screw for the belt tightener roll	Befestigungssch. Riemenspannrolle	Vis de blocage tend. de courroie
19	2.250.001	1	Rullo tendicinghia h15	Belt tightener roll h15	Riemenspannrolle h15	Rouleau tendeur de courroie h15
20	1.390.005	2	Cuscinetto 608 2RS	Bearing 608 2RS	Kugellager 608 2RS	Palier 608 2RS
21	1.105.701	2	Seeger interno Ø 22	Inner snap ring	Innenseeger Ø 22	Bague d'arrêt interne Ø 22
22	2.130.001	1	Distanziale Ø12 h 3,5	Spacer	Abstandstück	Ecarteuse
23	2.190.011	1	Staffa tendicinghia TKS	TKS belt tightener bracket	Riemenspannbügel TKS	Etrier tendeur de courroie TKS
23	2.190.011E	1	Staffa tendicinghia TKE	TKE belt tightener bracket	Riemenspannbügel TKE	Etrier tendeur de courroie TKE
24	2.290.007	1	Perno per bilanciere	Pin for rocker	Zapfen Kipphebel	Goujon pour culbuteur
25	2.110.016	2	Boccola per bilanciere	Rocker bushing	Kipphebelbüchse	Douille culbuteur
26	2.110.029	1	Bilanciere TK 700	TK 700 Rocker	TK 700 Kipphebel	Culbuteur TK 700
27	1.105.133	6	Dado bloccante M 6	Block nut M 6	Block Mutter M 6	Ecrou bloquant M 6
28	1.105.094	2	Vite TK 12x40	Screw 12x40	Schraube 12x40	Vis 12x40
29	1.250.067	?	Ragno Ø 100 superavvitamento	Rotary shaft Ø 100	Rad Ø 100 Drehbläser	Roue Ø100 superavvitement
30	1.105.503	6	Vite TSCE 6x20	Screw 6x20	Schraube 6x20	Vis 6x20
31	1.105.551	6	Vite TCCE 5x70	Screw 5x70	Schraube 5x70	Vis 5x70
32	1.105.122	6	Dado M5	Nut M5	Mutter M5	Ecrou M5
33	2.350.030	1	Spazzola centrale	Central brush	Mittelbürsten TK 500	Brosse centrale TK 500
34	2.100.014	1	Albero spazzola centrale	Brush shaft TK 500	Zentralbesenswelle TK 500	Arbre brosse TK 500
35	1.105.461	1	Chiavetta 5x5x15	Key 5X5X15	Keil 5X5X15	Clé 5X5X15
36	2.130.003	2	Distanziale albero spazzola	Spacer brush shaft	Besenswellespasstück	Ecarteuse arbre brosse

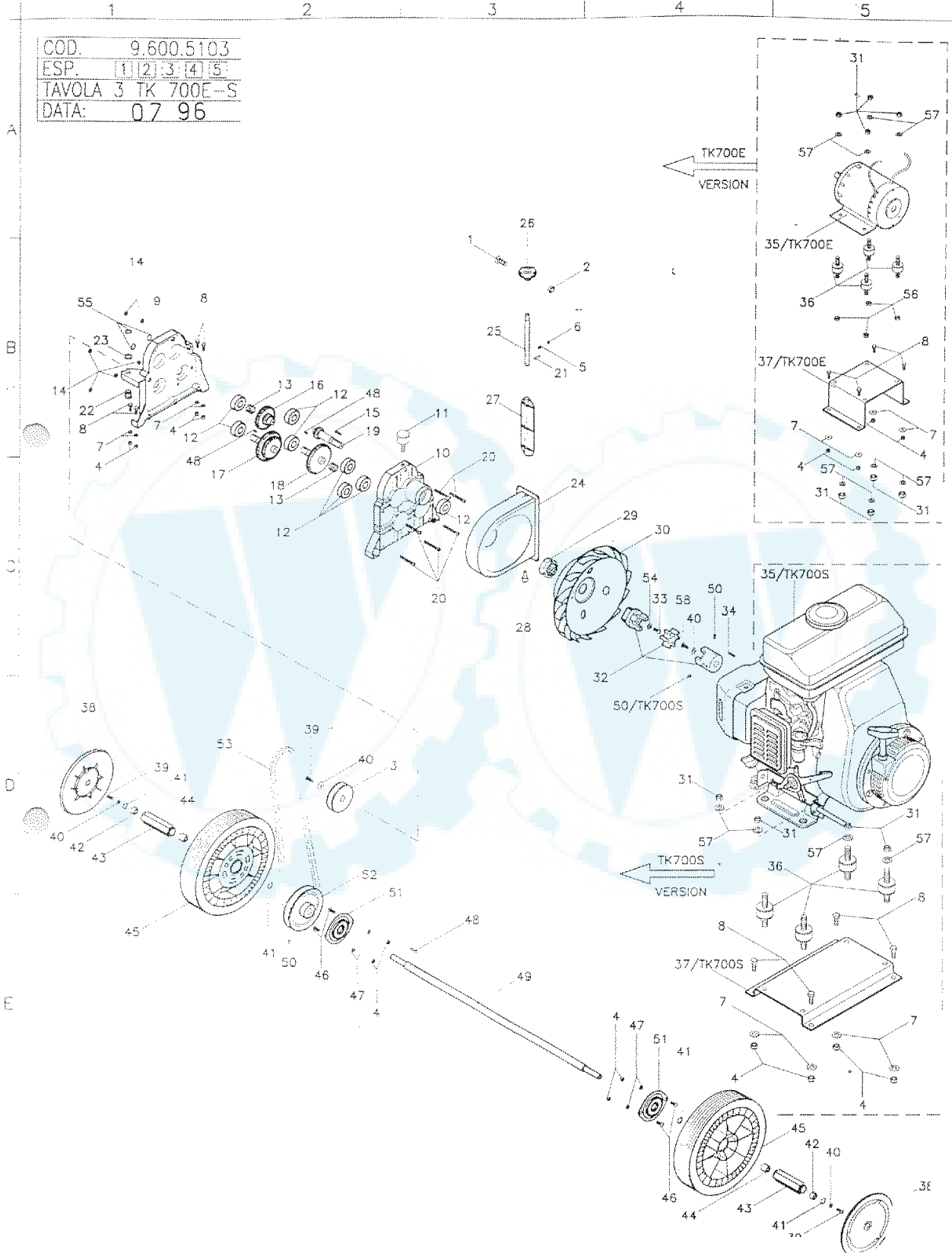
TK 700 ET - ST Tav.2

(1/1000 07/10/05)

		E-4	Grano 6x5	Dowel	Zapfen 6x5	Ergot 6x5
37	1.105.482	2	E-4	Grano 6x5	Dowel	Ergot 6x5
38	2.260.046	2	E-5	Supporto cuscinetto Ø 80	Ø 80 Kugellagersauflage	Support pour paliers Ø80
39	1.390.018	2	E-4	Cuscinetto 6003 2RS	Bearing 6003 2RS	Palier 6003 2RS
40	1.105.405	3	D-2	Seeger esterno Ø 15	Outer snap ring Ø 15	Bague d'arrêt externe Ø 15
41	1.105.420	4	E-5	Seeger esterno Ø 12	Outer snap ring Ø 12	Bague d'arrêt externe Ø 12
42	2.230.029	4	E-5	Perno fissaggio regolazione spazzola	Brush adjusting fixing pivot	Goujon réglage brosse
43	2.190.014	2	E-5	Stafila collegamento bilunconi	Rockers linking bracket	Étrier de liaison cultivateurs
44	2.195.001	2	C-1	Rondella in feltro per braccio laterale	Side arm's felt washer	Rondelle feutre pour bras lateral
45	1.390.013	2	D-2	Cuscinetto HK 1012	Bearing HK 1012	Palier HK 1012
46	1.105.230	2	D-2	Vite TBCE 8x10	Screw 8x10	Vis 8x10
47	2.130.011	1	C-1	Distanziale albero spazzola laterale	Side brush shaft spacer	Entroise arbre brosse laterale
48	1.105.124	2	B-2	Dado M8	Nut M8	Ecrou M8
49	2.250.069	1	D-2	Puleggia 2 gole	2 races pulley	Poulie à 2 gorges
50	1.105.135	1	F-5	Dado bloccante M 10	Block nut M 10	Ecrou bloccant M 10
51	1.105.325	2	F-1	Rondella 6x24	Washer 6x24	Rondelle 6x24
52	2.125.002	1	B-3	Guaina spazzola laterale	Side brush sheathing	Gaine brosse laterale
53	2.125.001	1	B-2	Cavo alzaspazzola laterale	Side brush lifting cable	Câble lève-brosse laterale en position
54	2.230.002	1	B-2	Perno CH17 h 34	Pin 17x34	Goujon 17x34
55	1.125.004	1	B-2	Morsetto Ø 7	Clamp Ø7	Etau Ø7
56	1.105.231	1	B-1	Vite TBCE 8x22	Screw 8x22	Vis 8x22
57	2.190.004	1	B-2	Leva sollevamento spazzola laterale	Side brush lifting lever	Levier soulèvement brosse laterale
58	1.105.327	1	B-1	Rondella 8x32	Washer 8x32	Rondelle 8x32
59	2.100.012	1	B-1	Anello cuscinetto spazzola laterale	Ring for the side brush bearing	Bague palier brosse laterale
60	1.260.029	6	B-1	Sfere 11/32"	Balls 11/32"	Boules 11/32"
61	2.100.019N	1	B-1	Anello dentato movimento spaz. later.	TK Side brush mov. toothed ring	Anneau denté mouvement TK
62	2.230.034	1	F-4	Perno aggancio molla	Spring fixing pin	Goujon pour attache ressort
63	2.110.012N	1	C-1	Boccola portacuscinetti	Bushing for bearings	Douille porte-paliers
64	1.390.012	2	C-1	Cuscinetto 6005 2RS	Bearing 6005 2RS	Palier 6005 2RS
65	2.100.020	1	C-1	Anello dentato folle	Idle toothed ring	Bague dentée folle
66	1.105.416	1	D-1	Seeger esterno Ø 25	Outer snap ring Ø 25	Bague d'arrêt externe Ø 25
67	1.105.136	2	E-3	Dado bloccante M12	Block nut M 12	Ecrou bloccant M 12
68	2.110.042	2	D-2	Distanziale Ø 10 h 15,6	Spacer	Entroise
69	2.250.079	1	D-2	Puleggia Ø 27x15	Pulley Ø 27X15	Poulie Ø 27X15
70	1.330.009	1	D-2	Cinghia Ø 8 Sv. 970	Belt Ø 8 x 970	Courroie 8 x 970
71	1.105.326	2	D-2	Rondella 8x24	Washer 8x24	Rondelle 8x24
72	2.260.024	1	D-2	Supporto spazzola laterale	Side brush support	Support brosse laterale
73	2.250.034	1	E-1	Flangia trascinamento spazzola later.	Side brush dragging flange	Étrier traînement brosse laterale
74	2.350.020	1	E-1	Spazzola laterale	Side brush	Brosse laterale
75	2.250.080	1	D-2	Puleggia Ø 30 x 15	Pulley Ø 30X15	Poulie Ø 30X15
76	1.105.160	3	E-1	Vite TEF 6x10	Screw 6x10	Vis 6x10

77	2.130.005	2	E-3	Distanziale	Spacer	Abstandstück	Entcroise	
78	1.330.017	1	C-2	Cinghia SPZ 737	SPZ 737 Belt	Riemen SPZ 737	Courroie SPZ 737	
79	2.200.031	1	C-5	Manglia regolazione spazzola centr.	Main brush adjustment handle	Z. Basen einstellungshandgriff	Poignée réglage brosse centrale	
80	1.110.020	1	C-5	Chiera zigrinata Ø 20 M12	Knurled ring nur, Ø 20 M12	Randelnummer Ø 20 M 12	Bague moulée Ø 20 M 12	
81	2.110.032	1	D-4	Blochetto regolazione spazzola centr.	Main brush adjustment block	Z. Basen einstellungsblock	Bloque réglage brosse centrale	
82	2.130.010	1	C-2	Distanziale Ø 12 h 7	Spacer Ø 12 h 7	Abstandstück Ø 12 h 7	Entcroise Ø 12 h 7	
83	2.250.077	1	C-2	Rullo tendicinghia	Belt tightener roll	Riemenspannrolle	Rouleau tendeur de courroie	
84	2.190.017	1	C-2	Staffa regolazione spazzola centrale	Centre brush adjustment bracket	Einstellbøgel Mittenbürste	Entier réglage brosse centrale	
85	2.205.015	1	D-2	Molla trazione	Traction spring	Zugfeder	Ressort traction	
86	1.105.230	1	D-2	Vite TBCE 8x10	Screw 8x10	Schraube 8x10	Vis 8x10	
87	1.105.234	1	C-2	Vite TBCE 6x10	Screw 6x10	Schraube 6x10	Vis 6x10	
88	1.105.306	4	C-3	Rondella 12x24	Washer 12x24	Scheibe 12x24	Rondelle 12x24	
89	2.290.008	2	C-3	Perno	Pin	Bolzen	Goujon	
90	1.105.305	4	C-3	Rondella 10x21	Washer 10x21	Scheibe 10x21	Rondelle 10x21	
91	2.250.078	1	C-1	Puleggia	Pulley	Scheibe	Poulie	
92	1.390.015	1	C-1	Cuscinetto IIK 1412	Bearing IIK 1412	Kugellager IIK 1412	Palier IIK 1412	





Rf. Code	N°	Rf.	Description	Description	Bezeichnung	Funktions	Partnumber
1.105.242	1	B-3	Vite TBCE 5x20	Screw 9x20	Schraube 5x20	Vis 5x20	
1.105.122	1	B-3	Dado M5	Nut M5	Mutter M5	Ecrus M5	
2.250.031	1	D-2	Puleggia trazione su riduttore	Reduction gear traction pulley	Getriebsantriebscheibe	Poulie traction sur reducteur	
1.105.133	12	E-4	Dado bloccante M 6	Locknut M 6	Selbstspernmutter M 6	Ecran autobloquant M 6	
2.205.013	1	B-3	Molla per coclea	Spring for air-conveyer	Schnecksfeder	Vis pour canalisateur d'air	
1.260.051	1	B-3	Sfera Ø 5	Balls Ø 5	Kugeln Ø 5	Billes Ø 5	
1.105.324	12	E-4	Rondella 6x18	Washer 6x18	Schneibe 6x18	Rondelle 6x18	
1.105.162	8	E-5	Vite TEF 6x16	Screw 6x16	Schraube 6x16	Vis 6x16	
2.195.003	1	B-1	Coperchio riduttore	Reduction gear cover	Getriebedeckel	Couvercle reducteur	
2.195.004	1	C-3	Corpo riduttore	Reduction gear body	Untersetzungsgetriebegehäuse	Corps reducteur	
1.320.004	1	B-3	Ingrassatore Staubf	Stauff Greaser	Stauff Schmiemittel	Lubrificateur Staubf	
1.390.009	8	B-2	Cuscinetto 6202 2RS	Bearings 6202 2RS	Lager 6202 2RS	Pallier 6202 2RS	
1.105.952	6	B-2	Spessoni 15x22x0,5	Shim 15x22x0,5	Zwischenlegescheibe 15x22x0,5	Eclon 15x22x0,5	
1.105.123	6	B-1	Dado M6	Nut M6	Mutter M6	Ecrus M6	
1.105.467	1	B-2	Cilindrata 5x5x20	5x5x20 Key	Keil 5x5x20	Cle 5x5x20	
2.250.074	1	B-2	Ingranaggio denti diritti riduttore	Reducer/straight toothed gear	Getriebsaufrehtszahnrad	Engrenage dents droits reducteur	
2.250.075	1	B-2	Ingranaggio denti diritti + elicoidali	Straight+helicoidal toothed gear	Aufrecht+schraubenflächiges Zahnrad	Engrenage dents droits+helicoidaux	
2.250.076	1	B-2	Ingranaggio denti elicoidali+elicoidali	Helicoidal+helicoidal toothed gear	Schraubentfl+schraubentfl Zahnrad	Engrenage dents droites+helicoidaux	
2.100.024	1	B-2	Albero dentato riduttore TEK	TEK reductor's toothed shaft	TEK Getriebszahnschwelle	Arbre denté reducteur TEK	
1.105.510	6	C-3	Vite TCCE 6x35	Screw 6x35	Schraube 6x35	Vis 6x35	
1.105.605	1	B-3	Spina 5x16	3x10 elastic catch	5x16 Elastisch Halung	Arrêt elastique 5x16	
2.110.038	1	B-1	Guida regolazione spazzola centrale	Main broom adjusting rail	Zentralbesens Einstellungsstahm	Guide réglage brosse centrale	
1.105.307	1	B-1	Rondella 15x28	Washer 15x28	Scheibe 15x28	Rondelle 15x28	
2.120.206	1	C-3	Coclea	Air conveyer	Schnecke	Canalisateur d'air	
2.100.022	1	B-3	Albero farfalla coclea	Air conveyer butterfly shaft	Drosselschnecksfeder	Arbre papillon du canalisateur d'air	
2.120.208	1	B-3	Manopola per farfalla	Handle for butterfly	Drosselklappenhandgriff	Poignée pour papillon	
2.120.207	1	B-3	Valvola farfalla NYLON	Butterfly valve nylon	Nylon Drosselklappe	Souppape papillon en Nylon	
2.290.009	1	C-3	Vite arresto farfalla	Butterfly stopping screw	Drosselklappes Haltingsschraube	Vis arrêt papillon	
2.110.024	1	C-3	Boccola Ø 40 x 30	Bushing Ø 40x30	Buchse Ø 40x30	Deuille Ø 40x30	
1.290.009	1	C-4	Ventola plastica	Plastic fan	Plastikflügelrad	Ventilateur en plastique	
1.105.134	8	D-4	Dado bloccante M 8	Locknut M8	Selbstspernmutter M8	Ecran autobloquant M8	
2.155.003	1	C-4	Giunto completo motore HONDA	HONDA motor complete joint	HONDA motor voll gelenk	Joint complete moteur HONDA	
2.155.030	1	C-4	Giunto completo motore ELETTRICO	ELECTRIC motor complete joint	ELECTRISCH motor voll gelenk	Joint complete moteur ELETTRIQUE	
1.105.502	2	C-4	Vite TSCE 6x16	Secrew 6x16	Schraube 6x16	Vis 6x16	
1.105.467	1	C-4	Chiave 5x5x20	5x5x20 Key	Keil 5x5x20	Cle 5x5x20	
1.340.009	1	D-5	Motore HONDA	HONDA motor	MOTOR HONDA	Moteur HONDA	
1.340.017	1	A-5	Motore elettrico	ELECTRIC motor	ELECTRIC motor	Moteur ELETTRIQUE	
1.370.005	4	D-5	Antivibr. 30x20 M8x16 (Ver. Honda)	Antivibrations 30x20 M8x16	Schwingungsdämpfer 30x20 M8x16	Antivibrations 30x20 M8x16	
1.370.002	4	B-5	Antivibr. 30x20 M8x25 (Ver. Electric)	Antivibrations 30x20 M8x25	Schwingungsdämpfer 30x20 M8x25	Antivibrations 30x20 M8x25	

Rif. Code	N°	Rif.	Descrizione	Description	Beschreibung	Description
37	2.190.012	1	E-5	Supporto motore HONDA	Motorhalterung HONDA	Support moteur HONDA
	2.260.050	1	B-5	Supporto motore elettrico TK 700	Motor support ELECTRIC	Support moteur ÉLECTRIQUE
	2.120.148	2	F-5	Copri ruota Ø 200 Azzurro	Blue wheel's cover Ø 200	Couvre roue Bleu Ø 200
	2.120.085	2	F-5	Copri ruota Ø 200 Bianco	White wheel's cover Ø 200	Couvre roue blanche Ø 200
38	2.120.149	2	F-5	Copri ruota Ø 200 Grigio	Grey wheel's cover Ø 200	Couvre roue gris Ø 200
	2.120.084	2	F-5	Copri ruota Ø 200 Rosso	Red wheel's cover Ø 200	Couvre roue rouge Ø 200
39	1.105.234	3	F-5	Vite TBCE 6x10	Screw 6X10	Vis 6X10
40	1.105.325	4	F-5	Rondella 6x24	Washer 6X24	Rondelle 6X24
41	1.105.418	4	F-5	Seeger esterno Ø 28	Outer snap ring Ø 28	Bague d'arrêt externe Ø 28
42	1.390.016	2	F-5	Cuscinetto HFL 1426 a rullini	HFL 1426 roller bearing	Palier HFL 1426 à rouleaux
43	2.110.033	2	F-5	Boccola esagonale	Exagonal bushing	Douille exagonale
44	1.390.015	2	F-5	Cuscinetto HK 1412 a rullini	HK 1412 roller bearing	Palier HK 1412 à rouleaux
45	2.250.071	2	F-4	Ruota gomma	Wheel Ø 250x55	Roue Ø 250x55
46	1.105.222	4	E-4	Vite TTDE 6x16	Screw 6x16	Vis 6x16
47	1.105.303	4	E-4	Rondella 6x12	Washer 6X12	Rondelle 6X12
48	1.105.461	3	E-3	Chinavetto 5x5x15	5x5x15 Key	Clé 5x5x15
49	2.100.021	1	E-2	Albero trazione TK 700	Drive shaft TK 700	Arbre traction TK 700
50	1.105.481	3	C-4	Giunto 6x10	Dowel 6x10	Ergot 6x10
51	1.390.017	2	E-2	Supporto SBPFL 203	Support SBPFL 203	Support SBPFL 203
52	2.250.004	1	D-2	Puleggia trazione	Traction pulley	Poulie traction
53	1.330.008	1	D-2	Cinghia Z 29.5	Belt Z 29.5	Courroie Z 29.5
54	2.150.024	1	C-4	Flangia di bloccaggio giunto Trasco	Trasco joint blocking flange	Bride de blocage du joint Trasco
55	1.105.405	3	B-1	Seeger esterno Ø 15	Outer snap ring Ø 15	Bague d'arrêt externe Ø 15
56	1.105.124	4	B-5	Dado M 8	Nut M 8	Ecrous M 8
57	1.105.304	4	A-5	Rondella 8x17	Washer 8x17	Rondelle 8x17
58	1.105.236	1	C-4	Vite TBCE 6x16	Screw 6X16	Vis 6X16

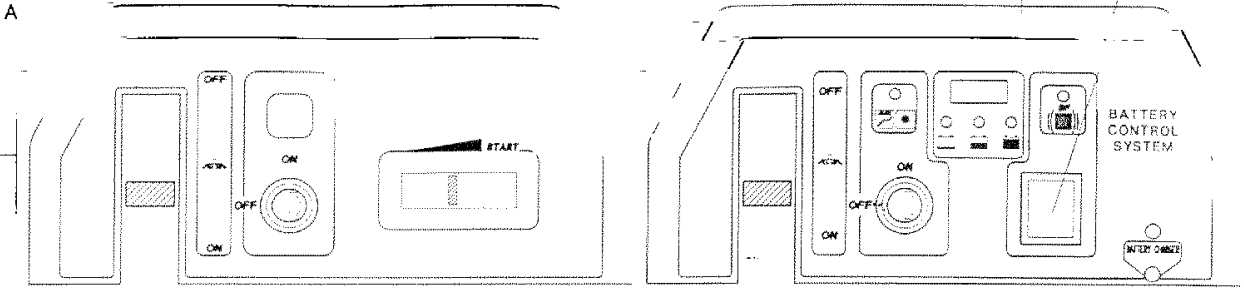
COD.	9.600.5004
ESP.	1) 2) 3) 4) 5)
TAVOLA	4 TK 700E-S
DATA:	07 96

1/TK700S

1/TK700F

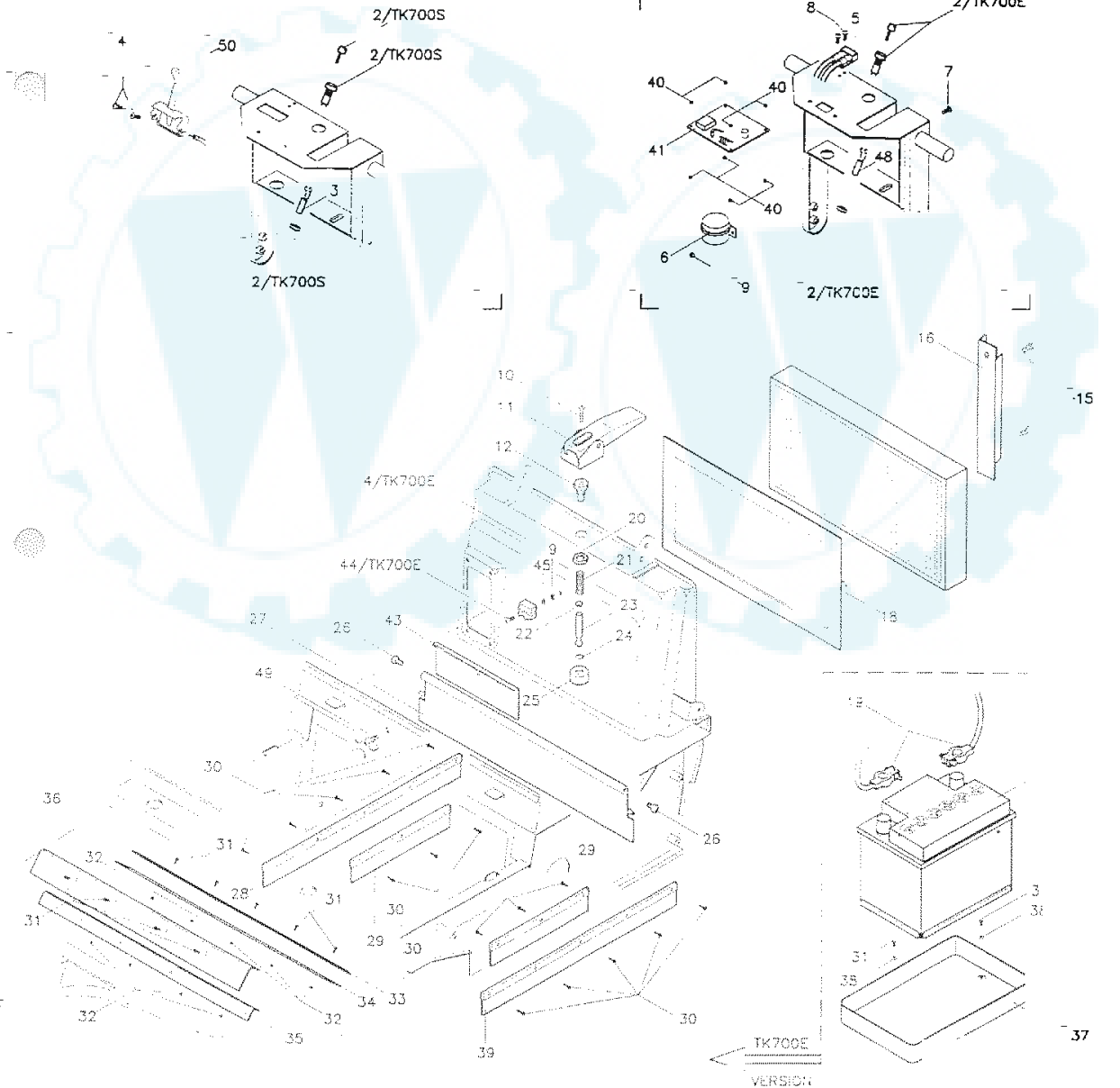
46 OPTIONAL

47 OPTIONAL



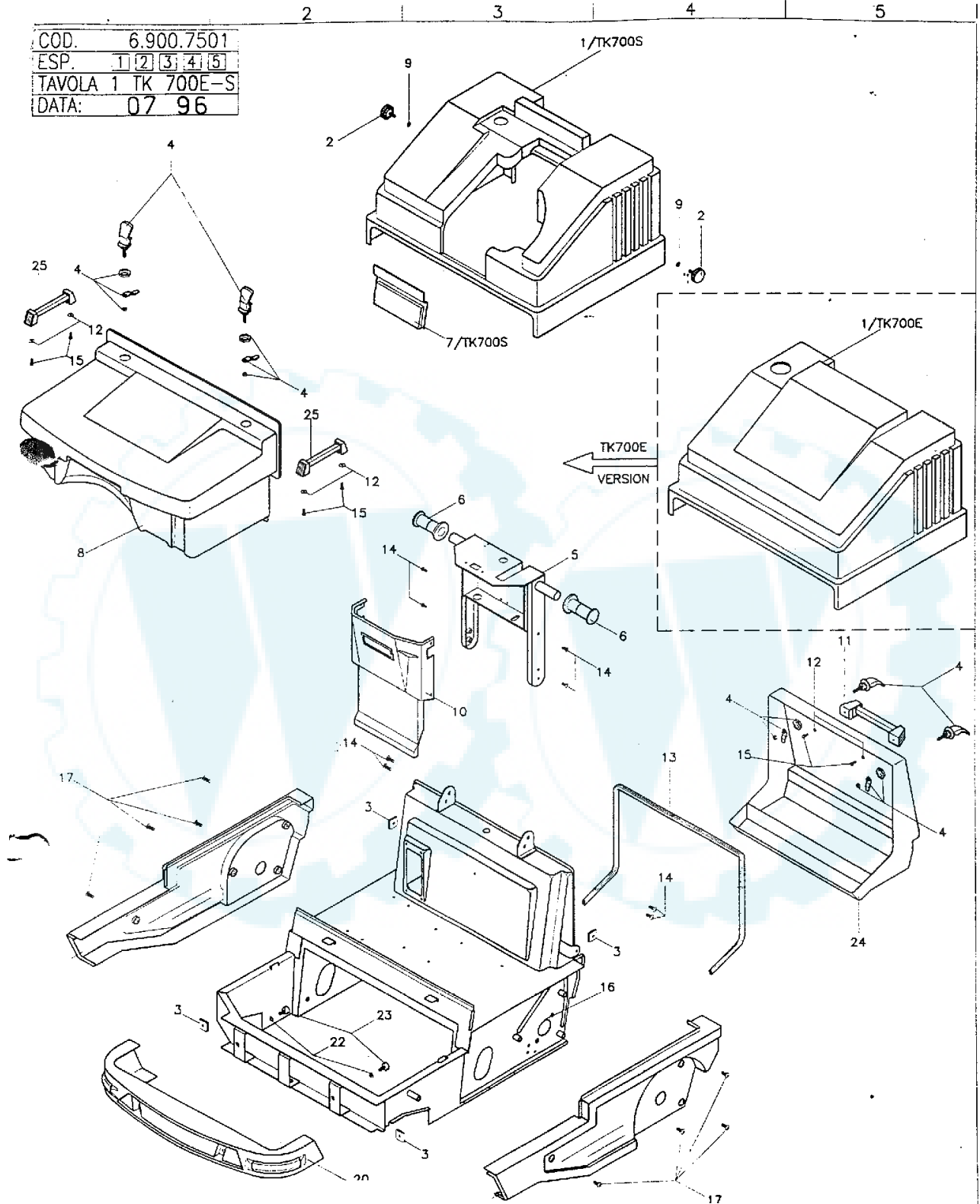
B TK700S VERSION

TK700E VERSION



A Code	Ref	Descriptione	Description	Beschreibung	Descriptioner	Description
6.911.071	1	A-2 Etichetta cruscotto TK 700 S	TK 700 S dashboard's plate	TK 700 S Armaturenbrettschild	Plaque tableau de bord TK 700 S	
6.911.070	1	A-5 Etichetta cruscotto TK 700 E	TK 700 E dashboard's plate	TK 700 E Armaturenbrettschild	Plaque tableau de bord TK 700 E	
1.380.1001	1	B-4 Interruttore a chiave per elettrica	Key switch	Schlüsselschalter	Interrupteur à Clé	
1.380.1002	1	B-2 Interruttore a chiave per scoppio	Key switch	Schlüsselschalter	Interrupteur à Clé	
1.180.008	1	C-2 Cavo per pulsante arresto	Stop button's cable	Haltdruckschaltkabel	Câble bouton arrêt	
1.105.023	2	C-1 Vite TEFR 5x12	Screw 5x12	Schraube 5x12	Vis 5x12	
1.380.008	2	B-4 Connettore carica batteria	Batt.Charger connector	Batt.Aufladersverbinder	Connecteur Chargeur de batterie	
1.380.031	1	C-4 Teleruttore T 106 12V	Remote switch	Fernschalter	Télérupteur	
1.105.234	2	C-5 Vite TBCE 6x10	Screw 6x10	Schraube 6x10	Vis 6x10	
1.105.363	2	B-4 Vite SLTC 5x20	Screw 5x20	Schraube 5x20	Vis 5x20	
1.105.133	3	C-4 Dado bloccante M 6	Block nut M 6	Block muter M 6	Ecrou bloquant M 6	
1.105.504	1	D-3 Vite TSCE 6x25	Screw 6x25	Schraube 6x25	Vis 6x25	
1.2.310.105	1	D-3 Leva scuofiltro TK completa	Complete filtershaker's lever	Voll. Filterrüttlershebel	Lever complet secouement de filtre	
2.165.005	1	D-3 Guida scuofiltro TK	Filtershaker's rail	Filterrüttlerführung	Siège secouement filtre	
2.125.023	1	C-1 Trasmissione comando acceleratore	Accelerator driving transmission	Flügelradbüchse	Transmission de accélérateur	
1.180.039	1	D-2 Marmut	Clamp	Klemme	Etau	
1.105.064	2	D-5 Vite FE 8x25	Screw 8x25	Schraube 8x25	Vis 8x25	
2.260.027	1	D-5 Staffa fissaggio filtro	Filter fixing bracket	Haltebügel f. Filter	Etrier fixation filtre	
2.360.003	1	D-4 Filtro TK 700	Filter TK 700	Filter TK 700	Filter TK 700	
2.160.087	1	D-4 KIT mousse per filtro TK 700	Filter gaskets kit TK 700	Filterdichtungen TK 700	Kit joints filtre TK 700	
1.180.018	1	E-4 Impianto elettrico TK 700	Electre installation TK 700	Elektrische Anlage TK 700	Installation électrique TK 700	
1.105.221	1	D-3 Dado M18	Nut M18	Mutter M18	Ecrou M18	
2.205.006	1	D-3 Molla compressione scuofiltro	Filtershaker' spring	Filterrüttlersfeder	Ressort secouement filtre	
1.160.049	1	D-3 Guarnizione OR 106	OR 106 Gasket	OR 106 Dichtung	Joint OR 106	
2.230.018	1	D-3 Perno a sfera	Pin	Kugelpinbolzen	Goujon	
1.105.702	1	E-3 Seeger interno Ø 16	Inner snap ring Ø 16	Innenseger Ø 16	Bague d'arrêt interne Ø 16	
2.205.007	1	E-3 Mezza snodata	Articulated bar	Gelenkbar	Barre articulée	
1.105.232	2	E-3 Vite TBCE 10x16	Screw 10x16	Schraube 10x16	Vis 10x16	
2.160.062	1	E-3 Flap posteriore TK 700	Backside flap TK 700	Hinterklappe TK 700	Flap arrière TK 700	
2.160.036	1	E-2 Flap laterale destro TK500/TK700	Right side flap TK500/TK700	Rechtsseitenklappe TK500/TK700	Flap latéral droite TK500/TK700	
2.160.055	2	E-2 Flap interno telaio TK	Inner flap TK	Innenklappe TK	Flap interne TK	
1.105.356	16	E-2 Vite autofil. TC 3,5x9,5	Screw 3,5x9,5	Schraube 3,5x9,5	Vis 3,5x9,5	
1.105.002	11	F-1 Vite TE 4x16	Screw 4x16	Schraube 4x16	Vis 4x16	
1.105.121	1	F-2 Dado M4	Nut M4	Mutter M4	Ecrou M4	
2.150.027	1	F-2 Fermo gomma	Rubber fixer	Gummihalter	Arrête-caoutchouc	
2.160.076	1	F-2 Gomma	Rubber	Gummi	Caoutchouc	
2.150.026	1	F-2 Fermo flap	Flap fixer	Klappenhalter	Ferme flap	
2.160.077	1	F-1 Flap	Flap	Schutzklappe	Flap	
2.120.125	1	F-5 Contenitore portabatteria	Battery container	Batterienbehälter	Conteneur batterie	

COD.	6.900.7501
ESP.	1 2 3 4 5
TAVOLA	1 TK 700E-S
DATA:	07 96



ELENCO COMPONENTI PREASSEMBLATI
PRE-ASSEMBLED PARTS LIST
VERMONTIERTE ERSAZTEILE
LISTE DES COMPOSANTES PRE-ASSEMBLES

Rif.	Code	Descrizione	Descrizione	Beschreibung	Description
	2.300.114	Cassetto anteriore completo Bianco	TK 700 Complete White front drawer	Voll. TK 700 Weiss Vorderschmutzbehälter	Bac avant Blanche complet TK 700
	2.300.117	Cassetto anteriore completo Blu	TK 700 Complete Blue front drawer	Voll. TK 700 Blau Vorderschmutzbehälter	Bac avant Bleu complet TK 700
PAV.1	2.300.092R	Cassetto anteriore completo Rosso	TK 700 Complete Red front drawer	Voll. TK 700 Rot Vorderschmutzbehälter	Bac avant Rouge complet TK 700
	2.300.094G	Cassetto posteriore completo Grigio	TK 700 Complete Grey back drawer	Voll. TK 700 Grau Hinterschmutzbehälter	Bac avant Gris complet TK 700
	2.310.295	Manico TK 700 ET completo	TK 700 ET complete handle	Voll. TK 700 ET Handgriff	Poignée complete TK 700 ET
	2.310.296	Manico TK 700 ST completo	TK 700 ST complete handle	Voll. TK 700 T Handgriff	Poignée complete TK 700 ET
	2.125.049	Leva alzaspazzola laterale completa	Complete brush-lifting lever	Voll. Besenhebersichel	Lever lev-brosse complète
	2.310.127	Spazzola laterale completa PPL 70	Complete side brush PPL 70	Voll. Seitenbesen PPL 70	Brosse latérale complète PPL 70
PAV.2	2.315.008	Anello dentato folle completo	Complete idle tooth ring	Voll. leer zahnring	Bague dentée vide complète
	2.315.003	Anello movimento completo	Complete movement ring	Voll. Bewegungsring	Bague de mouvement complète
	2.310.099N	Ruota Destra completa	Complete right wheel	Voll. Rechte Rad	Roue droite complète
PAV.3	2.310.100N	Ruota Sinistra completa	Complete left wheel	Voll. Linkse Rad	Roue gauche complète
	2.310.117	Supporto cuscinetto completo	Complete support	Vollständig Auflage	Support complet
	2.310.135	KIT flap cassetto anteriore TK 700	TK 700 front drawer flap's kit	TK 700 Vorderrägerklappen Kit	Caoutchouc du bac avant TK 700
PAV.4	2.310.121	KIT flap telaio TK 700	TK 700 frame flap's kit	TK 700 Rahmenklappen Kit	Caoutchouc du châssis TK 700
	2.160.087	KIT flap filtro TK 700	TK 700 Filter flap's kit	TK 700 Filterklappen Kit	Caoutchouc du filtre TK 700
	2.310.106	Mazza snodata scuotifiltro completa	Complete filtershaker jointed rod	Voll. Gelenkbar	Barre articulée complète

TK 700 ET - ST Premont.
 (Vers. 07 / 96)