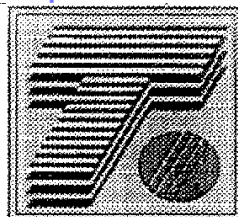
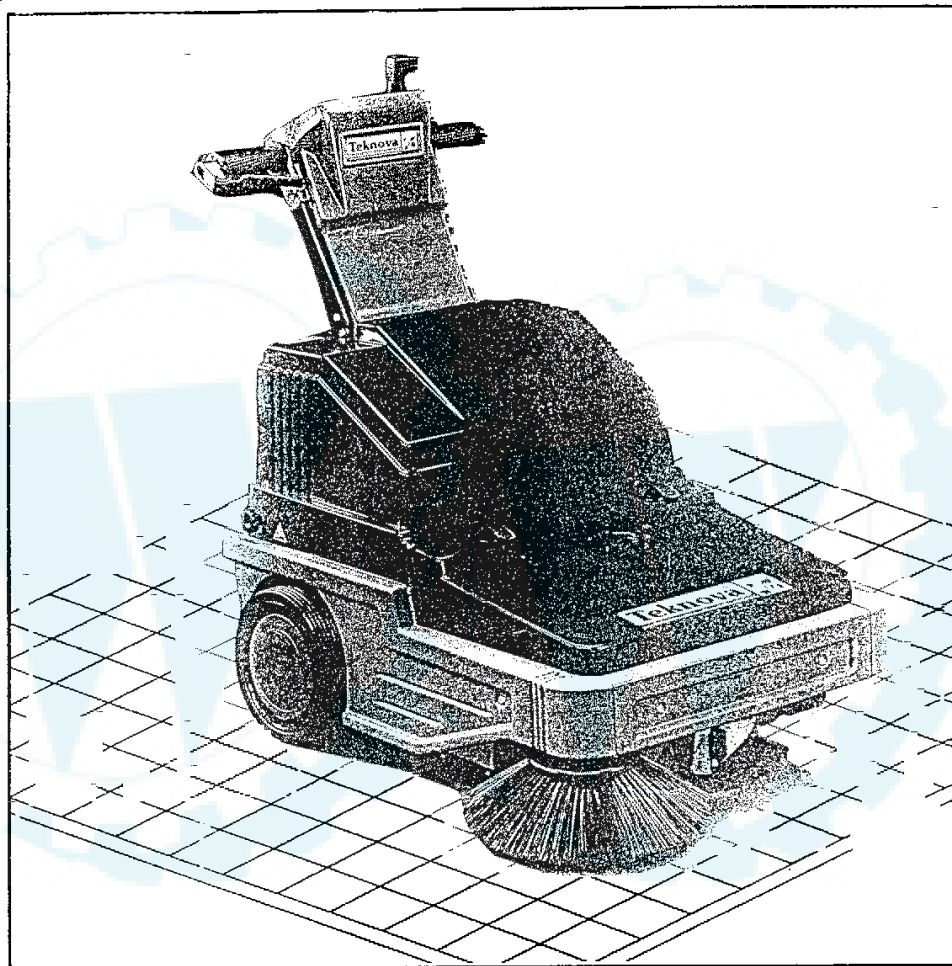


Teknova[®]

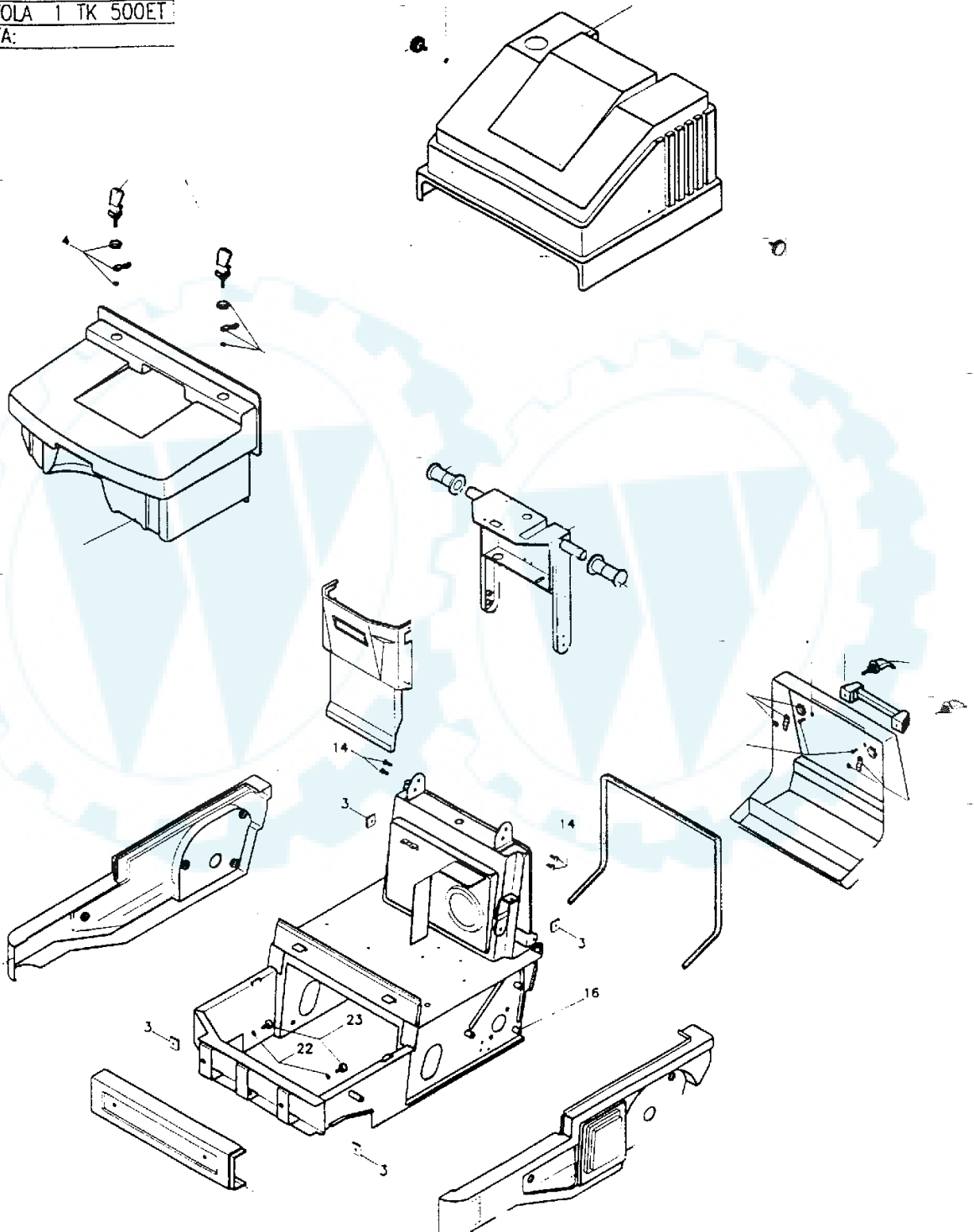


TK 500 ET



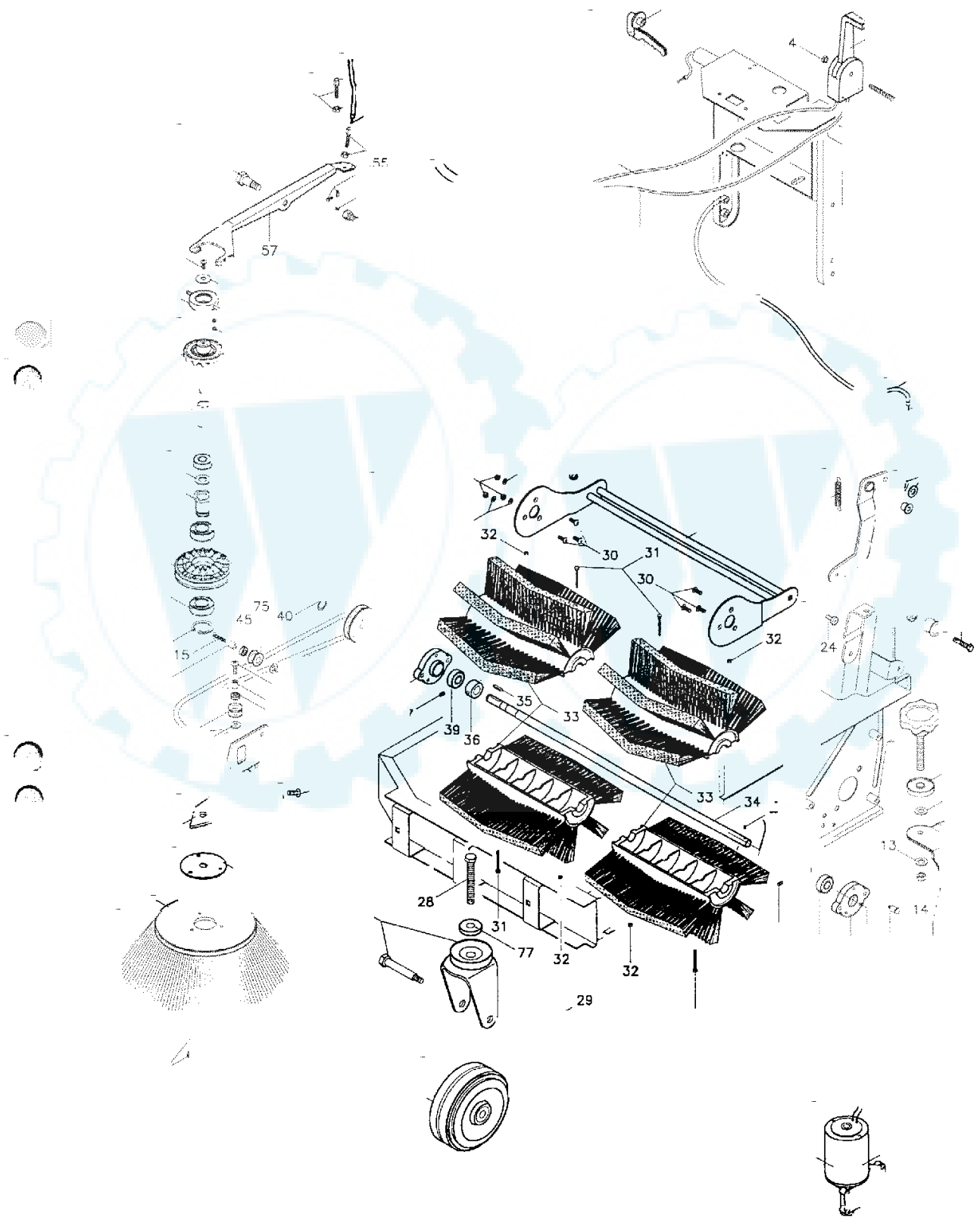
PARTI DI RICAMBIO
ERSATZTEILE
SPARE PARTS
PIECES DETACHÉES
RECAMBIOS

COD. 9.600.5001
ESP. 1 2 3 4 5
TAVOLA 1 TK 500ET
DATA:



Rif.	Code	N°	Rif.	Descrizione	Partecipazioni	Beschreibung	Description	Dettaglio
	2.120.024	1	A-4	Cofano superiore TK500 ET Rosso	Red Upper cover TK 500 E	Rot Oberdeckel TK 500 E	Capot Superior Rouge TK 500 E	
1	2.120.108	1	A-4	Cofano superiore TK500 ET Bianco	White Upper cover TK 500 E	Weiss Oberdeckel TK 500 E	Capot Superior Blanche TK 500 E	
	2.120.214	1	A-4	Cofano superiore TK500 ET Blu	Blue Upper cover TK 500 E	Blau Oberdeckel TK 500 E	Capot Supérieur Bleu TK 500 E	
2	1.320.030	2	A3	Volantino Ø 40 M8x15	Knob Ø 40 M8X15	Knopf Ø 40 M8x15	Pommeau Ø40 M 8X15	
3	1.105.201	4	E-2	Dado ingabbiato M8	Nut M 8	Mutter M 8	Ecrou M 8	
4	2.300.111	4	B-1	Serratura TEK Completa	TEK locking	TEK-Schließung	Tek Serrure	
5	2.300.200	1	C-5	Manico TK Elettrico verniciato	Handgrip TK500 E painted	Lenkstange TK 500 E lackiert	Poignée TK 500 E verni	
6	1.200.040	2	C-3	Manopola in gomma nera Ø24/24	Rubber handle cover Ø 24/24	Lenkstangengummideckung Ø 24/24	Couvre-guidon en caoutch. Ø 24/24	
	2.120.107	1	C-1	Cassetto anteriore TK 500 Bianco	White front drawer TK 500	Weiss Vorder Schmutzbehälter TK500	Bac avant blanche TK 500	
6	2.120.213	1	C-1	Cassetto anteriore TK 500 Blu	Blue front drawer TK 500	Blau Vorder Schmutzbehälter TK500	Bac avant bleu TK 500	
	2.120.022	1	C-1	Cassetto anteriore TK 500 Rosso	Red front drawer TK 500	Rot Vorder Schmutzbehälter TK500	Bac avant rot TK 500	
10	2.120.235	1	D-3	Carter chiusura manico Grigio	Grey cable casing for the handle	Grau Handgriffkabelmantel Gehäuse	Carter couvre-câbles poignée grise	
11	2.310.097	1	D-5	Manglia Completa	Complete handle L. 183	Vollst. Handgriff	Poignée complete	
12	1.105.325	2	D-5	Rondella 6x24x2	Washer 6x24x2	Scheibe 6x24x2	Rondelle 6x24x2	
13	1.320.048	1.5 Mt	D-4	Guarnizione trafilato armato	Reinforced gasket	Verstärkt dichtung	Joint renforcé	
14	1.105.236	8	D-3	Vite TBCE 6x16	Screw 6x16	Schraube 6x16	Vis 6x16	
15	1.105.361	2	D-5	Vite autofilante TPEFR 6,3x19	Screw 6,3x19	Schraube 6,3x19	Vis 6,3x19	
	2.270.082	1	E-3	Telaio TK 500 E Pantone	Frame TK 500 E	Rahmen TK 500 E	Rahmen TK 500 E	
16	2.270.062	1	E-3	Telaio TK 500 E RAL 7001	Frame TK 500 F. RAL. 7001	Rahmen TK 500 E RAL. 7001	Rahmen TK 500 E RAL 7001	
	2.270.099	1	E-3	Telaio TK 500 E Nero	Frame TK 500 E Black	Rahmen TK 500 E Schwarz	Rahmen TK 500 E Noir	
17	1.105.230	8	D-1	Vite TBCE 8x10	Screw 8x10	Schraube 8x10	Vis 8x10	
	2.120.110	1	E-1	Carter laterale DX TK500F Azzurro	Blue Right side casing TK500 B.	Blau Rechseiteengehäuse TK500E	Carter latéral droit TK500E Blue	
18	2.120.021	1	E-1	Carter laterale DX TK500F Grigio	Gray Right side casing TK500 E.	Grau Rechseiteengehäuse TK500E	Carter latéral droit TK500E Gris	
	2.120.199	1	E-1	Carter laterale DX TK500E Nero	Black Right side casing TK500 E	Schwarz Rechseiteengeh. TK500E	Carter latéral droit TK500E Noire	
19	2.120.111	1	F-3	Carter laterale SX TK500E Azzurro	Blue Left side casing TK500 E	Blau Linksseiteengehäuse TK500E	Carter latéral gauche TK500E Blue	
	2.120.018	1	F-3	Carter laterale SX TK500E Grigio	Gray left side casing TK500 E	Grau Linksseiteengehäuse TK500E	Carter latéral gauche TK500E Gris	
	2.120.200	1	F-3	Carter laterale SX TK500E Nero	Black Left side casing TK500 E	Schwarz Linksseiteengehäuse TK500E	Carter latéral gauche TK500E Noire	
	2.120.112	1	F-2	Carter frontale TK500 Azzurro	Blue Front casing TK 500	Blau Frontgehäuse TK 500	Carter frontal TK 500 Blue	
20	2.120.019	1	F-2	Carter frontale TK500 Grigio	Gray Front casing TK 500	Grau Frontgehäuse TK 500	Carter frontal TK 500 Gris	
	2.120.201	1	F-2	Carter frontale TK 500 Nero	Black Front casing TK 500	Schwarz Frontgehäuse TK 500	Carter frontal TK 500 Noire	
21	1.105.239	2	F-1	Vite TBCE 8x16	Screw 8x16	Schraube 8x16	Vis 8x16	
22	1.105.123	2	E-2	Dado M6	Nut M 6	Mutter M 6	Ecrou M6	
23	1.370.003	2	E-2	Piedino 20x9 M6x18	Foot 20x9 M6X18	Fuß 20x9 M6x18	Pied 20X9 M6X18	
	2.120.109	1	D-5	Cassetto posteriore TK 500 Azzurro	Blue back drawer TK 500	Blau Hintersch. behälter TK 500 E	Bac arrière TK 500E Blue	
24	2.120.023	1	D-5	Cassetto posteriore TK 500 Grigio	Gray back drawer TK 500	Grau Hintersch. behälter TK 500 E	Bac arrière TK 500E Gris	
	2.120.202	1	D-5	Cassetto posteriore TK 500 Nero	Black back drawer TK 500	Schwarz Hintersch. behälter TK500E	Bac arrière TK 500E Noir	
25	1.105.304	2	B-4	Rondella 8x17	Washer 8x17	Scheibe 8x17	Rondelle 8x17	

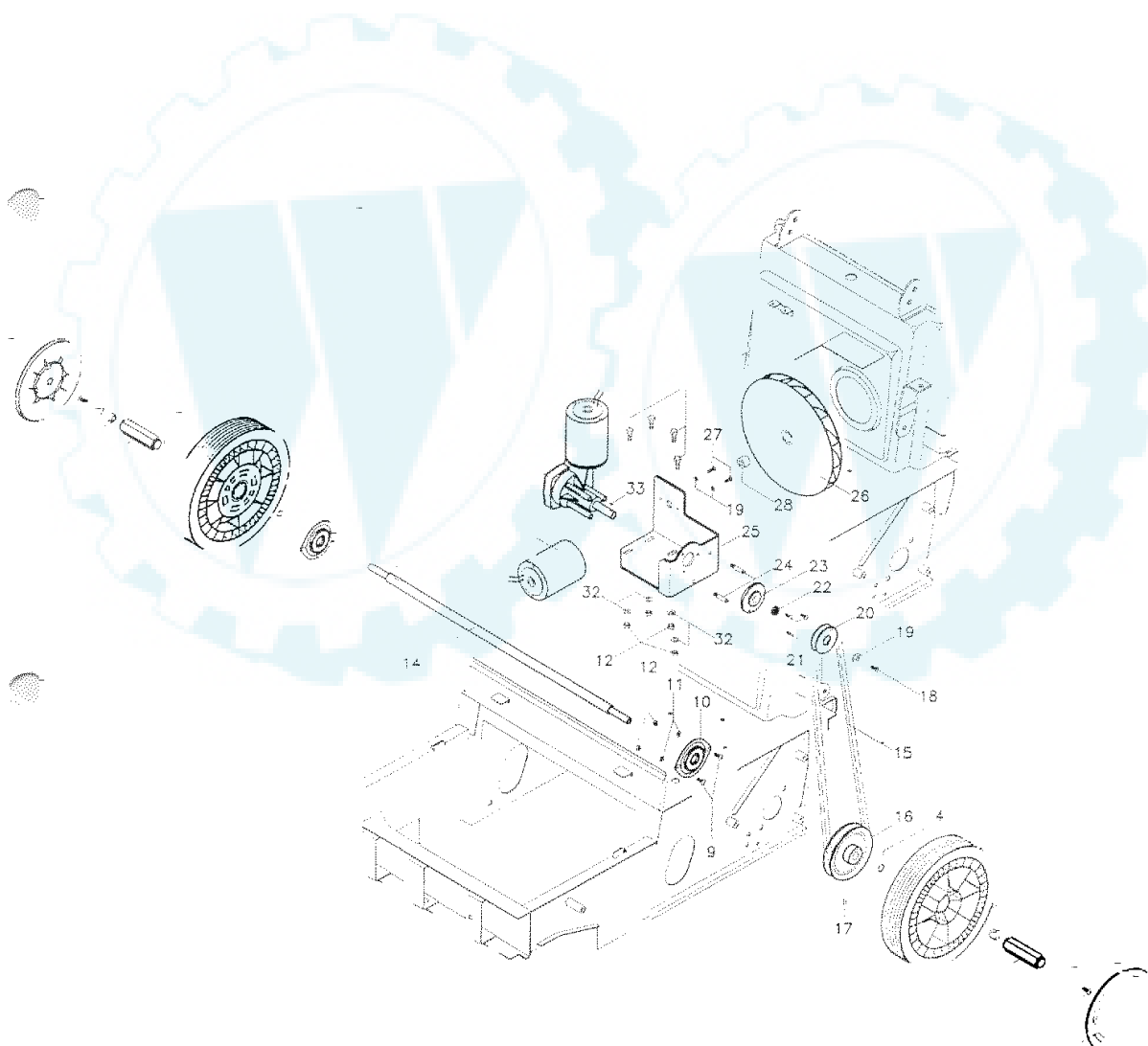
COD.	9.600.5002
ESP.	1 2 3 4 5
TAVOLA	2 TK 500E
DATA	0796



Part No.	Description	Accessories	Part Name
1	2.125.017A	1	B-4 Guaina alzaspazzola laterale
2	2.310.123	1	A-4 Maniglia trazione TK completa
3	1.105.229	3	A-2 Registro tornito Ø 7
4	1.125.005	1	A-5 Leva comando alzaspazzola later.
5	1.105.162	1	F-1 Vite TEFR 6x16
6	1.105.303	6	C-3 Rondella 6x12
7	1.320.031	1	D-5 Volantino Ø60 M12x67
8	1.110.005	1	D-5 Ghiera zigrinata Ø 40 M12
9	2.125.015	1	C-5 Guaina cavo trazione
10	2.125.015 C	1	C-5 Cavo trazione
11	1.105.485	2	C-5 Grano 5x6
12	2.290.004	2	C-5 Vite CH 17 h 28 fissaggio filo
13	1.105.304	7	C-5 Rondella 8x17
14	1.105.124	3	C-5 Dado bloccante M8
15	1.105.238	3	C-5 Vite TBCE 8x25
16	2.110.025	1	C-5 Boccia leva tendicinghia
17	2.205.005	1	C-5 Molla trazione TK 500
18	2.290.001	1	D-5 Vite bloccaggio rullo tendicinghia
19	2.250.001	1	D-5 Rullo tendicinghia h 15
20	1.390.005	1	D-5 Cuscinetto 608 2RS
21	1.105.701	1	D-5 Seeger interno Ø 22
22	2.130.001	1	D-5 Distanziale Ø12 h 3,5
23	2.190.011E	1	C-5 Staffa tendicinghia TKE
24	2.290.007	2	C-3 Perno per bilancere
25	2.110.016	2	C-3 Boccia per bilancere
26	2.110.017	1	C-4 Bilancere TK 500
27	1.105.133	6	C-3 Dado bloccante M 6
28	1.105.094	1	E-3 Vite TE 12x40
29	1.250.067	1	E-3 Ruota Ø 100 supporto girovoile
30	1.105.503	6	D-4 Vite TSGE 6x20
31	1.105.551	4	C-3 Vite TCCE 5x70
32	1.105.122	4	C-3 Dado M5
33	2.350.027	1	D-3 Spazzola centrale
34	2.100.009	1	D-4 Albero spazzola centrale
35	1.105.461	1	D-3 Chivavetta 5x5x15
36	2.130.003	2	E-4 Distanziale albero spazzola
37	1.105.482	2	E-4 Grano 6x5
38	2.260.028	2	E-5 Supporto cuscinetto Ø 80
39	1.390.009	2	E-4 Cuscinetto 6202 2RS
40	1.105.405	3	D-2 Seeger esterno Ø 15
			A-brush sheathing
			Traction handle TK
			Turned adjuster Ø 7
			Sidebrush drive lever
			Screw 6x16
			Washer 6x12
			Handwheel, Ø 60 12x67
			Knurled ring nut, Ø40 M12
			Drive cable sheath
			Drive cable
			Dowel 5x6
			Wire fixing screw
			Washer 8x17
			Block nut M 8
			Screw 8x25
			Belt tightener lever's b.
			TK 500 traction spring
			Fixing screw belt tightener roller
			Belt tightener roll h15
			Bearing 608 2RS
			Inner snap ring Ø 22
			Spacer
			TKE belt tightener bracket
			Pin for rocker
			Rocker bushing
			TK 500 Rocker
			Block nut M 6
			Screw 12x40
			Rotary support wheel Ø100
			Screw 6x20
			Screw 5x70
			Nut M5
			TK 500 centre brush
			Brush shaft TK 500
			Key 5X5X15
			Spacer brush/shaft
			Dowel 6x5
			Ø80 Bearing support
			Bearing 6202 2RS
			Outer snap ring Ø 15
			Seitenbesenhduse
			Zughandriff TK
			Geignete Regler Ø 7
			Sitenbesensteuerhebel
			Schraube 6x16
			Scheibe 6x12
			Handrad Ø 60 12x67
			Rändelnuttmutter Ø 40 M12
			Antriebskabelhduse
			Antriebskabel
			Zapfen 5x6
			Kabelbefestigungsschraube
			Scheibe 8x17
			Block mutter M 8
			Schraube 8x25
			Riemenspannrollesbüchse
			Zugfeder TK 500
			Befestigungssch. Riemenspannrolle
			Riemenspannrolle h15
			Kugellager 608 2RS
			Innenseeger
			Abstandstück
			Riemenspannbolge TKE
			Zapfen Kipphebel
			Kipphebelbüchse
			TK 500 Kipphebel
			Block mutter M 6
			Schraube 12x40
			Rad Ø 100 Drehlager
			Schraube 6x20
			Schraube 5x70
			Mutter M5
			Mittenbürsten TK 500
			Zentralbesenwelle TK 500
			Keil 5X5X15
			Besenwellespastsandstück
			Zapfen 6x5
			Ø 80 Kugellagersauflage
			Kugellager 6202 2RS
			Ausserseeger Ø 15
			Gainne brosse laterale
			Poignée traction TK
			Barre de réglage tournée Ø 7
			Lever de command brosse laterale
			Vis 6x16
			Rondelle 6x12
			Volant Ø 60 12x67
			Bague muletée Ø 40 M 12
			Gainne câble traction
			Câble traction
			Ergot 5x6
			Vis fixation câble
			Rondelle 8x17
			Ecrou bloquant M 8
			Vis 8x25
			Douille tendeur de courroie
			Ressort traction TK 500
			Vis de blocage tend. de courroie
			Rouleau tendeur de courroie h15
			Palier 608 2RS
			Bague d'arrêt interne Ø 22
			Entretroise
			Etrier tendeur de courroie TKE
			Goujon pour culbuteur
			Douille culbuteur
			Culbuteur TK 500
			Ecrou bloquant M 6
			Vis 12x40
			Roue Ø100 support pivotant
			Vis 6x20
			Vis 5x70
			Ecrou M5
			Brosse centrale TK 500
			Arbre brosse TK 500
			Clé 5X5X15
			Entretroise arbre brosse
			Ergot 6x5
			Support pour paliers Ø80
			Palier 6202 2RS
			Bague d'arrêt externe Ø 15

Nr.	Code	Titel	Description	Beschreibung	Abbildung
41	1.105.420	E-5	Seeger esterno Ø 12	Outer snap ring Ø 12	Ausserseeger Ø 12
42	2.230.029	E-5	Perno fissaggio regolazione spazzola	Brush adjusting fixing pivot	Einstellbolzen zentralb.
43	2.190.005	E-5	Staffa regolazione spazzola centrale	Main brush adjustment bracket	Einstellbügel Mittenbürste
44	2.105.001	C-1	Rondella in feltro per braccio laterale	Side arm's felt washer	Seiten auflage filzscheibe
45	1.390.013	D-2	Cuscinetto HK 1012	Bearing HK 1012	Kugellager HK 1012
46	1.105.230	D-2	Vite TBCE 8x10	Screw 8x10	Schraube 8x10
47	2.130.011	C-1	Distanziale albero spazzola laterale	Side brush shaft spacer	Abstandstück f. seitenbesenwelle
48	1.105.124	B-2	Dado M8	Nut M8	Mutter M8
49	2.250.019	D-2	Puleggia spazzola laterale TKE	Pulley	Scheibe
50	1.340.008	F-5	Motoriduttore Ø 77	Gearmotor Ø77	Motorreduktur Ø77
51	1.105.325	F-1	Rondella 6x24	Washer 6x24	Scheibe 6x24
52	2.125.017B	B-3	Guaina spazzola laterale	Side brush sheathing	Seitenbesenhülse
53	2.125.018	B-2	Cavo alzaspazzola laterale	Side brush lifting cable	Bürstenhebelkabel, seitlich, nachmass
		B-2	Perno CH17 h 34	Pin 17x34	Bolzen 17x34
		B-2	Morsetto Ø 7	Clamp Ø7	Klemme Ø7
		B-1	Vite TBCE 8x22	Screw 8x22	Schraube 8x22
		B-2	Leva sollevamento spazzola laterale	Side brush lifting lever	Seitliche Bürstenhebesebel
	15.327	B-1	Rondella 8x32	Washer 8x32	Scheibe 8x32
		B-1	Anello cuscinetto spazzola laterale	Ring for the side brush bearing	Seitliche Bürstenlagerring
60	1.260.029	B-1	Anello cuscinetto spazzola laterale	Balls 11/32"	Boules 11/32"
61	2.100.019N	B-1	Anello dentato movimento spaz. later.	TK Side brush mov. toothed ring	TK Seitenbesens Zahnring
62	1.105.463	F-4	Chiavetta 3x3,7	Key 3x3,7	Keil 3x3,7
63	2.110.012N	C-1	Boccola portacuscinetto	Pushing for bearings	Büchse, Nedellagerträger
64	1.390.012	C-1	Cuscinetto 6005 2RS	Bearing 6005 2RS	Kugellager 6005 2RS
65	2.100.020	C-1	Anello dentato folle	Idle toothed ring	Leerzahnring
66	1.105.416	D-1	Seeger esterno Ø 25	Block nut M 12	Ausserseeger Ø 25
67	1.105.136	E-3	Dado bloccante M12	Block nut M 12	Bloek mutter M 12
68	2.110.042	D-2	Distanziale Ø 10 h 15,6	Spacer	Abstandstück
69	2.250.079	D-2	Puleggia Ø 27x15	Pulley Ø 27x15	Scheibe Ø 27x15
70	1.330.009	D-2	Cinghia Ø 8 Sv. 970	Belt Ø 8 x 970	Riemen 8 x 970
71	1.105.326	D-2	Rondella 8x24	Washer 8x24	Scheibe 8x24
72	2.260.024	D-2	Supporto spazzola laterale	Side brush support	Seitenbesenräger
73	2.250.034	E-1	Fiangia trascinamento spazzola later.	Side brush dragging flange	Mitnehmflansch Seitenbesen
74	2.350.020	E-1	Spazzola laterale	Side brush	Seitenbesen
75	2.250.080	D-2	Puleggia Ø 30 x 15	Pulley Ø 30x15	Scheibe Ø 30x15
76	1.105.160	E-1	Vite TEFR 6x10	Screw 6x10	Schraube 6x10
77	2.130.005	E-3	Distanziale	Spacer	Abstandstück
78	1.390.015	C-1	Cuscinetto HK 1412	Bearing HK 1412	Kugellager HK 1412

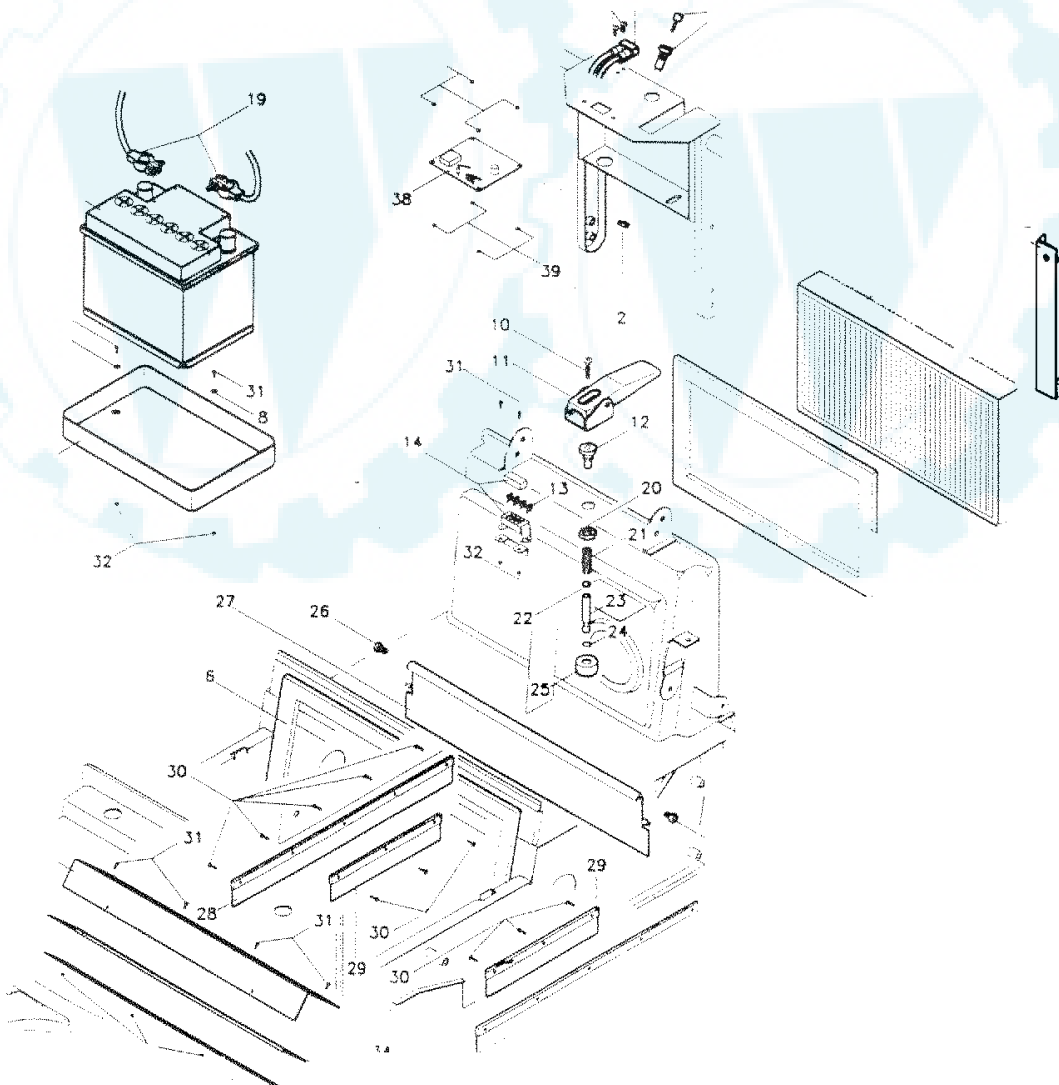
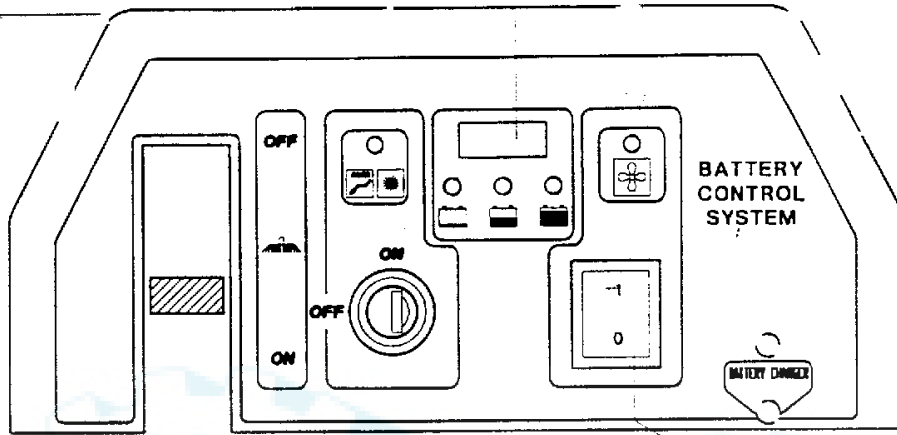
CODI	4 600 5003
ESP	
TAVOLA	3 TK 500E1
DATA:	07 96



Rf. Code	N°	RM	Description	Dischreibu	Bestellnum
2.120.148	2	C-1	Copriruota Ø 200 Azzurro	Biau Raddeckel Ø 200	Couvre roue Bleu Ø 200
2.120.085	2	C-1	Copriruota Ø 200 Bianco	Weiss Raddeckel Ø 200	Couvre roue blanche Ø 200
2.120.149	2	C-1	Copriruota Ø 200 Grigio	Gräu Raddeckel Ø 200	Couvre roue Gris Ø 200
2.120.084	2	C-1	Vite IBCØ 6x10	Schraube 6x10	Vis 6x10
2.120.084	2	C-1	Rondella 6x24	Scheibe 6x24	Rondelle 6x24
4.1.105.418	4	C-1	Seccer esterno Ø 28	Aussenseeger Ø 28	Flange d'arrêt externe Ø 28
5.1.390.016	5	C-1	Cuscinetto IHL 1426	Lager IHL 1426	Radio IHL 1426
6.12.140.033	6	C-1	Boccola diagonale	Sechseckant Böchse	Douille diagonale
7.1.350.015	7	C-1	Cuscinetto IIK 1412	Nedellager IIK 1412	Palier IIK 1412
8.2.250.071	8	C-1	Ruota gomina Ø 250x55 nera	Rued Ø 250 x 55	Roue Ø 250x55
9.1.105.224	4	D-2	Vite TTDE 6x16	Schraube 6x16	Vis 6x16
10.1.390.017	2	D-2	Supporto SBPFL 203	Auflage SBPFL 203	Support SBPFL 203
11.1.105.303	4	D-2	Rondella 6x12	Scheibe 6x12	Rondelle 6x12
12.1.105.133	8	D-2	Diado bloccante M6	Block nut M 6	Eccrou bloquant M6
13.1.105.464	1	D-2	Chiavetta 5x5x25	Keil 5x5x25	Cle 5x5x25
14.2.100.006	1	D-2	Albero trazione	Antriebswelle	Arbre traction
15.1.330.006	1	D-4	Cinghia Z30 3/4	Belt Z30 3/4	Courroie Z30 3/4
16.2.250.023	1	E-4	Puleggia Ø 140	Scheibe Ø 140	Poulie Ø 140
17.1.105.481	1	E-4	Grano 6x10	Dowel 6x10	Ergot 6x10
18.1.105.001	1	D-4	Vite TE 4x12	Schraube 4x12	Vis 4x12
19.1.105.123	3	D-4	Rondella 5x20	Scheibe 5x20	Rondelle 5x20
20.2.250.030	1	D-4	Puleggia Ø 55	Scheibe Ø 55	Poulie Ø 55
21.1.105.235	3	D-4	Vite IBCØ 6x20	Schraube 6x20	Vis 6x20
22.1.390.007	1	D-4	Cuscinetto 6000 2RS	Nedellager 6000 2RS	Palier 6000 2RS
23.2.260.032	1	D-4	Supporto cuscinetto	Nedellagersauflage	Support palier
24.2.230.005	2	D-4	Perno sostegno cinghia	Riemthalterbolzen	Goujon soutien courroie
25.2.260.026	1	D-4	Supporto motori	Motorhalterung	Support moteur
26.1.190.002	1	C-4	Ventola Ø 200	Laufrad Ø 200	Ventilateur Ø 200
27.05.022	2	C-4	Vite TE 5x16	Schraube 5x16	Vis 5x16
28.2.10.003	1	C-4	Boccola per ventola	Laufradbochse	Douille ventilateur
29.1.1.340.002	1	C-3	Motoriduttore trazione Ø 77	Antriebsgetriebemotor Ø 77	Motoriduttore Ø 77 traction
30.1.340.002	1	D-3	Motore Ø 77 Albero liscio	Motor Ø 77 Glatwelle	Motor Ø 77 arbre simple
31.1.105.162	4	C-3	Vite TEFØ 6x16	Schraube 6x16	Vis 6x16
32.1.105.324	4	D-3	Rondella 6x18	Scheibe 6x18	Rondelle 6x18
33.1.105.463	1	D-3	Chiavetta 3x3,7	Keil 3x3,7	Cle 3x3,7

COD. 9.600.5004
ESP. 1 2 3 4 5
TAVOLA 4 TK 500ET
DATA:

.37|OPTIONAL.



Rif. Code	N° Rif.	Descrizione	Description	Beschreibung	Description
1	6.911.072	Etichetta cruscotto TK 500 E	TK 500 E dashboard's plate	TK 500 E Armaturenbrettschild	Plaque tableau de bord TK 500 E
2	1.380.1001	Interruttore a chiave per batteria	Key switch	Schlußschalter	Interrupteur à Clé
3	1.380.009	Interruttore bipolare	Bipolar switch	Zweipoliger Schalter	Interrupteur bipolaire
4	1.105.363	Vite autofil SLTC 5x20	Screw 5x20	Schraube 5x20	Vis 5x20
5	1.380.008	Connettore carica batteria	Batt Charger connector	Batt.Aufladersverbinder	Connecteur Chargeur de batterie
6	2.160.033	Kit mousse cassetto anteriore	Adhesive kit for front drawer	Satz Klebschaummi Frontschieber	Kit mousse adhesive bac avant
7	2.160.060	Flap laterale sinistro TK500 / TK 700	Left side flap TK 500/TK700	Linksseitenklappe TK500/TK700	Flap latéral gauche TK500/TK700
8	1.105.302	Rondella 5x10	Washer 5x10	Scheibe 5x10	Rondelle 5x10
9	2.120.020	Contentore batteria	Battery container	Batterienbehälter	Conteneur batterie
10	1.105.504	Vite TSCE 6x25	Screw 6x25	Schraube 6x25	Vis 6x25
11	2.310.105	Leva scuotifiltro TK completa	Complete filtershaker's lever	Voll. Filterrüttlershebel	Lever complet secouement de filtre
12	2.165.005	Guida scuotifiltro TK	Filtershaker's rail	Filterrüttlerführung	Siège secouement filtre
13	1.380.023	Fusibile lamellare 30A	Fuse 30A	Sicherung 30 A	Fusible 30 A
14	1.380.004	Portafusibili 4 vie + coperchio	Fuse box + cover	Schmelzsicherungsschiel	Boîte porte-fusibles
15	1.105.064	Vite TE 8x25	Screw 8x25	Schraube 8x25	Vis 8x25
16	2.260.027	Staffa fissaggio filtro	Filter fixing bracket	Haltebügel f. Filter	Etrier fixation filtre
17	2.360.002	Filter TK 500	Filter TK 500	Filter TK 500	Filter TK 500
18	2.160.052	Kit mousse per filtro TK 500	Filter gaskets kit TK 500	Filterdichtungen TK 500	Kit joints filtre TK 500
19	1.180.037	Impianto elettrico TK500	Electrical installation TK 500	Elektrisch Anlage TK500	Installation électrique TK 500
20	1.105.221	Dado M18	Nut M18	Mutter M18	Ecrou M18
21	2.205.006	Molla compressione scuotifiltro	Filtershaker's spring	Filterrüttlerfeder	Ressort secouement filtre
22	1.160.049	Guarnizione OR 106	OR 106 Gasket	OR 106 Dichtung	Joint OR 106
23	2.230.018	Perno a sfera	Pin	Kugelpföhlbolzen	Goujon
24	1.105.702	Seeger interno Ø 16	Inner snap ring Ø 16	Innenseeger Ø 16	Bague d'arrêt interne Ø 16
25	2.205.007	Mazza snodata	Articulated bar	Gelenkbar	Barre articulée
26	1.105.232	Vite TBCE 10x16	Screw 10x16	Schraube 10x16	Vis 10x16
27	2.160.035	Flap posteriore TK500	Backside flap TK 500	Hinterklappe TK 500	Flap arrière TK 500
28	2.160.036	Flap laterale destro TK500/TK700	Right side flap TK500/TK700	Rechtsseitenklappe TK500/TK700	Flap latéral droite TK500/TK700
29	2.160.055	Flap interno telaio TK	Inner flap TK	Innenklappe TK	Flap interne TK
30	1.105.356	Vite autofil. TC 3,5x9,5	Screw 3,5x9,5	Schraube 3,5x9,5	Vis 3,5x9,5
31	1.105.002	Vite TE 4x16	Screw 4x16	Schraube 4x16	Vis 4x16
32	1.105.121	Dado M4	Nut M4	Mutter M4	Ecrou M4
33	2.150.023	Perma flap cassetto anteriore	Flap fixer TK 500	Klappenhalter TK 500	Ferme flap TK 500
34	2.160.042	Gomma cassetto anteriore	Front drawer rubber TK 500	Schmutzbehältersgummi TK 500	Caoutchouc du bac avant TK 500
35	2.160.043	Para cassetto anteriore	Front drawer para TK 500	Schmutzbehältersparagummi TK 500	Para du bac avant TK500
36	1.180.003	Batteria 12V - 80Ah	12V 80 Ah Battery	12V 80 Ah Batterie	Batterie 12V 80 Ah
37	1.380.1000	TIMER CONTAORE LCD	HOURMETER LCD	STUNDZÄHLER LCD	COMTE-HEURES LCD
38	2.160.009	Scheda comando 12V con blocco	12V motor blocking driving	12V Commandzettel blok. motor	Fiche de command bloq. moteur 12V
39	1.105.122	Dado M 5	Nut M 5	Mutter M 5	Ecrou M 5

ELENCO IMPIENETI PREASSEMBLATI
 PRE-ASSEMBLED SPAREPARTS' LIST
 VERMONTIERTE ERSATZTEILE
 LISTE DES COMPOSANTES PRE-ASSEMBLÉS

Rif.	Code	Descrizione	Description	Beschreibung	Description
TAV.1	2.300.089B	Cassetto anteriore completo Bianco	TK 500 Complete White front drawer	Voll. TK 500 Weiss Vorderschutzbehälter	Bac avant Blanche complet TK 500
	2.300.116	Cassetto anteriore completo Blu	TK 500 Complete Blue front drawer	Voll. TK 500 Blau Vorderschutzbehälter	Bac avant Bleu complet TK 500
	2.300.088R	Cassetto anteriore completo Rosso	TK 500 Complete Red front drawer	Voll. TK 500 Rot Vorderschutzbehälter	Bac avant Rouge complet TK 500
	2.300.091A	Cassetto posteriore completo Azzurro	TK 500 Complete Blue back drawer	Voll. TK 500 Blau Hinterschutzbehälter	Bac avant Bleu complet TK 500
	2.300.090G	Cassetto posteriore completo Grigio	TK 500 Complete Grey back drawer	Voll. TK 500 Grau Hinterschutzbehälter	Bac avant Gris complet TK 500
	2.300.113	Cassetto posteriore completo Nero	TK 500 Complete Black back drawer	Voll. TK 500 Schwarz Hinterschutzbehälter	Bac avant Noire complet TK 500
TAV.2	2.310.126	Manico TK 500 ET completo	TK 500 ET complete handle	Voll. TK 500 ET Handgriff	Poignée complete TK 500 ET
	2.125.009	Leva alzaspazzola laterale completa	Complete brush-lifting lever	Voll. Besenhebershebel	Lever leve-brosse complete
	2.310.127	Spazzola laterale completa PPL 70	Complete side brush PPL 70	Voll. Seitenbesen PPL 70	Brosse laterale complete PPL 70
	2.315.008	Anello dentato folle completo	Complete idle tooth ring	Voll. leer zahnring	Bague dentee vide complete
TAV.3	2.315.003	Anello movimento completo	Complete movement ring	Voll. Bewegungsring	Bague de mouvement complete
	2.310.099N	Ruota Destra completa	Complete right wheel	Voll. Rechte Rad	Roue droite complete
	2.310.100N	Ruota Sinistra completa	Complete left wheel	Voll. Linkes Rad	Roue gauche complete
TAV.4	2.310.117	Supporto cuscinetto completo	Complete support	Vollständig Auflage	Support complet
	2.310.096	KIT flap cassetto anteriore TK 500	TK 500 front drawer flap's kit	TK 500 Vordrängerklappen Kit	Caoutchouc du bac avant TK 500
	2.310.095	KIT flap telaio TK 500	TK 500 frame flap's kit	TK 500 Rahmenklappen Kit	Caoutchouc du châssis TK 500
	2.160.052	KIT flap filtro TK 500	TK 500 Filter flap's kit	TK 500 Filterklappen Kit	Caoutchouc du filtre TK 500
	2.310.106	Mazza snodiata scuotifiltro completa	Complete filtershaker jointed rod	Voll. Gelenkbar	Barre articulée complete

TK 500 ET Premont.
 (Vers. 07 / 96)