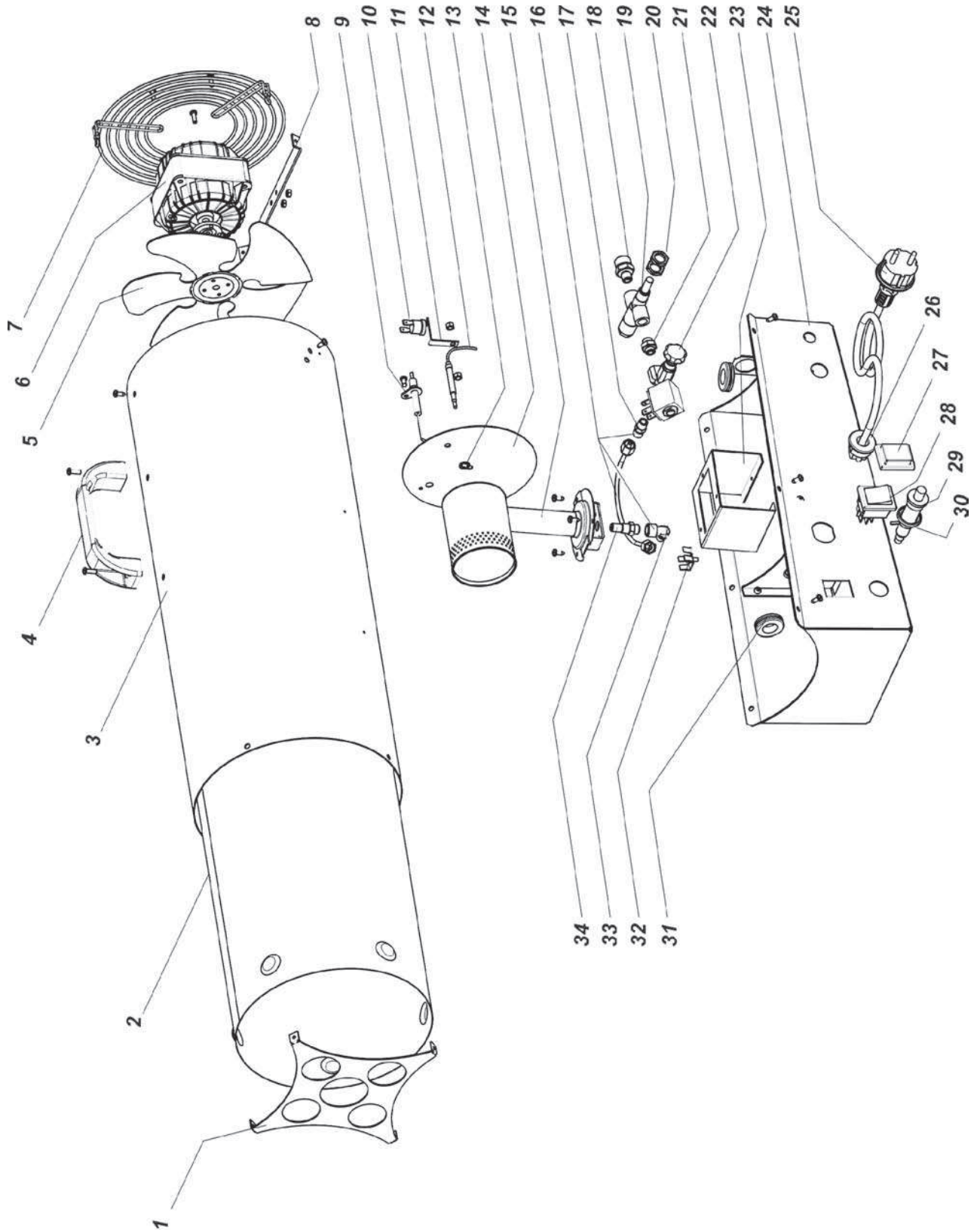


Spareparts MASTER GAS HEATERS

MODEL 30 kW

ILLUSTRATED PARTS BREAKDOWN



Cod. 4160.796

Spareparts MASTER GAS HEATERS 30 kW

Pos.	Code NR	Description
1	4160.764	OUTLET GRID
2	4161.373	COMBUSTION CHAMBER
3	4161.027	YELLOW COVER RAL 1006
4	4160.715	PLASTIC HANDLE
5	4160.690	FAN Ø200 19°
6	4160.629	ELECTRIC MOTOR 80 W 230-240/50HZ IP44
7	4160.784	INLET
8	4161.010	SUPPORT ELECTRIC MOTOR
9	4160.731	IGNITION ELETTRICAL FOLDER
10	4160.636	SAFETY THERMOSTAT 90°
11	4160.708	SUPPORT FOR THERMOSTAT
12	4160.654	INTERRUPTED THERMOCOUPLE
13	4160.627	ELASTIC WASHER
14	4160.726	PLATE BURNER
15	4160.687	GAS BURNER
16	4160.724	COPPER EXTENDIN
17	4160.623	NOZZLE 1/8"
18	4160.700	GAS INLET NOZZLE 3/8 M - 1/8 M
19	4160.653	SAFETY GAS VALVE
20	4160.701	RING NUT M12X0,75
21	4160.968	NOZZLE 1/8"
22	4160.660	GAS COCK WITH ELECTRO-VALVE
23	4160.782	SUPPORT BURNER
24	4160.778	BASE
25	4160.733	ELECTRIC CABLE
26	4160.635	KEEPER WIRE DEVICE
27	4160.638	COVER SWITCH
28	4160.637	SWITCH
29	4162.222	PIEZO IGNITOR WITH ADAPTER
30	N/A	ADAPTER FOR PIEZO IGNITOR
31	4160.646	GROMMET 16-30-22
32	4160.639	RIVET POP
33	4160.621	OGIVA 90°
34	4160.722	GAS NOZZLE Ø1,15

N/A = Parts Not Available