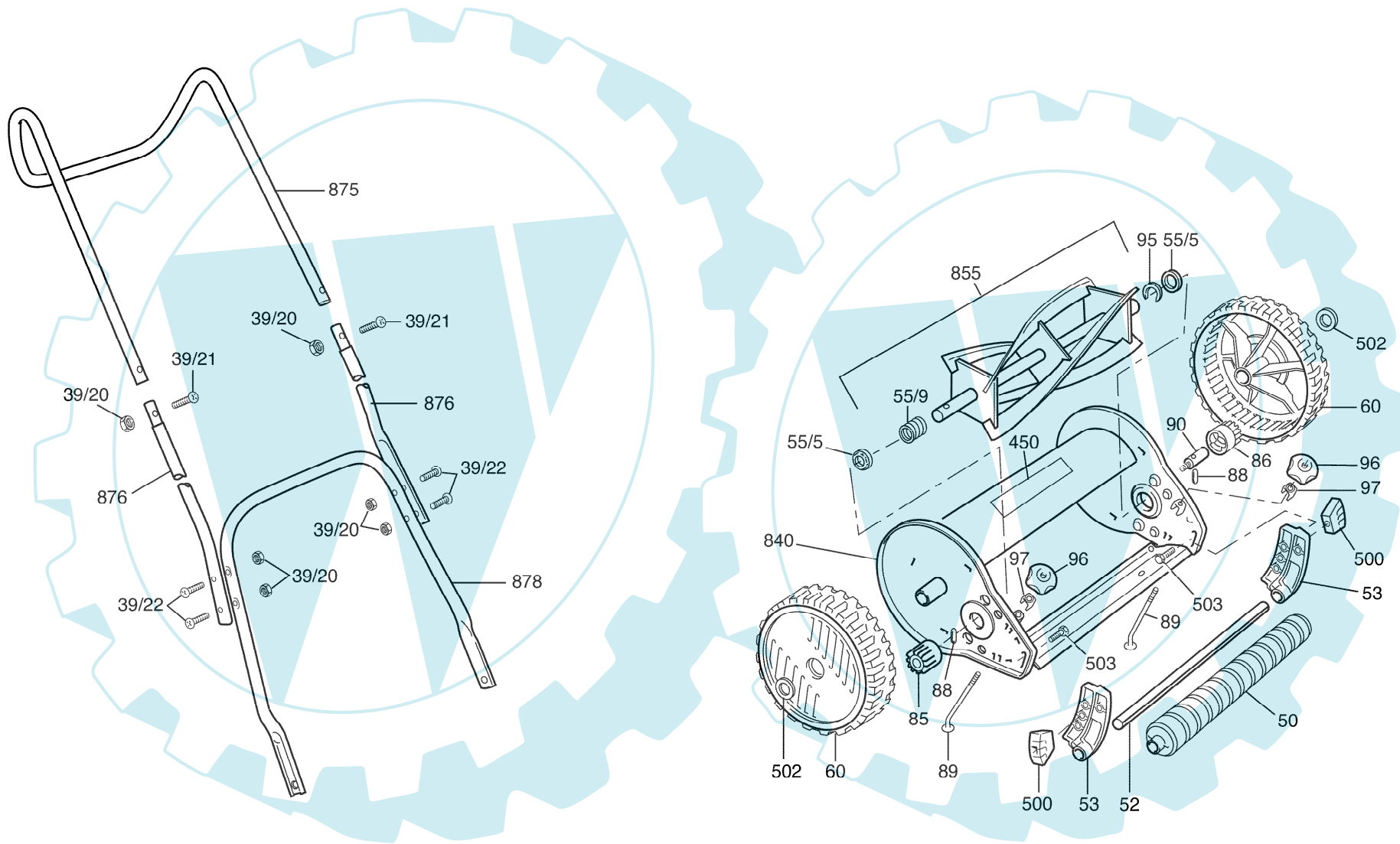


0 600 886 002

Issue }
Stand } 00-11-30

Fig.1/Abb.1



Modifications reserved
Anderungen vorbehalten
Modifications reserves
Salvo modificaciones