



BSW200AC

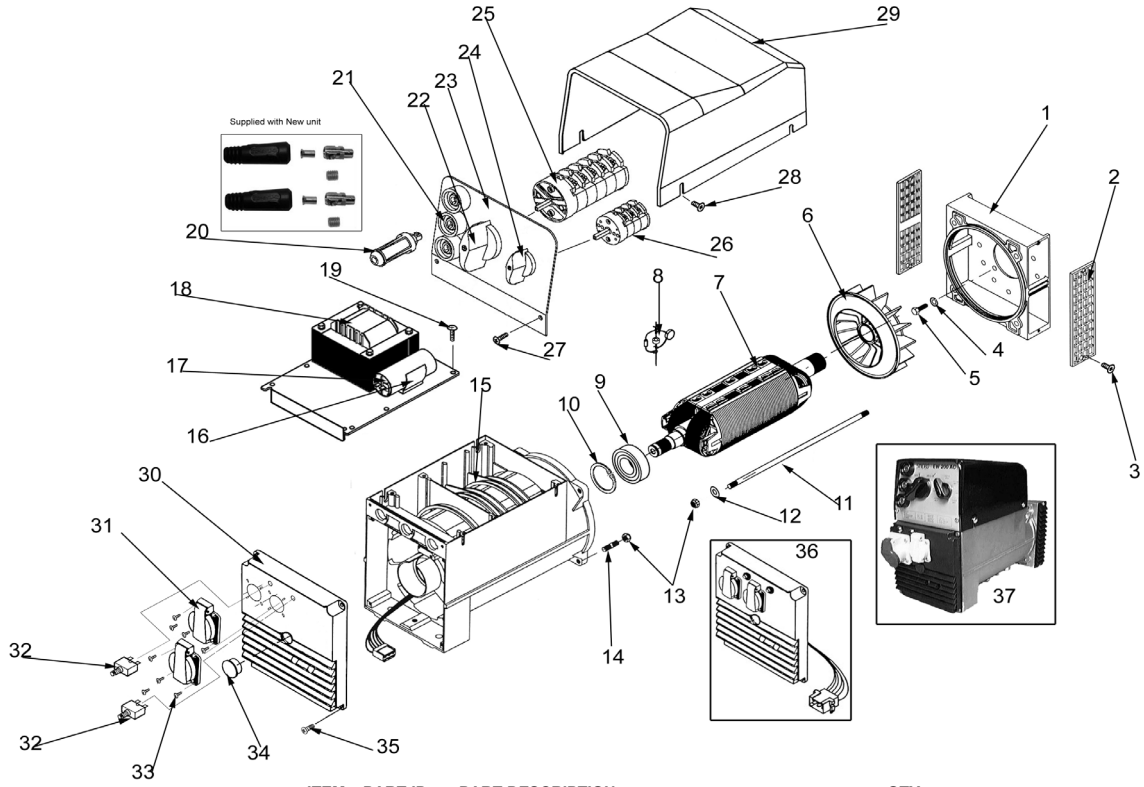
PARTS LIST



Model No. HPP1612-0 BSW200AC
Manual No. 102396GS Rev 0



Alternator with Outlet Panel

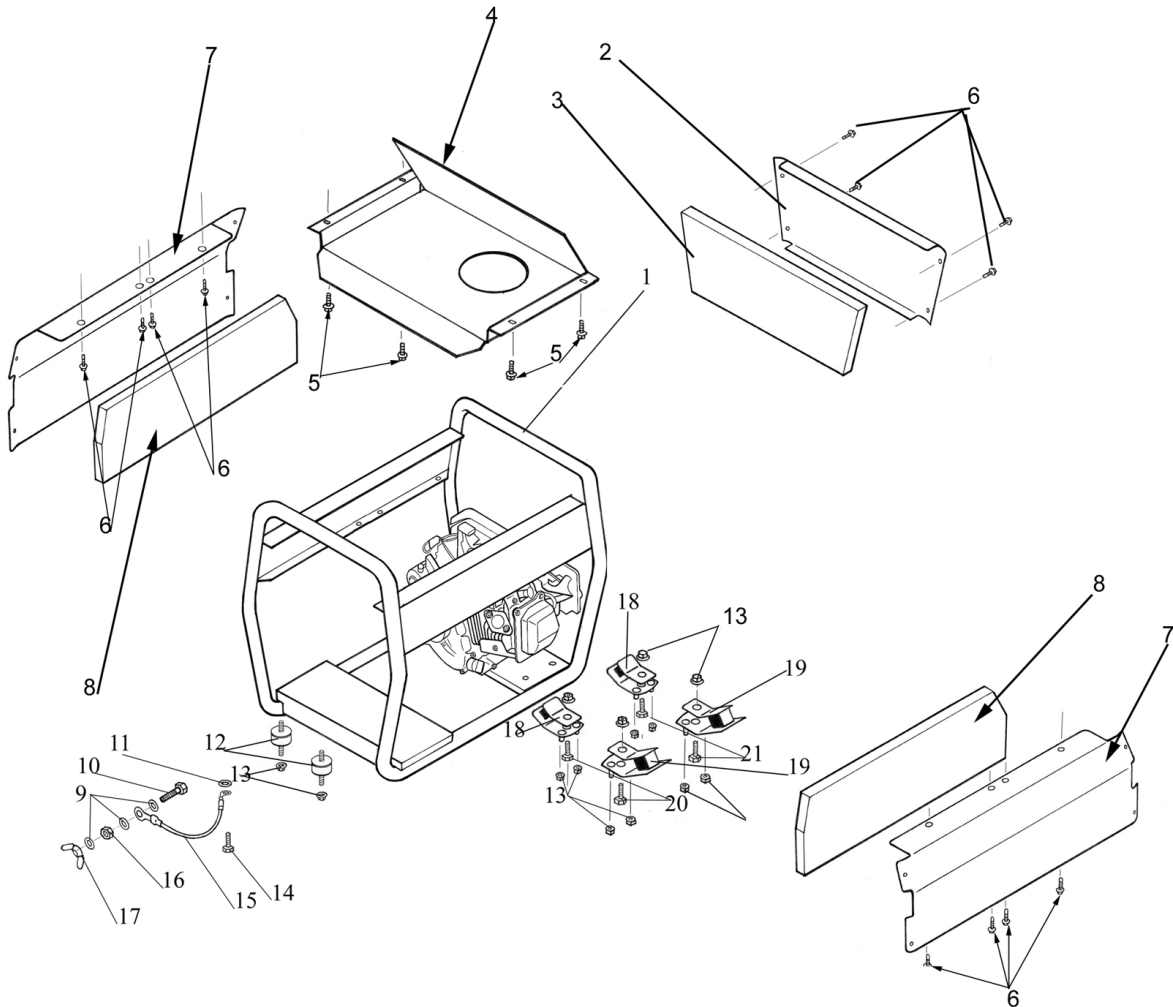


ITEM	PART ID	PART DESCRIPTION	QTY
1	102271GS	FLANGE PLATE	1
2	102139GS	SIDE GRILL (PLASTIC)	2
3	102087GS	SCREW MC PPHD M5*10MM	4
4	102099GS	WASHER LOCK M10/ 3/8 OXY BLACK	4
5	102279GS	SCREW CAP 3/8 UNC * 1 1/4"	4
6	102280GS	ROTOR FAN	1
7	102383GS	ROTOR EW200 AC WELDER	1
8	102052GS	DIODE & VARISTOR SET	2
9	102283GS	BEARING ASSY SINCRO	1
10	102284GS	BEARING CIRCLIP	1
11	102285GS	ROTOR BOLT 325MM	1
12	102020GS	WASHER FLAT M8 & 5/16"	1
13	102017GS	NUT NYLOCK M8-1.25 TYPE T	5
14	102384GS	STUD M8*30MM	4
15	102385GS	STATOR EW AC 200 WELDER	1
16	102386GS	CAPACITOR CLIP	1
17	102387GS	CAPACITOR 50UF	1
18	102388GS	IMPEDENCE WELDER 200AC	1
19	102236GS	SCREW MC PPHD M6*10MM	6
20	102389GS	CONNECTOR FEMALE AC WELDER	3
21	102390GS	CONNECTOR MALE AC WELDER	3
22	102391GS	KNOB SWITCH 7 POSITION	1
23	102392GS	PANEL ALUMINIUM BLANK	1
24	102374GS	KNOB SWITCH 2 POSITION	1
25	102393GS	SWITCH 7 POSITION AC WELDER	1
26	102375GS	SWITCH 2 WELD/GEN EW200AC	1
27	102292GS	SCREW MACHINE M5*8MM	2
28	102235GS	SCREW MC PPHD M6*15MM	4
29	102287GS	COVER TOP BOX	1
30	102075GS	OUTLET PANEL BLANK	1
31	102030GS	SOCKET OUTLET	2
32	102133GS	CIRCUIT BREAKER 15A	2
33	102040GS	SCREW PLASTITE PPHD NO6 * 3/8"	8
34	102085GS	END CAP PLASTIC (OUTLET PANEL)	1
35	102087GS	SCREW MC PPHD M5*10MM	4
36	102263GS	OUTLET PANEL COMPLETE	1
37	102394GS	ALT/WELDER SINCRO EW200AC F/G/S	1

Model No. HPP1612-0



Frame Mounts and EPA



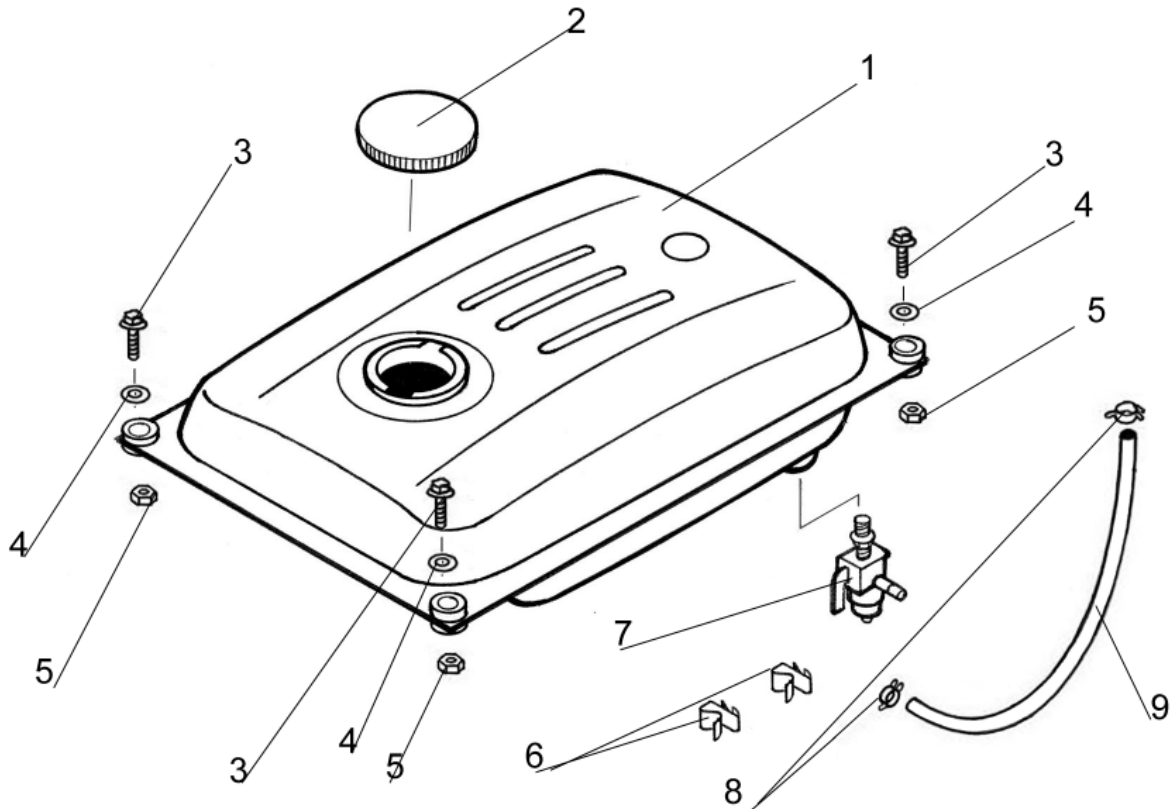
ITEM	PART ID	PART DESCRIPTION	QTY
1	102297GS	CRADLE RED	1
2	102298GS	PANEL ACOUSTIC (END PANEL)	1
3	102299GS	ACOUSTIC FOAM 25MM (FOR PANEL BA04)	1
4	102300GS	HEATSHIELD 7500L	1
5	102165GS	SCREW SELF TAP 5.5*1.8*13MM	4
6	102166GS	SCREW SELF DRILL #8*12.7 PPHD	12
7	102301GS	PANEL ACOUSTIC	2
8	102302GS	ACOUSTIC FOAM 25MM SELF ADHESIVE (FOR AK13 PANEL)	2
9	102021GS	WASHER SHAKEPROOF 1/4" & M6 INT	3
10	102037GS	SCREW SET M6-1.0X25MM PLATED	1
11	102024GS	WASHER SHAKEPROOF M8 INT	1
12	102034GS	VIBRATION MOUNT 32MM DIAMETER	2
13	102029GS	NUT FLANGE M8-1.25	16
14	102117GS	SCREW SET M6*25MM	1
15	102378GS	LEAD EARTH ASSY 145MM	1
16	102028GS	NUT FULL M6-1.0	1
17	102036GS	NUT WING M6-1.0	1
18	102033GS	VIBRATION MOUNT 45 DEGREE SOFT	2
19	102031GS	VIBRATION MOUNT 45 DEGREE HARD	2
20	102264GS	BOLT M8-1.25 X40	2
21	102026GS	SCREW SET	2

Model No. HPP1612-0

PAGE 3 OF 7



Fuel Tank



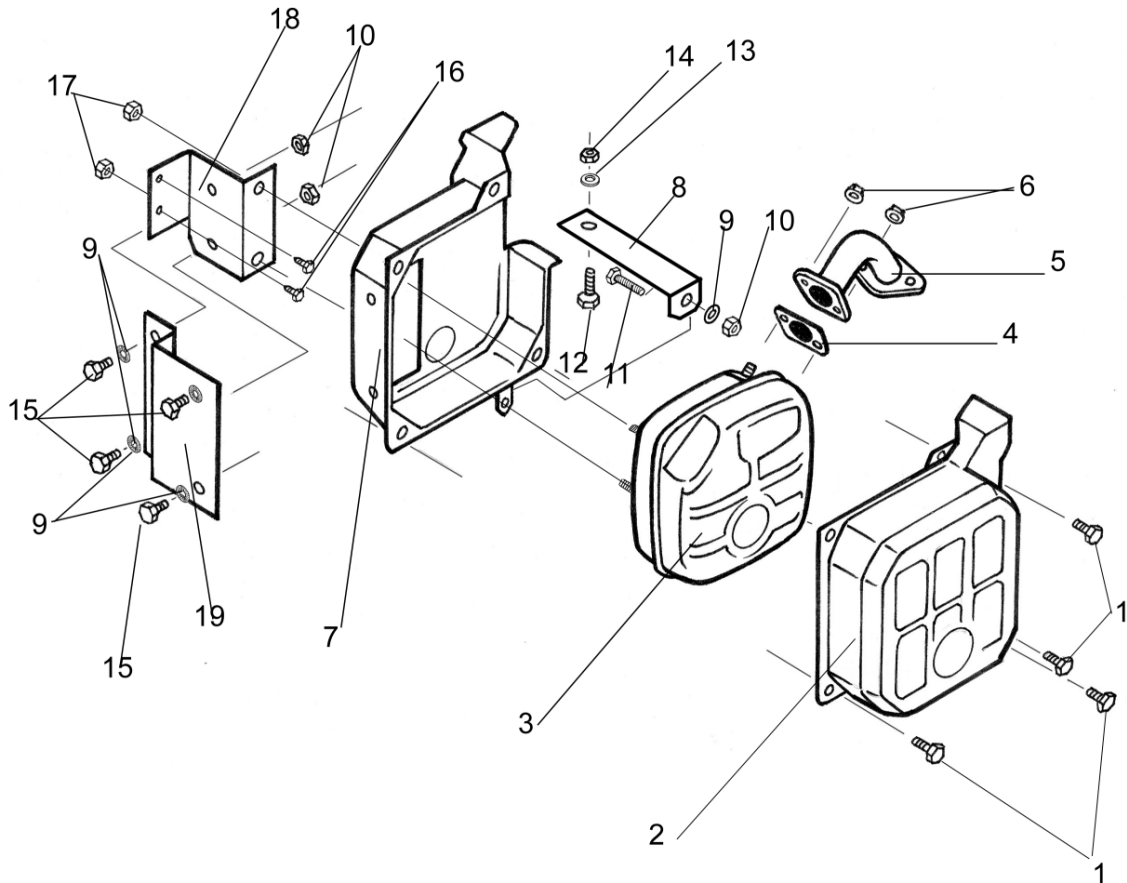
ITEM	PART ID	PART DESCRIPTION	QTY
1	102044GS	TANK FUEL METAL	1
2	102090GS	FUEL CAP	1
3	102037GS	SCREW SET M6-1.0X25MM PLATED	4
4	102042GS	WASHER REPAIR 6X20 OXY BLACK	4
5	102032GS	NUT LOCKING FLANGE M6-1.0MM	4
6	102319GS	CLIP 13MM HOSE	2
7	102045GS	VALVE FUEL	1
8	102047GS	CLAMP HOSE 1/4" ID	2
9	102025GS	HOSE FUEL	1

Model No. HPP1612-0

PAGE 4 OF 7



Exhaust & Fittings



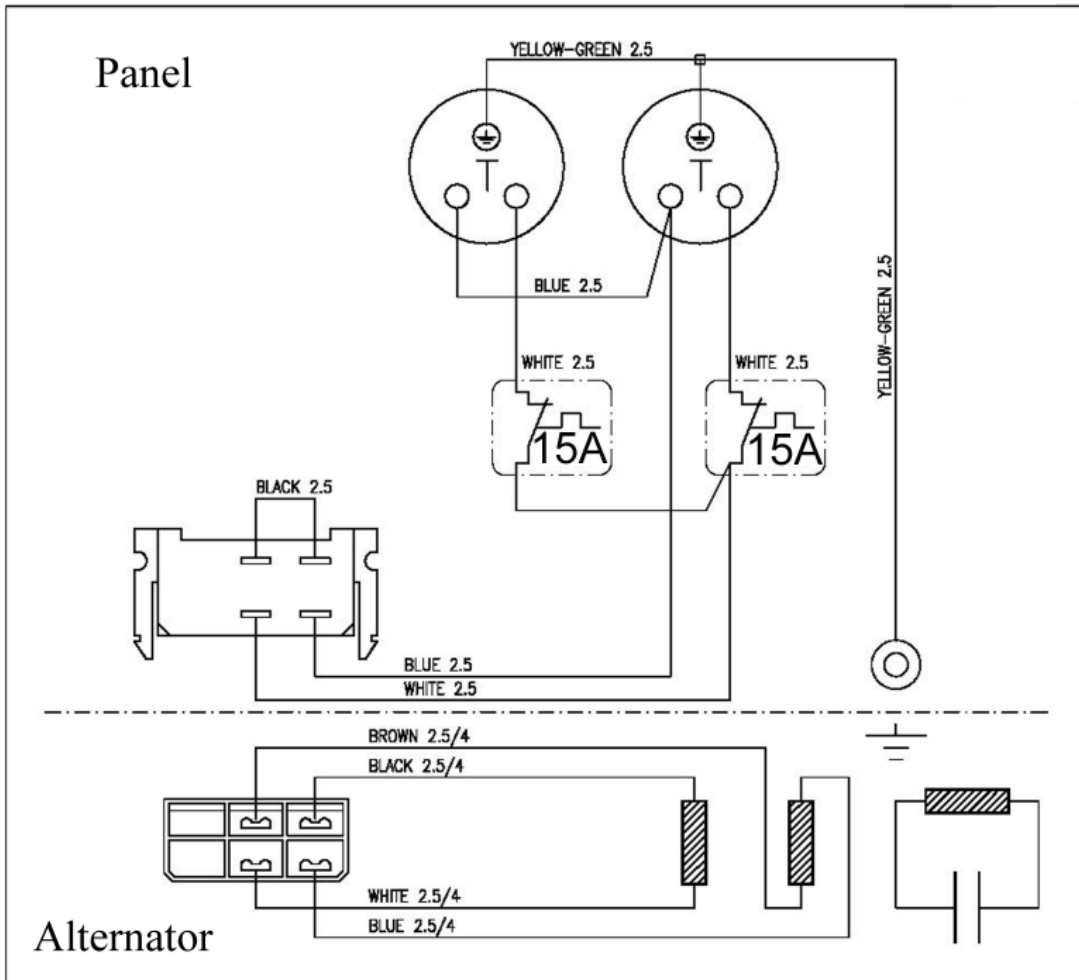
ITEM	PART ID	PART DESCRIPTION	QTY
1	710074	SCREW M6	4
2	710791	GUARD MUFFLER	1
3	102398GS	MUFFLER	1
4	102304GS	GASKET	1
5	102305GS	MANIFOLD	1
6	102306GS	NUT FLANGE M8	8
7	710792	GUARD MUFFLER	1
8	102307GS	BRACKET EXHAUST GUARD MOUNTING	1
9	102021GS	WASHER SHAKEPROOF 1/4"	5
10	102028GS	NUT FULL M6	3
11	102037GS	SCREW M6	1
12	102308GS	SCREW M8	1
13	102020GS	WASHER FLAT M8	1
14	102017GS	NUT NYLOCK M8	1
15	102309GS	SCREW M5	4
16	102166GS	SCREW SELF DRILL	2
17	102029GS	NUT M8	2
18	102310GS	BRACKET EXHAUST MOUNTING	1
19	102311GS	BRACKET EXHAUST GUARD MOUNTING	1

Model No. HPP1612-0

PAGE 5 OF 7



Panel Wiring Diagram



RESISTANCE VALUES AT 20 °C

- ROTOR 2.6 OHMS
- POWER 0.53 OHMS
- EXCITATION 1.1 OHMS

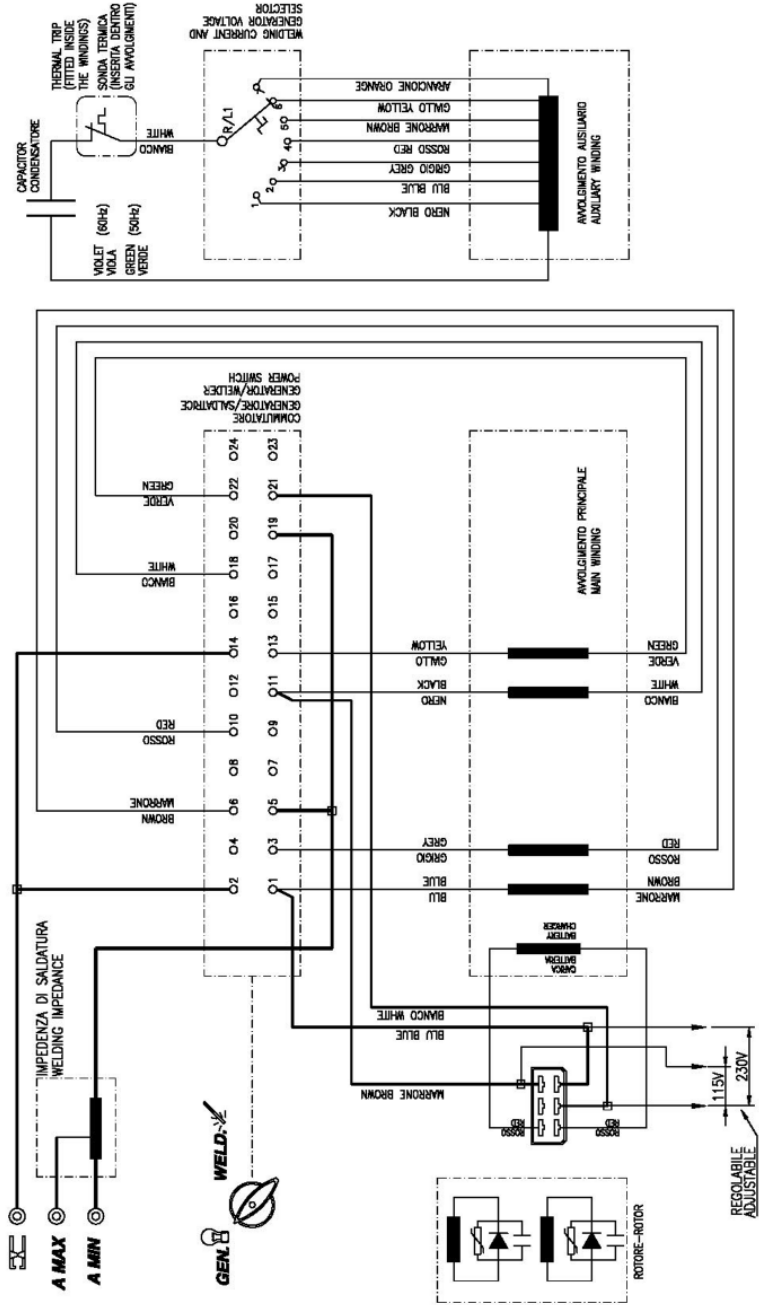
WELDING IMPEDANCE

- LOW RANGE 6.7 OHMS
- HIGH RANGE 4.3 OHMS



Panel Wiring Diagram

AC WELDER WIRING DIAGRAM



Decal & Manual Items *Not Shown

PART ID	PART DESCRIPTION	QTY
102077GS	DECAL WARNING READ MANUAL	1
102048GS	DECAL GND	1
102076GS	DECAL ELECTRICAL HAZARD	1
102041GS	DECAL CAUTION HOT	1
102379GS	DECAL BSW200 B&S 650X90MM	2
102395GS	DECAL AC YELLOW TRIANGLE	1
102065GS	MANUAL OWNERS	1

Model No. HPP1612-0