



BSP7500-L3

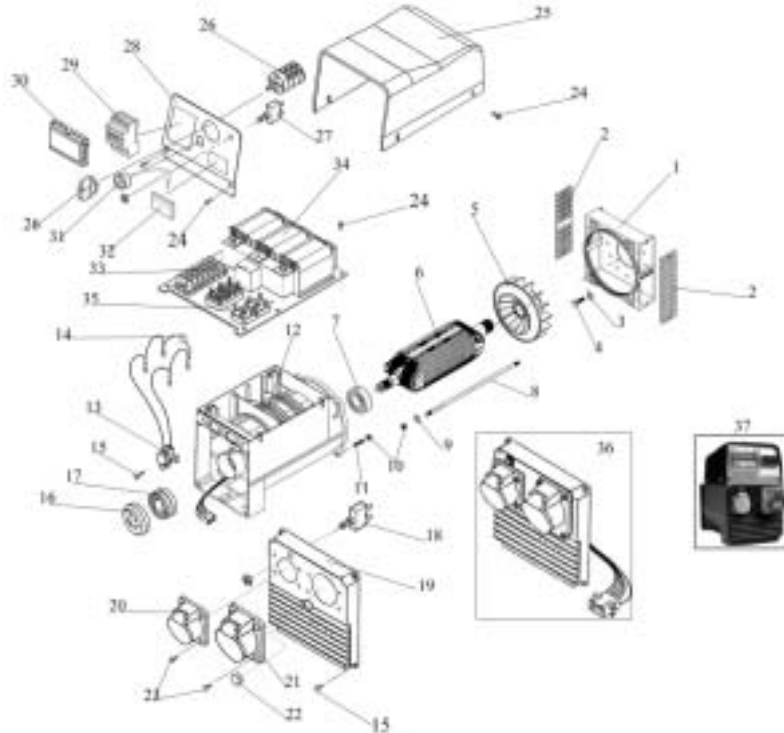
PARTS LIST



Model No. HPP1611-0 BSP7500-L3
Manual No. 102361GS Rev 1



Alternator with Outlet Panel

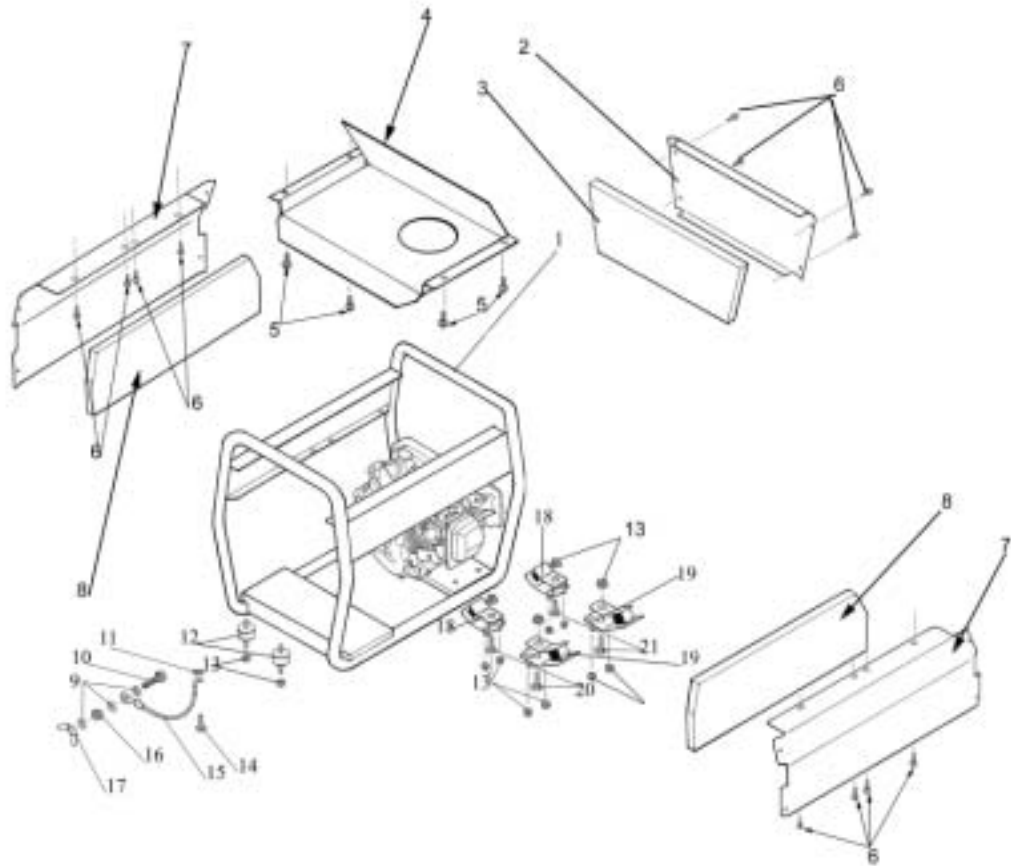


ITEM	PART ID	PART DESCRIPTION	QTY
1	102278GS	FLANGE PLATE ET4 (AK14 TO AJ68)	1
2	102139GS	SIDE GRILL (PLASTIC)	2
3	102099GS	WASHER LOCK M10/ 3/8 OXY BLACK	4
4	102098GS	SCREW CAP 3/8" UNC X 1"	4
5	102355GS	ROTOR FAN SINCRO	1
6	102356GS	ROTOR ASSEMBLY AK14 ALTERNATOR 3 PH	1
7	102038GS	ROTOR BEARING	1
8	102160GS	ROTOR BOLT 225MM M8-1.25	1
9	102020GS	WASHER FLAT M8	1
10	102017GS	NUT NYLOCK M8-1.25	5
11	102131GS	STUD M8*30MM	4
12	102357GS	STATOR ASSY ET4 3PHASE	1
13	102240GS	BRUSH ASSEMBLY	1
14	102338GS	VARIATOR, SINCRO 3PH FOR BRIDGE RECTIFIER	1
15	102087GS	SCREW MACHINEM5*10MM	4
16	102243GS	SLIP RING COVER	1
17	102242GS	SLIP RING ASSEMBLY	1
18	102133GS	CIRCUIT BREAKER 15A	1
19	102339GS	OUTLET PANEL BLANK SINCRO 3 PHASE	1
20	102418GS	SOCKET OUTLET 16A 230V	1
21	102341GS	SOCKET OUTLET 16A 230/415V	1
22	102085GS	END CAP PLASTIC (OUTLET PANEL)	1
23	102237GS	SCREW SELF TAP 4.8*1.6*16MM	8
24	102292GS	SCREW MACHINE M5*8MM	10
25	102287GS	COVER TOP BOX	1
26	102342GS	SWITCH ROTORY SINCRO 3PHASE	1
27	102358GS	CIRCUIT BREAKER 7A	1
28	102344GS	PANEL ASSY TOP BOX (ALUMINIUM)	1
29	102345GS	CIRCUIT BREAKER ASSY SINCRO 3PHASE	1
30	102346GS	COVER CLEAR PLASTIC (CIRCUIT BREAKERS)	1
31	102347GS	LAMP HOLDER ASSY SINCRO 3 PHASE	1
32	102348GS	VOLTMETER 360-440V L.E.D. TYPE	1
33	102349GS	FILTER ASSY (WAVE FORM)	1
34	102350GS	TRANSFORMER ASSY COMPOUND SINCRO 3PHASE	1
35	102161GS	BRIDGE RECTIFIER	2
36	102351GS	OUTLET PANEL COMPLETE (WITH FLY LEAD)ET 3PHASE	1
37	102359GS	ALTERNATOR SINCRO ET7.0. 3/1PHASE	1

Model No. HPP1611-0



Frame Mounts and EPA



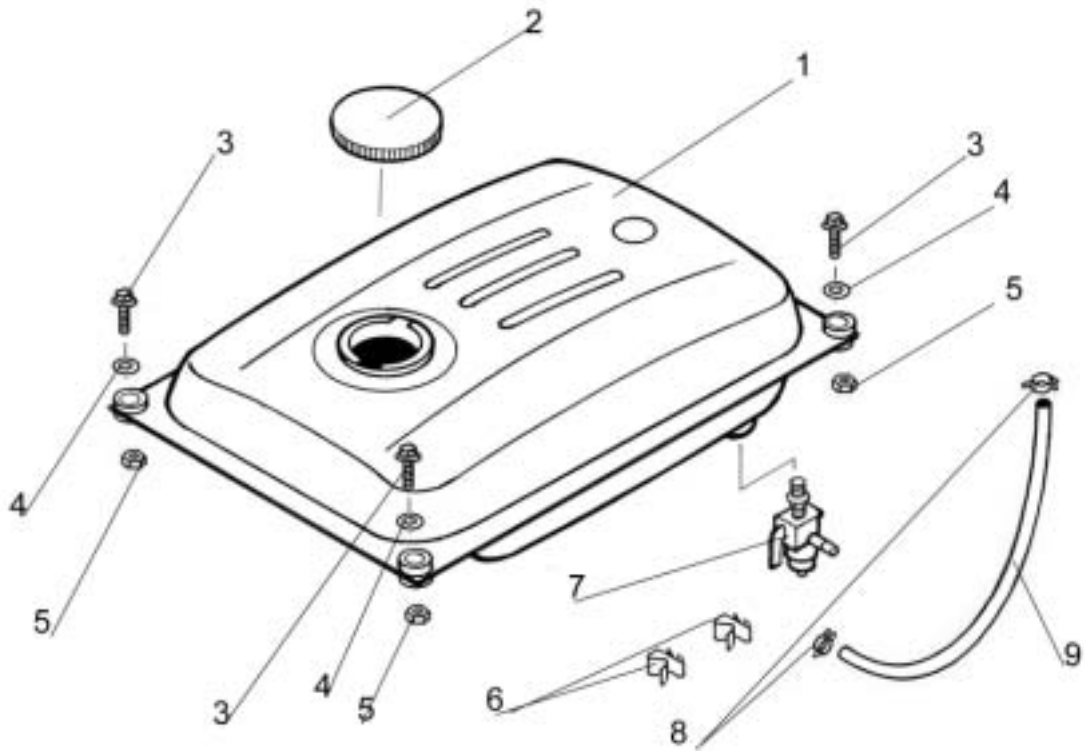
ITEM	PART ID	PART DESCRIPTION	QTY
1	102297GS	CRADLE RED	1
2	102298GS	PANEL ACOUSTIC (END PANEL)	1
3	102299GS	ACOUSTIC FOAM 25MM (FOR PANEL BA04)	1
4	102300GS	HEATSHIELD 7500L	1
5	102165GS	SCREW SELF TAP 5.5*1.8*13MM	4
6	102166GS	SCREW SELF DRILL #8*12.7 PPHD	12
7	102301GS	PANEL ACOUSTIC	2
8	102302GS	ACOUSTIC FOAM 25MM SELF ADHESIVE (FOR	2
9	102021GS	WASHER SHAKEPROOF 1/4" & M6 INT	3
10	102037GS	SCREW SET M6-1.0X25MM PLATED	1
11	102024GS	WASHER SHAKEPROOF M8 INT	1
12	102034GS	VIBRATION MOUNT 32MM DIAMETER	2
13	102117GS	SCREW SET M6*25MM	1
14	102029GS	NUT FLANGE M8-1.25	16
15	102050GS	LEAD EARTH ASSY 145MM	1
16	102028GS	NUT FULL M6-1.0	1
17	102036GS	NUT WING M6-1.0	1
18	102031GS	VIBRATION MOUNT 45 DEGREE HARD	2
19	102033GS	VIBRATION MOUNT 45 DEGREE SOFT	2
20	102264GS	BOLT M8-1.25 X40	2
21	102026GS	SCREW SET	2

Model No. HPP1611-0

PAGE 3 OF 6



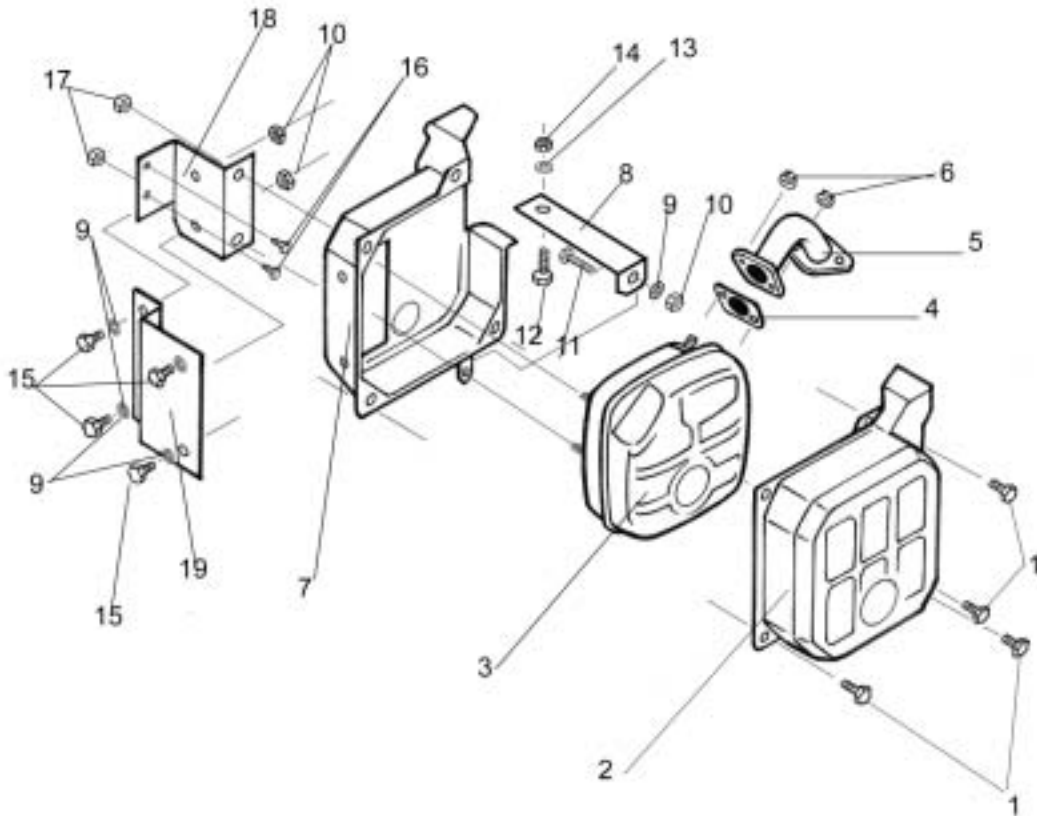
Fuel Tank



ITEM	PART ID	PART DESCRIPTION	QTY
1	102044GS	TANK FUEL METAL	1
2	102090GS	FUEL CAP	1
3	102037GS	SCREW SET M6-1.0X25MM PLATED	4
4	102042GS	WASHER REPAIR 6X20 OXY BLACK	4
5	102032GS	NUT LOCKING FLANGE M6-1.0MM	4
6	102319GS	CLIP 13MM HOSE	2
7	102045GS	VALVE FUEL	1
8	102047GS	CLAMP HOSE 1/4" ID	2
9	102025GS	HOSE FUEL	1



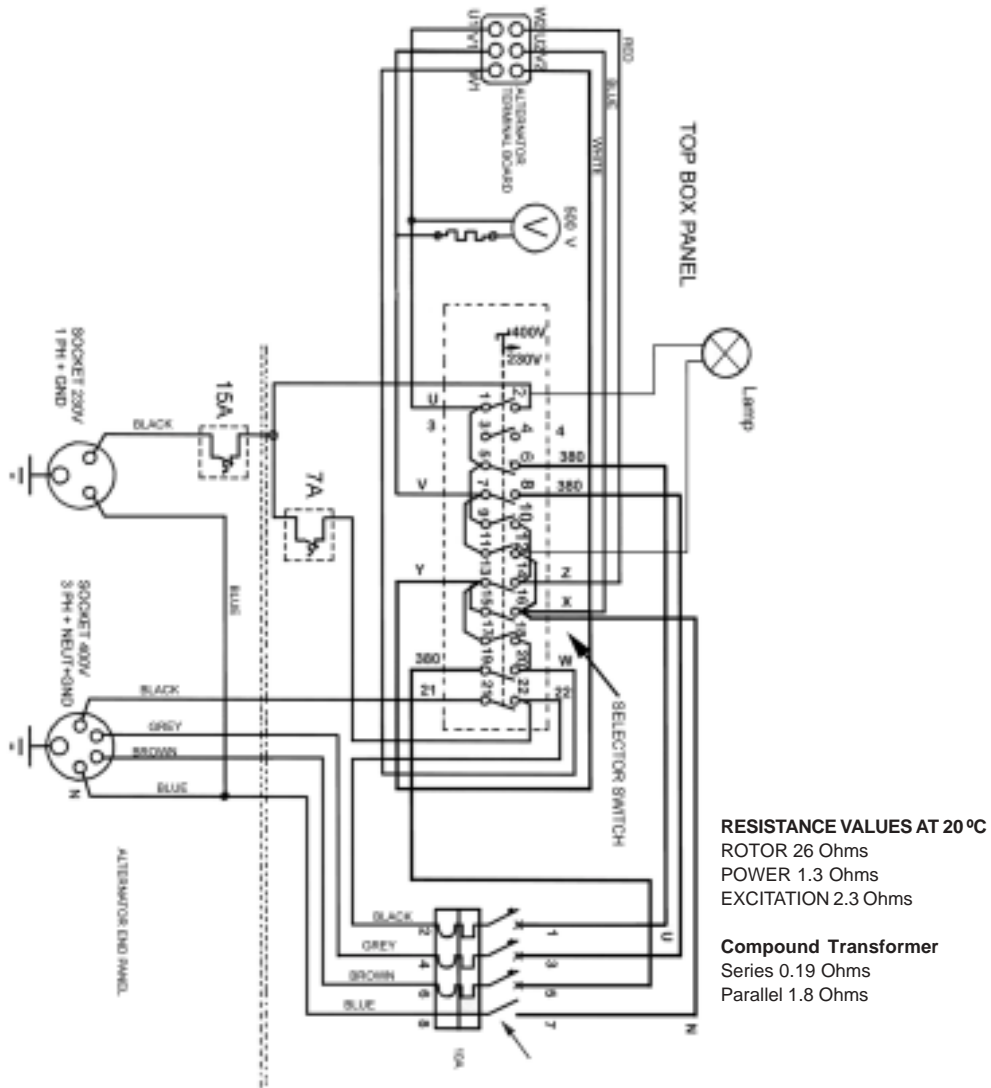
Exhaust & Fittings



ITEM	PART ID	PART DESCRIPTION	QTY
1	710074	SCREW M6	4
2	710791	GUARD MUFFLER	1
3	715600	EXHAUST QGS	1
4	710250	GASKET	1
5	715601	MANIFOLD	1
6	710090	NUT FLANGE M8	8
7	710792	GUARD MUFFLER	1
8	102307GS	BRACKET EXHAUST GUARD MOUNTING	1
9	102021GS	WASHER SHAKEPROOF 1/4"	5
10	102028GS	NUT FULL M6	3
11	102037GS	SCREW M6	1
12	102308GS	SCREW M8	1
13	102020GS	WASHER FLAT M8	1
14	102017GS	NUT NYLOCK M8	1
15	102309GS	SCREW M5	4
16	102166GS	SCREW SELF DRILL	2
17	102029GS	NUT M8	2
18	102310GS	BRACKET EXHAUST MOUNTING	1
19	102311GS	BRACKET EXHAUST GUARD MOUNTING	1



Panel Wiring Diagram



Decal & Manual Items *Not Shown

PART ID	PART DESCRIPTION	QTY
102077GS	DECAL WARNING READ MANUAL	1
102048GS	DECAL GND	1
102076GS	DECAL ELECTRICAL HAZARD	1
102041GS	DECAL CAUTION HOT	1
102317GS	DECAL BSP7500 B&S 650X90MM	2
102360GS	DECAL L 3-PHASE TRIANGLE	3
102065GS	MANUAL OWNERS	1