



BSP4500LA

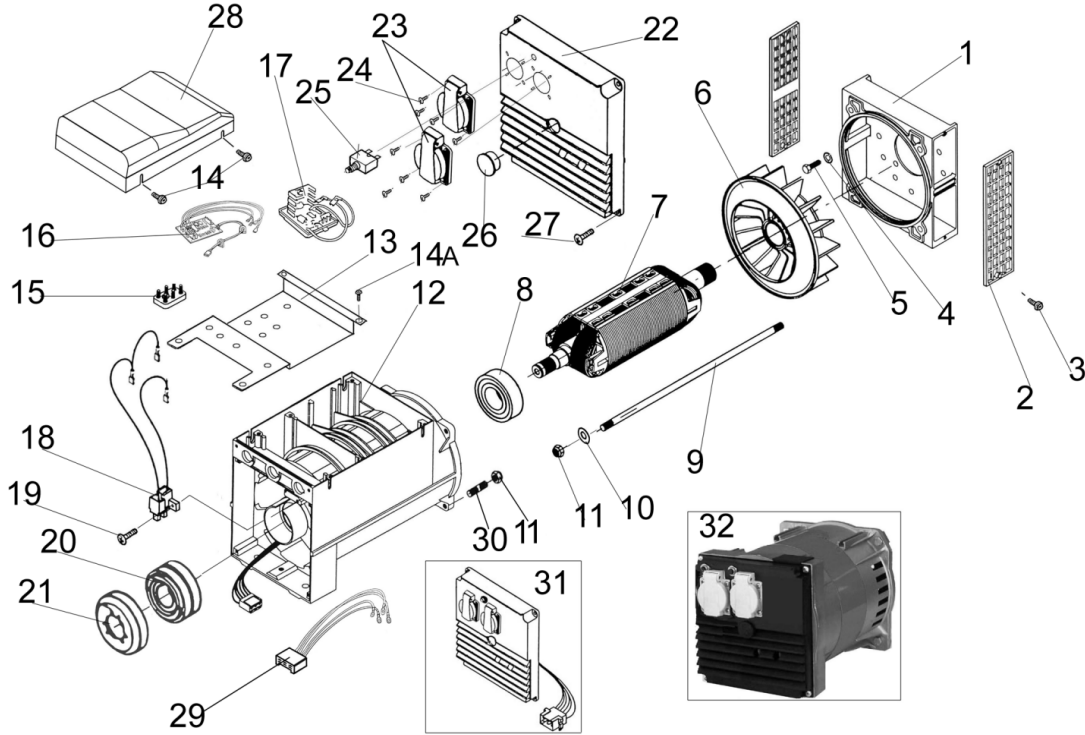
PARTS LIST



Model No. HPP1604-0 BSP4500LA
Manual No. 102250GS Rev 0



Alternator with Outlet Panel



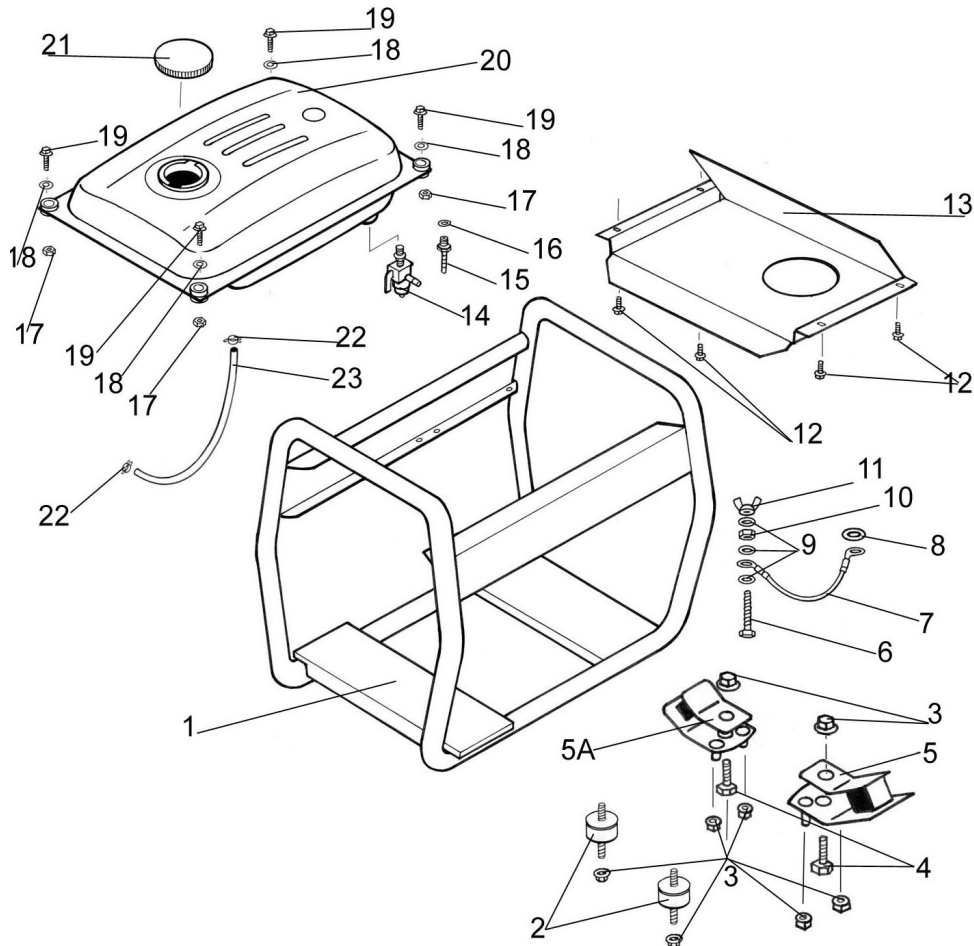
ITEM	PARTID	PARTDESCRIPTION	QTY
1	102271GS	FLANGE PLATE	1
2	102139GS	SIDE GRILL (PLASTIC)	2
3	102087GS	SCREW	4
4	102099GS	WASHER LOCK M10/ 3/8 OXY BLACK	4
5	102098GS	SCREW CAP 3/8" UNC X 1"	4
6	102073GS	ROTOR FAN SINCRO	1
7	102232GS	ROTOR ASSEMBLY BB07-A AVR	1
8	102038GS	ROTOR BEARING	1
9	102160GS	ROTOR BOLT 265MM M8-1.25	1
10	102020GS	WASHER FLAT	1
11	102017GS	NUT NYLOCK M8	5
12	102233GS	STATOR ASSEMBLY BB07-A AVR	1
13	102234GS	SUPPORT PLATE	1
14	102235GS	SCREW M6 * 15MM	4
14A	102236GS	SCREW M6 * 10MM	6
15	102237GS	CONNECTOR BLOCK	1
16	102238GS	SYSTEM CONTROL BOARD	1
17	102239GS	POWER MODULE	1
18	102240GS	BRUSH ASSEMBLY	1
19	102241GS	SCREW MACHINE M4-0.7*12MM	1
20	102242GS	SLIP RING ASSEMBLY	1
21	102243GS	SLIP RING COVER	1
22	102075GS	OUTLET PANEL BLANK	1
23	102244GS	SOCKET OUTLET G/S	2
24	102040GS	SCREW PLASTITE PPHDS NO.6*3/8"	8
25	102133GS	CIRCUIT BREAKER 15A	1A
26	102085GS	END CAP PLASTIC PLUG	1
27	102087GS	SCREW MC M5 * 10MM	4
28	102245GS	COVER ALTERNATOR	1
29	102246GS	WIRING HARNESS	1
30	102131GS	STUD M8*30MM	4
31	102222GS	OUTLET PANEL ASSY	1
32	102365GS	ALTERNATOR SINCRO 4KVA AVR	1

Model No. HPP1604-0

PAGE 2 OF 6



Frame, Fuel Tank, Fittings, Mounts and EPA



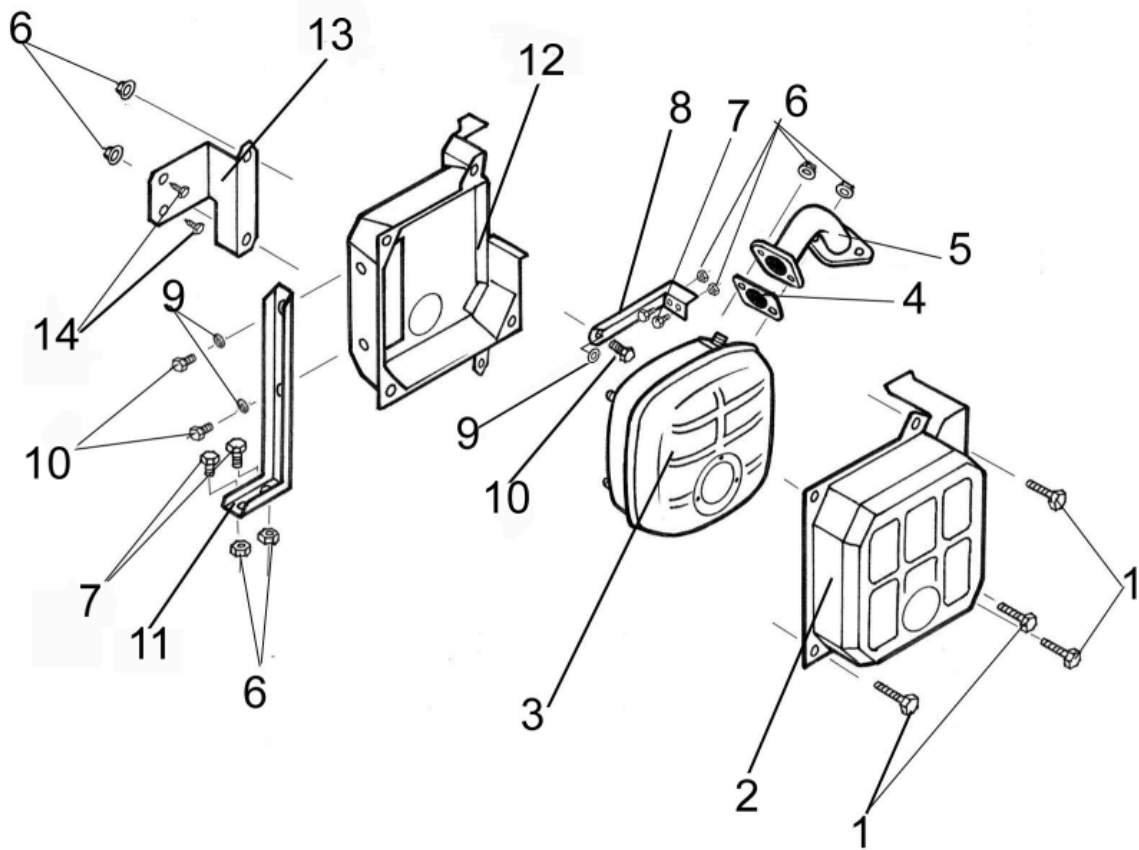
ITEM	PART ID	PART DESCRIPTION	QTY
1	102223GS	CRADLE PP4500L	1
2	102034GS	VIBRATION MOUNT 32MM DIAMETER	2
3	102029GS	NUT FLANGE M8-1.25	8
4	102026GS	SCREW SET	2
5	102031GS	VIBRATION MOUNT 45 DEGREE HARD	1
5A	102033GS	VIBRATION MOUNT 45 DEGREE SOFT	1
6	102037GS	SCREW SET M6-1.0X25MM PLATED	1
7	102050GS	LEAD EARTH ASSY 145MM	1
8	102024GS	WASHER SHAKEPROOF M8 INT	1
9	102021GS	WASHER SHAKEPROOF 1/4" & M6 INT	3
10	102028GS	NUT FULL M6-1.0	1
11	102036GS	NUT WING M6-1.0	1
12	102165GS	SCREW SELFTAP 5.5*1.8*13MM	4
13	102224GS	HEAT SHIELD	1
14	102045GS	VALVE FUEL	1
15	102225GS	HOSE TAIL CONNECTOR	1
16	102226GS	DOWTY BONDED SEAL	1
17	102032GS	NUT LOCKING FLANGE M6-1.0MM	4
18	102042GS	WASHER REPAIR 6X20 OXY BLACK	4
19	102037GS	SCREW SET M6-1.0X25MM PLATED	4
20	102044GS	TANK FUEL METAL	1
21	102090GS	FUEL CAP	1
22	102047GS	CLAMP HOSE 1/4" ID	2
23	102025GS	HOSE FUEL 1/4"ID SAE J30R7	1

Model No. HPP1604-0

PAGE 3 OF 6



Exhaust & Fittings



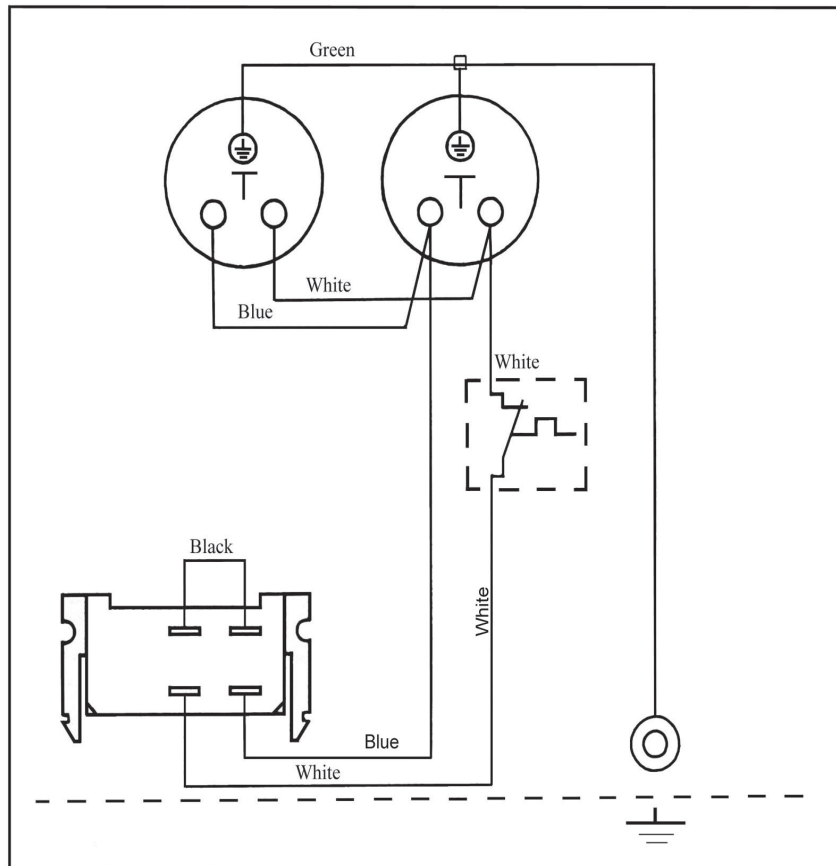
ITEM	PART ID	PART DESCRIPTION	QTY
1	710074	SCREW M6	4
2	710793	GUARD MUFFLER FRONT	1
3	715602	MUFFLER	1
4	710082	GASKET EXHAUST MANIFOLD	1
5	715603	MANIFOLD EXHAUST	1
6	102029GS	NUT FLANGE M8-1.25	6
7	102229GS	SCREW MACHINE HDD M8-1.25*16MM	4
8	102227GS	BRACKET EXHAUST GUARD MOUNTING	1
9	102021GS	WASHER SHAKEPROOF 1/4" & M6 INT	3
10	102027GS	SCREW SET HDD M6-1.0*12MM	3
11	102228GS	BRACKET EXHAUST GUARD MOUNTING	1
12	710794	GUARD MUFFLER REAR	1
13	102156GS	BRACKET EXHAUST MOUNTING	1
14	102166GS	SCREW SELF DRILL #8*12.7 PPHD	2

Model No. HPP1604-0

PAGE 4 OF 6



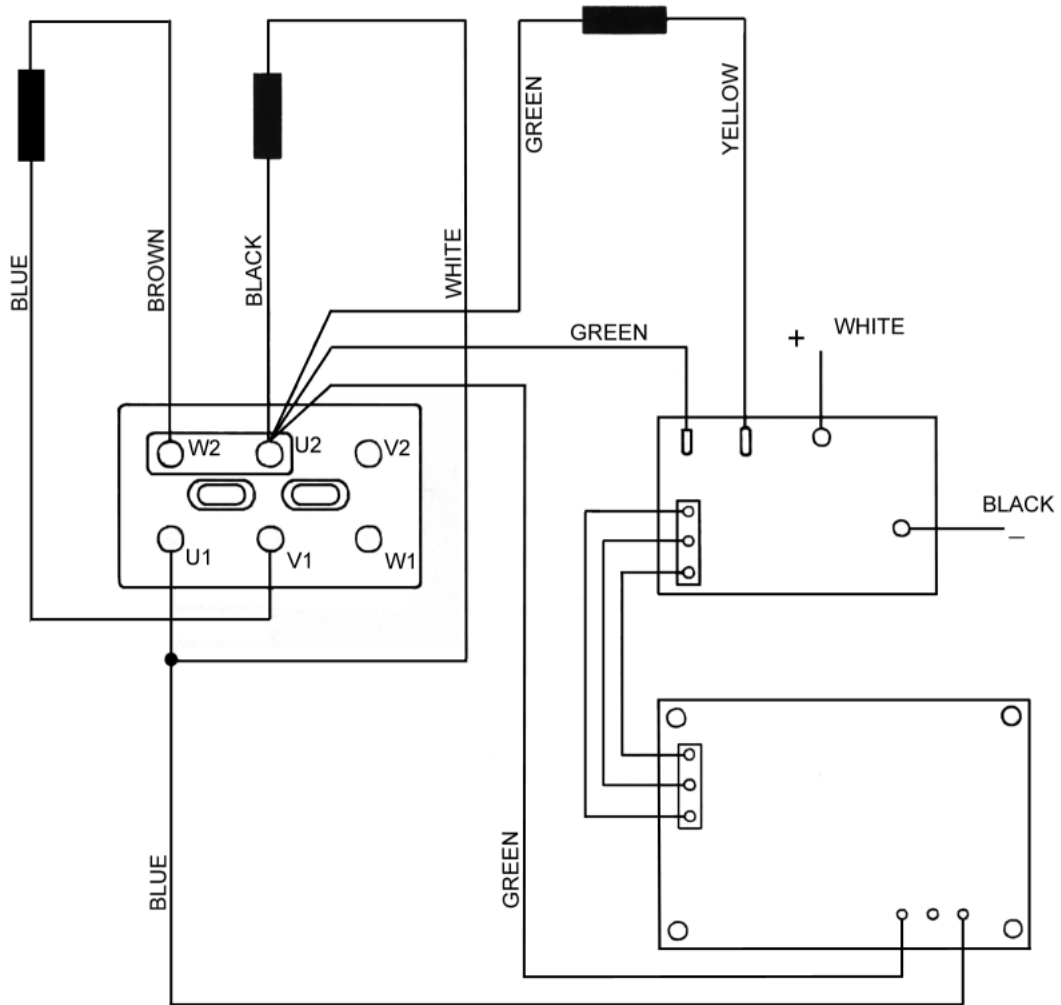
Panel Wiring Diagram



RESISTANCE VALUES AT 20 °C
ROTOR 13.4 OHMS
POWER 1.2 OHMS
EXCITATION 3.7 OHMS



AVR Wiring Diagram



Decal & Manual Items *Not Shown

PART ID	PART DESCRIPTION	QTY
102077GS	DECAL WARNING READ MANUAL	1
102048GS	DECAL GND	1
102076GS	DECAL ELECTRICAL HAZARD	1
102041GS	DECAL CAUTION HOT	1
102230GS	DECAL BSP4500 B&S 590X90MM	2
102248GS	DECAL LA/LONG-RUN, AVR TRIANGLE	2
102249GS	ADDENDUM SPECIFICATION & CE	1

Model No. HPP1604-0

PAGE 6 OF 6