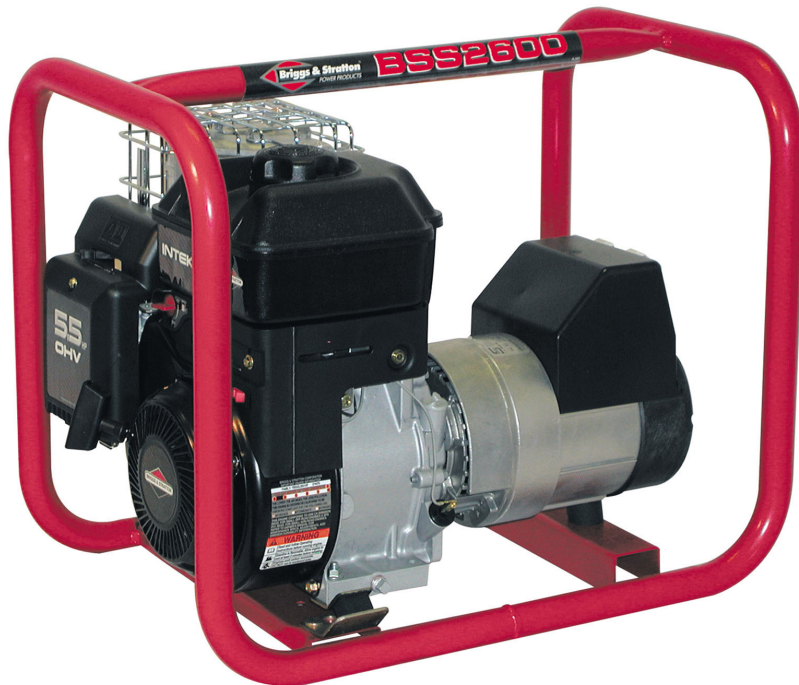




B S S 2 6 0 0

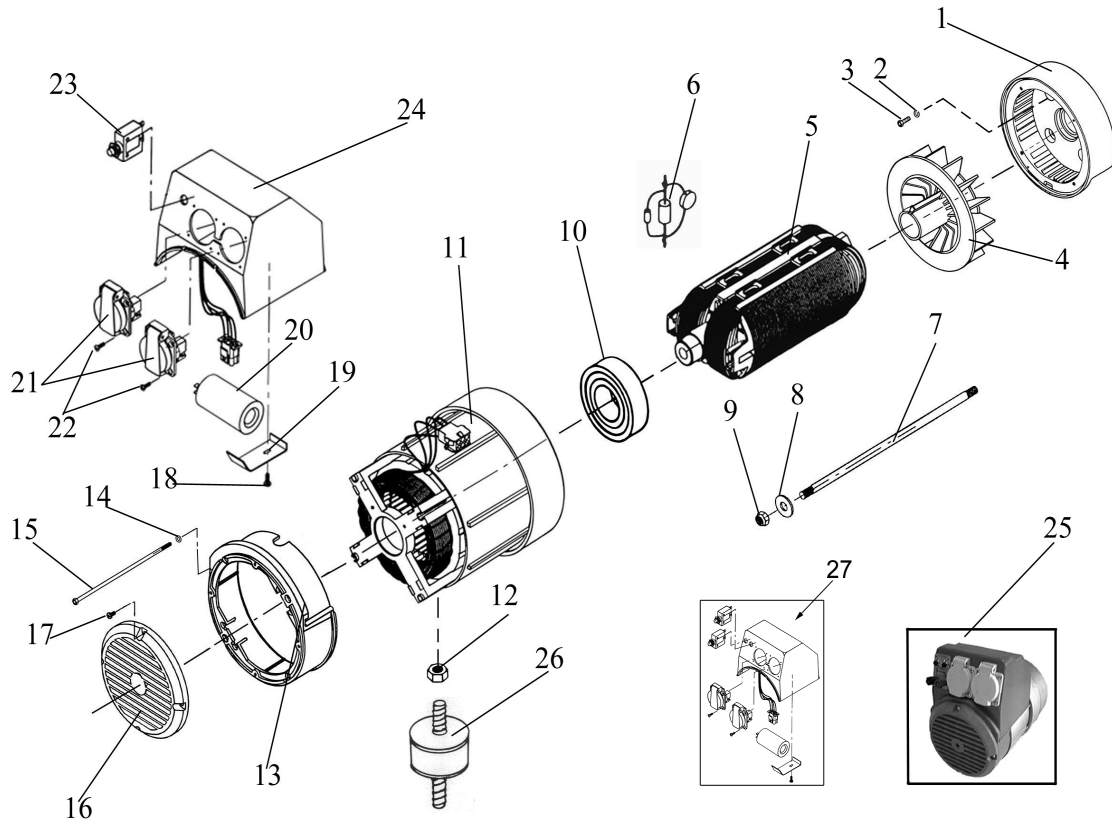
PARTS LIST



Model No. HPP1597-0 BSS2600
Manual No. 102212GS Rev 0



Alternator with Outlet Panel



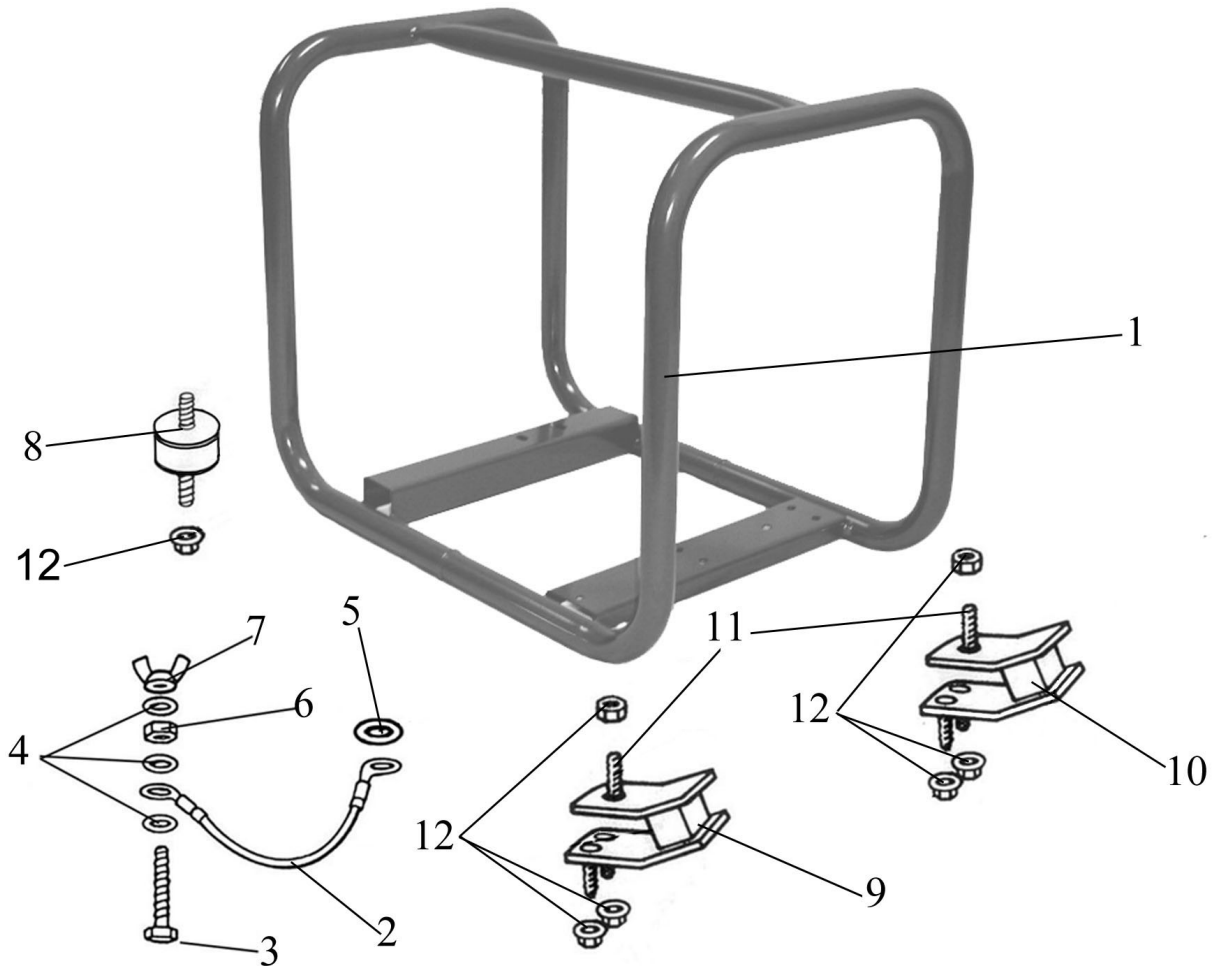
ITEM	PART ID	PART DESCRIPTION	QTY
1	102059GS	FLANGE ALTERNATOR	1
2	102019GS	WASHER SPRING M8 & 5/16"	4
3	102035GS	SCREW SET 5/16"UNF X 3/4"	4
4	102046GS	FAN ROTOR SINCRO R80	1
5	102056GS	ROTOR SINCRO R80	1
6	102052GS	DIODE & VARISTOR ASSY	1
7	102057GS	ROTOR BOLT 195MM	1
8	102020GS	WASHER FLAT M8 & 5/16"	1
9	102017GS	NUT NYLOCK M8-1.25 TYPE T	1
10	102063GS	BEARING ROTOR	1
11	102058GS	STATOR SINCRO R80	1
12	102029GS	NUT FLANGE M8-1.25	1
13	102060GS	COWLING ALTERNATOR R80	1
14	102022GS	WASHER FLAT M5	4
15	102088GS	BOLT STATOR M5*204MM	4
16	102061GS	END COVER ALTERNATOR R80	1
17	102089GS	SCREW SELF TAP3.9 * 9.5MM	4
18	102023GS	SCREW SELF TAPPPHD #8*5/8" BZP	1
19	102082GS	CAPACITOR CLIP R80	1
20	102053GS	CAPACITOR 16UF	1
21	102030GS	SOCKET OUTLET G/S	2
22	102040GS	SCREW PLASTITE PPHD NO6 * 3/8"	8
23	102084GS	CIRCUIT BREAKER 9A	1
24	102062GS	OUTLET BOX BLANK (NO FITTINGS) SINCRO R80	1
25	102055GS	ALTERNATOR SINCRO R80 G/S	1
26		SEE PAGE 3	
27	102095GS	OUTLET BOX COMPLETE R80	1

Model No. HPP1597-0

PAGE 2 OF 4



Frame Mounts and EPA



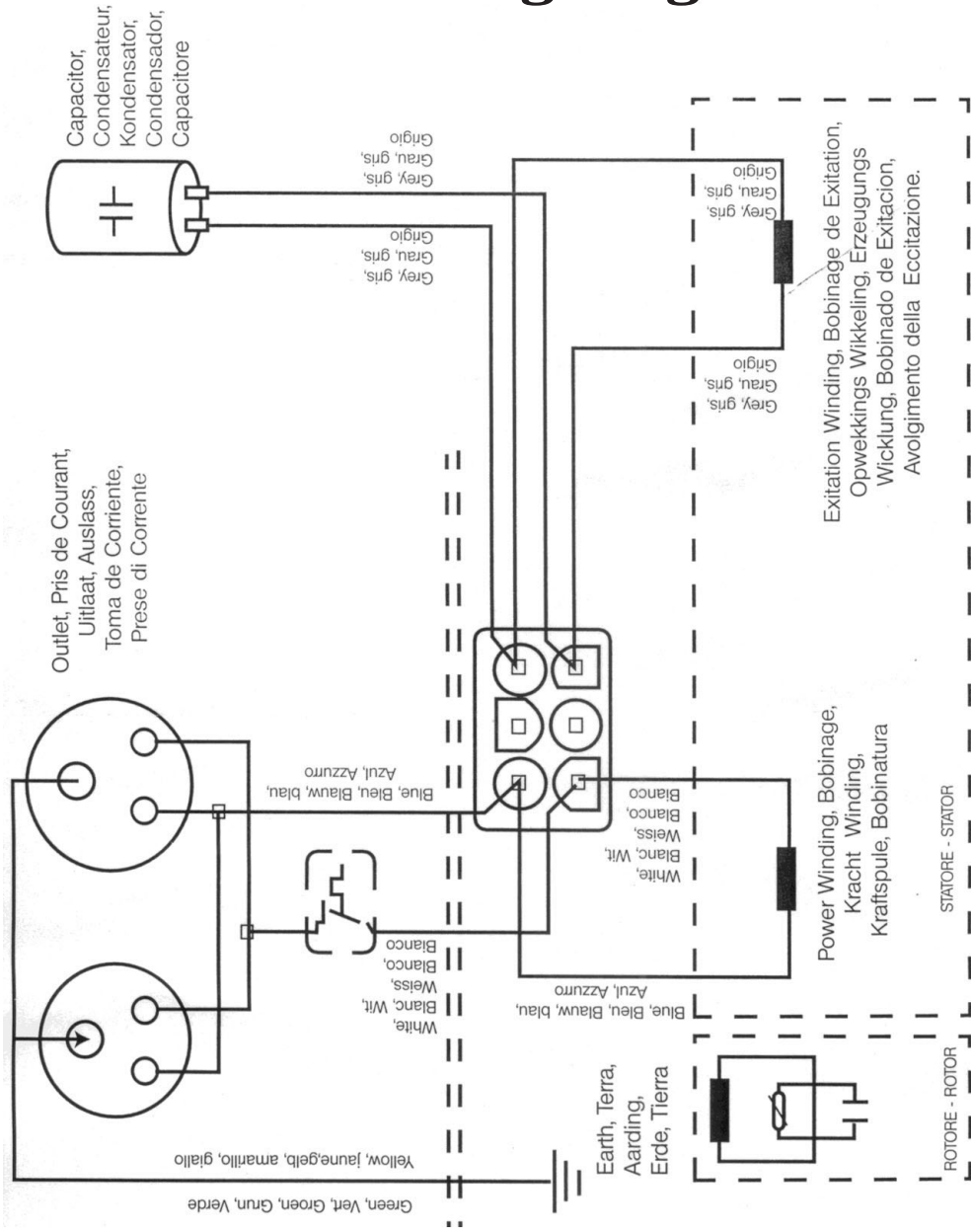
ITEM	PART ID	PART DESCRIPTION	QTY
1	102211GS	CRADLE RED RAL 3003	1
2	102050GS	LEAD EARTH ASSY 145MM	1
3	102037GS	SCREW SET M6-1.0X25MM PLATED	1
4	102021GS	WASHER SHAKEPROOF 1/4" & M6 INT	3
5	102024GS	WASHER SHAKEPROOF M8 INT	1
6	102028GS	NUT FULL M6-1.0	1
7	102036GS	NUT WING M6-1.0	1
8	102034GS	VIBRATION MOUNT 32MM DIAMETER	1
9	102031GS	VIBRATION MOUNT 45 DEGREE HARD	1
10	102033GS	VIBRATION MOUNT 45 DEGREE SOFT	1
11	102026GS	SCREW SET	2
12	102029GS	NUT FLANGE M8-1.25	7

Model No. HPP1597-0

PAGE 3 OF 4



Panel Wiring Diagram



RESISTANCE VALUES AT 20 °C
 ROTOR 5.3 OHMS
 POWER 2.5 OHMS
 EXCITATION 5.2 OHMS

Decal & Manual Items *Not Shown

PART ID	PART DESCRIPTION	QTY
102076GS	DECAL ELECTRICAL HAZARD	1
102213GS	DECAL BSS2600-B & S 350*80	1
102077GS	DECAL WARNING READ MANUAL	1
102041GS	DECAL CAUTION HOT	1
102048GS	DECAL GND	1
102065GS	MANUAL OWNERS BS2012	1