



G-Force 1600

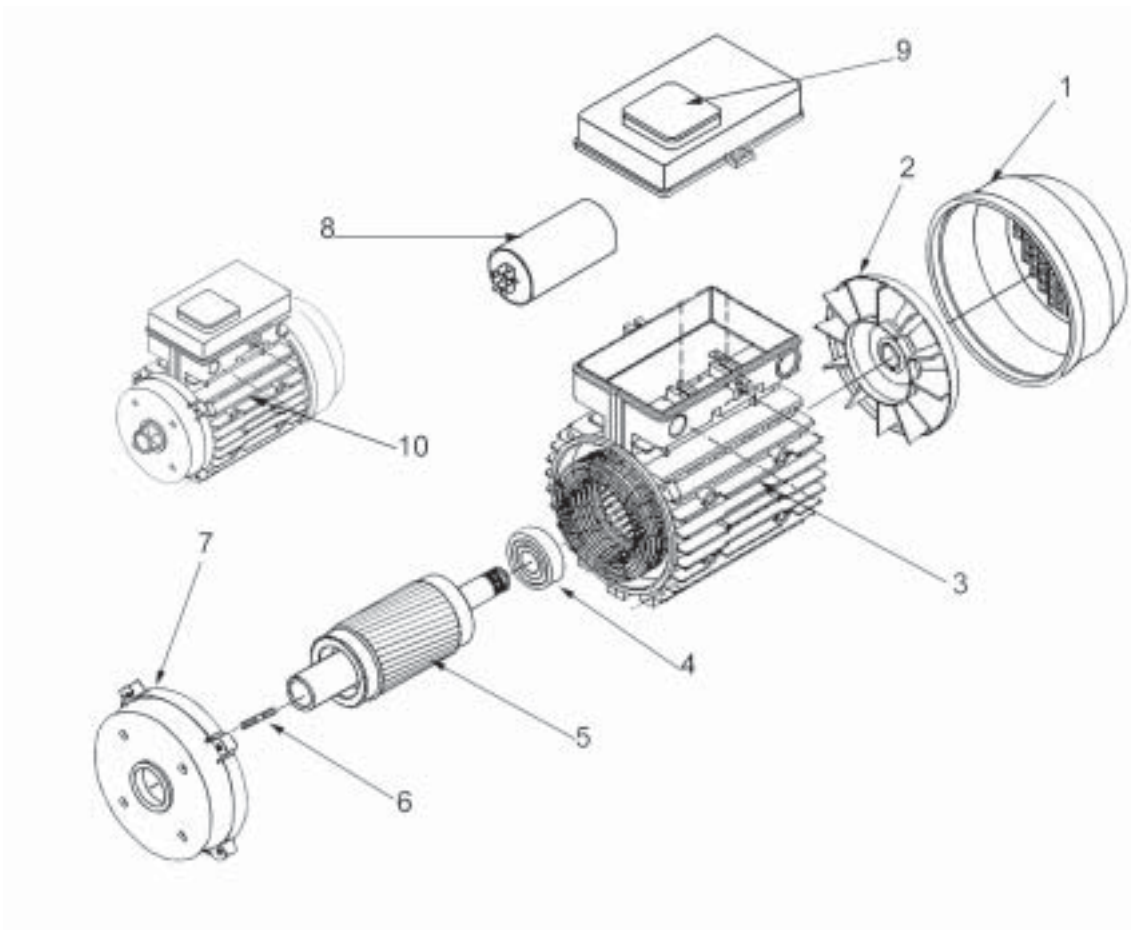
PARTS LIST



Model No. 1509-2 G-Force 1600
Manual No. 102604GS Rev 0



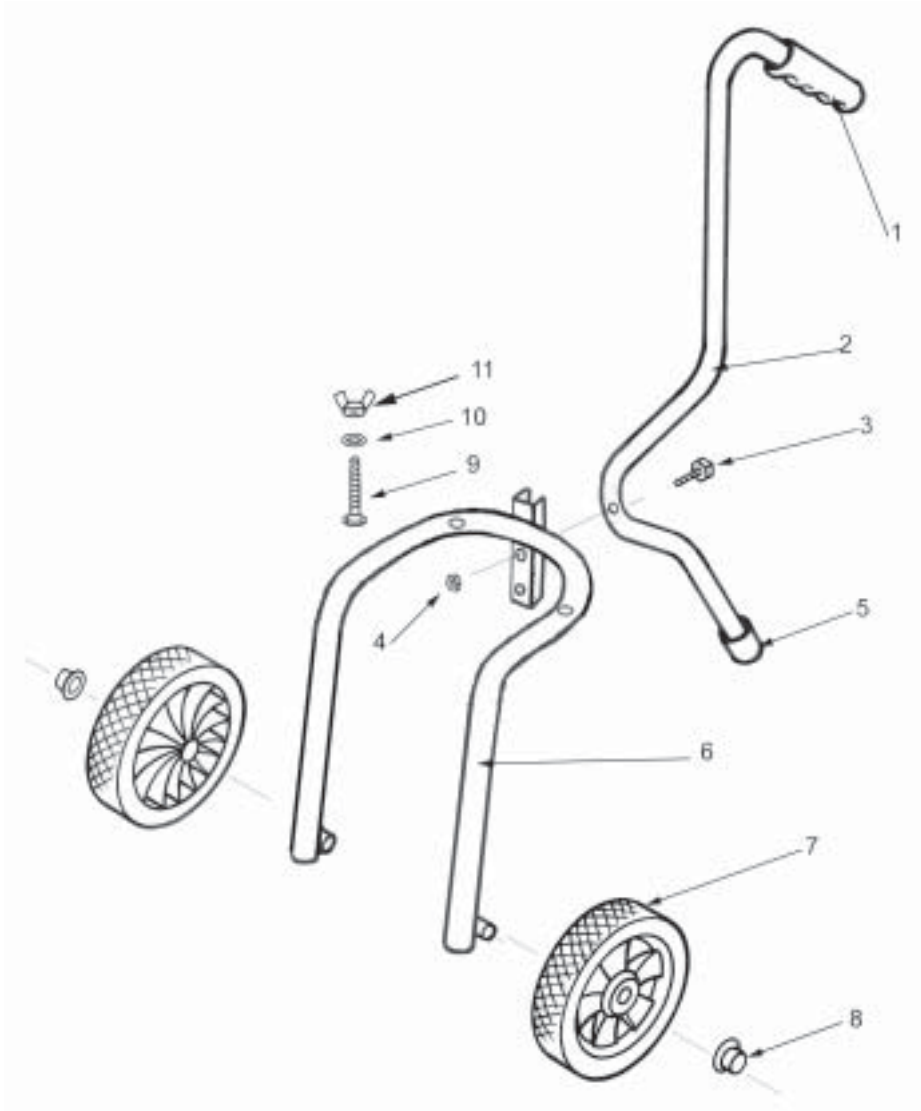
Alternator & Outlet Panel



ITEM	PART ID	PART DESCRIPTION	QTY
1	102593GS	FAN COVER SOGA 1.2KW	1
2	102594GS	FAN SOGA 1.2KW	1
3	102595GS	STATOR ASSEMBLY SOGA 1.2KW	1
4	102575GS	BEARING ROTOR TEKEL 1KW	1
5	102596GS	ROTOR ASSEMBLY SOGA 1.2KW	1
6	102597GS	STUD 3/8" UNF * 1.5"	1
7	102598GS	FLANGE PLATE SOGA 1.2KW	1
8	102293GS	CAPACITOR 40UF	1
9	102030GS	SOCKET OUTLET	1
10	102570GS	ALTERNATOR SOGA 1.2KW VERTICAL	1



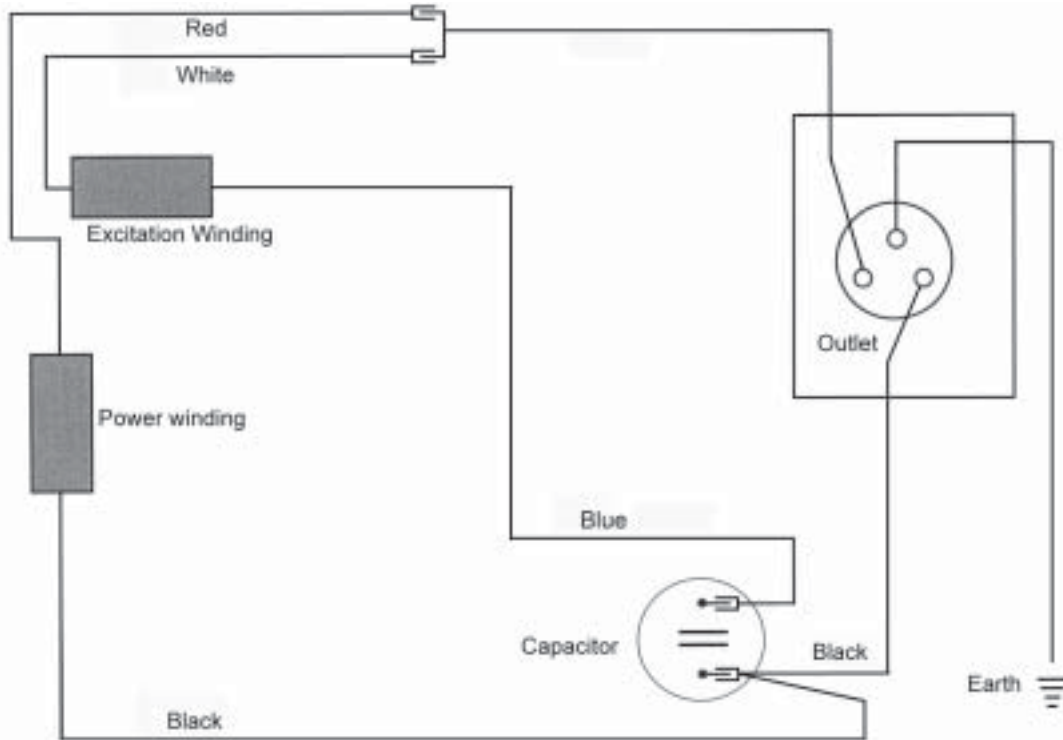
Frame and Fittings



ITEM	PART ID	PART DESCRIPTION	QTY
1	102599GS	GRIP 1" HANDLE BLACK	1
2	102600GS	CRADLE HANDLE VT	1
3	102026GS	SCREW SET	1
4	102029GS	NUT FLANGE M8-1.25	1
5	102601GS	FERRULE RUBBER 1"	1
6	102602GS	CRADLE WHEELED VT2000	1
7	102461GS	WHEEL 7"	2
8	102462GS	PUSHNUT	2
9	102027GS	SCREW SET HHD M6-1.0*12MM	1
10	102021GS	WASHER SHAKEPROOF 1/4" & M6 INT	1
11	102036GS	NUT WING M6-1.0	1



Panel Wiring Diagram



RESISTANCE VALUES AT 20 °C

POWER 2.1 OHMS

EXCITATION 3.6 OHMS

Decal & Manual Items *Not Illustrated

PART ID	PART DESCRIPTION	QTY
102077GS	DECAL WARNING READ MANUAL	1
102603GS	DECAL G-FORCE 1600	1
102041GS	DECAL CAUTION HOT	1
102076GS	DECAL ELECTRICAL HAZARD	1
102048GS	DECAL GND	1
102590GS	MANUAL GENERIC-GFORCE	1