

DATE : 2.08.95

EXPLODED VIEW

DESCRIPTION :
OVERALL JETBOX

TABLE N° :
07 01621 000

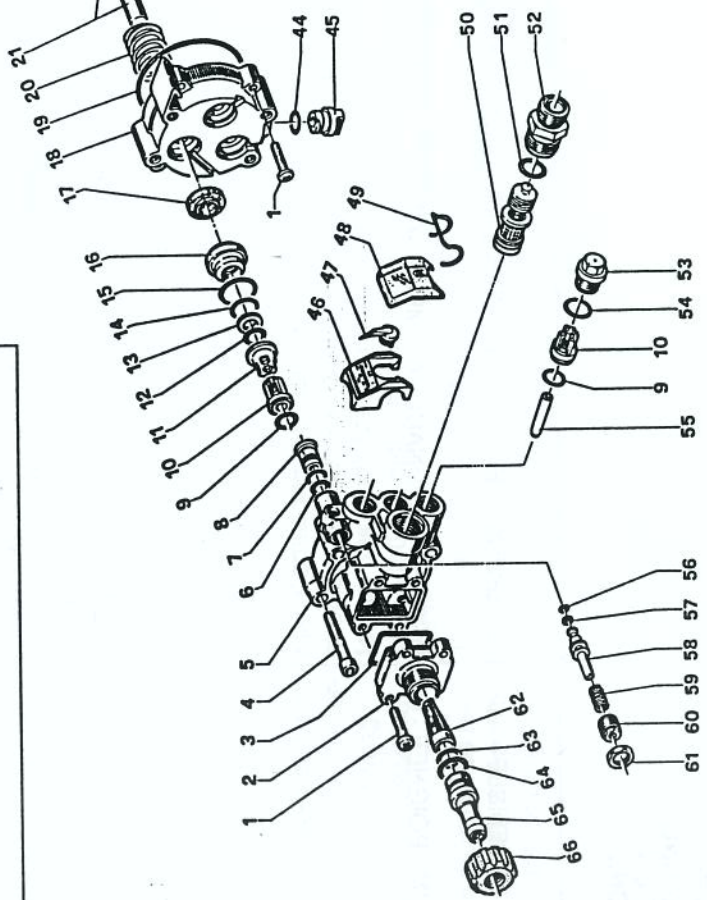
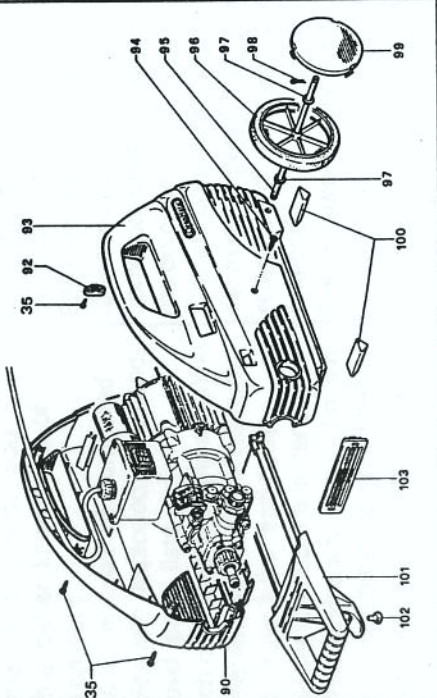
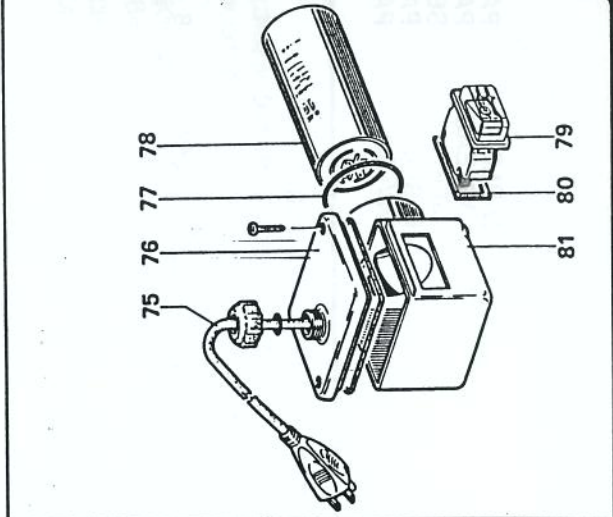
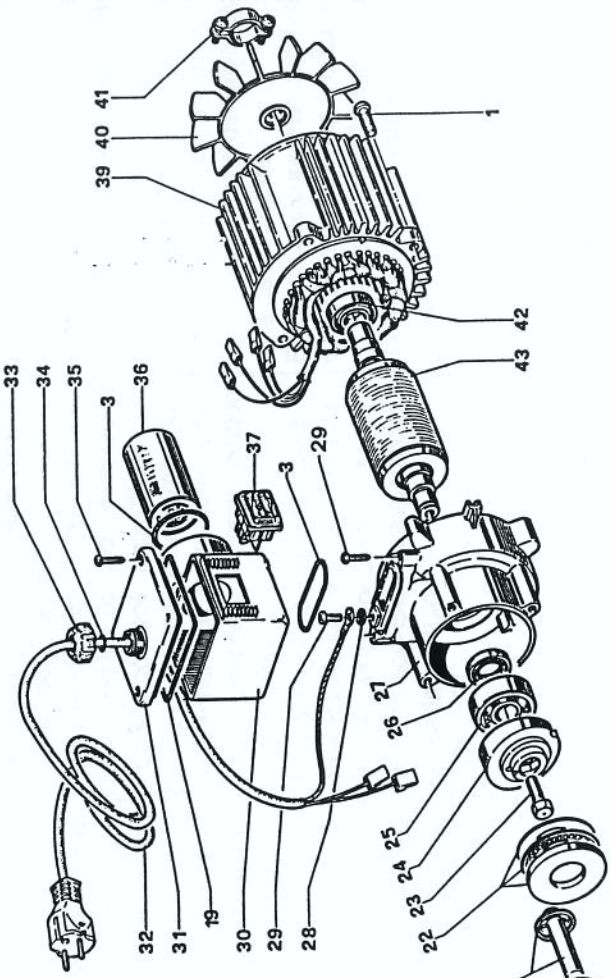


TABLE N° : 07 01621 000		DESCRIPTION : OVERALL JETBOX		SPARE PARTS LIST			DATE : 2.08.95		
REF.	CODE KIT	Q.TY	DESCRIPTION	DENOMINATION	BESCHREIBUNG	DESCRIPCION	DESCRIZIONE	TECHNICAL FEATURES	NOTES
1	01116	12	SCREW	VIS	SCHRAUBE	TORNILLO	VITE	TCEI 6X30	UNI5931
2	34480	1	FLANGE	BRIDE	FLANSCH	BRIDA	FLANGETTA	CBX	
3	03503	3	O-RING	O-RING	O-RING	O-RING	O-RING	D. 39.34 X 2.62	NBR 70SH
4	28567	4	SCREW	VIS	SCHRAUBE	TORNILLO	VITE	TCEI 8X50	UNI5931
5	34481	1	PUMP HEAD	CULASSE POMPE	PUMPE KNOPF	CABEZAL BOMBA	TESTATA POMPA	CBX AL	
6	12490	1	O-RING	O-RING	O-RING	O-RING	O-RING	D. 8.74 X 1.78	NBR 70SH
7	21638	1	O-RING	O-RING	O-RING	O-RING	O-RING	D. 7.60 X 2.62	NBR 70SH
8	28311	1	PRESSURE G.CYL.	CYLINDRE MANOM.	DRUCKMESSER ZYL	CILINDRO MANOM.	CILINDRO MANOM.	HBX	
9	11652 k	6	O-RING	O-RING	O-RING	O-RING	O-RING	D. 12.42 X 1.78	NBR 70SH
10	28308 k	6	VALVE UNIT	ENSEMBL. CLAPET	VENTILAGGREGAT	GRUPO VALVULA	GRUPPO VALVOLA	HBX	
11	34482	3	SPACER	ENTRETOISE	DISTANZSTUCK	SEPARADOR	DISTANZIALE	CBX	
12	01047 k	3	O-RING	O-RING	O-RING	O-RING	O-RING	D. 11.91 X 2.62	NBR 70SH
13	34483 k	3	ANTI-EXTR.RING	BAGUE ANTIEXTR.	SCHUTZRING	ANILLO DE PROT.	ANELLO ANTIES.	D.12 X16.7X3	
14	09699 k	3	O-RING	O-RING	O-RING	O-RING	O-RING	D. 18.77 X 1.78	NBR 70SH
15	01037 k	3	O-RING	O-RING	O-RING	O-RING	O-RING	D. 23.81 X 2.62	NBR 70SH
16	34484 k	3	PACKING RETAIN.	BAGUE P.GARNIT.	MANSCHETT.HALT.	ANILLO P.GUARN.	ANELLO DI FONDO	D. 12	
17	34485 k	3	OIL SEAL	JOINT SPI	OLDCHTUNGSRING	ANILLO RET.ACE.	ANELLO RADIALE	12X 22X 4	NBR 70
18	34486	1	PISTON FLANGE	BRIDE G.PISTON	KOLBEN-FLANSCH	BRIDA G.PISTON	FLANGIA G.PIST.	CBX	
19	28317	2	O-RING	O-RING	O-RING	O-RING	O-RING	D. 82.22 X 2.62	NBR 70SH
20	34487	3	SPRING	RESSORT	FEDER	MUELLE	MOLLA	D. 25.5 X40	CBX
21	34488	3	PISTON	PISTON	KOLBEN	PISTON	PISTONE	D. 12	CBX
22	28804	1	ROLLER BEARING	ROULEM.A ROUL.	ROLLENLAGER	COJIN. RODILLOS	CUSCIN.A RULLI	ZX	
23	00447	1	SCREW	VIS	SCHRAUBE	TORNILLO	VITE	TE 8X25	UNI5739
24	34489	1	CAP	PLAT	KLEINER TELLER	PLATILLO	PIATTELLO	CBX 50HZ	50 HZ
24	34490	1	CAP	PLAT	KLEINER TELLER	PLATILLO	PIATTELLO	CBX 60HZ	60 HZ
25	34491	1	BALL BEARING	ROULEM.A BILLES	KUGELLAGER	COJINE.DE BOLAS	CUSCIN.A SFERE	6303	
26	01001	1	OIL SEAL	JOINT SPI	OLDCHTUNGSRING	ANILLO RET.ACE.	ANELLO RADIALE	20X 30X 5	NBR70
27	34492	1	PUMP CRANKCASE	CARTER POMPE	PUMPE GEHAUSE	CARTER BOMBA	CARTER POMPA	CBX	
28	03590	1	WASHER	RONDELLE	SCHEIBE	ARANDELA	ROSETTA	D. 5.3X9X0.6	
29	13795	3	SCREW	VIS	SCHRAUBE	TORNILLO	VITE	TCB-TC 5X12 SV.FORM	
30	34493	1	CONTROL BOX	BOITE CONTROLE	STEUERUNG KAST.	CAJITA MANDO	CASSETT.COMANDI	CLEANBOX	
31	34494	1	BOX COVER	COUVERCLE BOITE	KASTENDECKEL	TAPA CAJITA	COPERCHIO CASS.	CLEANBOX	

TABLE N° : 07 01621 000		DESCRIPTION : OVERALL JETBOX		SPARE PARTS LIST			DATE : 2.08.95		
REF.	CODE KIT	Q.TY	DESCRIPTION	DENOMINATION	BESCHREIBUNG	DESCRIPCION	DESCRIZIONE	TECHNICAL FEATURES	NOTES
32	18699	1	CABLE	CABLE	KABEL	CABLE	CAVO	CLT 220-240/50	
33	28326	1	WING NUT	ELROU A AILETT.	FLUGELMUTTER	TUERCA	GALLETTO	G1/2	HBX
34	28327	1	O-RING	O-RING	O-RING	O-RING	O-RING	D. 7.51 X 3.53	NBR 70SH
35	28063	11	SCREW	VIS	SCHRAUBE	TORNILLO	VITE	TCB-TC 4X20	UNI8112
36	28323	1	CONDENSER	CONDENSEUR	KONDENSATOR	CONDENSADOR	CONDENSATORE	20 MF 450V	
37	28744	1	SWITCH	INTERRUPTEUR	SCHALTER	INTERRUPTOR	INTERRUTTORE	SLX 16A 250V 0-1 LUM. RS	
39	34495	1	EL.MOT. STATOR	STATOR MOT.EL.	MOTOR STATOR	STATOR MOT.EL.	STATORE MOT.EL.	CBX 2.4HP 230V 50HZ	
39	34496	1	EL.MOT. STATOR	STATOR MOT.EL.	MOTOR STATOR	STATOR MOT.EL.	STATORE MOT.EL.	CBX 2.2HP 100V 60HZ	
39	34497	1	EL.MOT. STATOR	STATOR MOT.EL.	MOTOR STATOR	STATOR MOT.EL.	STATORE MOT.EL.	CBX 2.4HP 115V 60HZ	
39	34498	1	EL.MOT. STATOR	STATOR MOT.EL.	MOTOR STATOR	STATOR MOT.EL.	STATORE MOT.EL.	CBX 2.4HP 230V 60HZ	
40	34499	1	MOTOR FAN	VENTIL. MOTEUR	MOTORLUFTERRAD	VENTIL. MOTOR	VENTOLA MOTORE	CBX	
41	34500	1	CLAMP	BORNE	KLEHME	PRENS. SUJECION	MORSETTO	CBX	
42	34501	1	BALL BEARING	ROULEM.A BILLES	KUGELLAGER	COJINE.DE BOLAS	CUSCIN.A SFERE	6003 2Z	
43	34502	1	EL.MOT. ROTOR	ROTOR MOTEUR E.	ROTOR MOTOR	ROTOR MOTOR EL.	ROTORE M.EL.	2.4HP M 5/60HZ	
44	15198	1	O-RING	O-RING	O-RING	O-RING	O-RING	D. 13.10 X 2.62	NBR 70SH
45	34503	1	CAP	BOUCHON	VERSCHLUSS	TAPON	TAPPO	D. 14	CBX
46	28337	1	DIAL	CADRAN	ZEIGERBLATT	CUADRANTE	QUADRANTE	KR 90-92	
47	09730	1	INDICATOR	INDICATEUR	ZEIGER	INDICADOR	INDICATORE	KR	
48	09729	1	COVER	COUVERCLE	DECKEL	TAPA	COPERCHIO	KR	
49	09728	1	SPRING	RESSORT	FEDER	MUELLE	MOLLA	D.18	KR
50	28341	1	INT.PUMP	INTERIEUR POMPE	INTERN PUMPE	INT.BOMBA	INTERNO POMPA	HBX	
51	19395	1	O-RING	O-RING	O-RING	O-RING	O-RING	D. 20.24 X 2.62	NBR 70SH
52	28340	1	NIPPLE	NIPPLE	NIPPEL	NIPLO	NIPPLO	M22- M/M	HBX
53	28309 k	3	CAP	BOUCHON	VERSCHLUSS	TAPON	TAPPO	M18X1.5X10	
54	03505 k	3	O-RING	O-RING	O-RING	O-RING	O-RING	D. 15.6 X 1.78	NBR 70SH
55	34504	2	PIPE	TUYAU	ROHR	TUBO	TUBETTO	D. 8X38	CBX
56	28610	1	O-RING	O-RING	O-RING	O-RING	O-RING	D. 3 X 2	NBR 70SH
57	34505	1	ANTI-EXTR.RING	BAGUE ANTIEXTR.	SCHUTZRING	ANILLO DE PROT.	ANELLO ANTIES.	D. 2.9X 1.8	
58	27718	1	SMALL PISTON	PETIT PISTON	STUEKOLBEN	PISTONCINO	PISTONCINO	IP 90BAR	
59	09726	1	SPRING	RESSORT	FEDER	MUELLE	MOLLA	7.2X18	KR
60	09725	1	SCREW	VIS	SCHRAUBE	TORNILLO	VITE	M 14X1	KR
61	09724	1	NUT	ECROU	SCHRAUBMUTTER	TUERCA	DADO	M14X1	KR

DATE: 2.08.95

EXPLODED VIEW

DESCRIPTION:
OVERALL JETBOX

TABLE N°:
07 01621 000

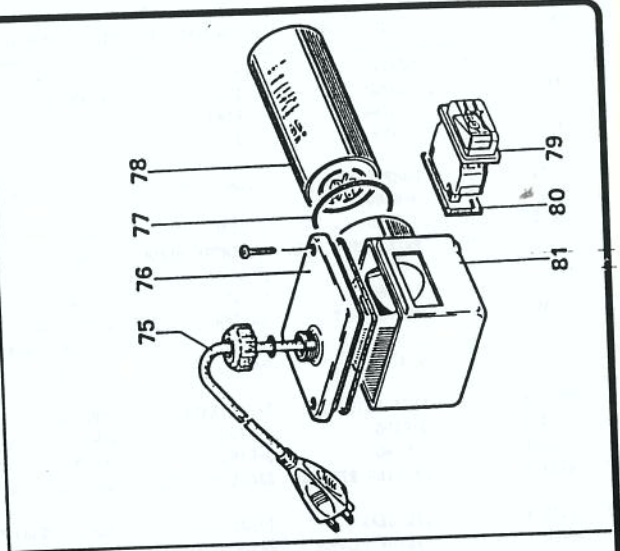
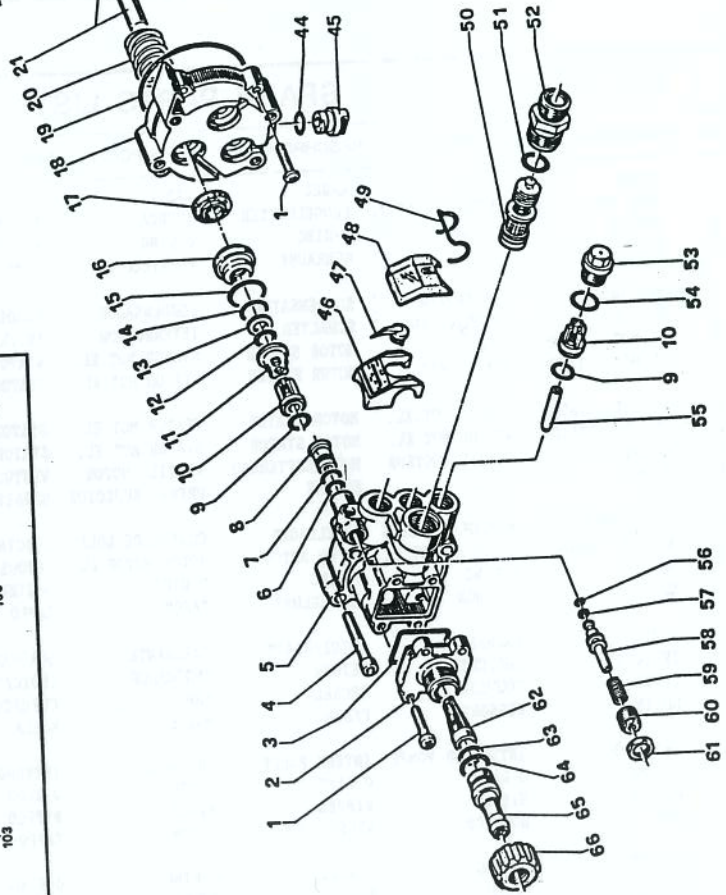
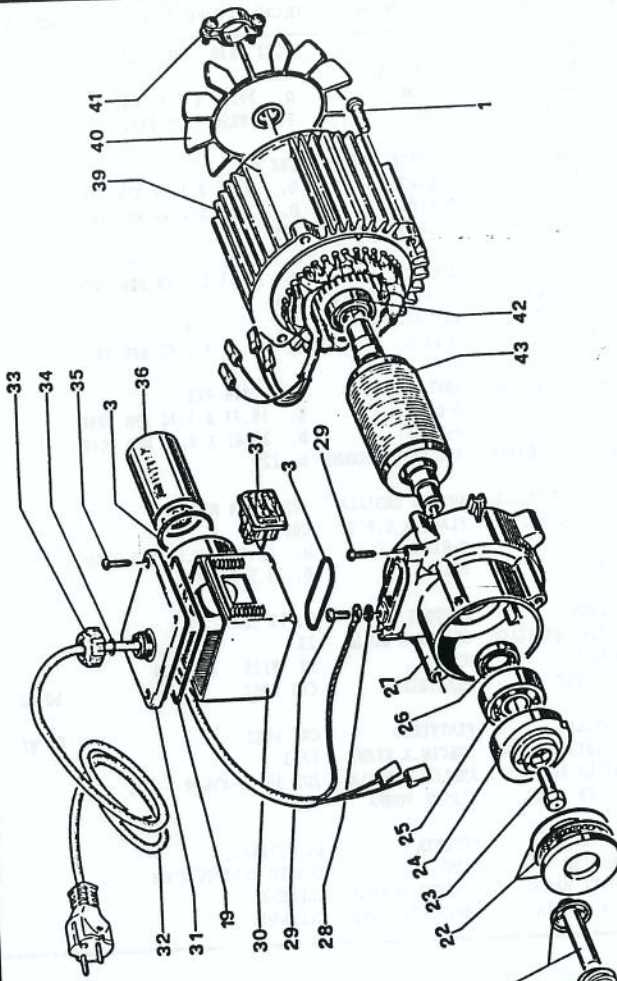
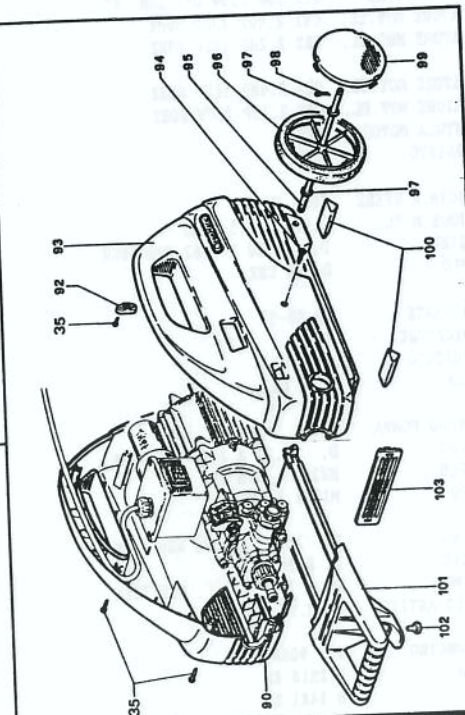


TABLE N° :		DESCRIPTION :		SPARE PARTS LIST				DATE :	
07 01621 000		OVERALL JETBOX						2.08.95	
REF.	CODE KIT	Q.TY	DESCRIPTION	DENOMINATION	BESCHREIBUNG	DESCRIPCION	DESCRIZIONE	TECHNICAL FEATURES	NOTES
62	28338	1	FILTER	FILTRE	FILTER	FILTRO	FILTRO	HBX	
63	03510	1	O-RING	O-RING	O-RING	O-RING	O-RING	D. 12.37 X 2.62 NBR 70SH	
64	09720	1	O-RING	O-RING	O-RING	O-RING	O-RING	D. 14 X 1.78 NBR 70SH	
65	28339	1	HOSE FITTING	RACC. P. TUYAU	SCHLAUCH HALTER	PORTAMANGUERA	PORTAGOMMA	HBX	
66	18733	1	RING NUT	FRETTE	NUTMUTTER	CASQUILLO	GHIERA	3/4 COLT	
75	18721	1	CABLE	CABLE	KABEL	CABLE	CAVO	CLT 100-115/60	USA VERS.
76	34506	1	BOX COVER	COUVERCLE BOITE	KASTENDECKEL	TAPA CAJITA	COPERCHIO CASS.	CLEANBOX US.	USA VERS.
77	09674	1	O-RING	O-RING	O-RING	O-RING	O-RING	D. 48.89 X 2.62 NBR 70SH	USA VERS.
78	09673	1	CONDENSER	CONDENSEUR	KONDENSATOR	CONDENSADOR	CONDENSATORE	80 MF BJ	USA VERS.
79	22056	1	SWITCH	INTERRUPTEUR	SCHALTER	INTERRUPTOR	INTERRUTTORE	WEB ABTWF 180C0-AZH10 18A	USA VERS.
80	28343	1	GASKET	GARNITURE	DICHTUNG	GUARNICION	GUARNIZIONE	HBX	USA VERS.
81	34507	1	CONTROL BOX	BOITE CONTROLE	STEUERUNG KAST.	CAJITA MANDO	CASSETT.COMANDI	CLEANBOX USA	USA VERS.
90	34508	1	FAIRING	CARENAGE	VERKLEIDUNG	CARENADO	CARENATURA	CL. SX	
92	20872	1	CABLE FASTNER	COLLIER DE SER.	KABELBEFESTIGU.	CIERRACABLE	SERRACAVO	SUPER J.	
93	34509	1	FAIRING	CARENAGE	VERKLEIDUNG	CARENADO	CARENATURA	CL. DX	
94	07851	2	SCREW	VIS	SCHRAUBE	TORNILLO	VITE	TCB-TC 4.8X13	
95	34510	1	WHEELS AXLE	AXE ROUE	RADACHSE	EJE RUEDA	ASSE RUOTE	CL	
96	34511	2	WHEEL	ROUE	LAUFRAD	RUEDA	RUOTA LIBERA	D.150 CL	
97	15146	4	WASHER	RONDELLE	SCHEIBE	ARANDELA	ROSETTA	D. 8 INX GRW UNI 1751	
98	13514	2	SPLIT PIN	GOUPILLE	SPLINT	CLAVETA	COPIGLIA	D. 2X20 UNI 1336	
99	34512	2	HUB CAP	PROTEGE MOYEU	NABENDECKEL	TAPA EJE	COPRIMOZZO	D. 115 CL	
100	34513	2	FOOT	PETIT PIED	WINKEL	PIE	PIEDINO	CL	
101	34514	1	HANDLE	POIGNEE	HANDGRIFF	MANGO	MANICO	CL	
103	34515	1	FAN GRID	GRILLE D'AREAGE	LUFTUNGSGITTER	REJILLA VENTIL.	GRIGLIA AREAZ.	CL	
KITS LIST									
28350	KIT P 15-134	ref.	9	10					
34516	KIT P 15-146	ref.	12	13 14 15 16					
34517	KIT P 15-147	ref.	17						
28348	KIT P 15-133	ref.	53	54					

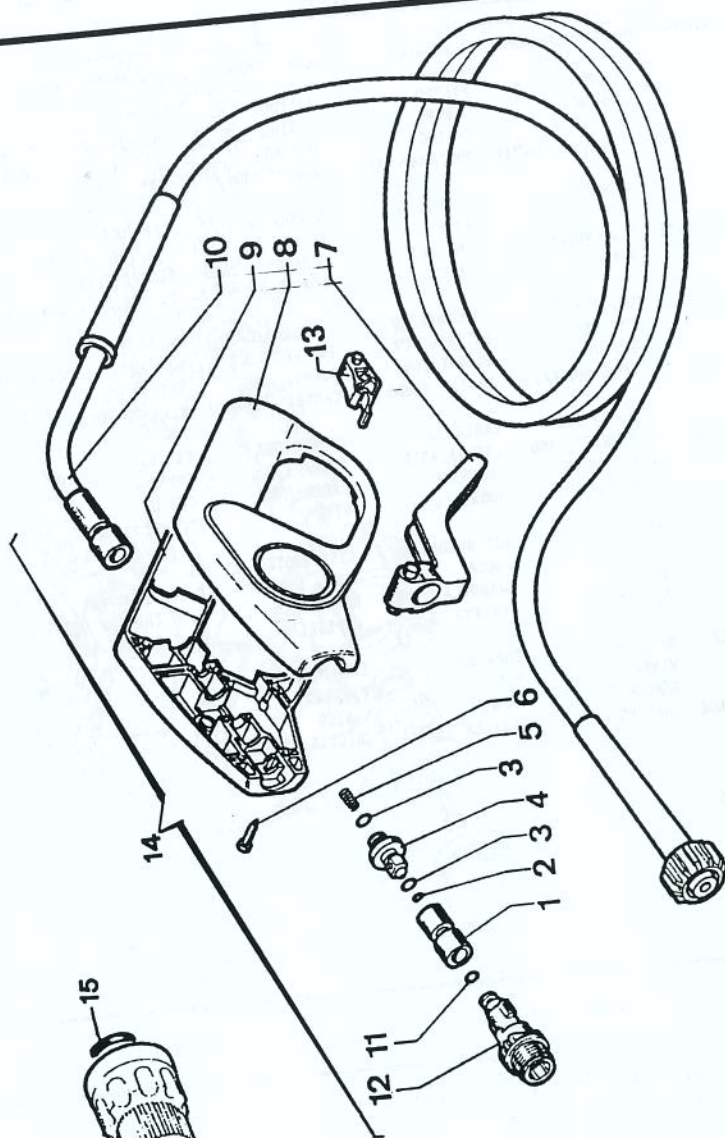
TABLE N° :		DESCRIPTION :		SPARE PARTS LIST				DATE :	
REF.	CODE KIT	Q.TY	DESCRIPTION	DENOMINATION	BESCHREIBUNG	DESCRIPCION	DESCRIZIONE	TECHNICAL FEATURES	NOTES

DATE : 3.08.95

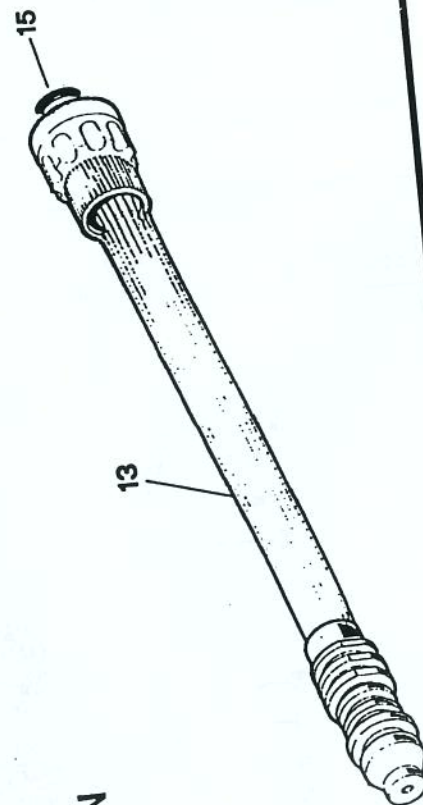
EXPLODED VIEW

DESCRIPTION :
SPRAY GUN P 55 - EXT.350

TABLE N° :
07 01349 002



VARIOJET



ROTOCLEAN

