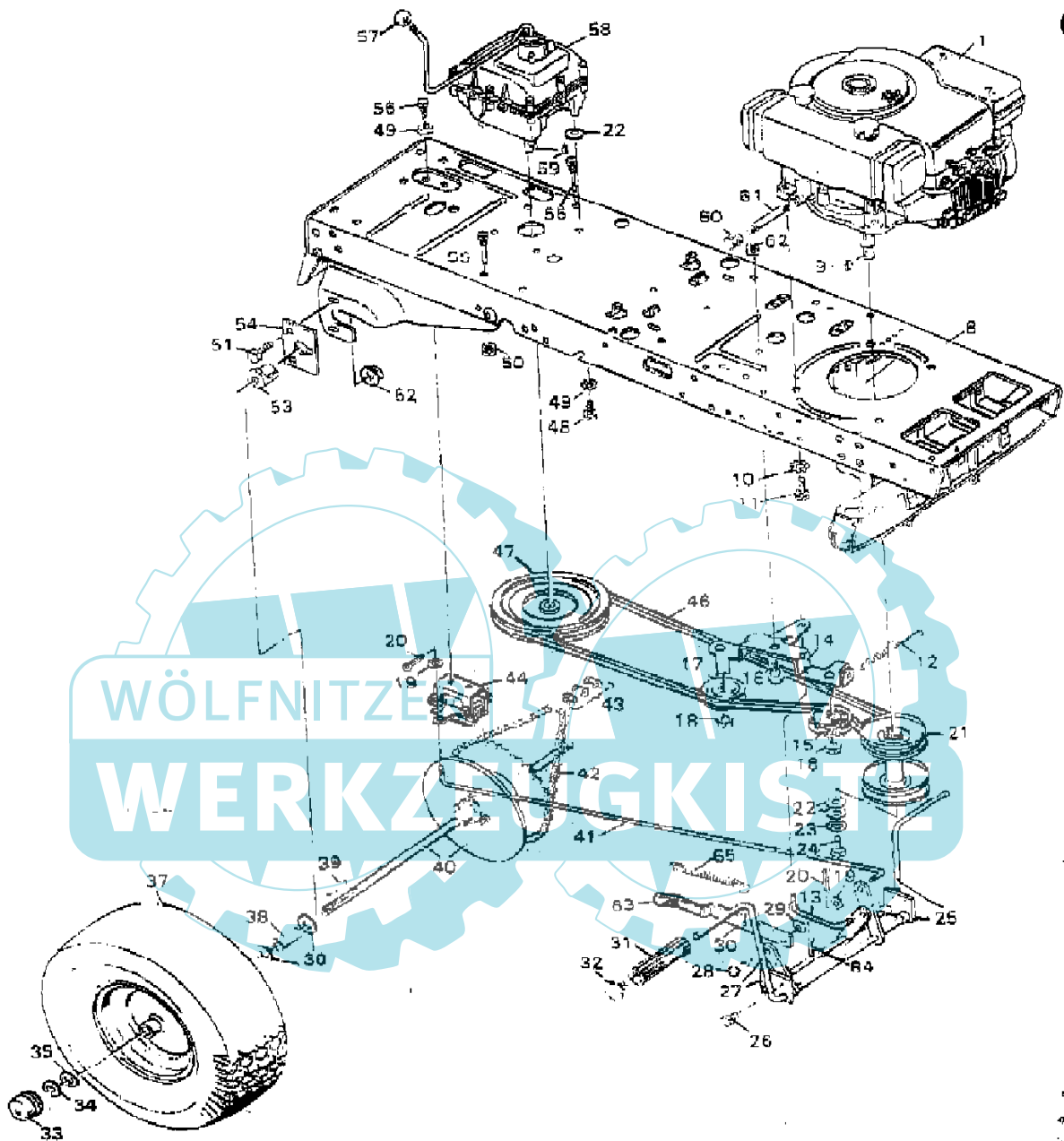


MODEL 9-3653

DRIVE SECTION



F-4021

MODEL 9-3653

Key No.	Part No.	Description	Key No.	Part No.	Description
1	-----	Engine		403008	Rim Only
2	404021	Frame Assembly		403007	Tire Only 18X8.50-8
3	20062	Woodruff Key # 6		400162	Valve Stem & Cap
10	19X8	Shakeproof Washer	38	88X44Z	Spacer Tube
11	20703	Engine Bolt 3/8"-16X1"	39	21553	Square Key
12	23724	Drive Idler Spring	40	21402	Differential W/Disc*
13	21681	Clutch Link Rod	41	21471	Brake Rod
14	21425	Idler Bracket & Stud Assembly	42	20733	Roller Chain
15	21408	Idler Pulley	43	20730	Connecting Link
16	9X12	Shoulder Bolt 3/8"-16X7/8"	44	21667	Brake
17	20613	Idler Pulley	45	11X7	Retainer Ring
18	15X84Z	Locknut 3/8"-16	46	23347	Drive Belt
19	17X47	Washer	47	75073	Drive Input Pulley
20	30X20	Cotter Pin	48	1X91	Bolt 5/16"-19X3/4"
21	21416Z	Stack Pulley Assembly	49	19X6	Shakeproof Washer
22	10851Z	Washer	50	15X79	Flange Nut 5/16" 18
23	19X38	Shakeproof Washer	51	1X86Z	Bolt 3/8"-16X3/4"
24	1X20	Bolt 3/8"-24X1"	52	15X85	Flange Nut 3/8"-16
25	21851	Clutch Lever Assembly	53	21400	Rear Axle Bearing
26	26X174	Screw 5/16"X3/4"	54	21422Z	Bearing Adjustment Plate
27	21949	Brake Lever Assembly	55	20819	Guide Belt
28	29X95	Clevis Pin	56	1X63	Bolt 5/16"-24X1-1/2"
29	17X86Z	Washer	57	20844	Knob
30	21484Z	Parking Brake Arm	58	24131PA	Transmission*
31	21844	Clutch & Brake Pedal	59	20897	Woodruff Key # 9
32	21535	Push On Cap	60	21651	Pipe Cap
33	21862	Hub Cap	61	21748	Oil Drain Extension
34	11X4	E-Ring	62	15X84	Locknut 3/8"-16
35	17X114	Washer	63	21434	Brake Grip - Parking
36	61861Z	Washer	64	20692	Cotter Hair Pin
37	21525	Wheel & Tire Assembly	65	20682	Parking Brake Arm Spring

- * Note: Complete illustration of Differential shown on page 98.
- * Note: Complete illustration of transmission shown on page 93.