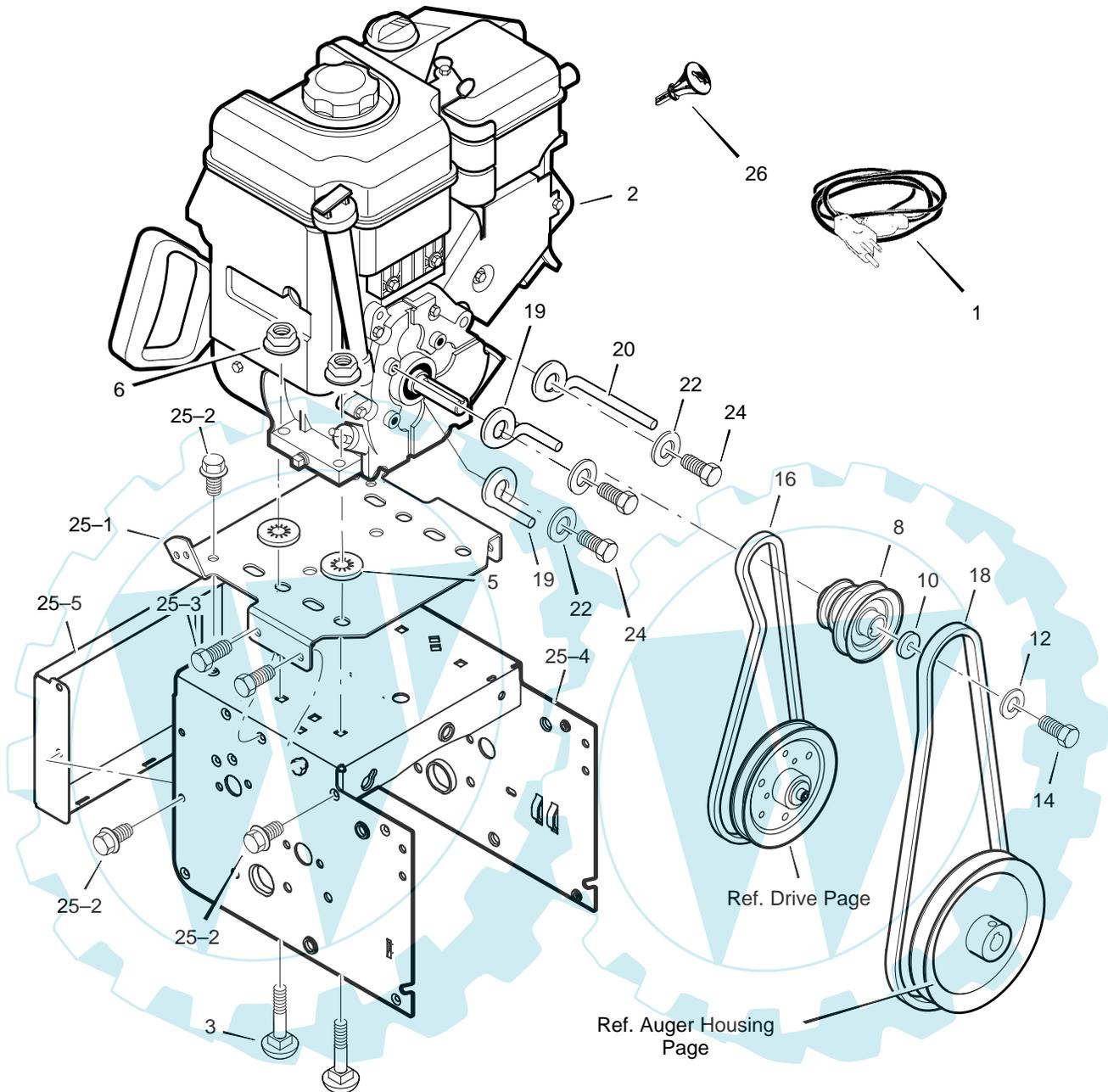


MODEL 629114x85B

REPAIR PARTS
ENGINE

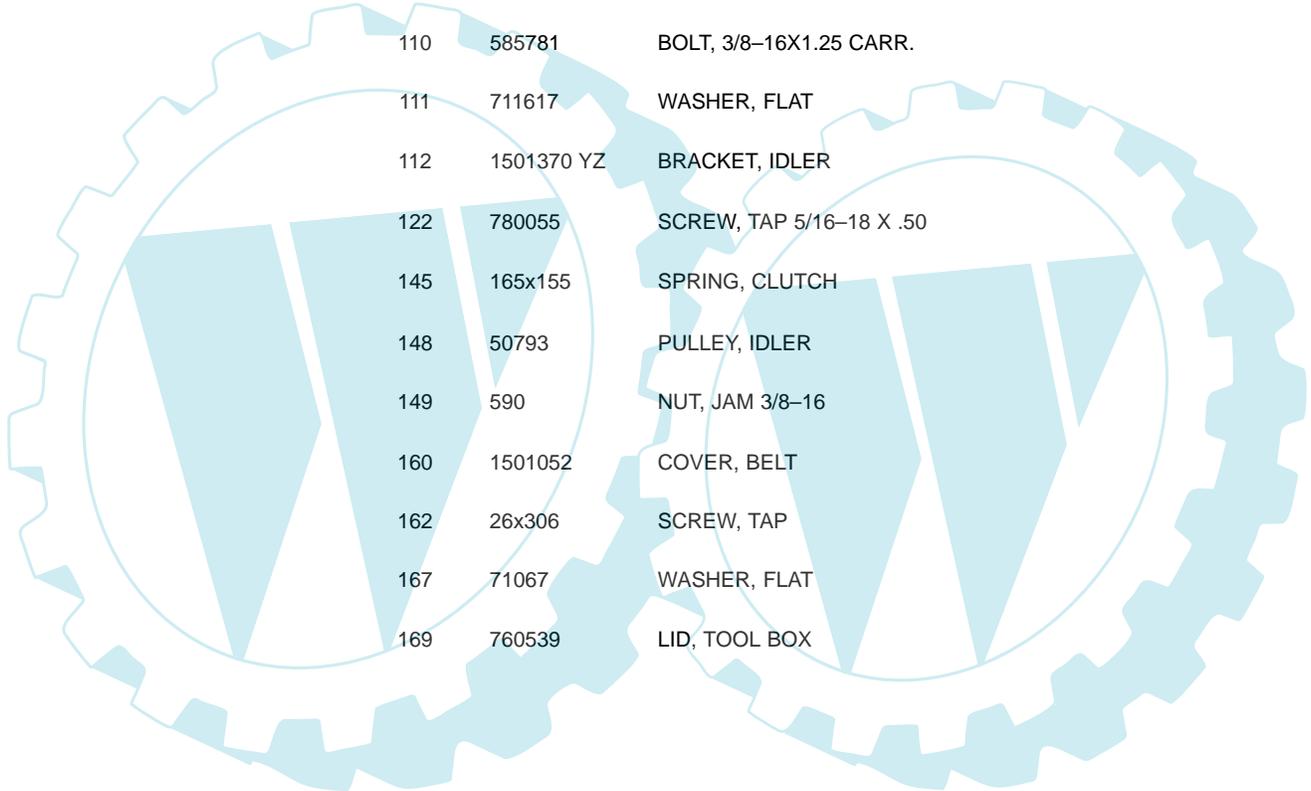


Key No.	Part No.	Description	Key No.	Part No.	Description
1	761332	CORD, STARTER	20	1501201	GUIDE, BELT
2	-----	ENGINE	22	71060	WASHER, SPTLK .31X.58X.08
3	002x97	BOLT, CARRIAGE 5/16-18	24	710097	SCREW, 5/16-24X 0.75
5	028x76	RETAINER, PUSH	25	-----	FRAME ASSEMBLY
6	710026	NUT, HEX 5/16-18	25-1	1501062E012	PLATE, ENGINE MOUNT
8	1501109	PULLEY, ENGINE	25-2	310169	SCREW, TAP 1/4-20 X .63
10	710247	WASHER	25-3	25x020	SCREW, TAP 5/16-18 X .50
12	71063	WASHER .38ID	25-4	1501295E012	FRAME, MOTOR BOX
14	71015	SCREW, 3/8-24X1.00	25-5	1501333E012	PANEL, BACK - HYDRO
16	37x127	BELT, HYDRO DRIVE	26	1501214	KEY, ENGINE
18	585416	BELT, AUGER V 4L	—	F-031047L	OWNER'S MANUAL
19	1501368	GUIDE, BELT			

MODEL 629114x85B

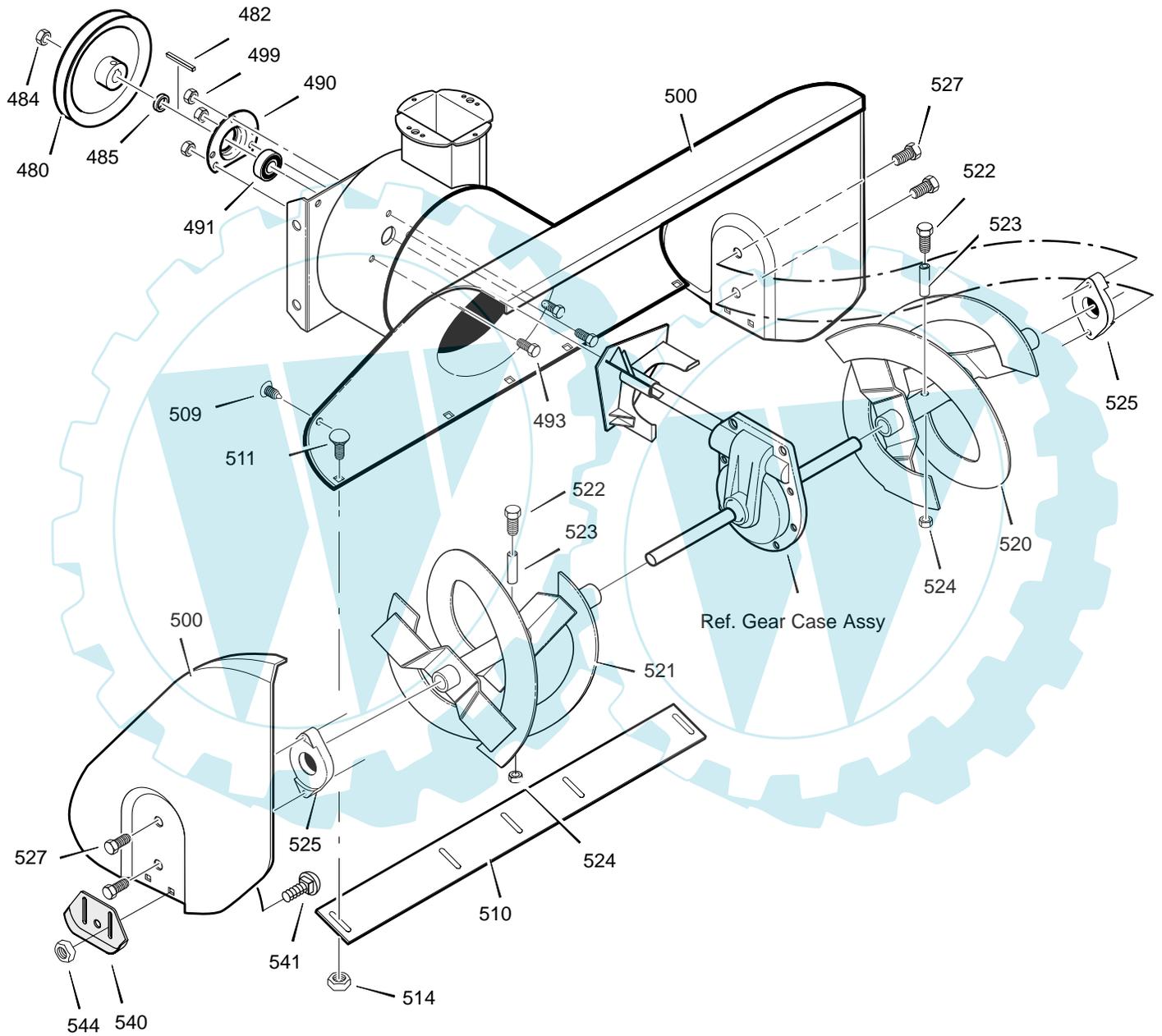
**REPAIR PARTS
FRAME**

Key No.	Part No.	Description
103	1501369 YZ	IDLER ASSEMBLY, AUGER
105	711682	PIN, HAIR .38DIAx1.64LG
106	761761	PIN, CLEVIS 3/16" DIA
107	165x159	SPRING, TENSION
108	761675 YZ	ASSY., SPRING ATTACH
110	585781	BOLT, 3/8-16x1.25 CARR.
111	711617	WASHER, FLAT
112	1501370 YZ	BRACKET, IDLER
122	780055	SCREW, TAP 5/16-18 X .50
145	165x155	SPRING, CLUTCH
148	50793	PULLEY, IDLER
149	590	NUT, JAM 3/8-16
160	1501052	COVER, BELT
162	26x306	SCREW, TAP
167	71067	WASHER, FLAT
169	760539	LID, TOOL BOX



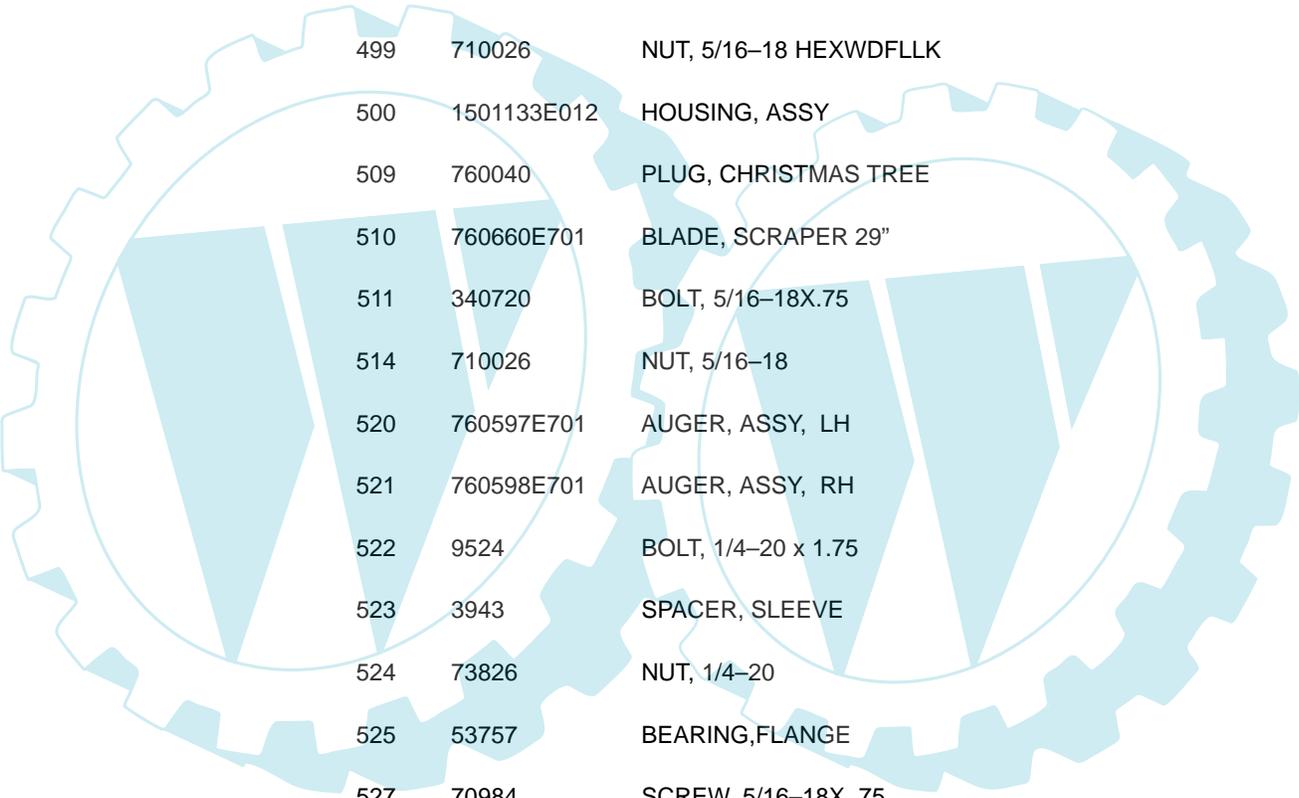
MODEL 629114x85B

REPAIR PARTS
AUGER HOUSING



MODEL 629114x85B

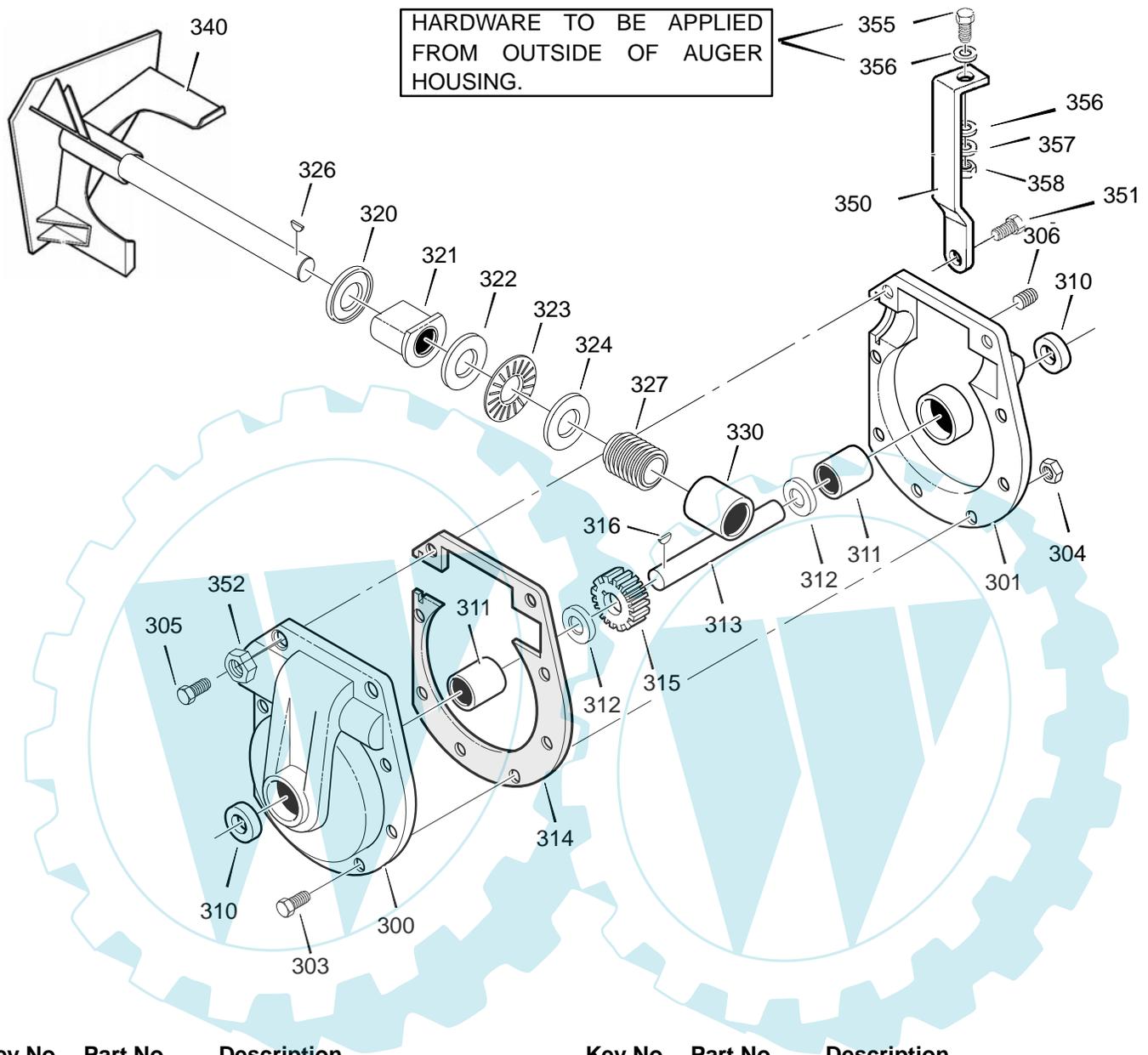
REPAIR PARTS AUGER HOUSING



Key No.	Part No.	Description
480	583146	PULLEY, 4L 8.40 OD
482	2001022	KEY, SQUARE 3/16 X 3/4
484	15x112	NUT, 1/2-20
485	1501158	SPACER, FRICTION PULLEY
490	582957 YZ	RETAINER, BALL BRNG
491	1501389	BEARING, BALL
493	001X92	BOLT, HEX 5/16-18X .50
499	710026	NUT, 5/16-18 HEXWDFLLK
500	1501133E012	HOUSING, ASSY
509	760040	PLUG, CHRISTMAS TREE
510	760660E701	BLADE, SCRAPER 29"
511	340720	BOLT, 5/16-18X.75
514	710026	NUT, 5/16-18
520	760597E701	AUGER, ASSY, LH
521	760598E701	AUGER, ASSY, RH
522	9524	BOLT, 1/4-20 x 1.75
523	3943	SPACER, SLEEVE
524	73826	NUT, 1/4-20
525	53757	BEARING,FLANGE
527	70984	SCREW, 5/16-18X .75
540	762376E701	SKID, HEIGHT ADJUST
541	340720	BOLT, 5/16-18 X .75
544	710026	NUT, 5/16-18
--	1501216	KIT, SHEAR BOLT

MODEL 629114x85B

**REPAIR PARTS
GEAR CASE**



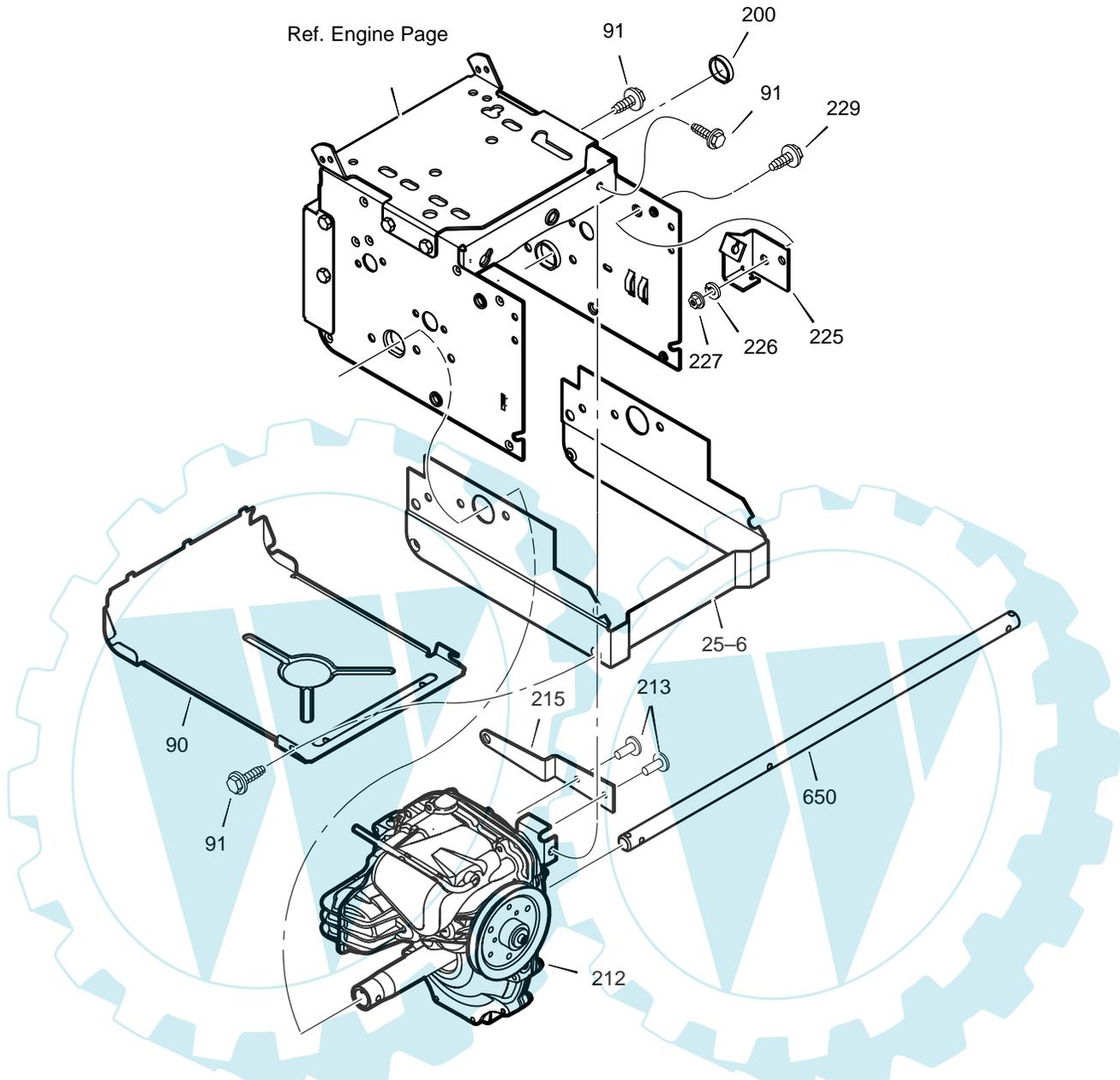
HARDWARE TO BE APPLIED FROM OUTSIDE OF AUGER HOUSING.

Key No.	Part No.	Description
300	896	CASE, GEAR, RH
301	895	CASE, GEAR, LH
303	910828	SCREW, 5/16-24 x 1.00
304	71100	NUT, 5/16-24
305	330434	SCREW, 5/16-24 x 1.75
306	53749	PLUG, PIPE 0.25-18
310	780151	SEAL, OIL
311	53743	BEARING, SLEEVE
312	53748	WASHER, FLAT
313	760528	SHAFT, AUGER OUTPUT
314	897	GASKET, GEAR BOX
315	53730	WORM GEAR

Key No.	Part No.	Description
316	73905	KEY, WOODRUFF #91
320	53737	RING, QUAD 0.924 ID
321	583126	BEARING, FLANGE
322	48275	WASHER, FLAT
323	50684	BEARING, ROLLER
324	48275	WASHER, FLAT
326	50795	KEY
327	53732	WORM
330	53731	BEARING, SLEEVE
340	1501147E701	IMPELLER
—	333431	10oz TUBE LUBRIPLATE

MODEL 629114x85B

REPAIR PARTS
DRIVE

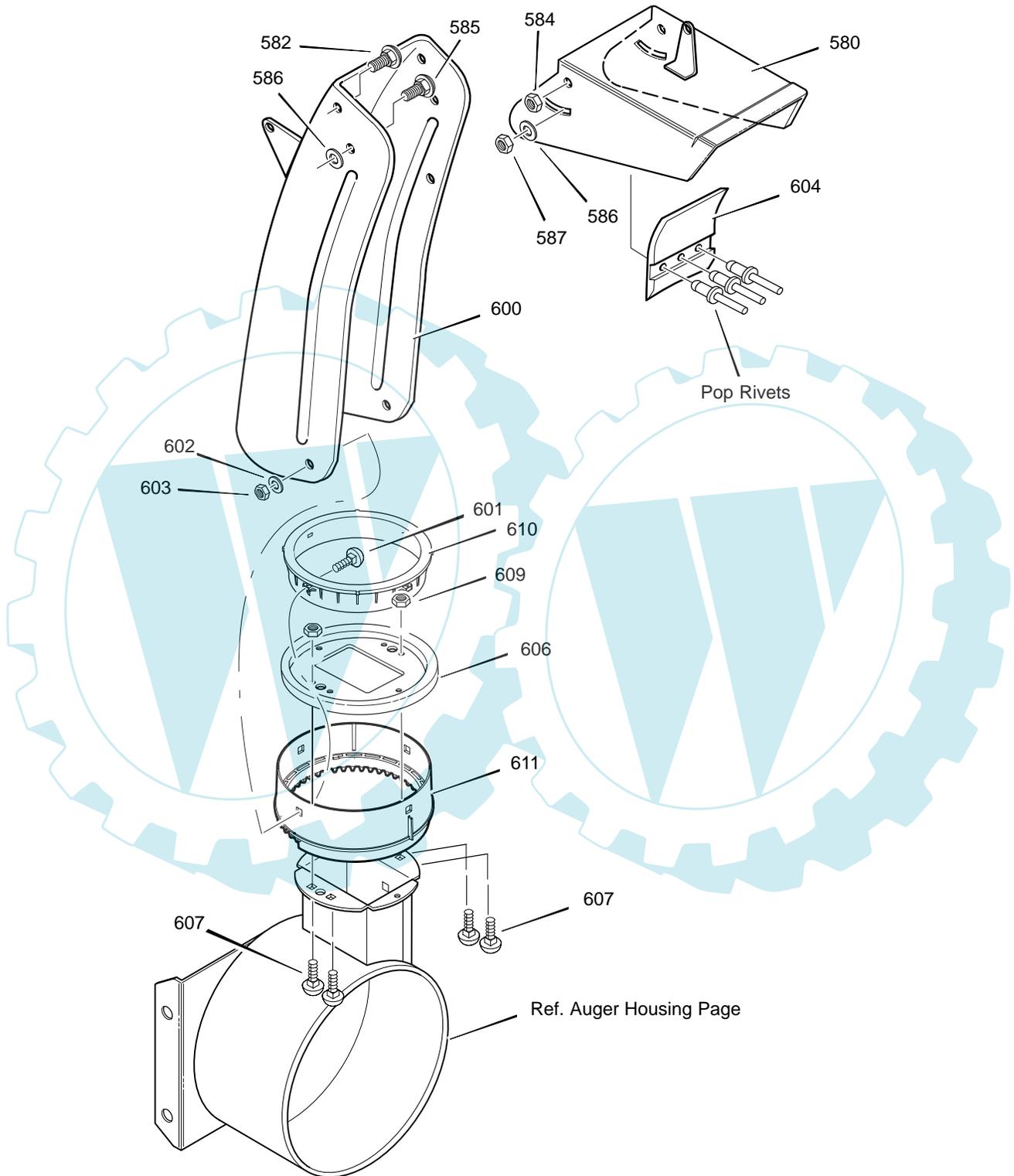


Key No.	Part No.	Description	Key No.	Part No.	Description
90	1501311E701	COVER, BOTTOM	215	1501366	ARM, CONTROL EXTENSION
91	310169	SCREW, 1/4-20 X 0.62	225	1501361	BRACKET, DRIVE CABLE
25-6	1501334E012	FRAME, EXTENSION – HYDRO	226	71063	WASHER, LOCK
200	1501496	PLUG, HEYCO	227	71045	NUT, HEX JAM – 3/8-16
212	---*---	TRANSMISSION, HYDRO GEAR	229	025X19	SCREW
213	021X11	RIVET, BLIND	650	1501365	AXLE, WHEEL

* For service on the HYDRO-GEAR Transmission, model number 1501353:
CONTACT:Your local HYDRO-GEAR Authorized service dealer.

MODEL 629114x85B

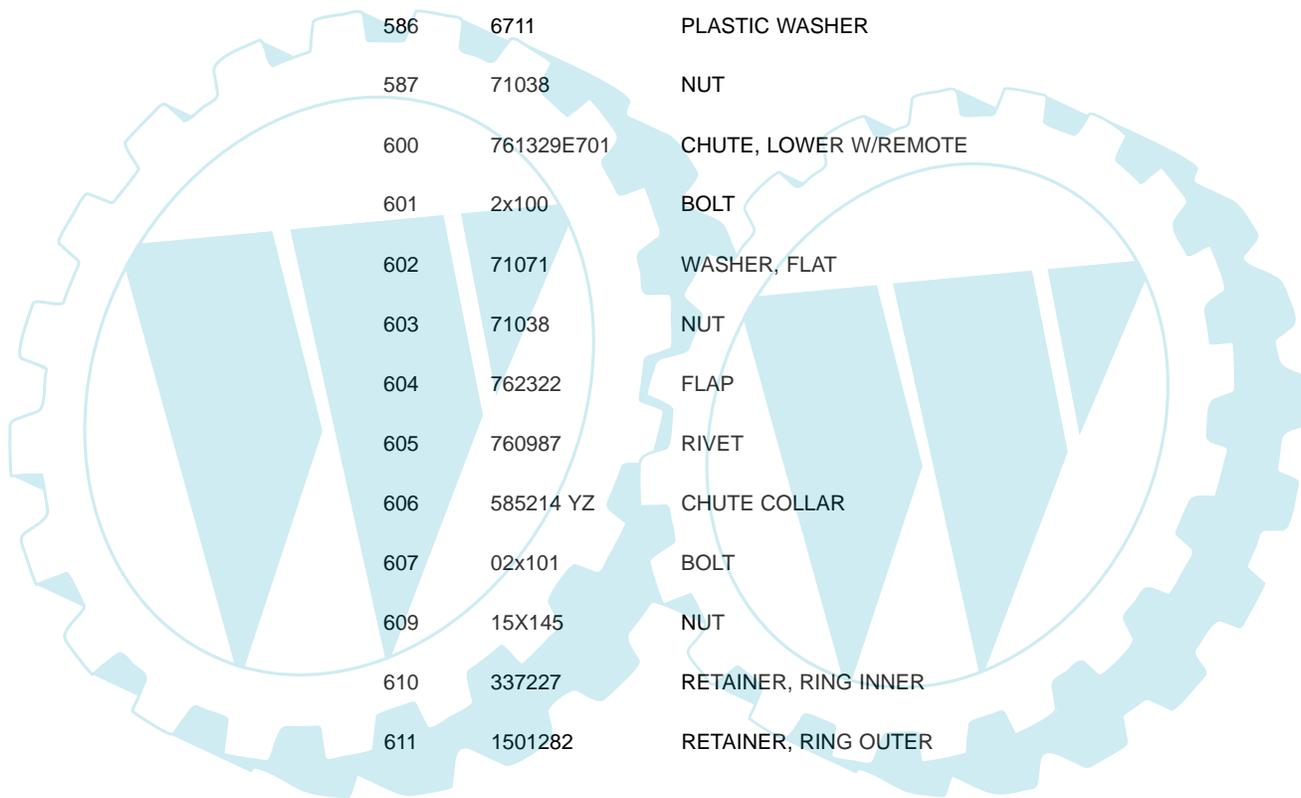
**REPAIR PARTS
DISCHARGE CHUTE**



MODEL 629114x85B

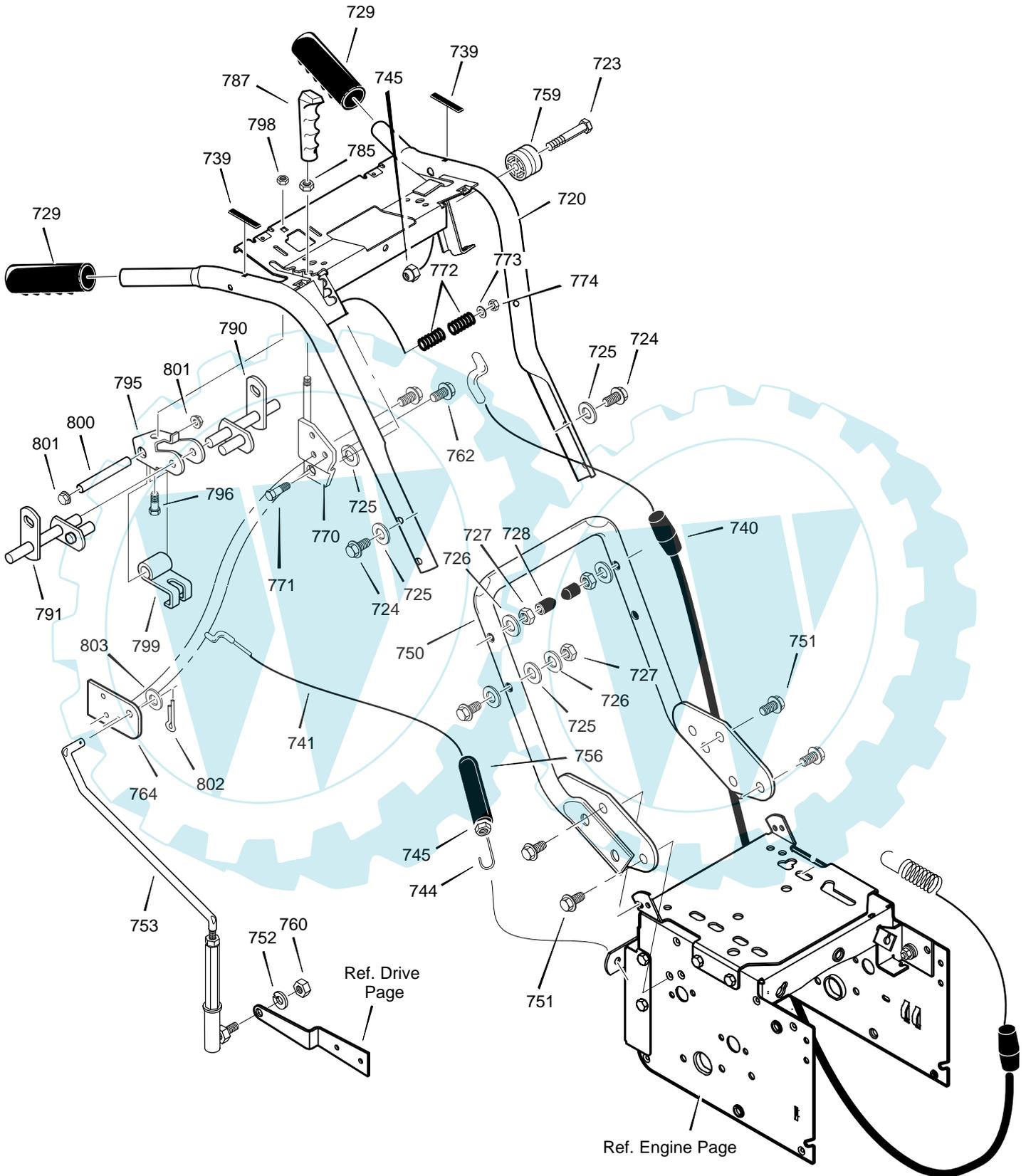
REPAIR PARTS DISCHARGE CHUTE

Key No.	Part No.	Description
580	761168E701	CHUTE, UPPER W/REMOTE
582	578088	SCREW, 5/16-18 X.75
584	71038	NUT
585	578088	SCREW, 5/16-18 X.75
586	6711	PLASTIC WASHER
587	71038	NUT
600	761329E701	CHUTE, LOWER W/REMOTE
601	2x100	BOLT
602	71071	WASHER, FLAT
603	71038	NUT
604	762322	FLAP
605	760987	RIVET
606	585214 YZ	CHUTE COLLAR
607	02x101	BOLT
609	15X145	NUT
610	337227	RETAINER, RING INNER
611	1501282	RETAINER, RING OUTER



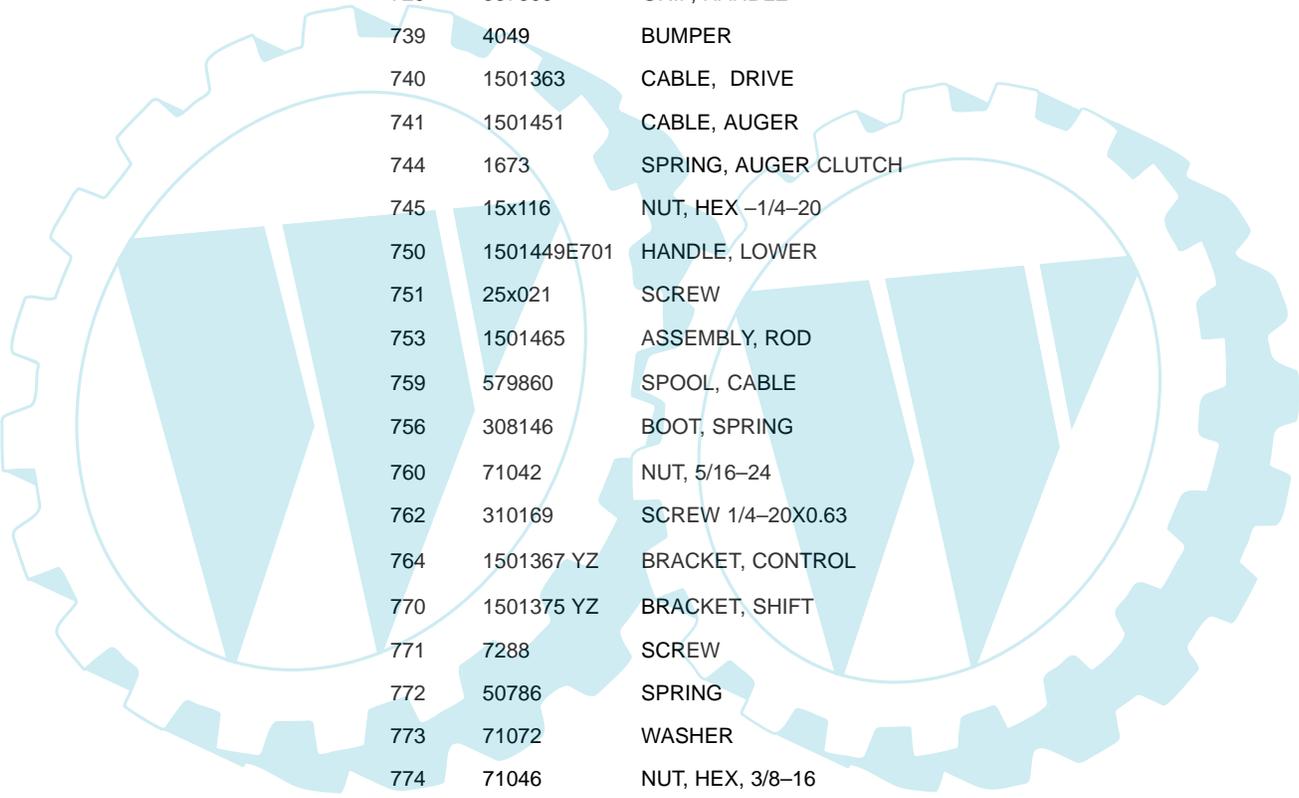
MODEL 629114x85B

REPAIR PARTS
HANDLE



MODEL 629114x85B

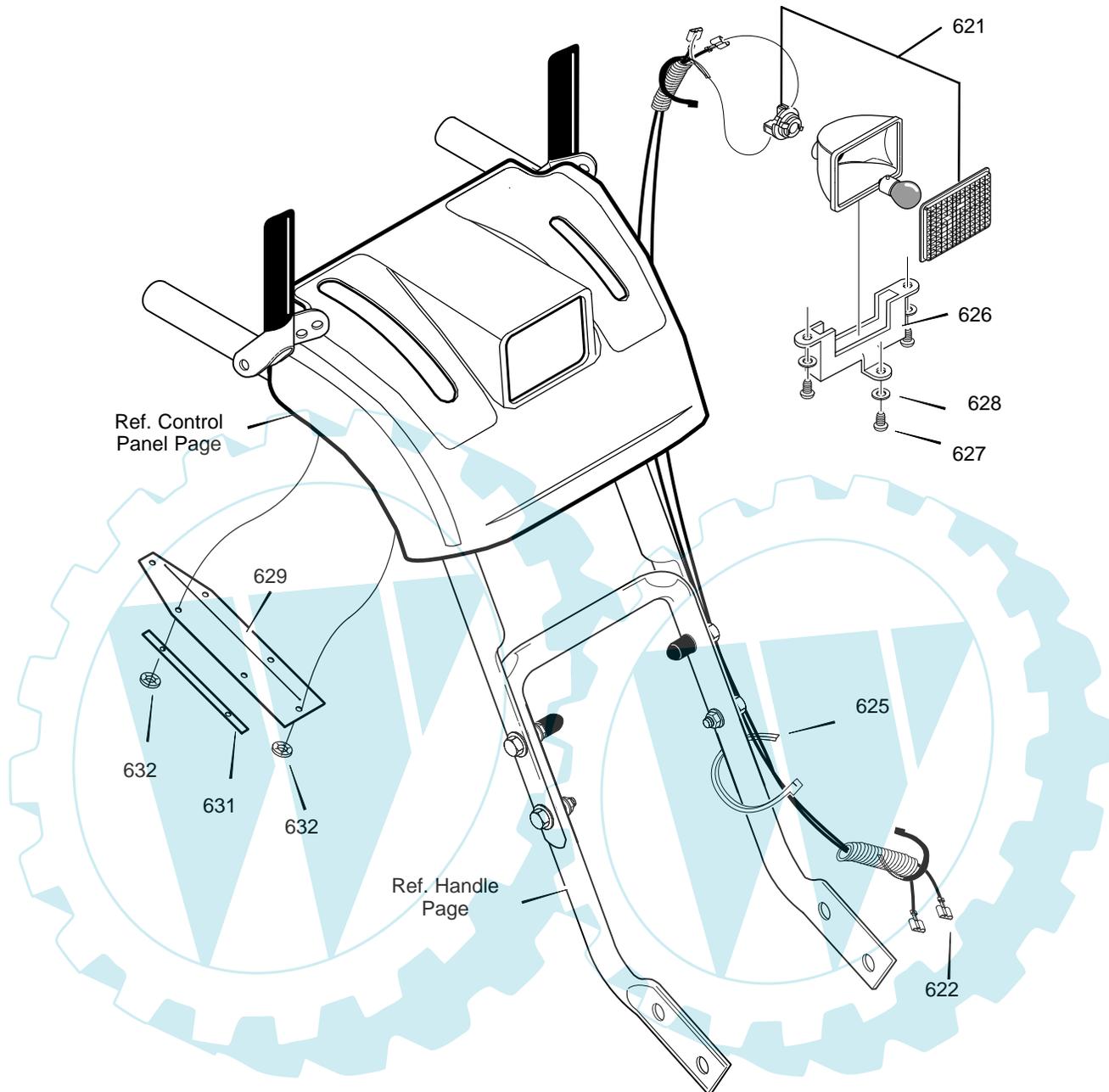
**REPAIR PARTS
HANDLE**



Key No.	Part No.	Description
720	1501381E701	ASSY., HANDLE
723	01x129	BOLT
724	7288	SCREW
725	71072	WASHER
726	71062	WASHER
727	71044	NUT
728	7289	STOP, PLASTIC
729	337399	GRIP, HANDLE
739	4049	BUMPER
740	1501363	CABLE, DRIVE
741	1501451	CABLE, AUGER
744	1673	SPRING, AUGER CLUTCH
745	15x116	NUT, HEX -1/4-20
750	1501449E701	HANDLE, LOWER
751	25x021	SCREW
753	1501465	ASSEMBLY, ROD
759	579860	SPOOL, CABLE
756	308146	BOOT, SPRING
760	71042	NUT, 5/16-24
762	310169	SCREW 1/4-20X0.63
764	1501367 YZ	BRACKET, CONTROL
770	1501375 YZ	BRACKET, SHIFT
771	7288	SCREW
772	50786	SPRING
773	71072	WASHER
774	71046	NUT, HEX, 3/8-16
785	71045	NUT, HEX, 3/8-16
787	306689	KNOB, SHIFT
790	578926E701	ROD, ASSY LH
791	578924E701	ROD, ASSY RH
795	579002 YZ	BRACKET, CAM
796	002x53	SCREW
798	71038	NUT, NYLOCK
799	8417	CAM LOCK
800	584673	PIN, SPRING PIVOT
801	73664	NUT, PUSH ON
802	71081	PIN, COTTER
803	71071	WASHER

MODEL 629114x85B

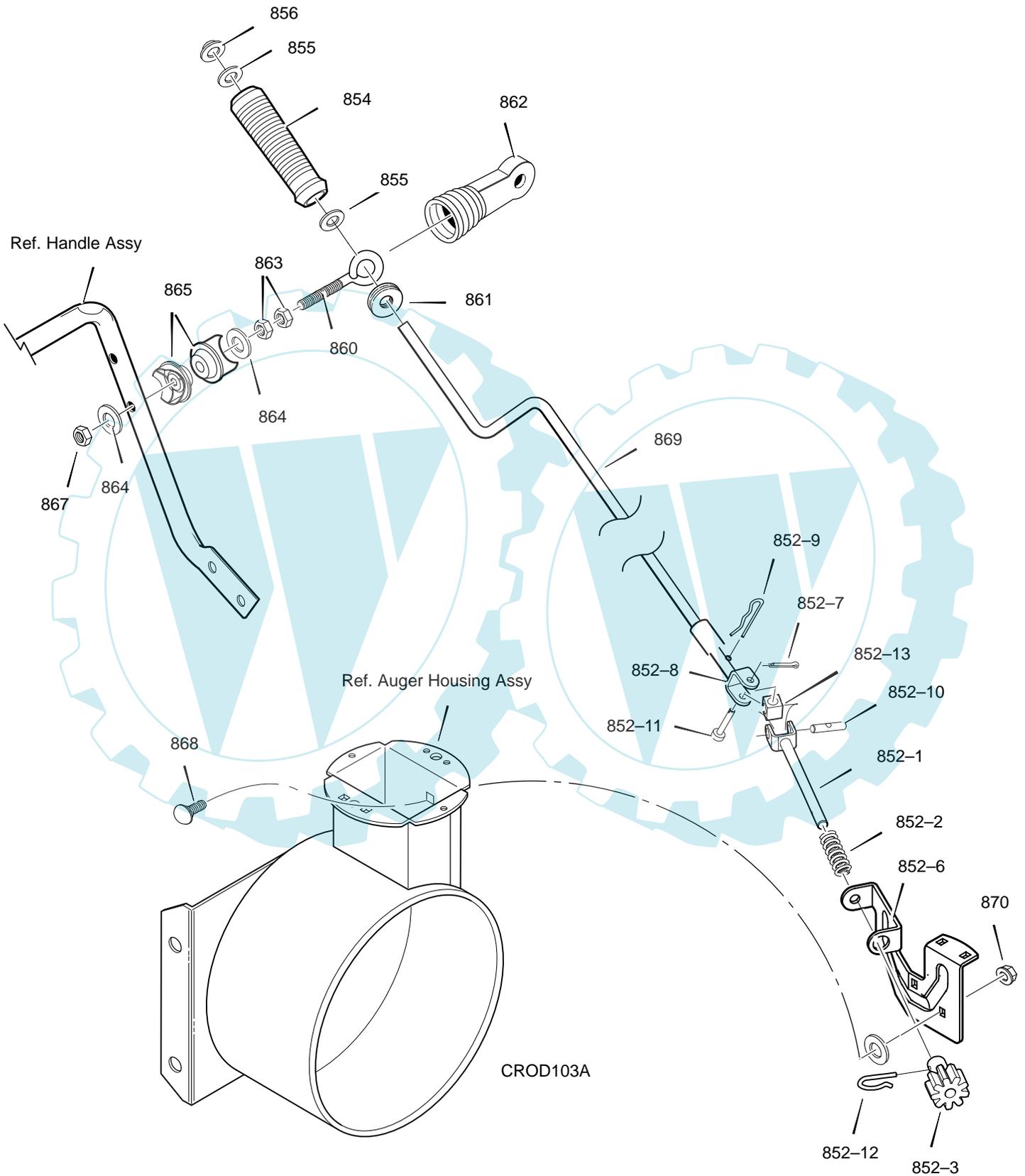
**REPAIR PARTS
HEADLIGHT**



Key No.	Part No.	Description
621	762343	LIGHT, HALOGEN
622	1501455	HARNESS, WIRE
625	071372	TIE, CABLE
626	578921	BRACKET, LIGHT
627	901696	SCREW #8 X .50
628	901736	WASHER, FLAT
629	1501401	COVER, SPEED LEVER
629	1501402	COVER, CHUTE LEVER
630	1501330	FRAME, SPEED LEVER
632	028x79	NUT, PUSH

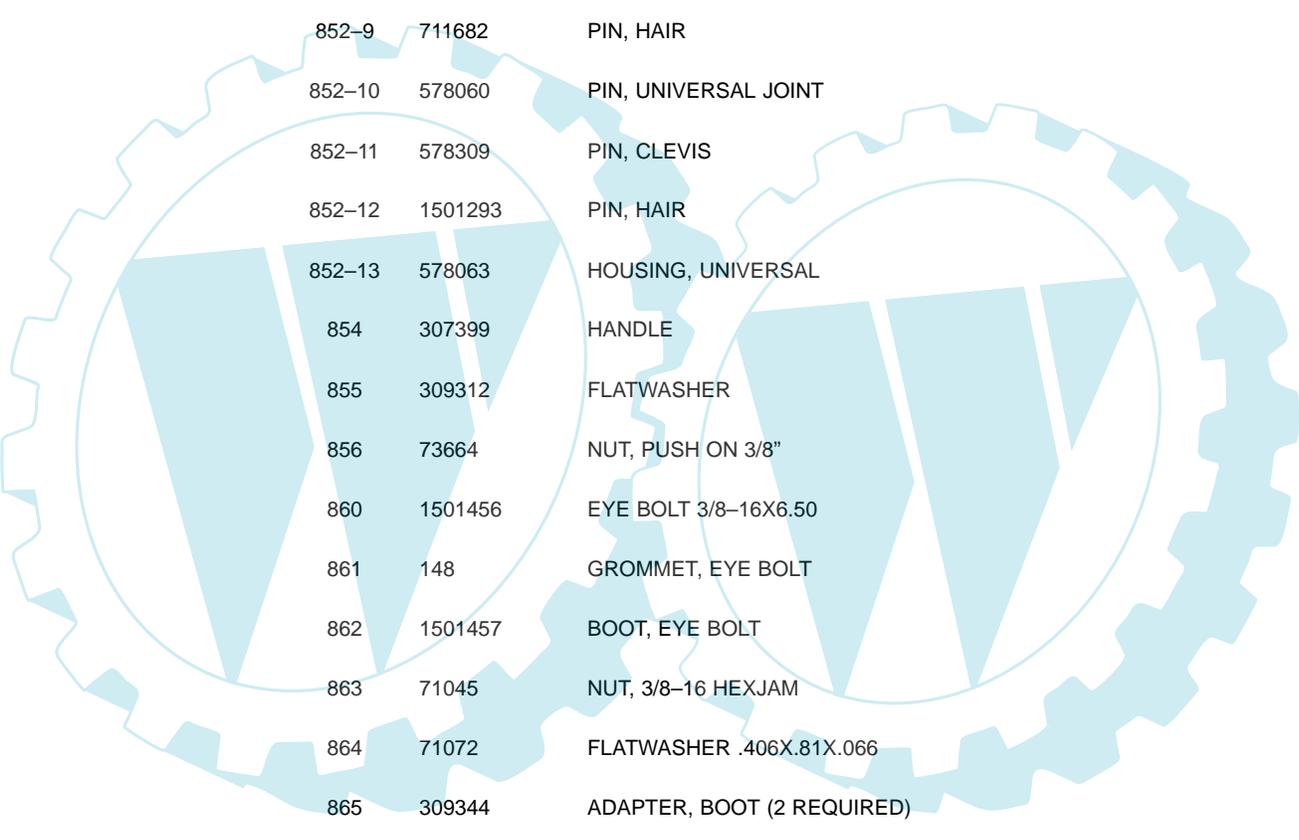
MODEL 629114x85B

REPAIR PARTS CHUTE ROD



MODEL 629114x85B

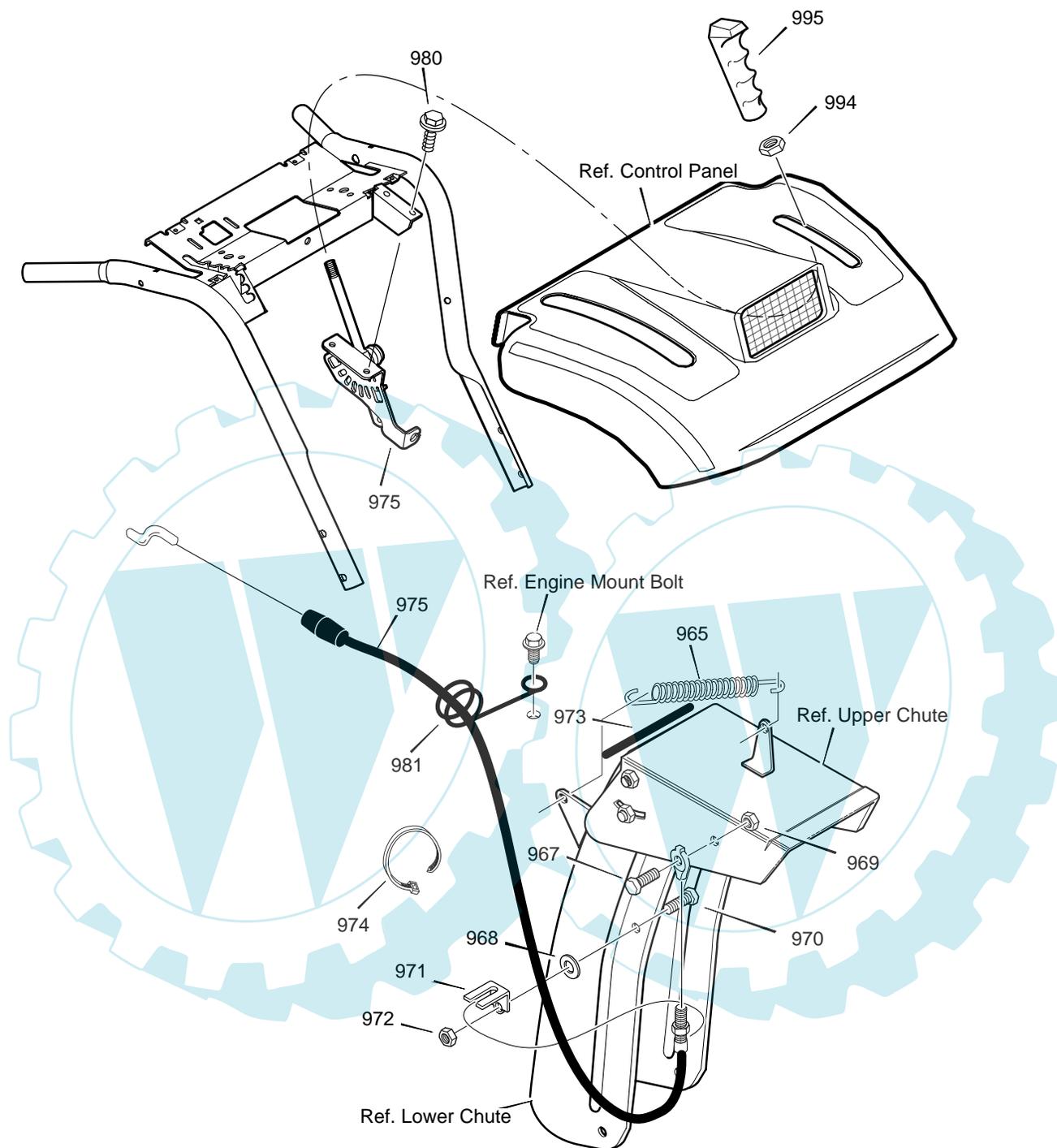
REPAIR PARTS CHUTE ROD



Key No.	Part No.	Description
852-1	1501533 YZ	ASSEMBLY, YOKE & ROD
852-2	164X37	SPRING, COMPRESSION
852-3	1501067	GEAR, CHUTE ROTATION 9T
852-6	1501306E701	BRACKET, GEAR MOUNT
852-7	579493	PIN, COTTER
852-8	1501075 YZ	ASSEMBLY, YOKE ADAPTER YZ
852-9	711682	PIN, HAIR
852-10	578060	PIN, UNIVERSAL JOINT
852-11	578309	PIN, CLEVIS
852-12	1501293	PIN, HAIR
852-13	578063	HOUSING, UNIVERSAL
854	307399	HANDLE
855	309312	FLATWASHER
856	73664	NUT, PUSH ON 3/8"
860	1501456	EYE BOLT 3/8-16X6.50
861	148	GROMMET, EYE BOLT
862	1501457	BOOT, EYE BOLT
863	71045	NUT, 3/8-16 HEXJAM
864	71072	FLATWASHER .406X.81X.066
865	309344	ADAPTER, BOOT (2 REQUIRED)
867	71046	NUT, 3/8-16 HEXNYL
868	002X98	BOLT, CARRIAGE 1/4-20 X 1.00
869	1501074 YZ	CRANK, ASSY CHUTE
870	15x145	NUT, 1/4-20 NYLOCK

MODEL 629114x85B

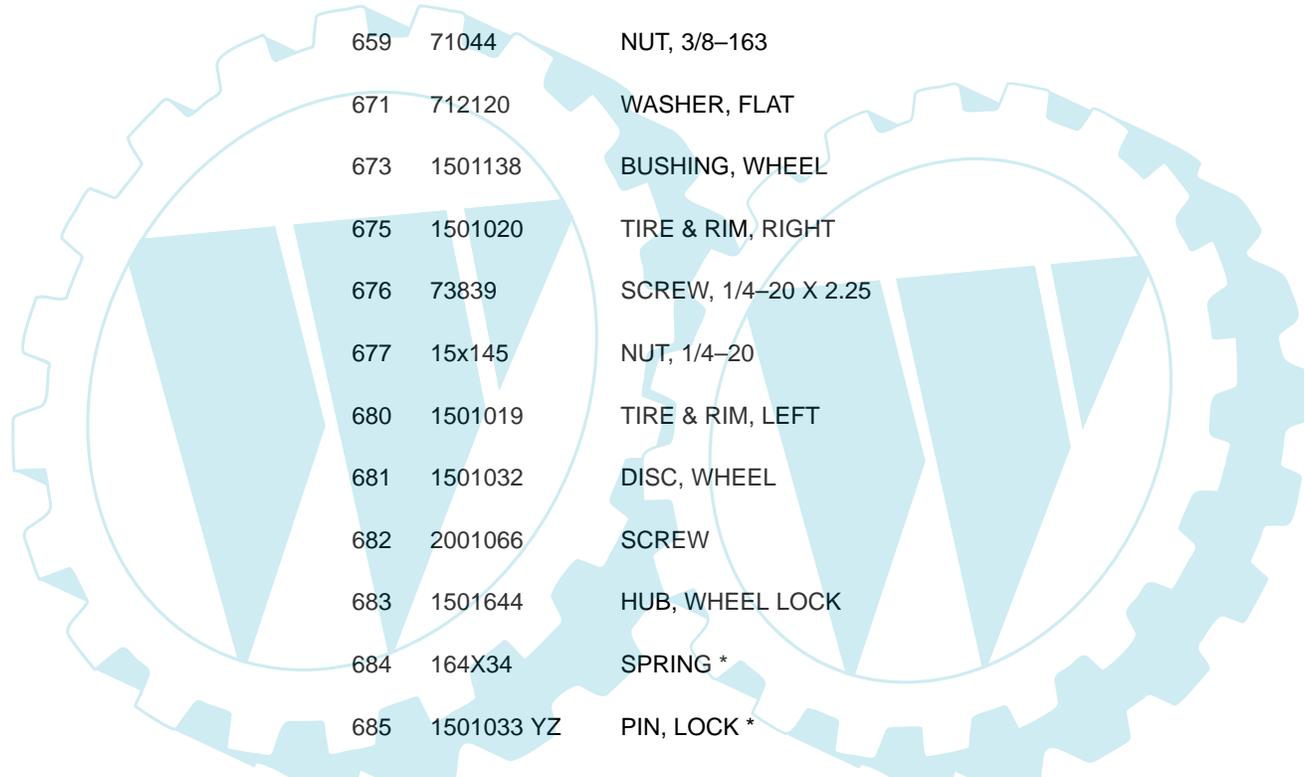
REPAIR PARTS
REMOTE CONTROL



Key No.	Part No.	Description	Key No.	Part No.	Description
965	318468	TENSION SPRING	974	071372	TIE, CABLE
967	310088	BOLT, SHOULDER	975	1501393	CABLE, CHUTE DEFLECTOR
968	73787	FLATWASHER	980	760858	SCREW
969	15x143	NUT	981	780220	WIRE FORM, CHUTE CABLE
970	313676	SCREW, 5/16-18 X 0.75	994	71045	NUT, 3/8-16
971	306447 YZ	BRACKET, CABLE CHUTE	995	306689	KNOB, SHIFT
972	71391	NUT, 5/16-18			
973	1001221	TRIM STRIP, BLACK			

MODEL 629114x85B

**REPAIR PARTS
WHEEL ASSEMBLY**



Key No.	Part No.	Description
652	17x184	WASHER
653	01x193	SCREW, 1/4-20X1.75
654	15x116	NUT, 1/4-20
655	53266	BEARING & RETAINER ASSY
657	71003	SCREW, 3/8-16 x .75
658	71062	WASHER, SPLTLK
659	71044	NUT, 3/8-163
671	712120	WASHER, FLAT
673	1501138	BUSHING, WHEEL
675	1501020	TIRE & RIM, RIGHT
676	73839	SCREW, 1/4-20 X 2.25
677	15x145	NUT, 1/4-20
680	1501019	TIRE & RIM, LEFT
681	1501032	DISC, WHEEL
682	2001066	SCREW
683	1501644	HUB, WHEEL LOCK
684	164X34	SPRING *
685	1501033 YZ	PIN, LOCK *
686	1501034	KNOB *
687	32X79	PIN *
--	48x5231	DECAL*

* These parts are included with Key No. 683.