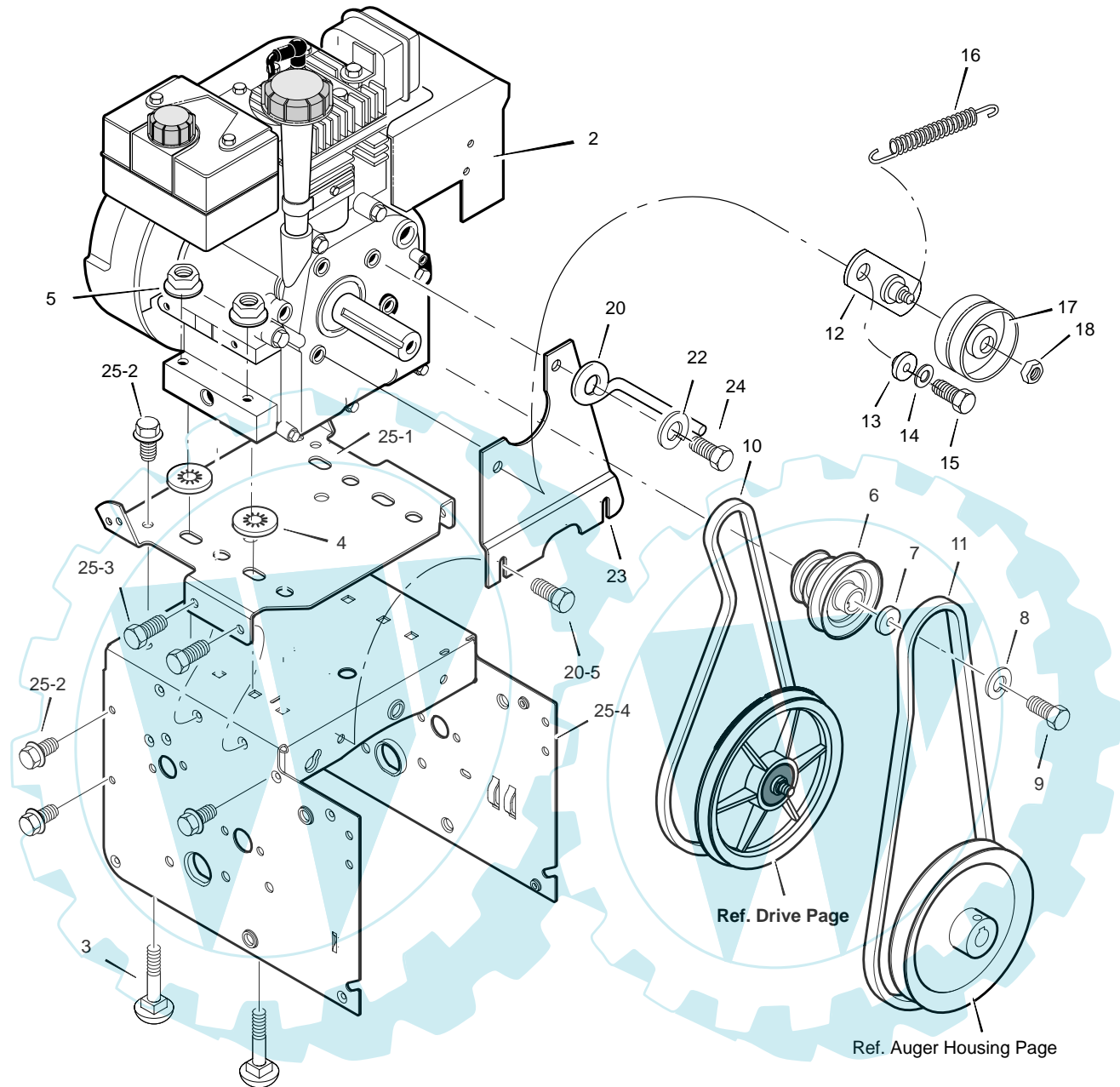


MODEL 629108x61D

REPAIR PARTS
ENGINE

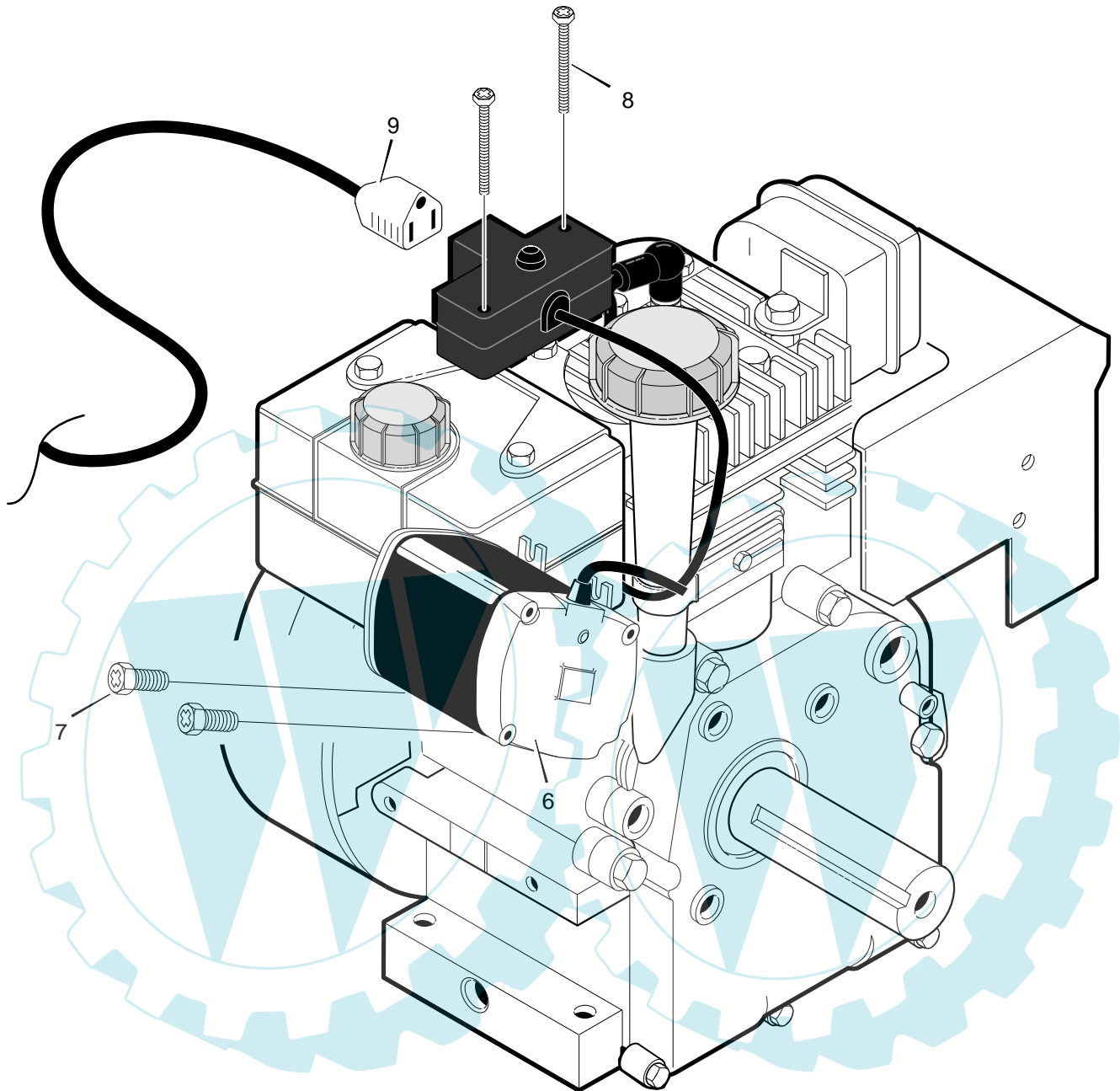


Key No.	Part No.	Description
2	-----	ENGINE
3	002x97	BOLT, CARRIAGE 5/16-18
4	028x76	RETAINER, PUSH
5	710026	NUT, HEX 5/16-18
6	1501109	PULLEY, ENGINE
7	710247	WASHER
8	71063	WASHER .38ID
9	71015	SCREW, 3/8-24X1.00
10	579932	BELT, V 3L 33.13LG
11	585416	BELT, V 4L 38.1MF16" 5-10
12	1501112 YZ	BRACKET ASSEMBLY, IDLER
13	1501065	BUSHING, IDLER BRACKET
14	71060	WASHER, SPLIT
15	910828	SCREW 5/16-24 X 1.00

Key No.	Part No.	Description
16	165x164	SPRING, IDLER TRACTION DRIVE
17	50793	PULLEY, IDLER
18	590	NUT, JAM 3/8-16
20	1501201	GUIDE, BELT
22	71060	WASHER, SPTLK .31X.58X.08
23	1501482	PLATE, ANTI VIBRATION
24	910828	SCREW, 5/16-24X 1.00
25	-----	FRAME ASSEMBLY
25-1	1501062E540	PLATE, ENGINE MOUNT
25-2	310169	SCREW, TAP 1/4-20 X .63
25-3	25x020	SCREW, TAP 5/16-18 X .50
25-4	1501049E540	FRAME, MOTOR BOX
25-5	26x263	SCREW
--	F-031065L	OWNER'S MANUAL

MODEL 629108x61D

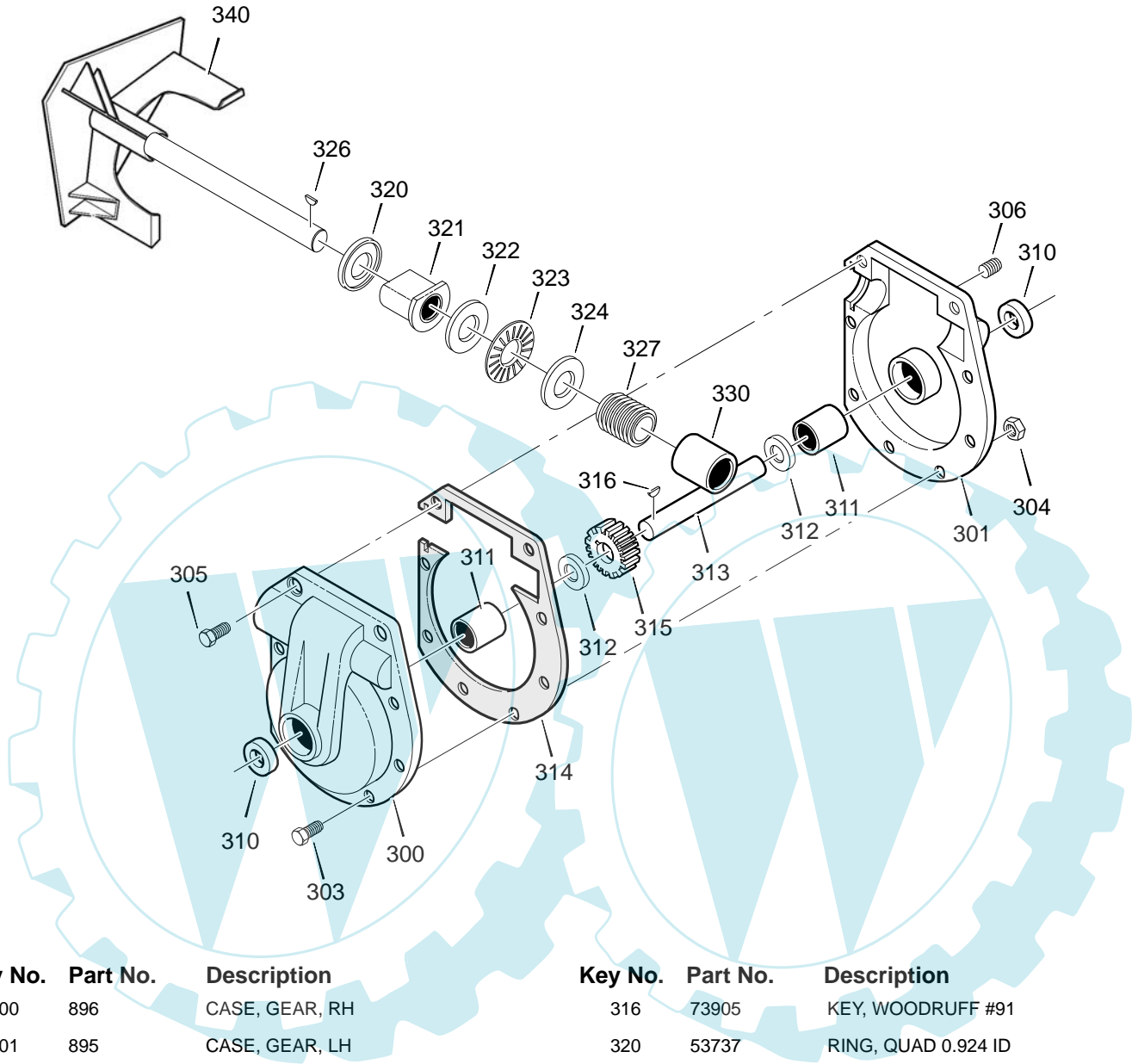
REPAIR PARTS
ELECTRIC START ASSEMBLY



Key No.	Part No.	Description
6	761290	MOTOR, STARTER
7	6216	SCREW
8	6217	SCREW
9	761332	CORD, STARTER

MODEL 629108x61D

**REPAIR PARTS
GEAR CASE**

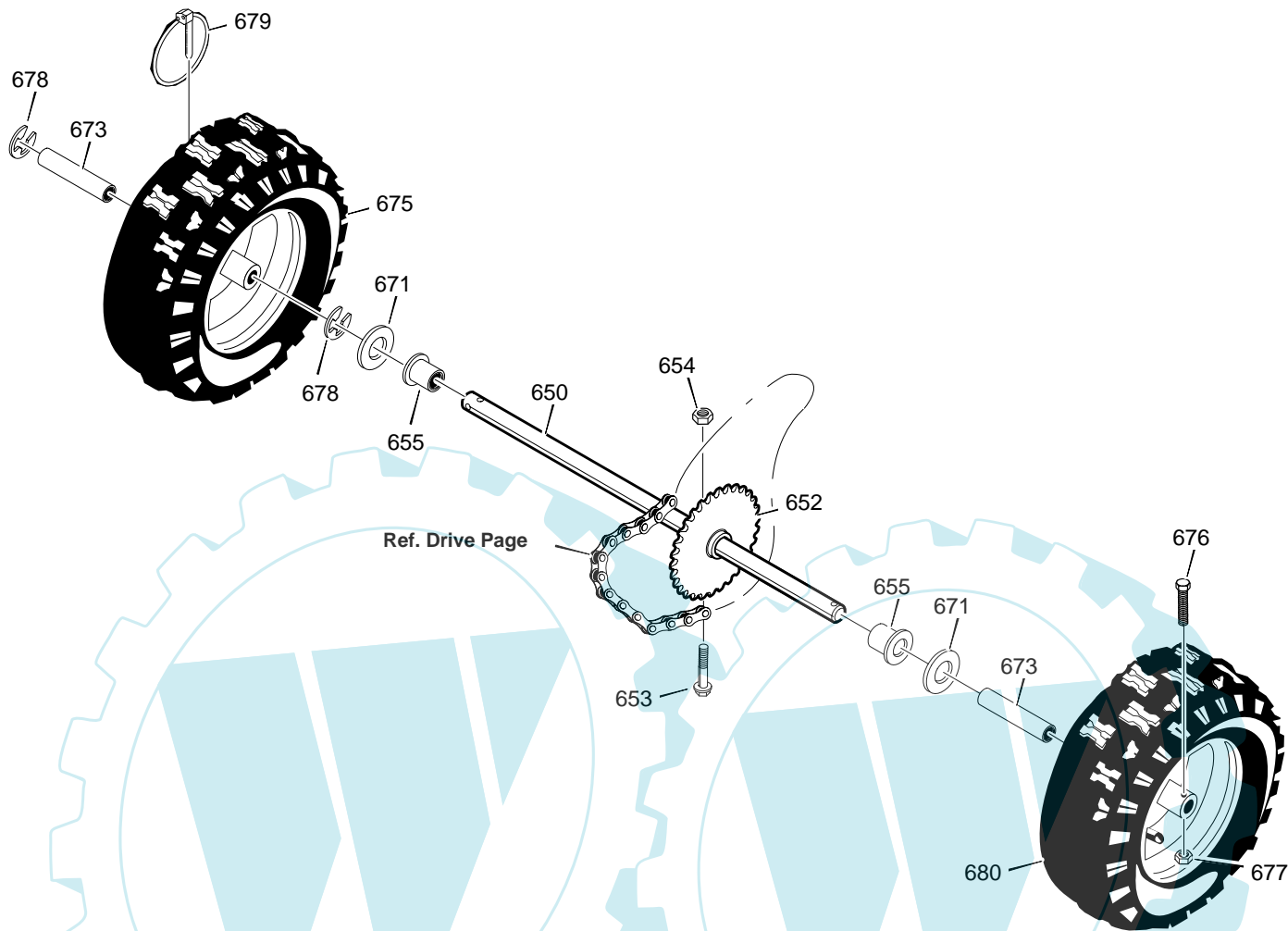


Key No.	Part No.	Description
300	896	CASE, GEAR, RH
301	895	CASE, GEAR, LH
303	910828	SCREW, 5/16-24 x 1.00
304	71100	NUT, 5/16-24
305	330434	SCREW, 5/16-24 x 1.50
306	53749	PLUG, PIPE 0.25-18
310	780151	SEAL, OIL
311	53743	BEARING, SLEEVE
312	53748	WASHER, FLAT
313	760528	SHAFT, AUGER OUTPUT
314	897	GASKET, GEAR BOX
315	53730	WORM GEAR

Key No.	Part No.	Description
316	73905	KEY, WOODRUFF #91
320	53737	RING, QUAD 0.924 ID
321	583126	BEARING, FLANGE
322	48275	WASHER, FLAT
323	50684	BEARING, ROLLER
324	48275	WASHER, FLAT
326	50795	KEY
327	53732	WORM
330	53731	BEARING, SLEEVE
340	1501147E701	IMPELLER
--	333431	10oz TUBE LUBRIPLATE

MODEL 629108x61D

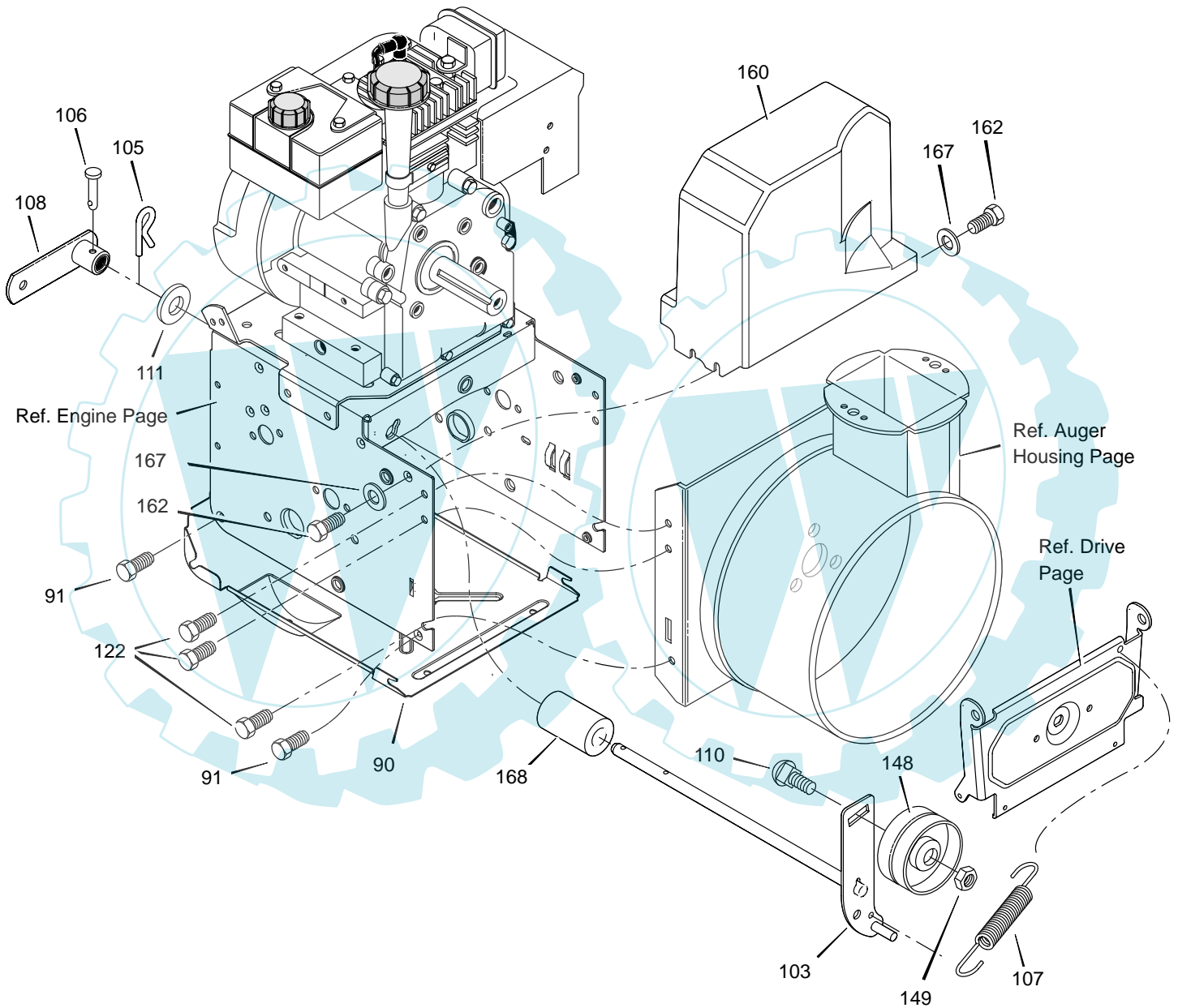
REPAIR PARTS
WHEELS



Key No.	Part No.	Description
650	1501563	SHAFT, AXLE
652	1501089	SPRKT & HUB
653	01x193	SCREW, 1/4-20 x 1.75
654	15x145	NUT, 1/4-20 HEX NYLOCK
655	1501114	BEARING, AXLE
671	712120	FLATWASHER
673	1501138	BUSHING, WHEEL
675	583384	TIRE & RIM, RIGHT
676	577015	SCREW, 1/4-20X1.75 HH
677	15X145	NUT, 1/4-20 HEX NYLOCK
678	239	RING, RET
679	73842	PIN, KLIK .25 X 1.38 DIA
680	583384	TIRE & RIM, LEFT

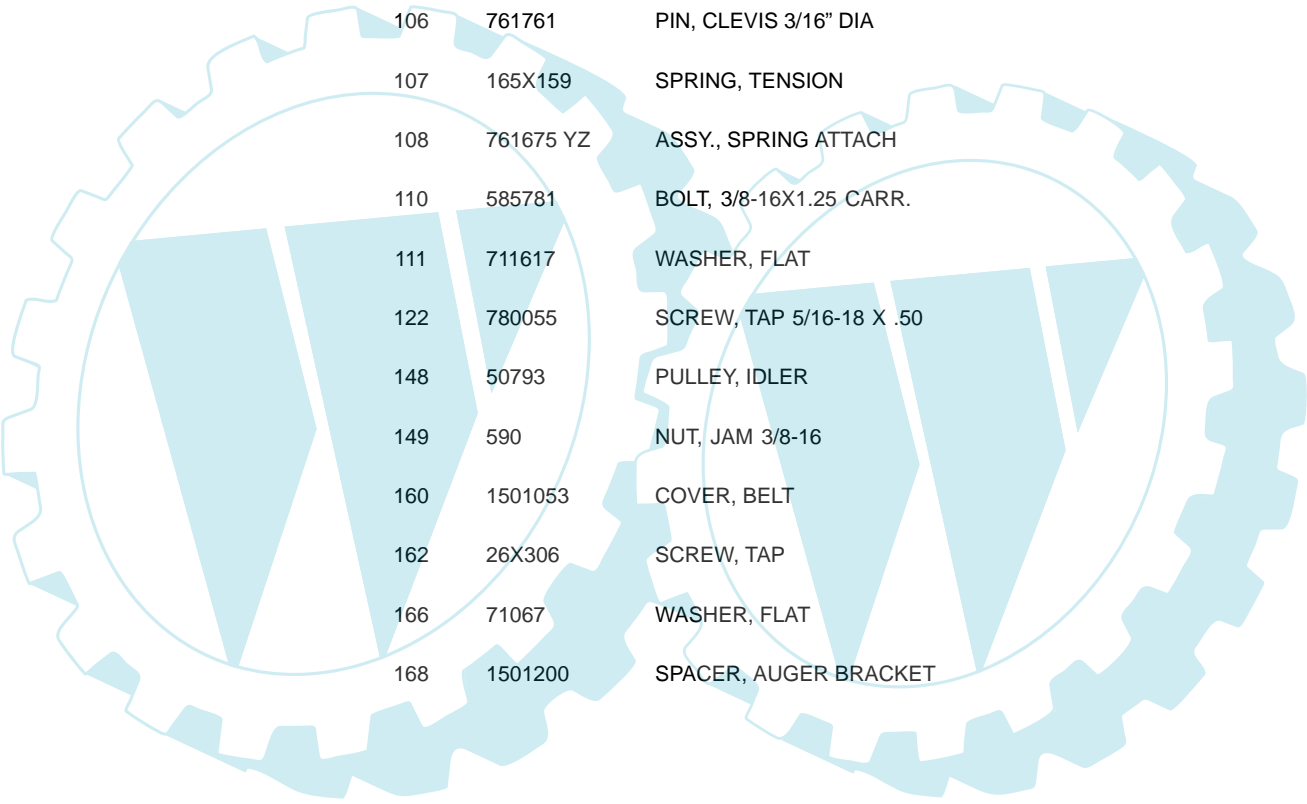
MODEL 629108x61D

REPAIR PARTS
FRAME



MODEL 629108x61D

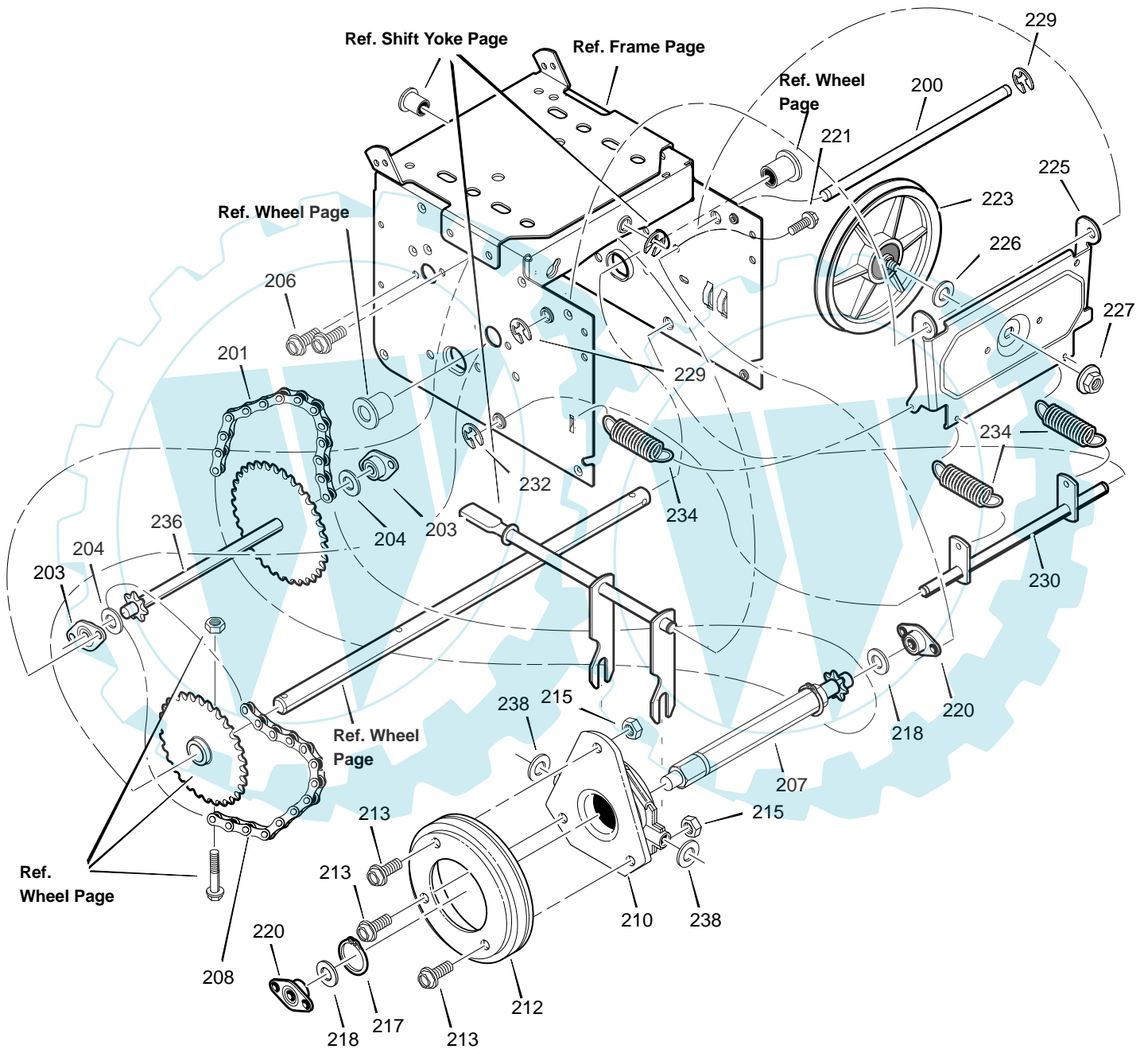
REPAIR PARTS FRAME



Key No.	Part No.	Description
90	1501055E701	COVER, BOTTOM
91	310169	SCREW, 1/4-20X .63
103	1501226 YZ	IDLER ASSEMBLY, AUGER
105	711682	PIN, HAIR .38DIAx1.64LG
106	761761	PIN, CLEVIS 3/16" DIA
107	165X159	SPRING, TENSION
108	761675 YZ	ASSY., SPRING ATTACH
110	585781	BOLT, 3/8-16X1.25 CARR.
111	711617	WASHER, FLAT
122	780055	SCREW, TAP 5/16-18 X .50
148	50793	PULLEY, IDLER
149	590	NUT, JAM 3/8-16
160	1501053	COVER, BELT
162	26X306	SCREW, TAP
166	71067	WASHER, FLAT
168	1501200	SPACER, AUGER BRACKET

MODEL 629108x61D

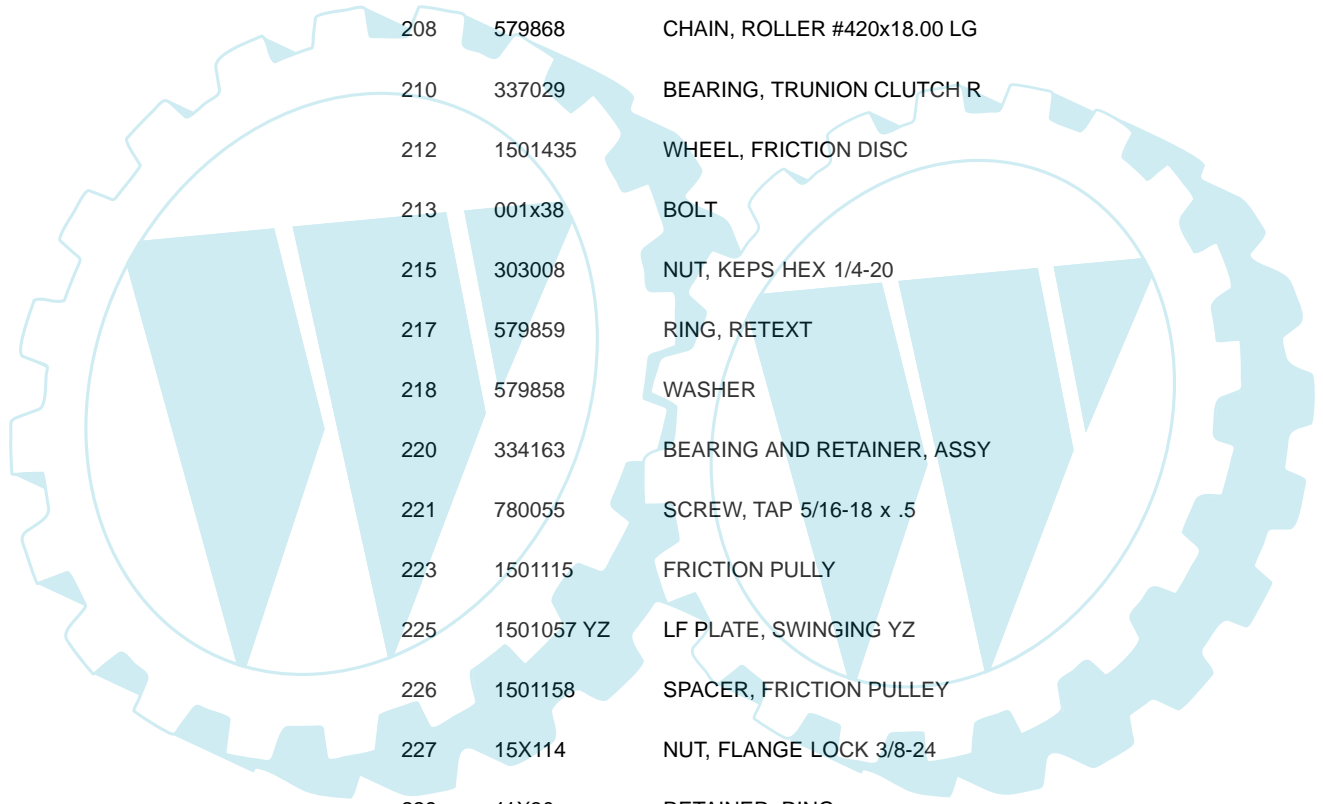
REPAIR PARTS
DRIVE



MODEL 629108x61D

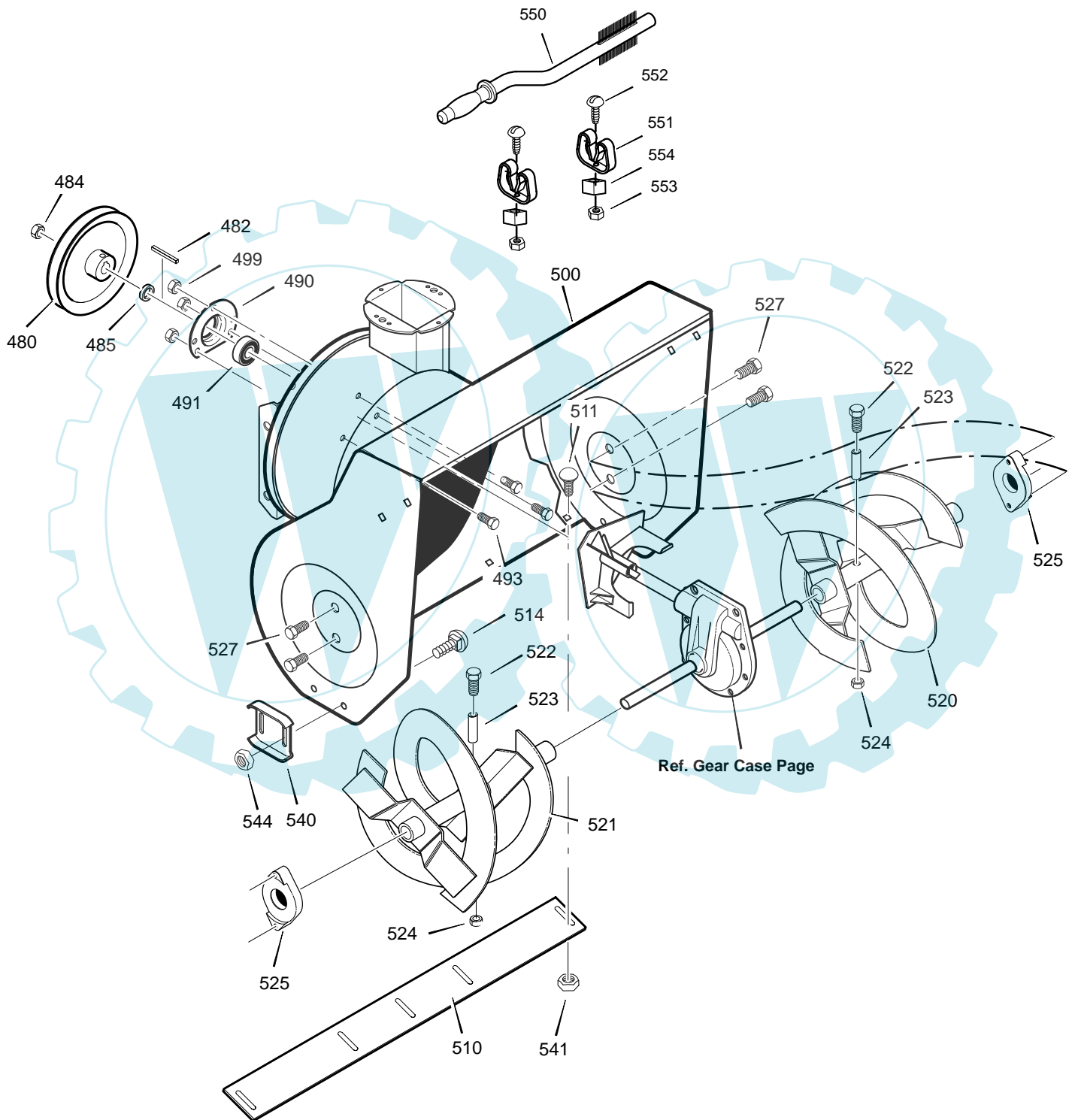
**REPAIR PARTS
DRIVE**

Key No.	Part No.	Description
200	1501092 YZ	LF AXLE, SWING PLATE YZ
201	579851	CHAIN, ROLLER #420x19.00
203	334163	BEARING AND RETAINER, ASSY
204	579858	WASHER
206	780055	SCREW, TAP 5/16-18x0.5
207	1501236	ASSY, HEX SHAFT
208	579868	CHAIN, ROLLER #420x18.00 LG
210	337029	BEARING, TRUNION CLUTCH R
212	1501435	WHEEL, FRICTION DISC
213	001x38	BOLT
215	303008	NUT, KEPS HEX 1/4-20
217	579859	RING, RETEXT
218	579858	WASHER
220	334163	BEARING AND RETAINER, ASSY
221	780055	SCREW, TAP 5/16-18 x .5
223	1501115	FRICTION PULLY
225	1501057 YZ	LF PLATE, SWINGING YZ
226	1501158	SPACER, FRICTION PULLEY
227	15X114	NUT, FLANGE LOCK 3/8-24
229	11X30	RETAINER, RING
230	1501107 YZ	LF ASSY, SPRING LINK YZ
232	11X30	RETAINER, RING
234	165X112	SPRING, EXTENSION
236	1501237	WLD, INTERMED SPROCKET 33T/7
238	71074	WASHER, FLAT



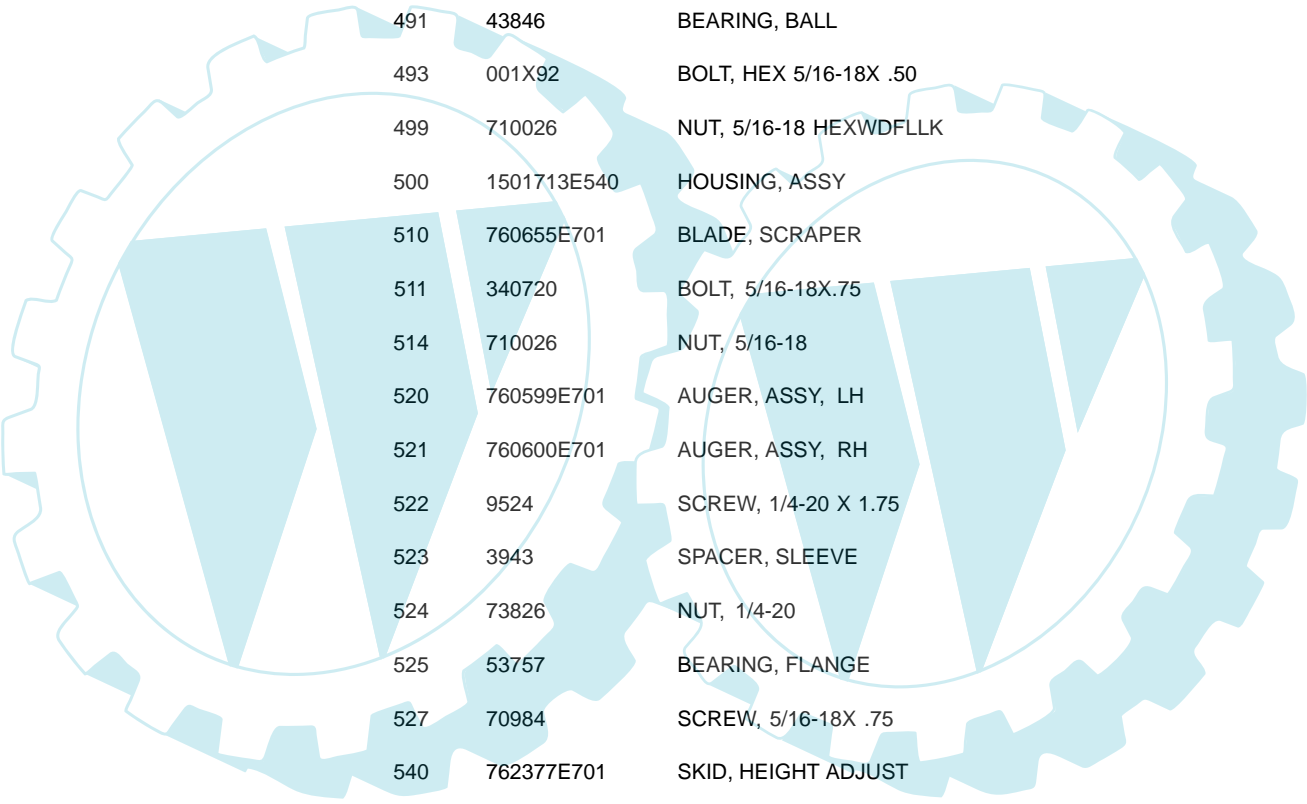
MODEL 629108x61D

REPAIR PARTS
AUGER HOUSING



MODEL 629108x61D

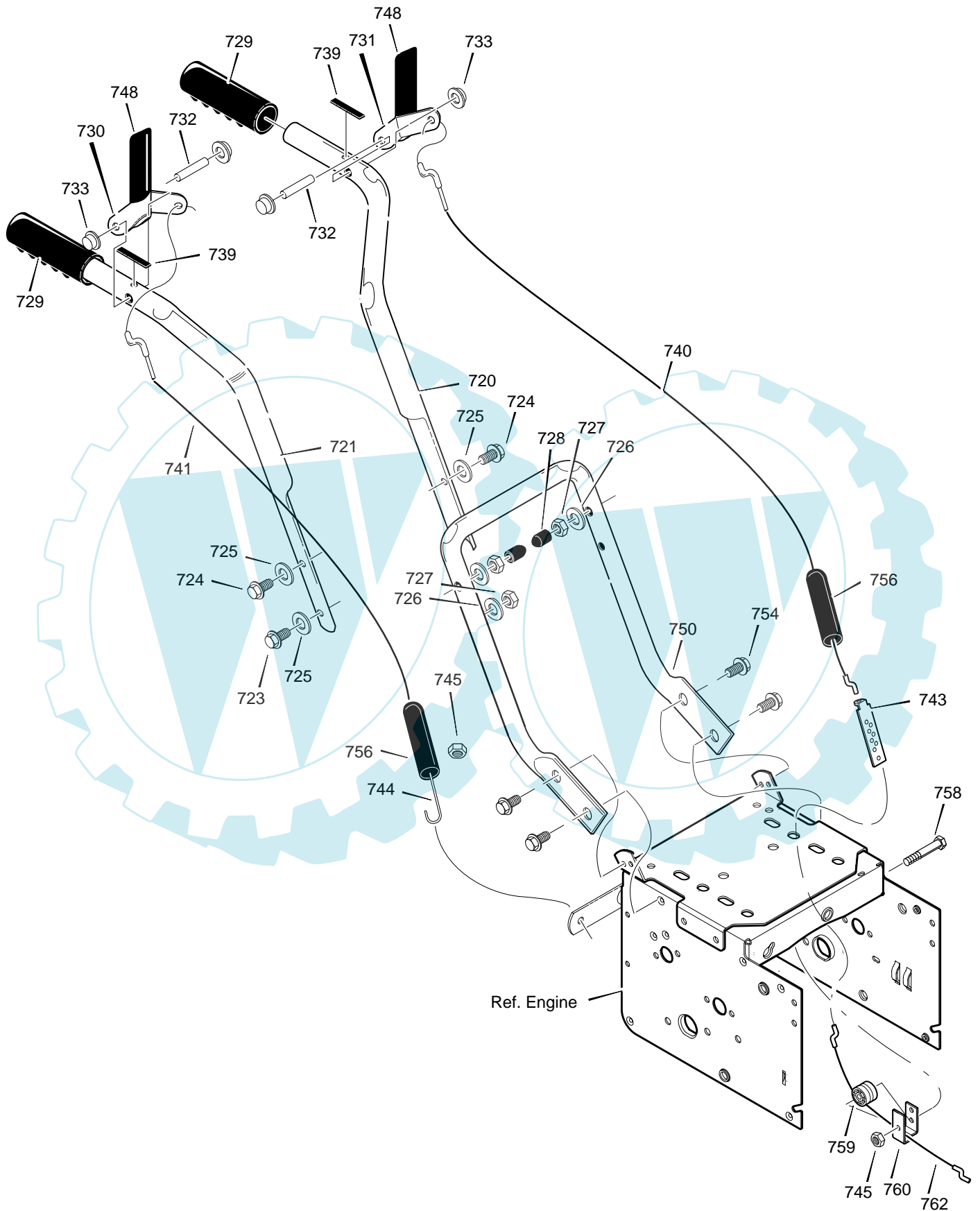
**REPAIR PARTS
AUGER HOUSING**



Key No.	Part No.	Description
480	583146	PULLEY, 4L 8.40 OD
482	2001022	KEY, SQUARE 3/16 X 3/4
484	15x112	NUT, 1/2-20
485	1501158	SPACER, FRICTION PULLEY
490	582957 YZ	RETAINER, BALL BRNG
491	43846	BEARING, BALL
493	001X92	BOLT, HEX 5/16-18X .50
499	710026	NUT, 5/16-18 HEXWDFLLK
500	1501713E540	HOUSING, ASSY
510	760655E701	BLADE, SCRAPER
511	340720	BOLT, 5/16-18X.75
514	710026	NUT, 5/16-18
520	760599E701	AUGER, ASSY, LH
521	760600E701	AUGER, ASSY, RH
522	9524	SCREW, 1/4-20 X 1.75
523	3943	SPACER, SLEEVE
524	73826	NUT, 1/4-20
525	53757	BEARING, FLANGE
527	70984	SCREW, 5/16-18X .75
540	762377E701	SKID, HEIGHT ADJUST
541	340720	BOLT, 5/16-18 X .75
544	710026	NUT, 5/16-18
550	1501576	BRUSH, CLEANOUT
551	1501672	CLIP, RETAINER
552	06x115	SCREW
553	15x146	NUT
554	578063	BLOCK
- -	1501216	KIT, SHEAR BOLT

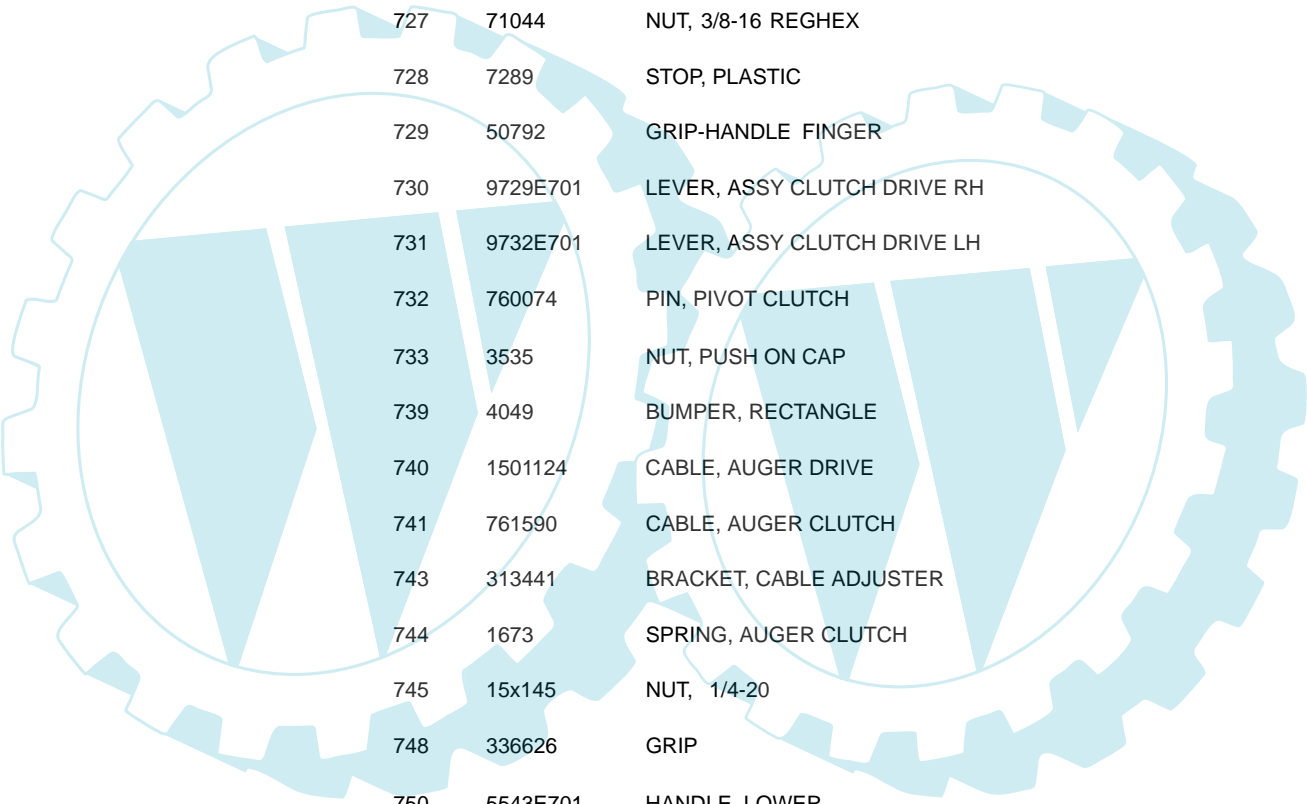
MODEL 629108x61D

REPAIR PARTS
HANDLE



MODEL 629108x61D

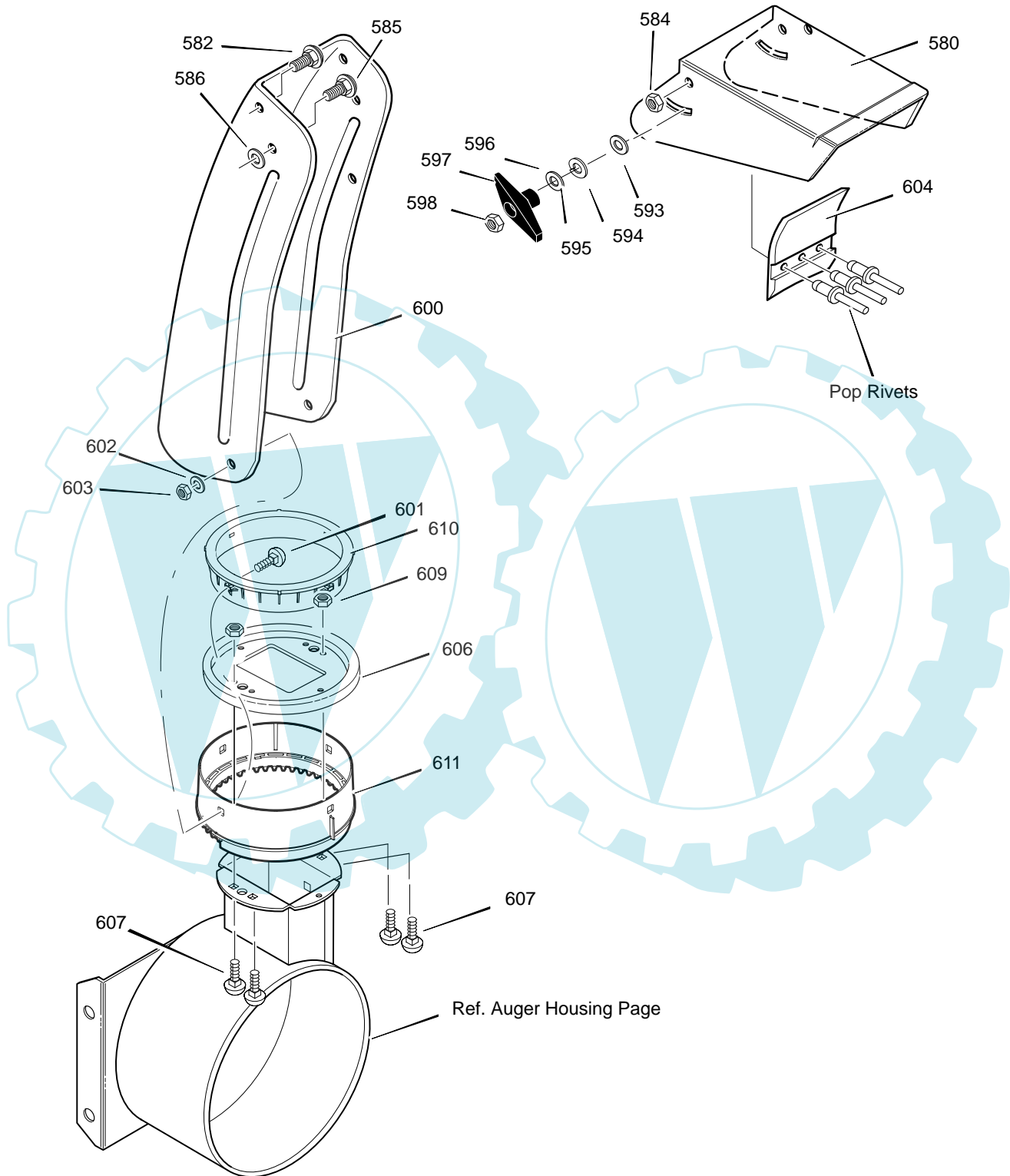
**REPAIR PARTS
HANDLE**



Key No.	Part No.	Description
720	5113E701	HANDLE, UPPER LH
721	5115E701	HANDLE, UPPER RH
723	71007	SCREW, 3/8-16 X 2.00
724	7288	SCREW, 3/8-16 X 3.00
725	71072	WASHER, FLAT
726	71062	WASHER
727	71044	NUT, 3/8-16 REGHEX
728	7289	STOP, PLASTIC
729	50792	GRIP-HANDLE FINGER
730	9729E701	LEVER, ASSY CLUTCH DRIVE RH
731	9732E701	LEVER, ASSY CLUTCH DRIVE LH
732	760074	PIN, PIVOT CLUTCH
733	3535	NUT, PUSH ON CAP
739	4049	BUMPER, RECTANGLE
740	1501124	CABLE, AUGER DRIVE
741	761590	CABLE, AUGER CLUTCH
743	313441	BRACKET, CABLE ADJUSTER
744	1673	SPRING, AUGER CLUTCH
745	15x145	NUT, 1/4-20
748	336626	GRIP
750	5543E701	HANDLE, LOWER
754	25x021	SCREW
756	308146	BOOT, CABLE
758	001798	BOLT, HEX 1/4-20 X 1.50 YZ
759	579860	SPOOL-CABLE, AUGRT CLUTCH
760	1501059 YZ	BRACKET, CABLE SPOOL YZ
762	1501122	CABLE, LOWER DRIVE 12"

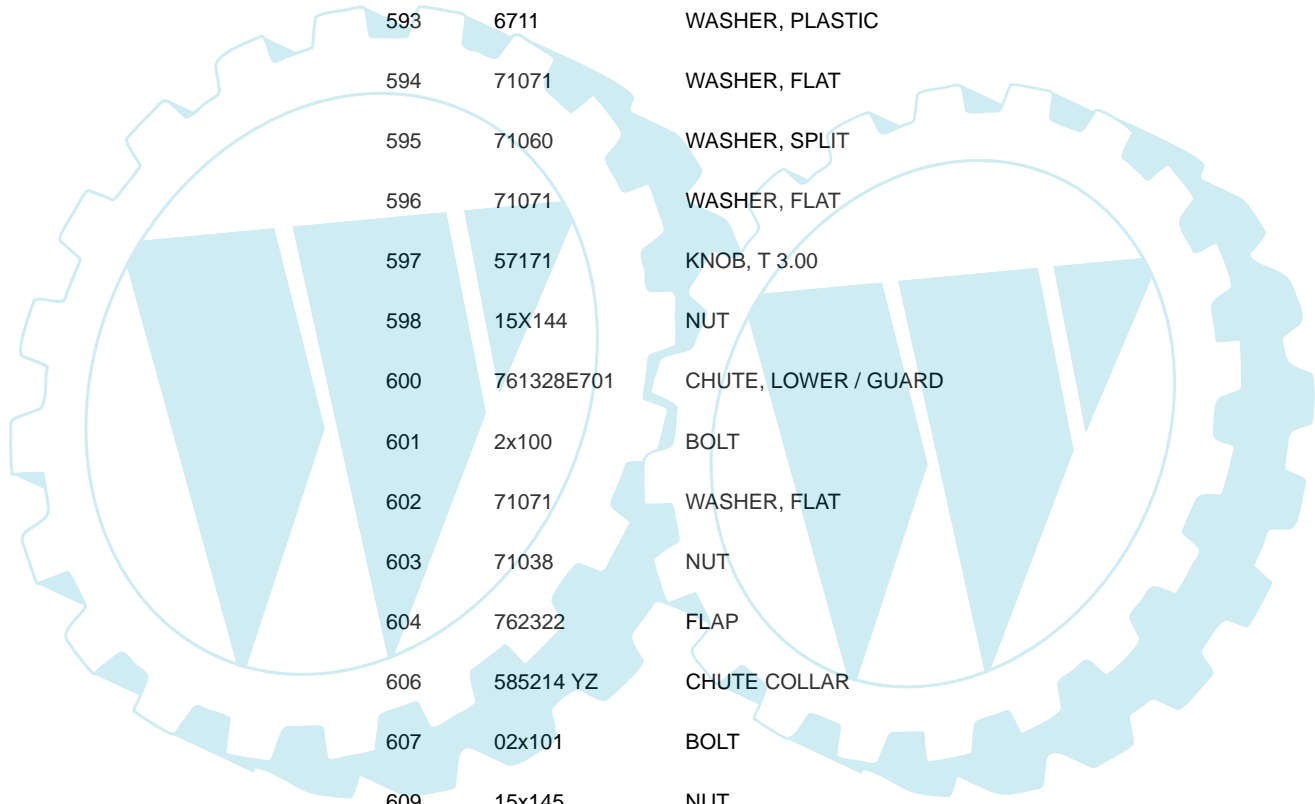
MODEL 629108x61D

REPAIR PARTS
DISCHARGE CHUTE



MODEL 629108x61D

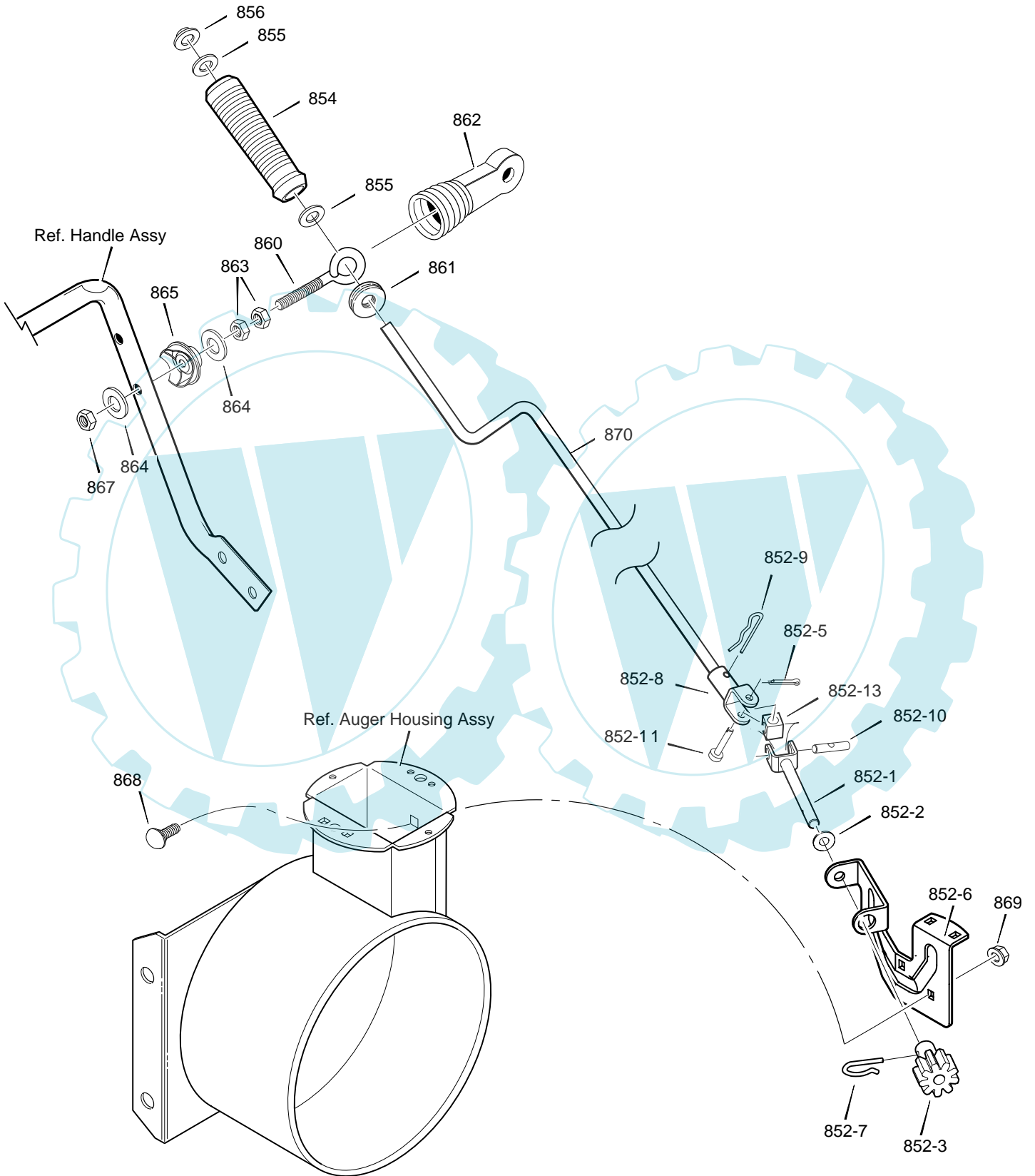
REPAIR PARTS DISCHARGE CHUTE



Key No.	Part No.	Description
580	761070E701	CHUTE, UPPER W/REMOTE
582	578088	SCREW, 5/16-18 X.75
584	71038	NUT
585	578088	SCREW, 5/16-18 X.75
593	6711	WASHER, PLASTIC
594	71071	WASHER, FLAT
595	71060	WASHER, SPLIT
596	71071	WASHER, FLAT
597	57171	KNOB, T 3.00
598	15X144	NUT
600	761328E701	CHUTE, LOWER / GUARD
601	2x100	BOLT
602	71071	WASHER, FLAT
603	71038	NUT
604	762322	FLAP
606	585214 YZ	CHUTE COLLAR
607	02x101	BOLT
609	15x145	NUT
610	337227	RETAINER, RING INNER
611	1501282	RETAINER, RING OUTER

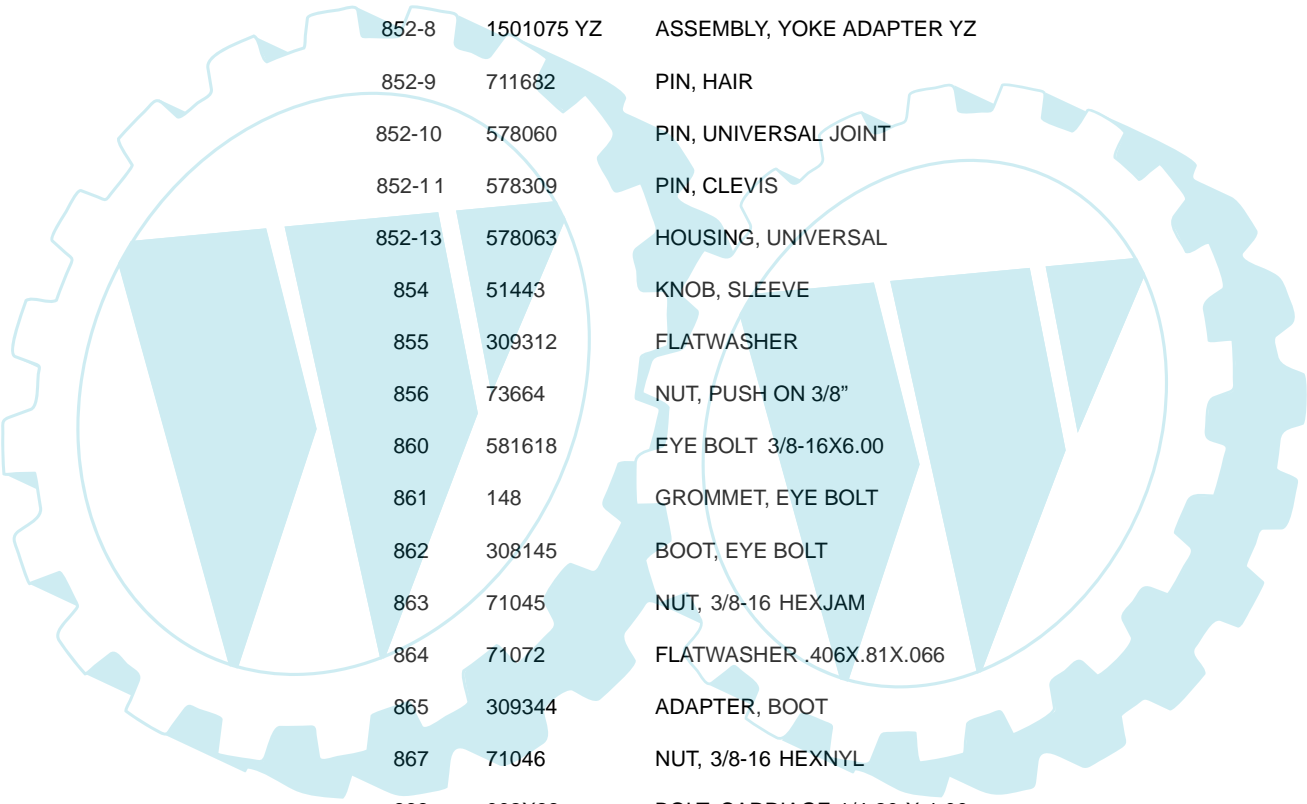
MODEL 629108x61D

REPAIR PARTS CHUTE ROD



MODEL 629108x61D

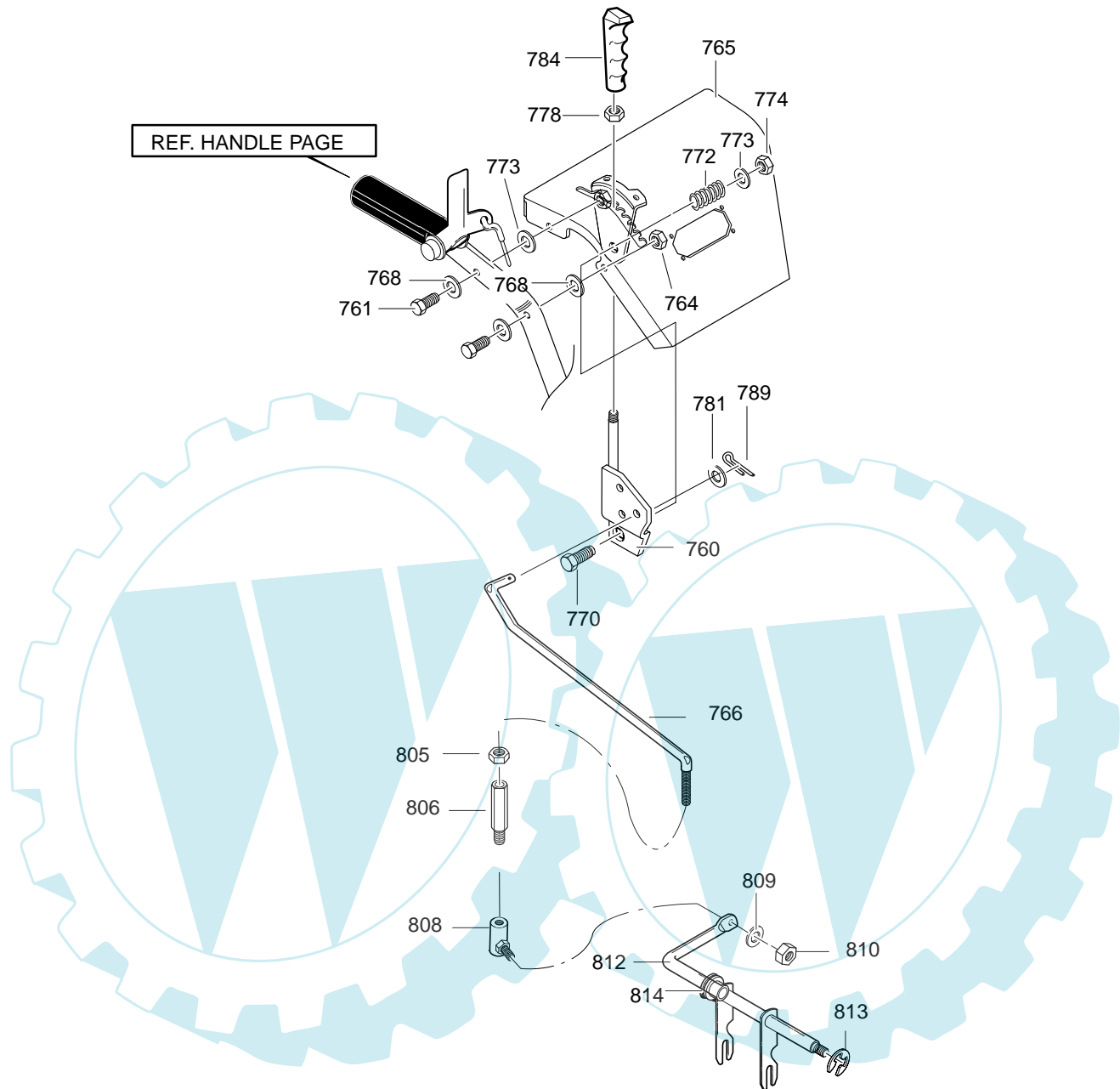
REPAIR PARTS CHUTE ROD



Key No.	Part No.	Description
852-1	1501309 YZ	ASSEMBLY, YOKE & ROD
852-2	313431	WASHER, CURVED SPRING
852-3	1501067	GEAR, CHUTE ROTATION 9T
852-5	579493	PIN, COTTER
852-6	1501306E701	BRACKET, GEAR MOUNT
852-7	1501293	PIN, HAIR
852-8	1501075 YZ	ASSEMBLY, YOKE ADAPTER YZ
852-9	711682	PIN, HAIR
852-10	578060	PIN, UNIVERSAL JOINT
852-11	578309	PIN, CLEVIS
852-13	578063	HOUSING, UNIVERSAL
854	51443	KNOB, SLEEVE
855	309312	FLATWASHER
856	73664	NUT, PUSH ON 3/8"
860	581618	EYE BOLT 3/8-16X6.00
861	148	GROMMET, EYE BOLT
862	308145	BOOT, EYE BOLT
863	71045	NUT, 3/8-16 HEXJAM
864	71072	FLATWASHER .406X.81X.066
865	309344	ADAPTER, BOOT
867	71046	NUT, 3/8-16 HEXNYL
868	002X98	BOLT, CARRIAGE 1/4-20 X 1.00
869	15x145	NUT, 1/4-20
870	1501074 YZ	CRANK, ASSY CHUTE

MODEL 629108x61D

REPAIR PARTS
CONTROL PANEL ASSEMBLY

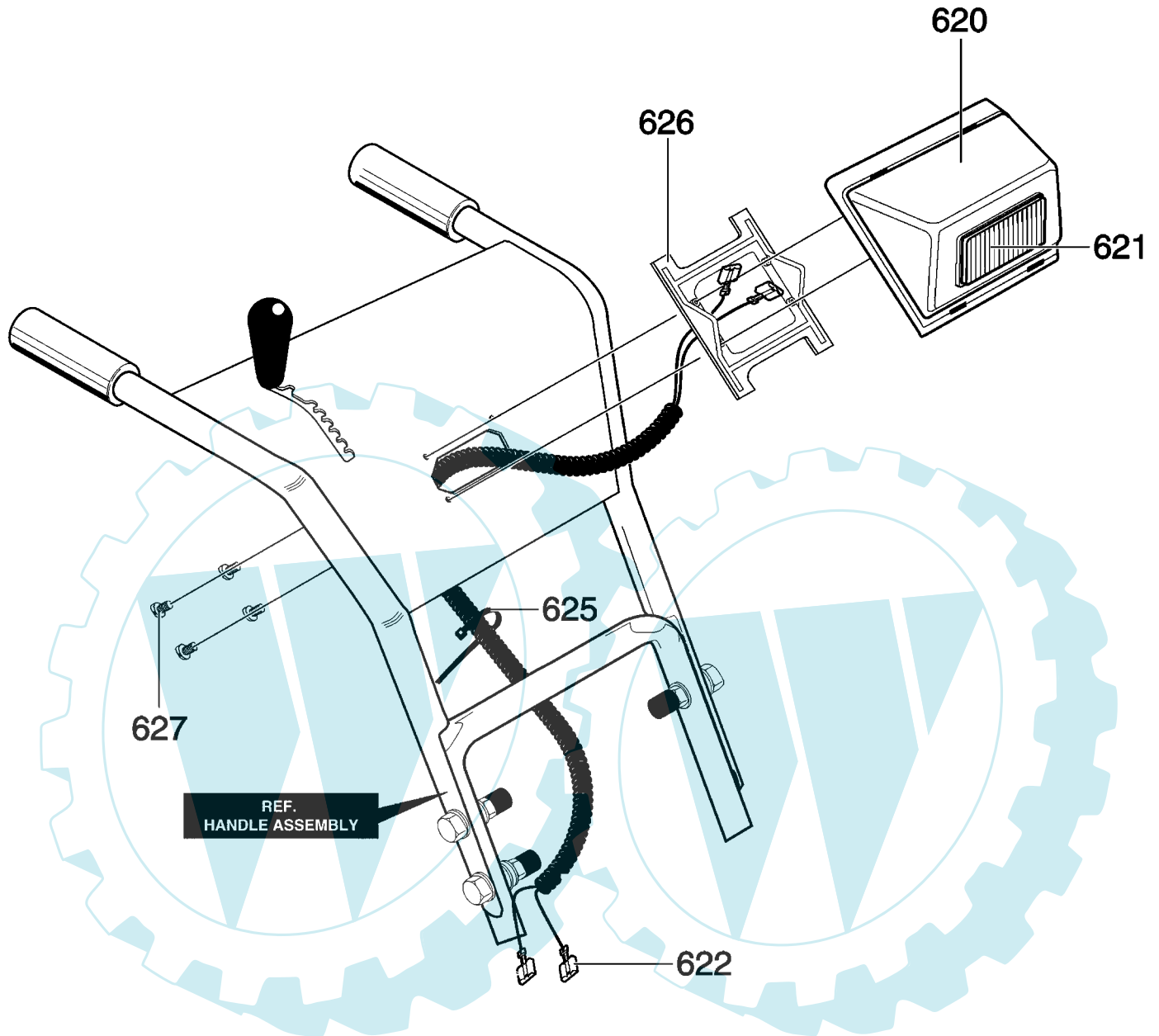


Key No.	Part No.	Description
760	1501632 YZ	HANDLE ASSY SPD CTRL
761	302900	SCREW, 5/16-18X1.75
764	710026	NUT, 5/16-18
765	760328E540	ASSY. BAY PANEL - LT
766	1501581	ROD, SPEED CONTROL
768	71071	WASHER
770	71007	SCREW 3/8-16X2.00
772	50786	SPRING
773	71072	FLATWASHER
774	71046	NUT, 3/8-16
778	71044	NUT, 3/8-16

Key No.	Part No.	Description
781	71071	FLATWASHER
784	304728	HANDLE, GRIP
789	71081	PIN, COTTER
805	71042	NUT, 5/16-18
806	6352	ADAPTER, SPEED ROD -YZ
808	50782	BALLJOINT, STEEL -YZ
809	71060	WASHER
810	71042	NUT, 5/16-18
812	1501110 YZ	ROD, ASSY YOKE
813	11X30	RING, RETAINER
814	579944	BEARING, FLANGE

MODEL 629108x61D

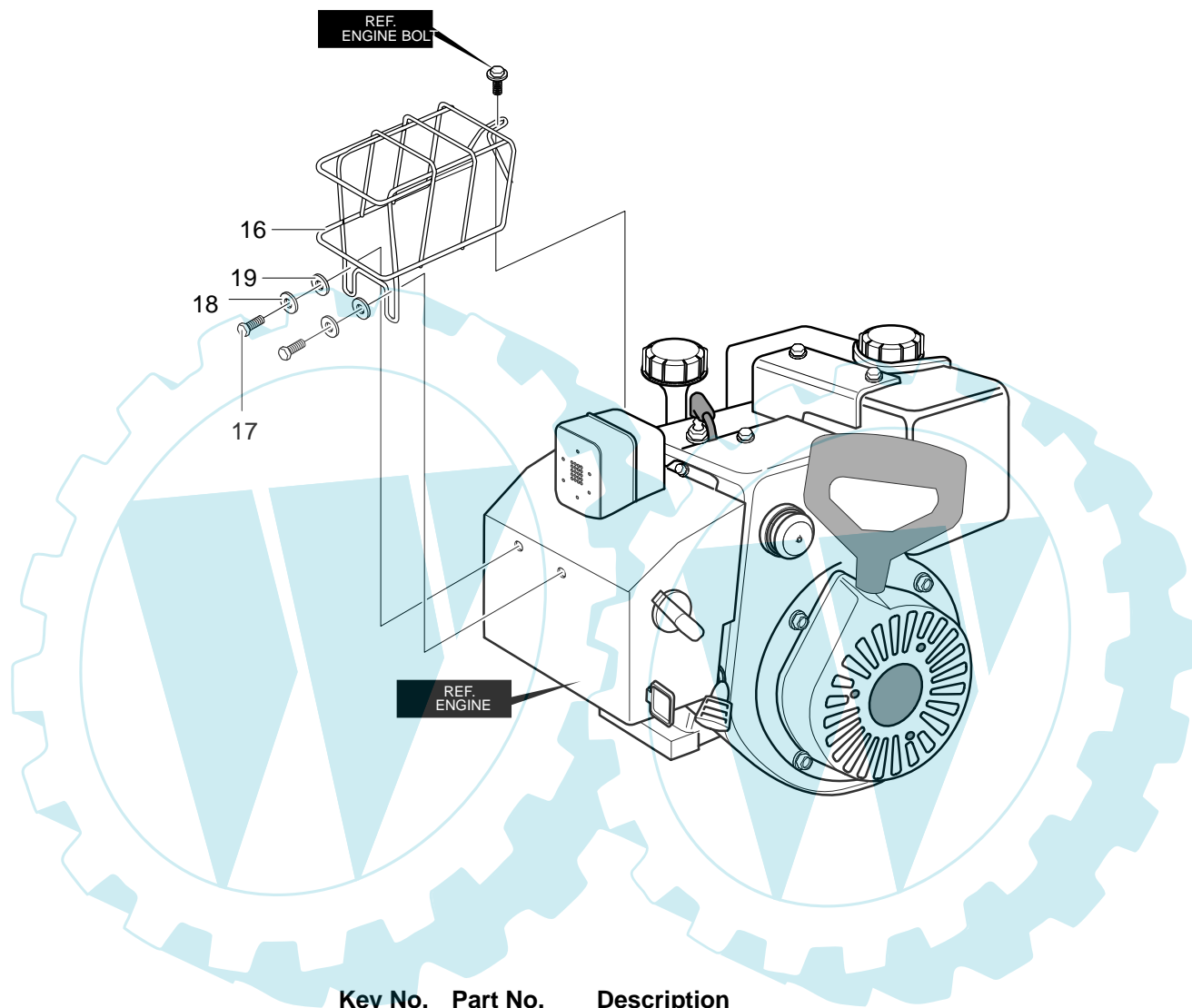
REPAIR PARTS
HEADLIGHT



Key No.	Part No.	Description
620	584727	CASE, HEADLIGHT
621	762343	HEADLIGHT ASSY
622	1501036	WIRE, HARNESS
625	071372	CABLE TIE
626	584728	BRACKET, HEADLAMP
627	316042	SCREW

MODEL 629108x61D

REPAIR PARTS MUFFLER GUARD



Key No.	Part No.	Description
16	304436	GUARD, MUFFLER
17	304807	SCREW
18	304810	WASHER
19	304809	WASHER