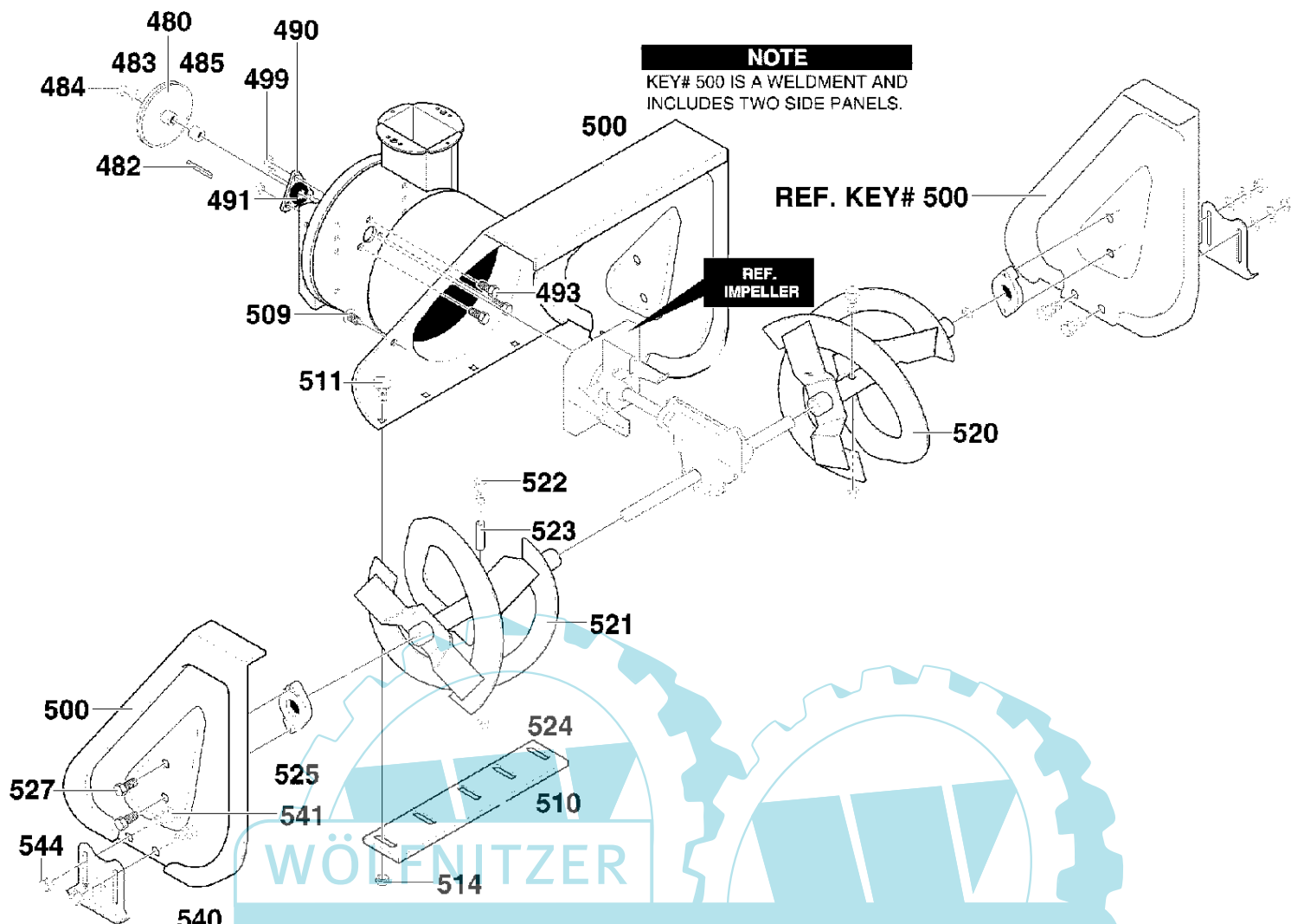
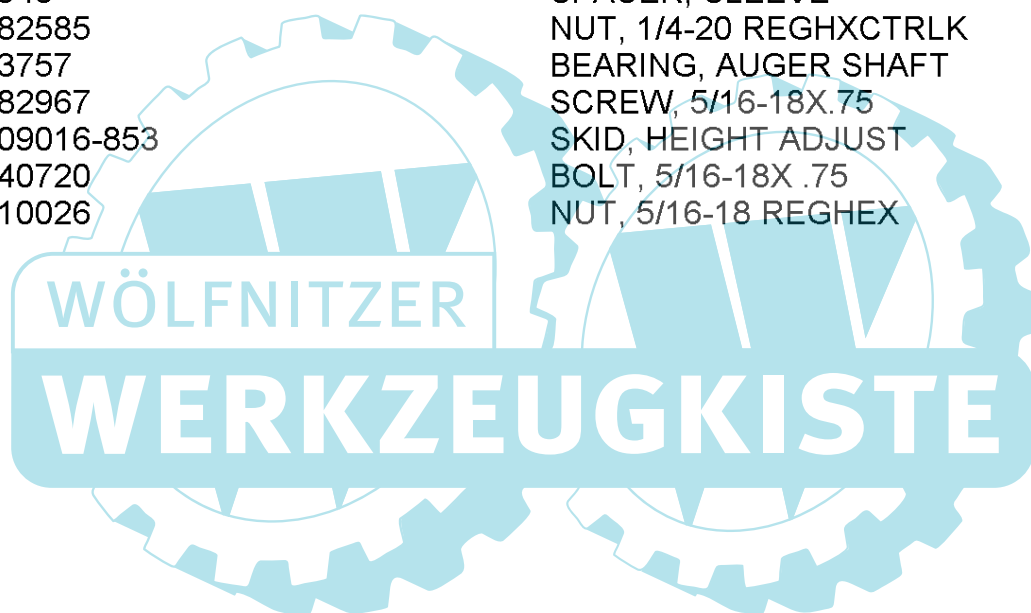


www.ersatzteil-service.de

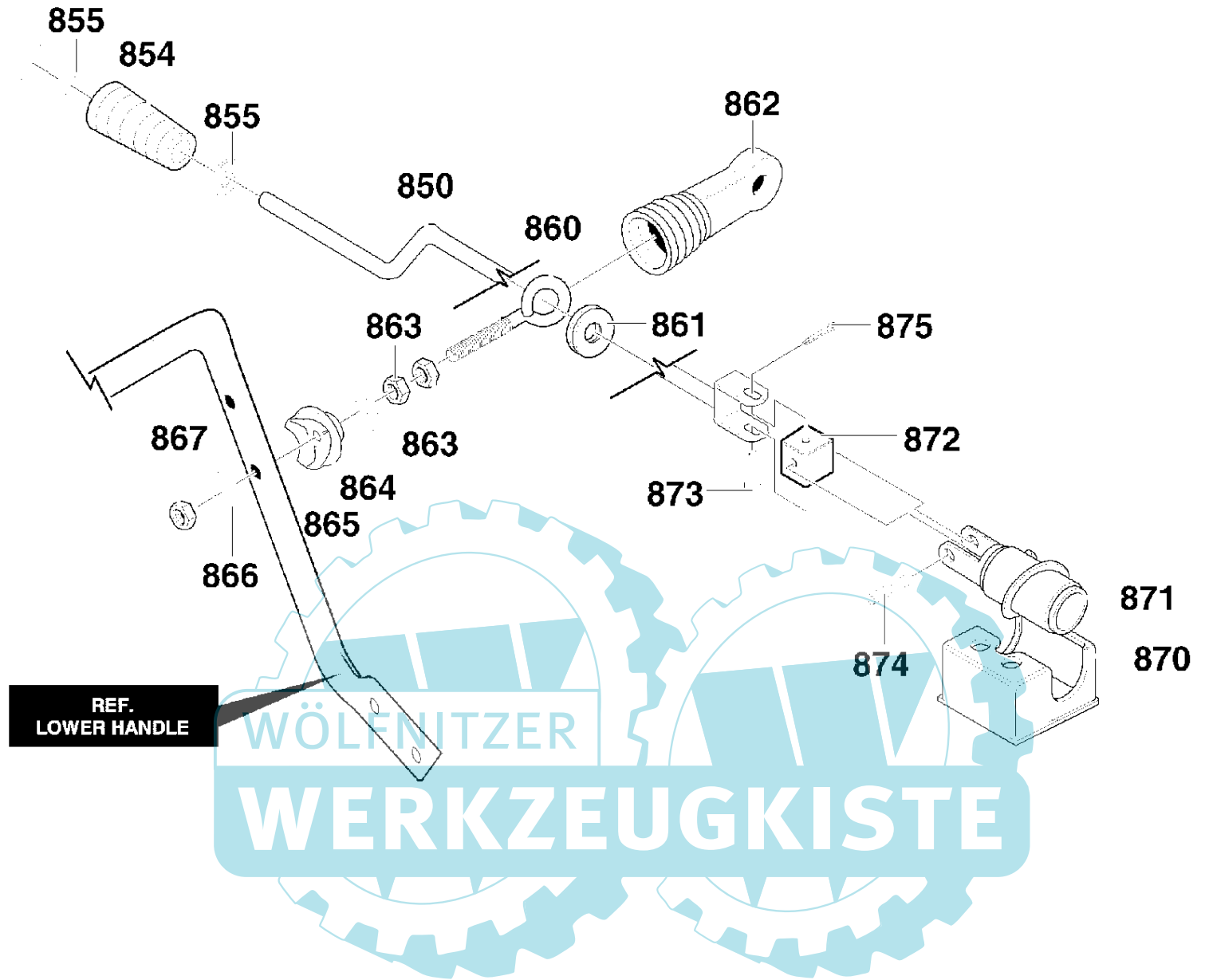


www.ersatzteil-service.de

| Referenznummer | Artikelnummer | Menge | Description |
|----------------|---------------|-------|-----------------------------|
| 480 | 583146 | | PULLEY, V4L |
| 482 | 2001022 | | KEY, SQUARE |
| 483 | 71074 | | WASHER, FLAT .53X1.00X.063 |
| 484 | 712121 | | NUT, 1/2-20 REGHEXCTRLK |
| 485 | 334514 | | SPACER, SLEV |
| 490 | 582960 | | RETAINER, BALL |
| 491 | 043846 | | BEARING, BALL |
| 493 | 313676 | | SCREW, 5/16-18X .75 |
| 499 | 710026 | | NUT, 5/16-18 |
| 500 | 761729-892 | | HOUSING, ASSY |
| 509 | 760040 | | PLUG, CHRISTMAS TREE |
| 510 | 760661-853 | | SCRAPER BLADE |
| 511 | 340720 | | BOLT, 1/4-20X.75 CARR. |
| 514 | 710026 | | NUT, 5/16-18 HEXWDFLLK WHIZ |
| 520 | 760607-853 | | AUGER, LH |
| 521 | 760608-853 | | AUGER, RH |
| 522 | 9524 | | SCREW, 1/4-20X1.75 |
| 523 | 3943 | | SPACER, SLEEVE |
| 524 | 782585 | | NUT, 1/4-20 REGHXCTRLK |
| 525 | 53757 | | BEARING, AUGER SHAFT |
| 527 | 782967 | | SCREW, 5/16-18X.75 |
| 540 | 309016-853 | | SKID, HEIGHT ADJUST |
| 541 | 340720 | | BOLT, 5/16-18X .75 |
| 544 | 710026 | | NUT, 5/16-18 REGHEX |



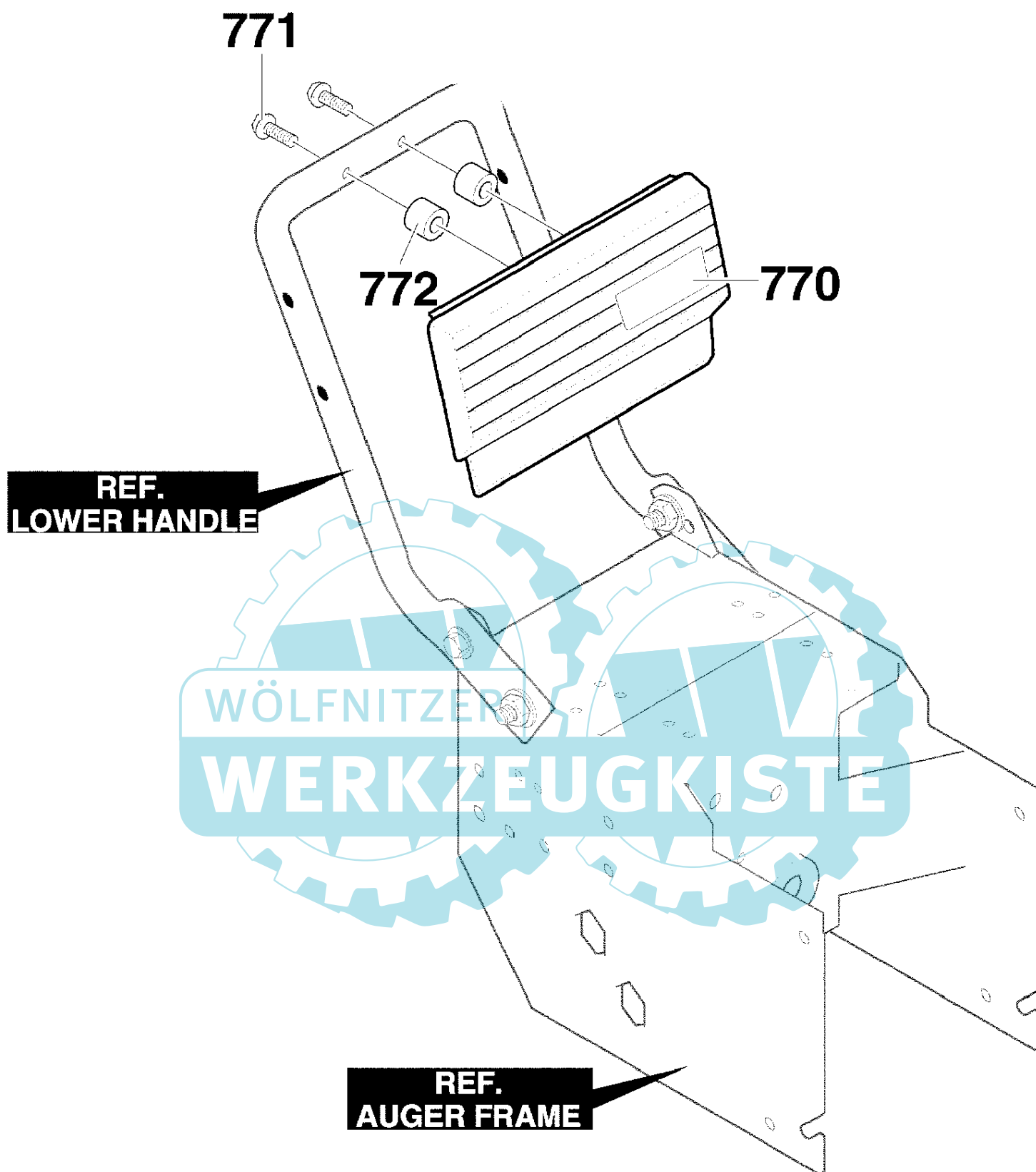
856



www.ersatzteil-service.de

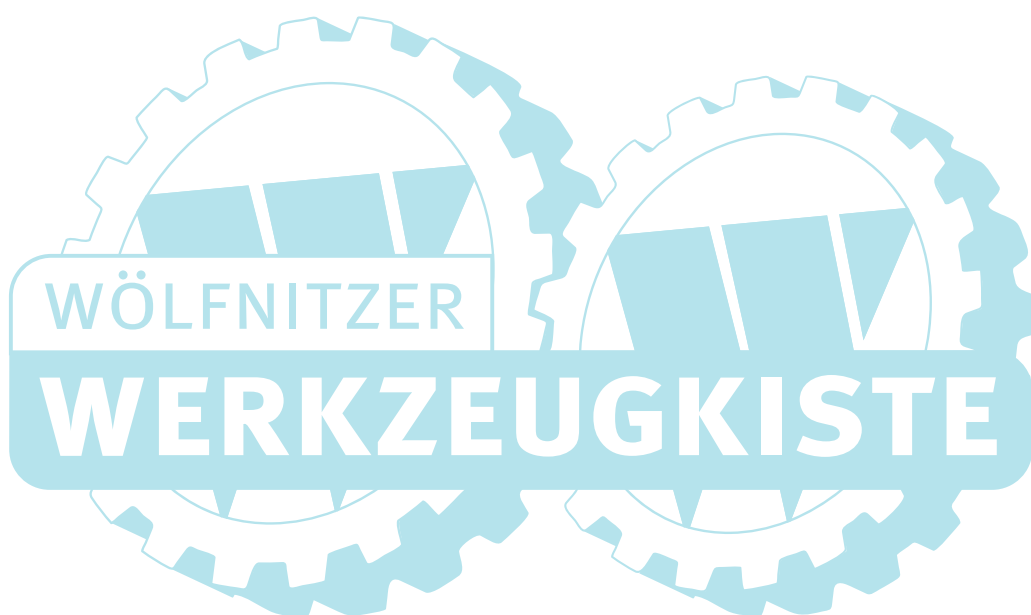
| Referenznummer | Artikelnummer | Menge | Description |
|----------------|---------------|-------|---------------------------|
| 850 | 585426 | | CRANK, ASSY CHUTE |
| 854 | 51443 | | HANDLE, CHUTE CRANK |
| 855 | 309312 | | FLATWASHER .39X.70X.05 |
| 856 | 73664 | | E RING |
| 860 | 581618 | | EYE BOLT 3/8-16X6.00 |
| 861 | 148 | | GROMMET, EYE BOLT |
| 862 | 308145 | | BOOT |
| 863 | 124829 | | NUT, 3/8-16 HEXJAM |
| 864 | 71072 | | FLATWASHER .406X.81X.066 |
| 865 | 309344 | | ADAPTER, BOOT TO HANDLE |
| 866 | 71072 | | FLATWASHER .406X.81X.066 |
| 867 | 71046 | | NUT, 3/8-16 HEXNYL |
| 870 | 585195 | | BRACKET, WORM MTG |
| 871 | 585196 | | WORM, GEAR CHUTE ROTATION |
| 872 | 578063 | | BLOCK, UNIVERSAL PIVOT |
| 873 | 578309 | | CLEVIS PIN |
| 874 | 578060 | | PIN, UNIVERSAL JOINT |
| 875 | 579493 | | COTTER PIN |



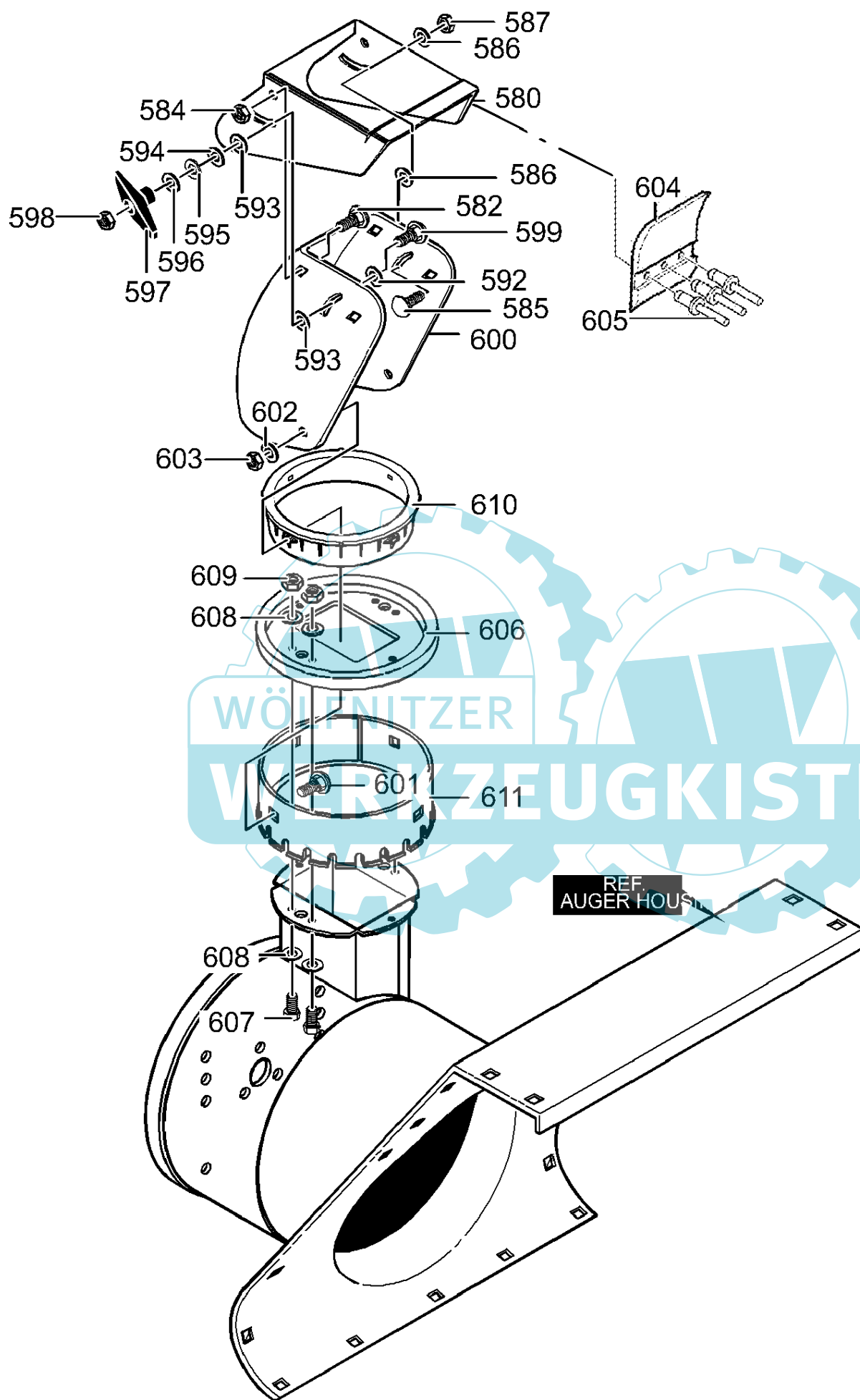


www.ersatzteil-service.de

| Referenznummer | Artikelnummer | Menge | Description |
|----------------|---------------|-------|--------------|
| 770 | 337293 | | PANEL, DECO |
| 771 | 341026 | | SCREW |
| 772 | 3943 | | SPACER, SLEV |

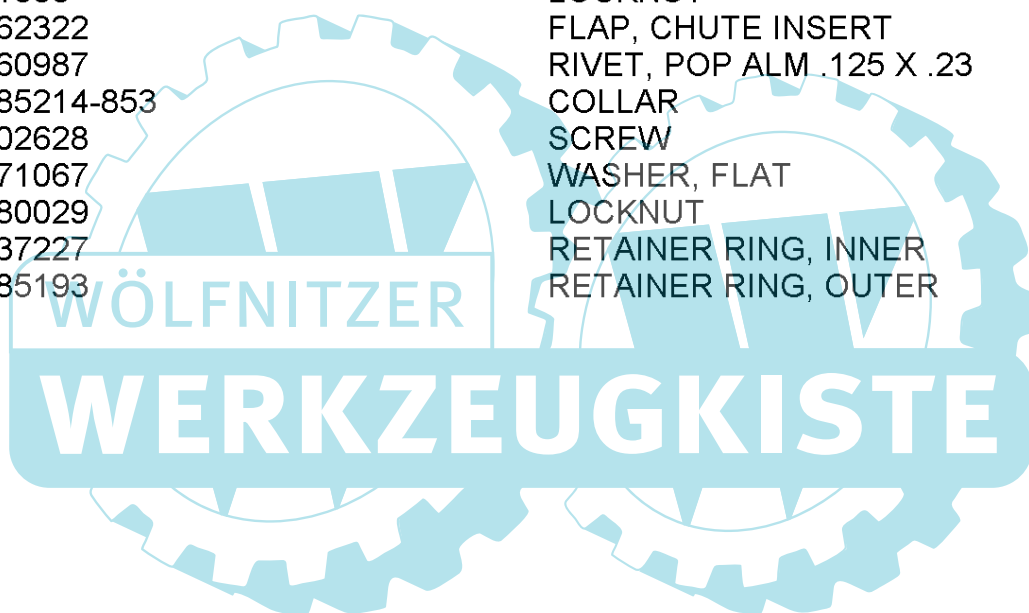


www.ersatzteil-service.de

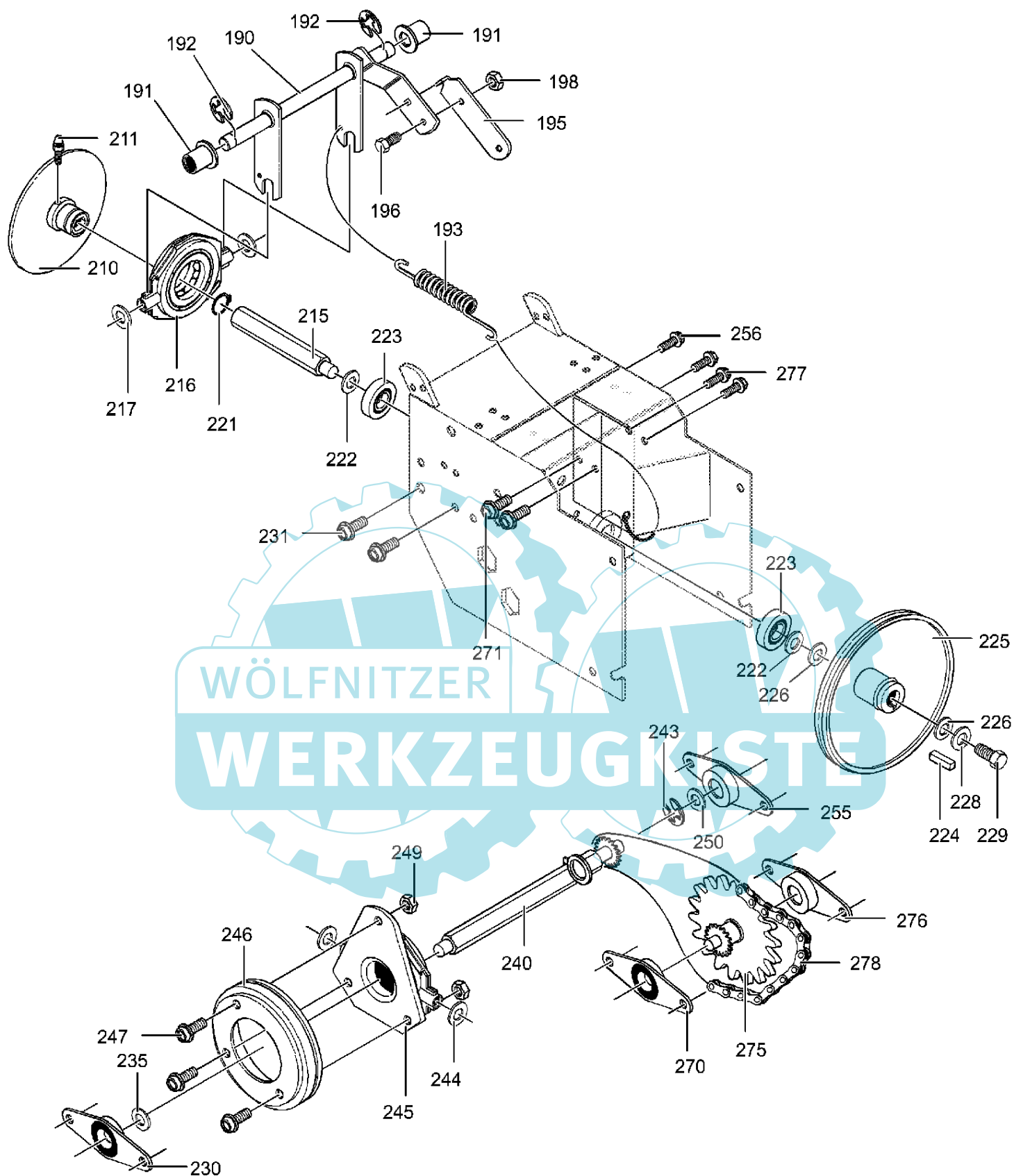


www.ersatzteil-service.de

| Referenznummer | Artikelnummer | Menge | Description |
|----------------|---------------|-------|----------------------------|
| 580 | 761070-853 | | CHUTE, UPPER RH CONTROL |
| 582 | 578088 | | SCREW |
| 584 | 71038 | | LOCKNUT |
| 585 | 578088 | | SCREW |
| 586 | 6711 | | WASHER, PLASTIC |
| 587 | 71038 | | LOCKNUT |
| 592 | 12021 | | WASHER, PLASTIC |
| 593 | 6711 | | WASHER, PLASTIC |
| 594 | 120393 | | WASHER, FLAT |
| 595 | 120638 | | WASHER |
| 596 | 120393 | | WASHER, FLAT |
| 597 | 13527 | | T-KNOB |
| 598 | 71037 | | HEXNUT |
| 599 | 3316 | | BOLT |
| 600 | 761328-853 | | ASSEMBLY, CHUTE |
| 601 | 586280 | | BOLT |
| 602 | 120393 | | WASHER, FLAT |
| 603 | 71038 | | LOCKNUT |
| 604 | 762322 | | FLAP, CHUTE INSERT |
| 605 | 760987 | | RIVET, POP ALM. .125 X .23 |
| 606 | 585214-853 | | COLLAR |
| 607 | 302628 | | SCREW |
| 608 | 071067 | | WASHER, FLAT |
| 609 | 780029 | | LOCKNUT |
| 610 | 337227 | | RETAINER RING, INNER |
| 611 | 585193 | | RETAINER RING, OUTER |



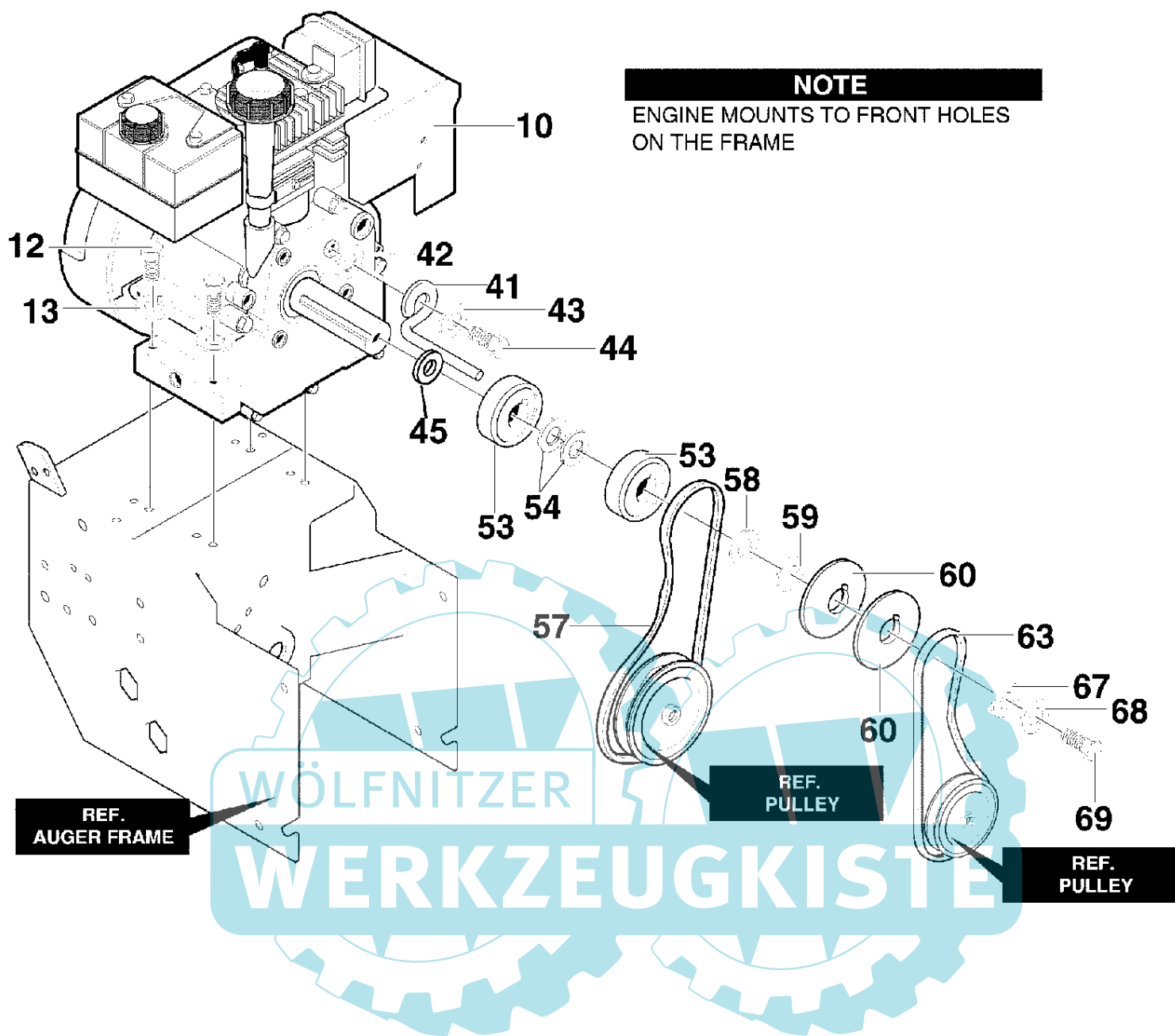
www.ersatzteil-service.de



www.ersatzteil-service.de

| Referenznummer | Artikelnummer | Menge | Description |
|----------------|---------------|-------|-----------------------------|
| 190 | 761820 | | LEVER, ASSY TRACTION CLUTCH |
| 191 | 53703 | | BEARING, FLANGE |
| 192 | 011X16 | | RING, RET E |
| 193 | 53818 | | SPRING, RETURN |
| 195 | 579937 | | LEVER, SPRING |
| 196 | 11871 | | SCREW, 1/4-20X .63 |
| 198 | 782585 | | NUT, 1/4-20 REGHEXCTRLK |
| 210 | 583163-853 | | DISC, ASSY |
| 211 | 583206 | | ZERK, GREASE |
| 215 | 583155 | | SHAFT, HEX TRACTION |
| 216 | 85501 | | BEARING, TRUNION |
| 217 | 71074 | | FLATWASHER, .53 X1.00X.063 |
| 221 | 73811 | | RING, RETEX |
| 222 | 580969 | | FLATWASHER, .680X1.12X.060 |
| 223 | 043846 | | BEARING, BALL |
| 224 | 2001022 | | KEY, SQUARE |
| 225 | 580961 | | PULLEY, V3L 6.50X .56 |
| 226 | 580965 | | WASHER, WAVE |
| 227 | 712123 | | FLATWASHER, .281X1.00X.063 |
| 228 | 071059 | | WASHER, SPLIT .26X.50X.06 |
| 229 | 56689 | | SCREW, 1/4-20X .75 HHC |
| 230 | 334163 | | BEARING & RETAINER |
| 231 | 780055 | | SCREW, 5/16-18X .50 |
| 235 | 579858 | | WASHER, .502X .75X.0605 |
| 240 | 762334 | | HEX, ASSY#40-8T W/PBRG |
| 243 | 783002 | | RING, RETEX |
| 244 | 71074 | | FLATWASHER, .53 X1.00X.063 |
| 245 | 337029 | | BEARING, TRUNION |
| 246 | 313883 | | WHEEL, ASSY FRICTION |
| 247 | 11871 | | SCREW, 1/4-20X .63 |
| 249 | 303008 | | NUT, 1/4-20 HEXKEPS |
| 250 | 579858 | | WASHER, .502X .75X.0605 |
| 255 | 334163 | | BEARING & RETAINER |
| 256 | 780055 | | SCREW, 5/16-18X .50 |
| 270 | 334163 | | BEARING & RETAINER |
| 271 | 780055 | | SCREW, 5/16-18X .50 |
| 275 | 761789 | | JACK, ASSY#41-36/7 |
| 276 | 334163 | | BEARING & RETAINER |
| 277 | 780055 | | SCREW |
| 278 | 579867 | | CHAIN ROLLER |

www.ersatzteil-service.de



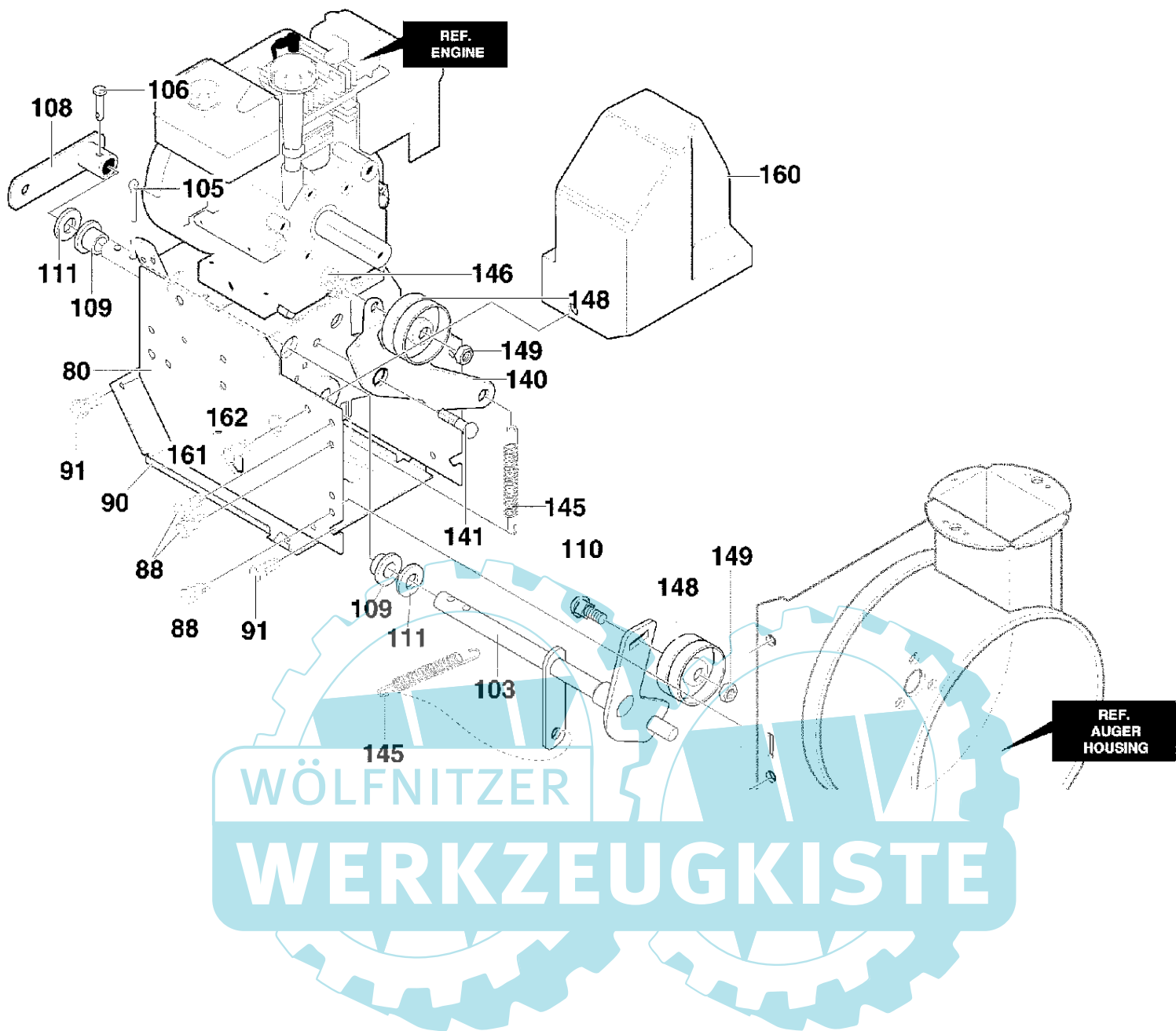
NOTE
ENGINE MOUNTS TO FRONT HOLES
ON THE FRAME

www.ersatzteil-service.de

| Referenznummer | Artikelnummer | Menge | Description |
|----------------|---------------|-------|-----------------------------|
| 10 | | | ENGINE |
| 12 | 710024 | | SCREW, 5/16-18 |
| 13 | 120638 | | WASHER, SPTLK .31X.58X.08 |
| 41 | 3949 | | GUIDE, ROD BELT |
| 42 | 6711 | | PLASTIC WASHER |
| 43 | 120638 | | WASHER, SPTLK .31X.58X.08 |
| 44 | 910828 | | SCREW, 5/16-24X 1.00 |
| 45 | 762291 | | SPACER |
| 53 | 579854 | | PULLEY, HALF |
| 54 | 579861 | | WASHER, FLAT .752X.91X.02 |
| 57 | 579932 | | BELT, V 3L 33.13LG |
| 58 | 712120 | | FLATWASHER .765X1.12X.06 |
| 59 | 586251 | | SPACER, SLEEVE |
| 60 | 586253 | | PULLEY, ENGINE |
| 63 | 585416 | | BELT, V 4L38.1LG |
| 67 | 50677 | | WASHER, FLAT .375X1.25X.104 |
| 68 | 018X31 | | WASHER,HVSPTLK .38ID |
| 69 | 39573 | | SCREW, 3/8-24X1.00 |
| | F-001093J | | OWNER'S MANUAL |

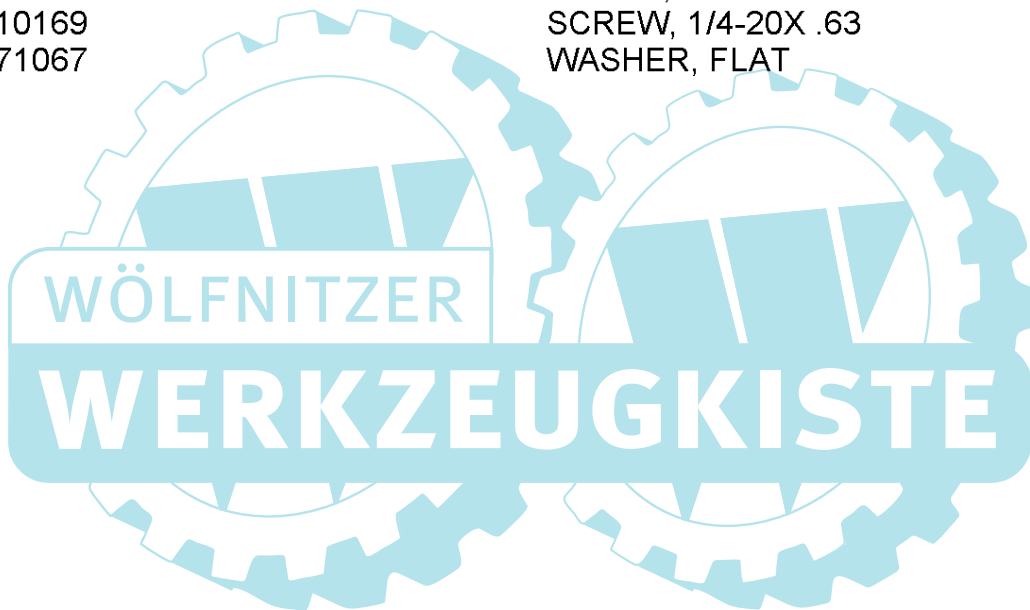


www.ersatzteil-service.de

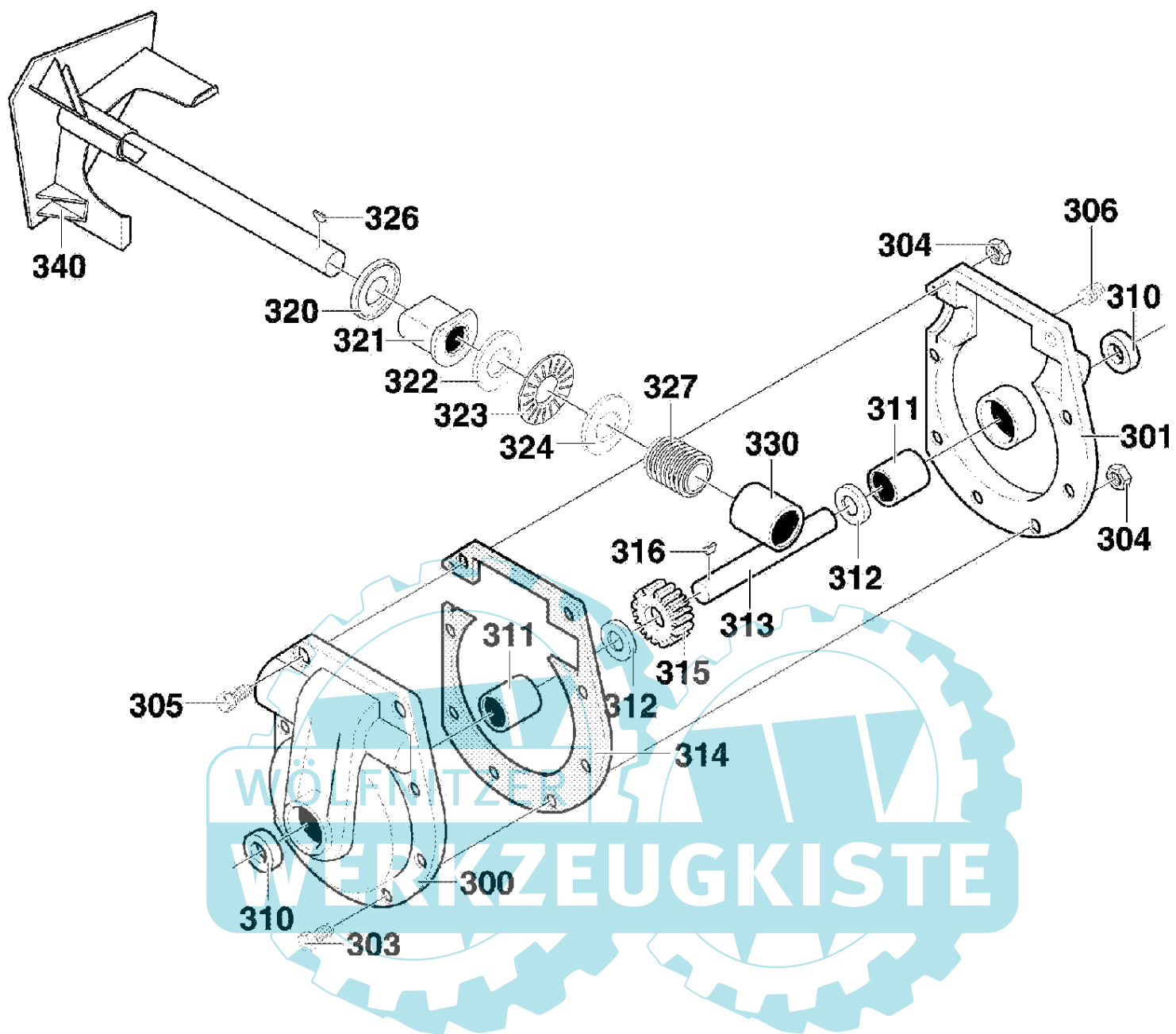


www.ersatzteil-service.de

| Referenznummer | Artikelnummer | Menge | Description |
|----------------|---------------|-------|-----------------------------|
| 80 | 761703-892 | | FRAME ASSY |
| 88 | 780055 | | SCREW, 5/16-18X .50 |
| 90 | 583031-853 | | COVER, BOTTOM |
| 91 | 310169 | | SCREW, 1/4-20X .63 |
| 103 | 762296 | | IDLER ASSEMBLY |
| 105 | 711682 | | PIN, HAIR .38DIAX1.64LG |
| 106 | 761761 | | PIN, KLIK 3/16" DIA |
| 108 | 761766 | | ASSY., SPRING ATTACH WHEEL |
| 109 | 53703 | | BEARING, FL. |
| 110 | 585781 | | BOLT, 3/8-16X1.25 CARR. |
| 111 | 711617 | | WASHER, FLAT |
| 140 | 761701 | | LEVER, IDLER ARM TRACTION |
| 141 | 329989 | | BOLT, .625X.135 HSH 5/16-18 |
| 145 | 53704 | | IDLER SPRING TRACTION DRIVE |
| 146 | 761760 | | SCREW, 3/8-16X1.25 |
| 148 | 50793 | | PULLEY, IDLER |
| 149 | 41529 | | NUT, 3/8-16 |
| 160 | 760479 | | COVER, BELT |
| 161 | 310169 | | SCREW, 1/4-20X .63 |
| 162 | 071067 | | WASHER, FLAT |

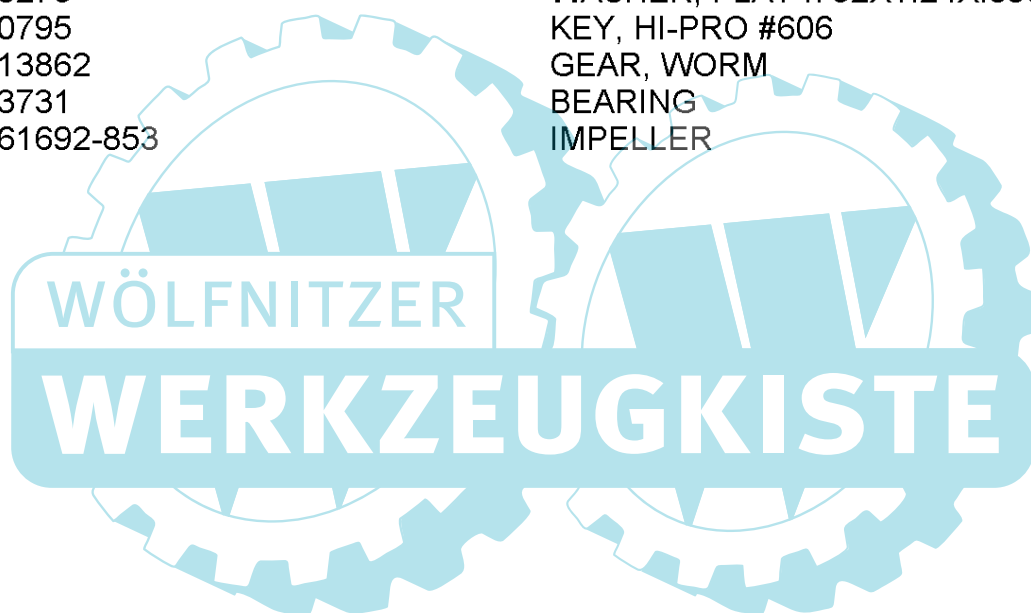


www.ersatzteil-service.de

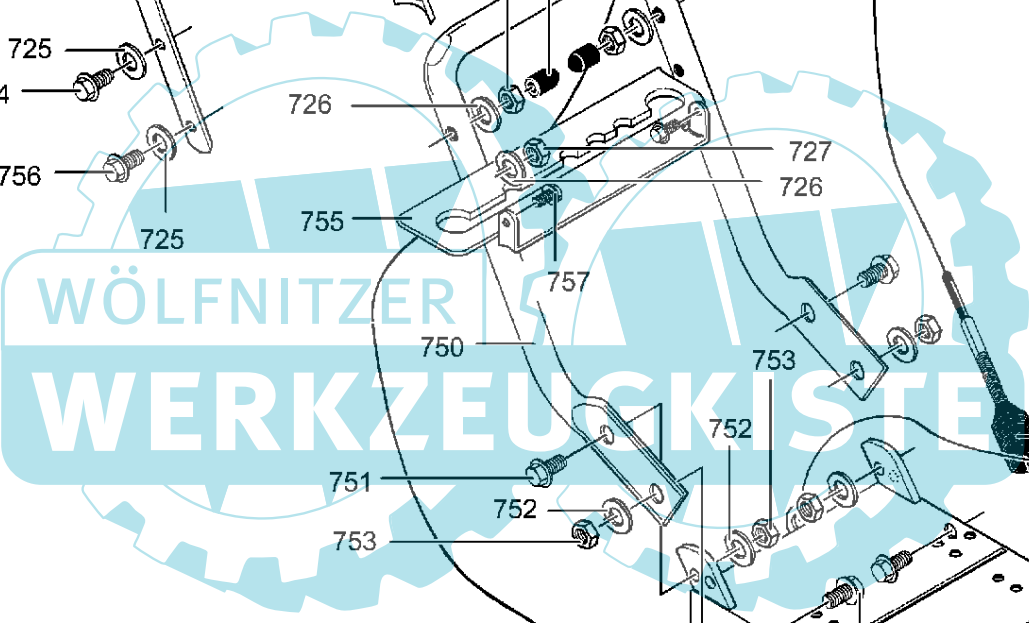
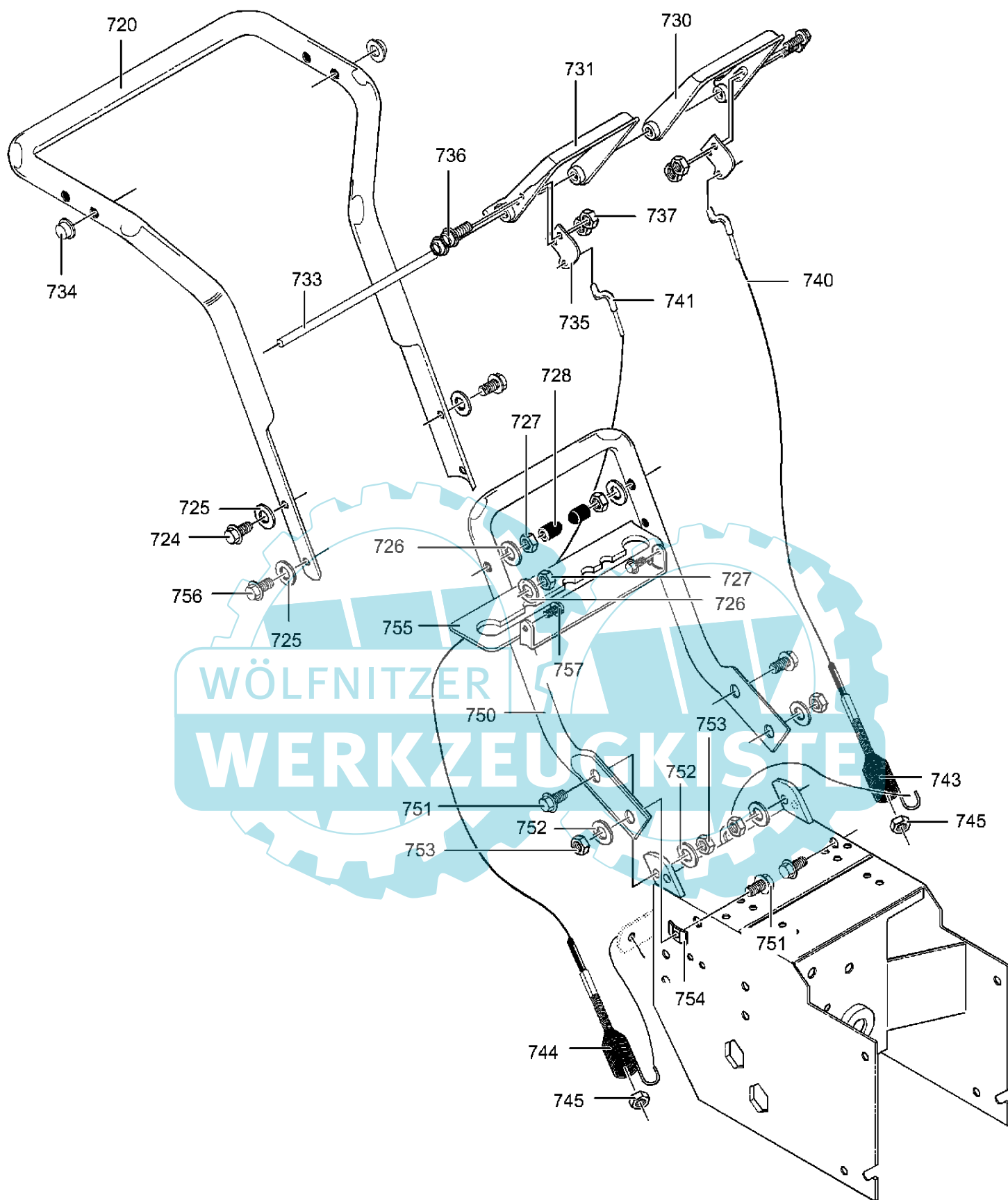


www.ersatzteil-service.de

| Referenznummer | Artikelnummer | Menge | Description |
|----------------|---------------|-------|-----------------------------|
| 300 | 896 | | CASE, GEAR RH |
| 301 | 895 | | CASE, GEAR LH |
| 303 | 910828 | | SCREW, 5/16-24X1.00 |
| 304 | 71100 | | NUT, 5/16-24 HEXWDFLLK |
| 305 | 330434 | | SCREW, 5/16-24X1.50 |
| 306 | 313872 | | PLUG, PIPE |
| 310 | 780151 | | SEAL, OIL |
| 311 | 313870 | | BEARING, SLEEVE |
| 312 | 313871 | | WASHER, FLAT 1.00X1.54X.09 |
| 313 | 760529 | | SHAFT, AUGER |
| 314 | 897 | | GASKET, GEAR BOX |
| 315 | 53730 | | GEAR, WORM |
| 316 | 73905 | | KEY, WOODRUFF #91 |
| 320 | 313914 | | RING, QUAD |
| 321 | 583126 | | BEARING, FLANGE |
| 322 | 48275 | | WASHER, FLAT .752X1.24X.093 |
| 323 | 313828 | | BEARING, ROLL |
| 324 | 48275 | | WASHER, FLAT .752X1.24X.093 |
| 326 | 50795 | | KEY, HI-PRO #606 |
| 327 | 313862 | | GEAR, WORM |
| 330 | 53731 | | BEARING |
| 340 | 761692-853 | | IMPELLER |



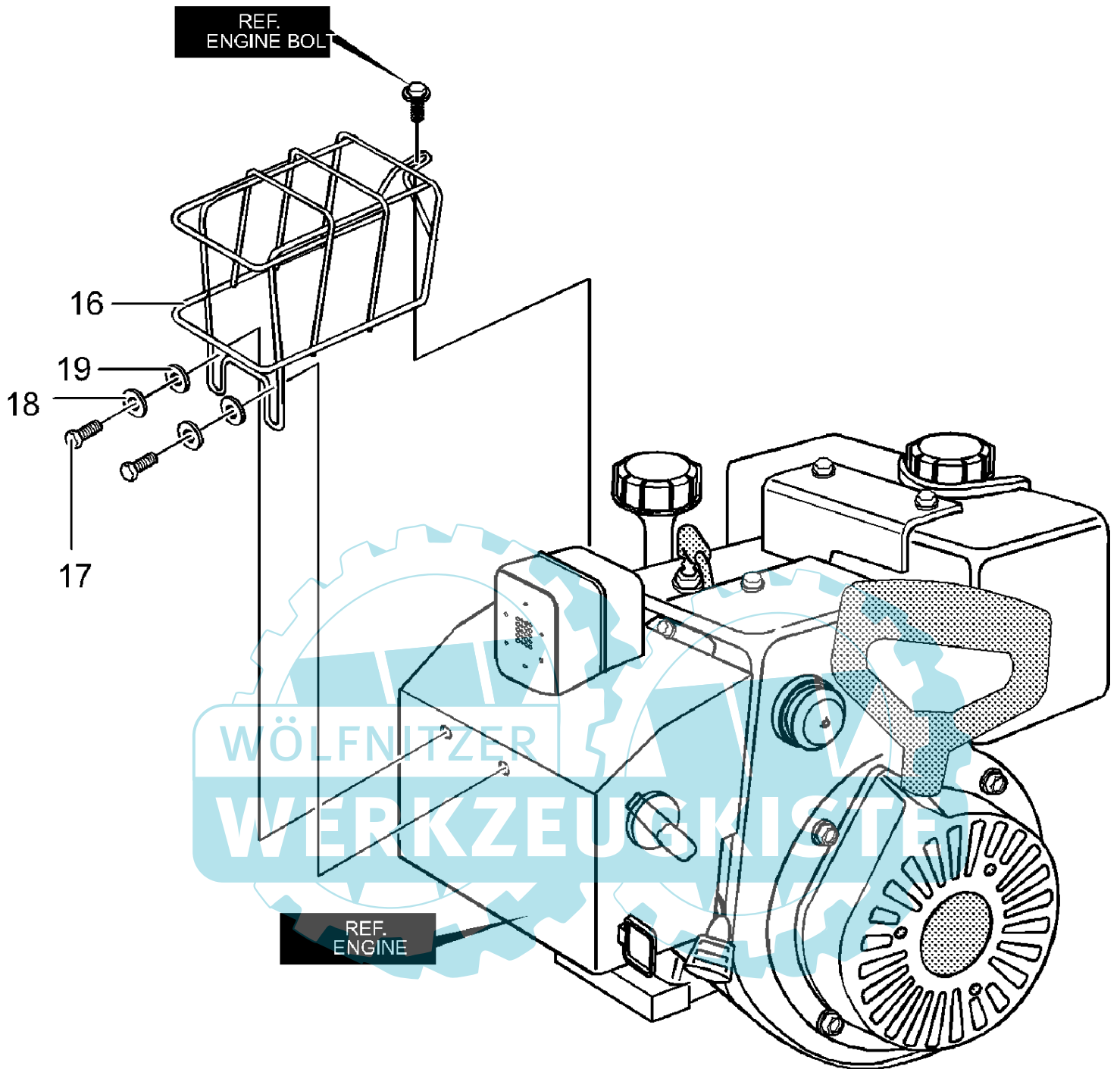
www.ersatzteil-service.de



www.ersatzteil-service.de

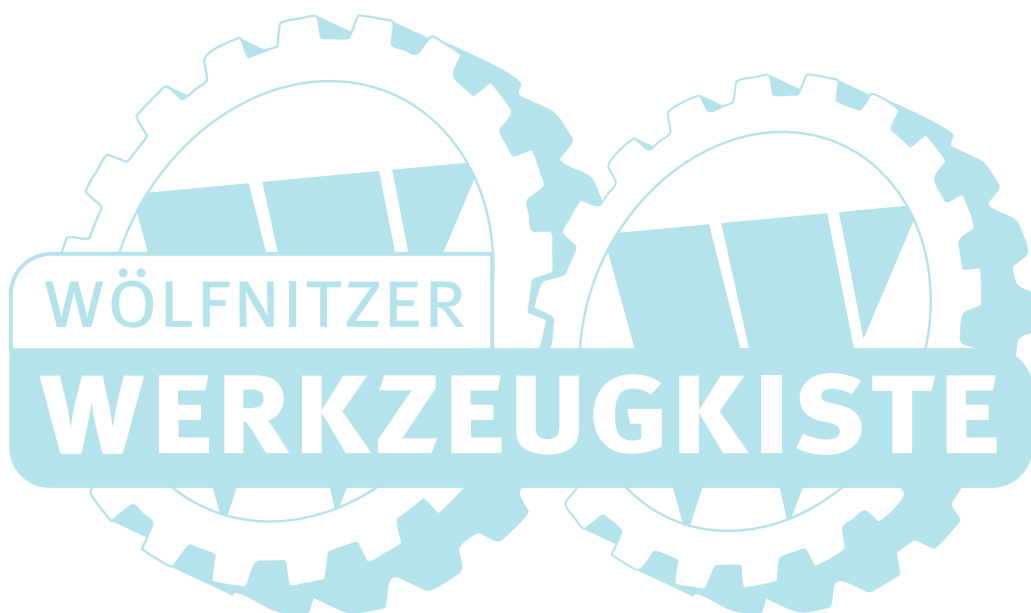
| Referenznummer | Artikelnummer | Menge | Description |
|----------------|---------------|-------|------------------------------|
| 720 | 321835-853 | | HANDLE |
| 724 | 11234 | | SCREW |
| 725 | 120393 | | WASHER, FLAT |
| 726 | 120638 | | WASHER |
| 727 | 71037 | | NUT |
| 728 | 11261 | | PLASTIC-STOP |
| 730 | 302557 | | CLUTCH, LEFT HANDLE CONTROL |
| 731 | 302558 | | CLUTCH, RIGHT HANDLE CONTROL |
| 733 | 12621 | | ROD, PIVOT HANDLE |
| 734 | 3535 | | PUSH ON CAP |
| 735 | 302620-853 | | PLATE, CABLE PIVOT |
| 736 | 303108 | | SCREW |
| 737 | 73826 | | NUT |
| 740 | 1579 | | CABLE, CLUTCH |
| 741 | 761590 | | CABLE, AUGER CLUTCH |
| 743 | 579869 | | SPRING, TENSION |
| 744 | 1673 | | SPRING, AUGER CLUTCH |
| 745 | 780029 | | LOCKNUT |
| 755 | 337407-853 | | BRACKET, GEAR SELECTOR |
| 757 | 300303 | | SCREW |
| 750 | 339541-853 | | HANDLE, LOWER |
| 751 | 313053 | | SCREW |
| 752 | 120638 | | WASHER |
| 753 | 71037 | | NUT |
| 754 | | | UNKNOWN |
| 756 | | | UNKNOWN |

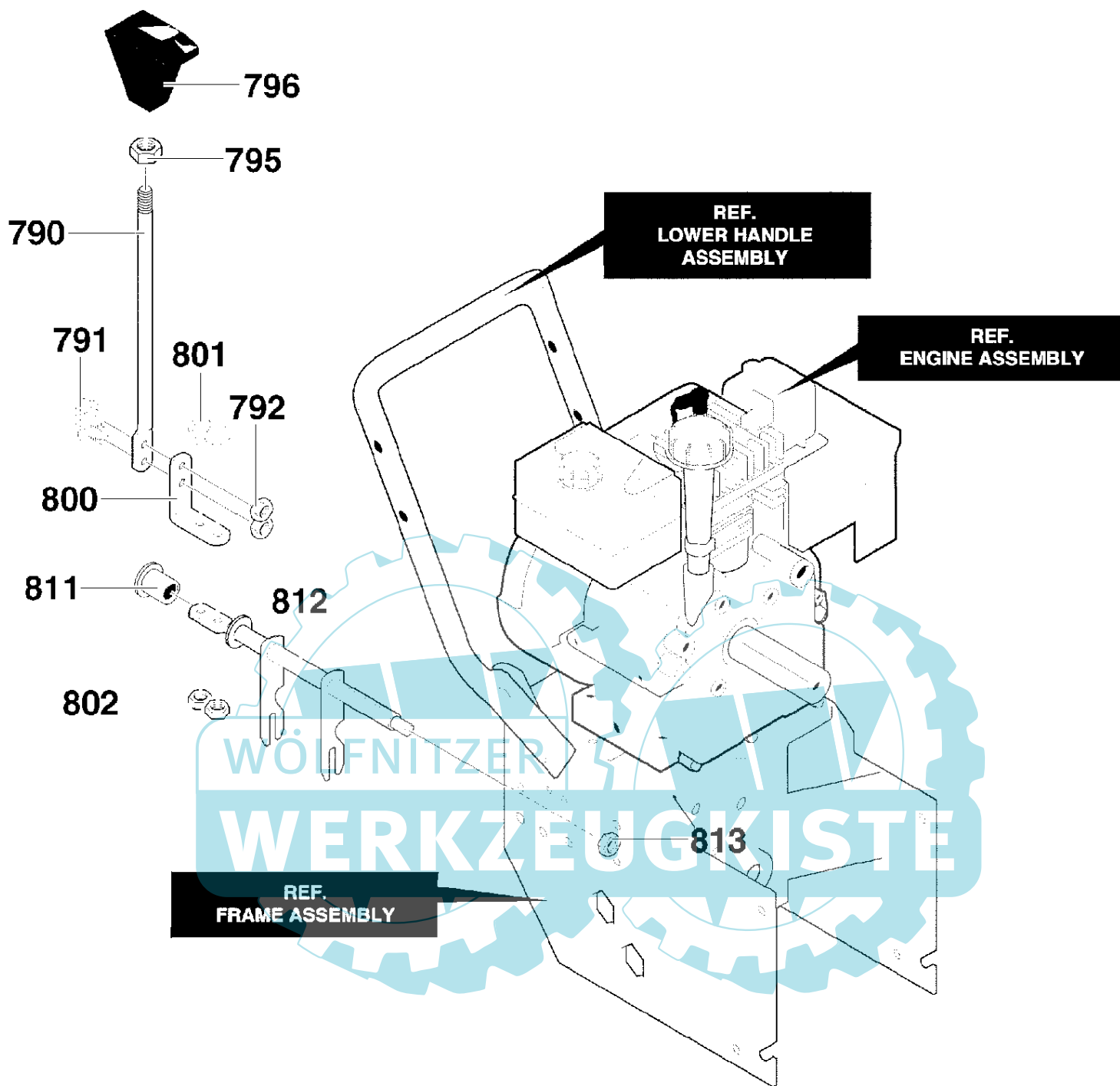




www.ersatzteil-service.de

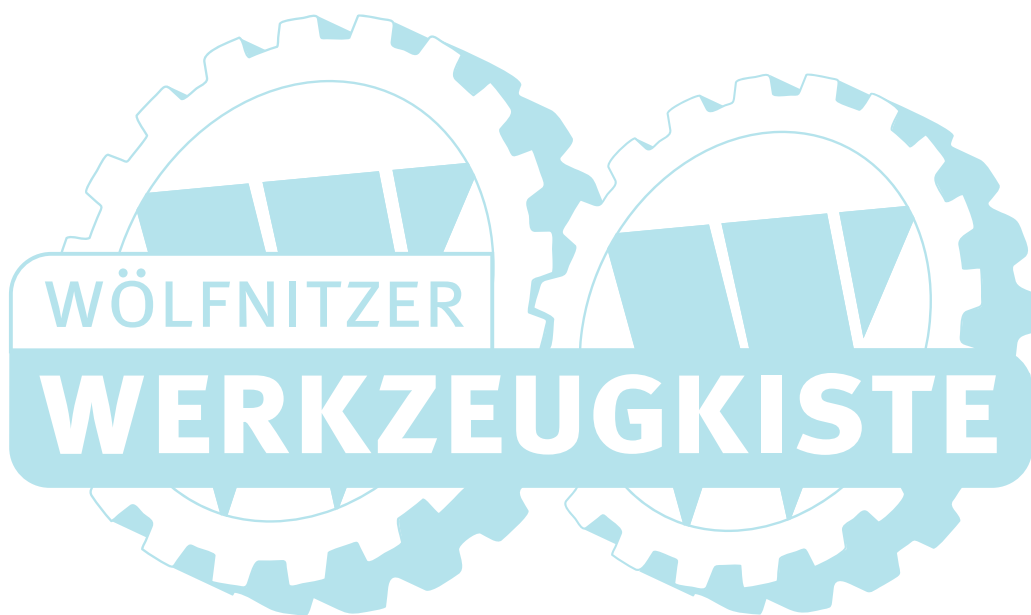
| Referenznummer | Artikelnummer | Menge | Description |
|----------------|---------------|-------|----------------|
| 16 | 304436 | | GUARD, MUFFLER |
| 17 | 304807 | | SCREW |
| 18 | 304810 | | WASHER |
| 19 | 304809 | | WASHER |

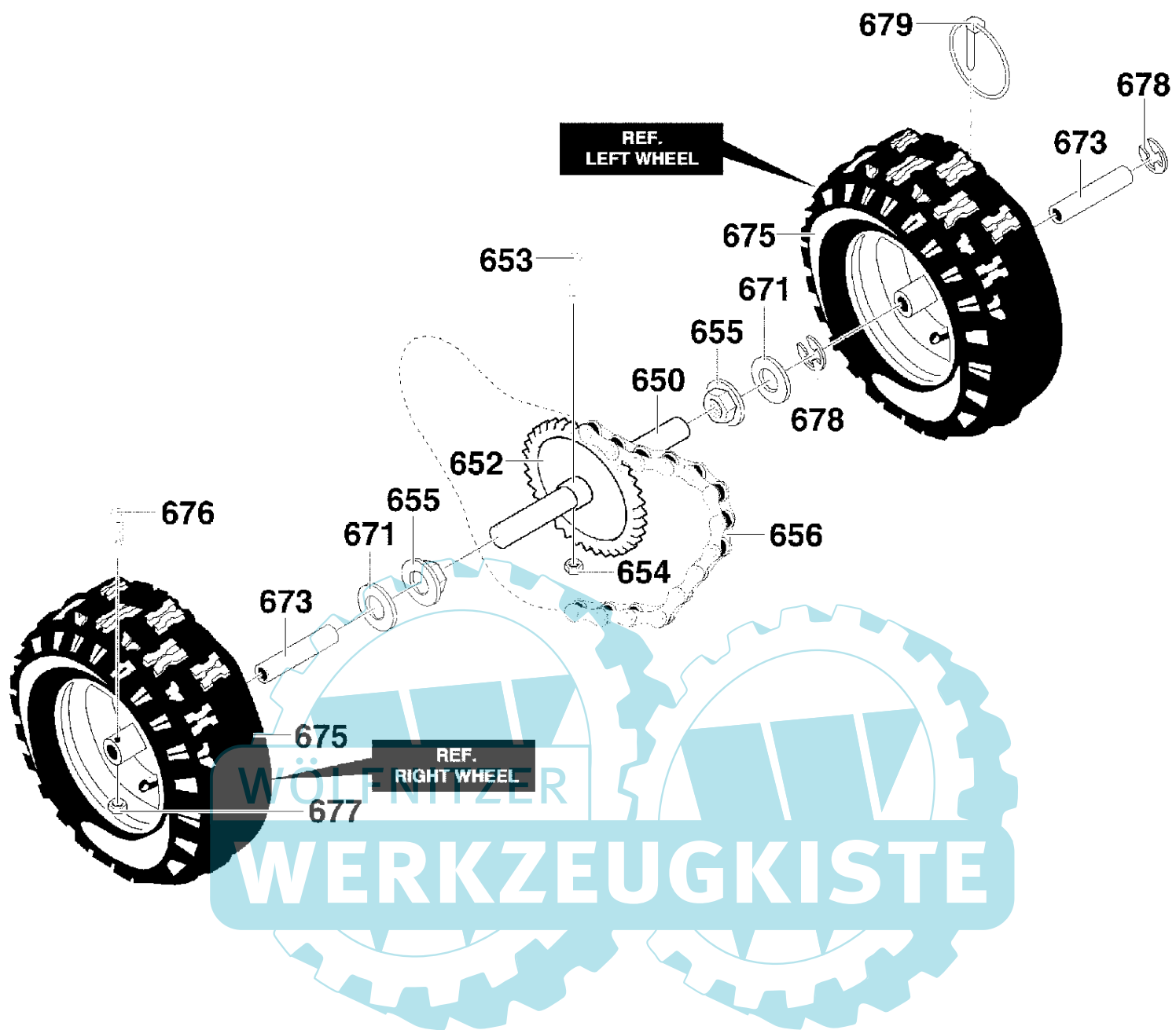




www.ersatzteil-service.de

| Referenznummer | Artikelnummer | Menge | Description |
|----------------|---------------|-------|-------------------------|
| 790 | 581631-853 | | ROD, SHIFT |
| 791 | 302628 | | SCREW, 1/4-20X.75 |
| 792 | 782585 | | NUT, 1/4-20 REGHEXCTRLK |
| 795 | 318486 | | NUT, 1/2-13 HEXJAM |
| 796 | 304438 | | KNOB, SHIFT |
| 800 | 760564 | | LEVER, SPRING SHIFT |
| 801 | 302628 | | SCREW, 1/4-20X.75 |
| 802 | 782585 | | NUT, 1/4-20 REGHEXCTRLK |
| 811 | 579944 | | BEARING, FLANGED |
| 812 | 581795 | | ROD, ASSY. YOKE |
| 813 | 071111 | | NUT, 3/8-16 HEXCTRLK |





www.ersatzteil-service.de

| Referenznummer | Artikelnummer | Menge | Description |
|----------------|---------------|-------|--------------------------|
| 650 | 583017 | | SHAFT, AXLE |
| 652 | 583007 | | SPRKT & HUB |
| 653 | 73839 | | SCREW, 1/4-20X2.25 |
| 654 | 780029 | | NUT, 1/4-20 HEX NYLOCK |
| 655 | 581730 | | BRNG, FL |
| 656 | 583013 | | CHAIN, ROLLER |
| 671 | 712120 | | FLATWASHER .765X1.12X.06 |
| 673 | 585591 | | BUSHING, WHEEL |
| 675 | 583384 | | TIRE & RIM |
| 676 | 577015 | | SCREW, 1/4-20X1.75 HH |
| 677 | 780029 | | NUT, 1/4-20 HEX NYLOCK |
| 678 | 239 | | RING, RET |
| 679 | 73842 | | PIN, KLIK .25 X 1.38 DIA |

