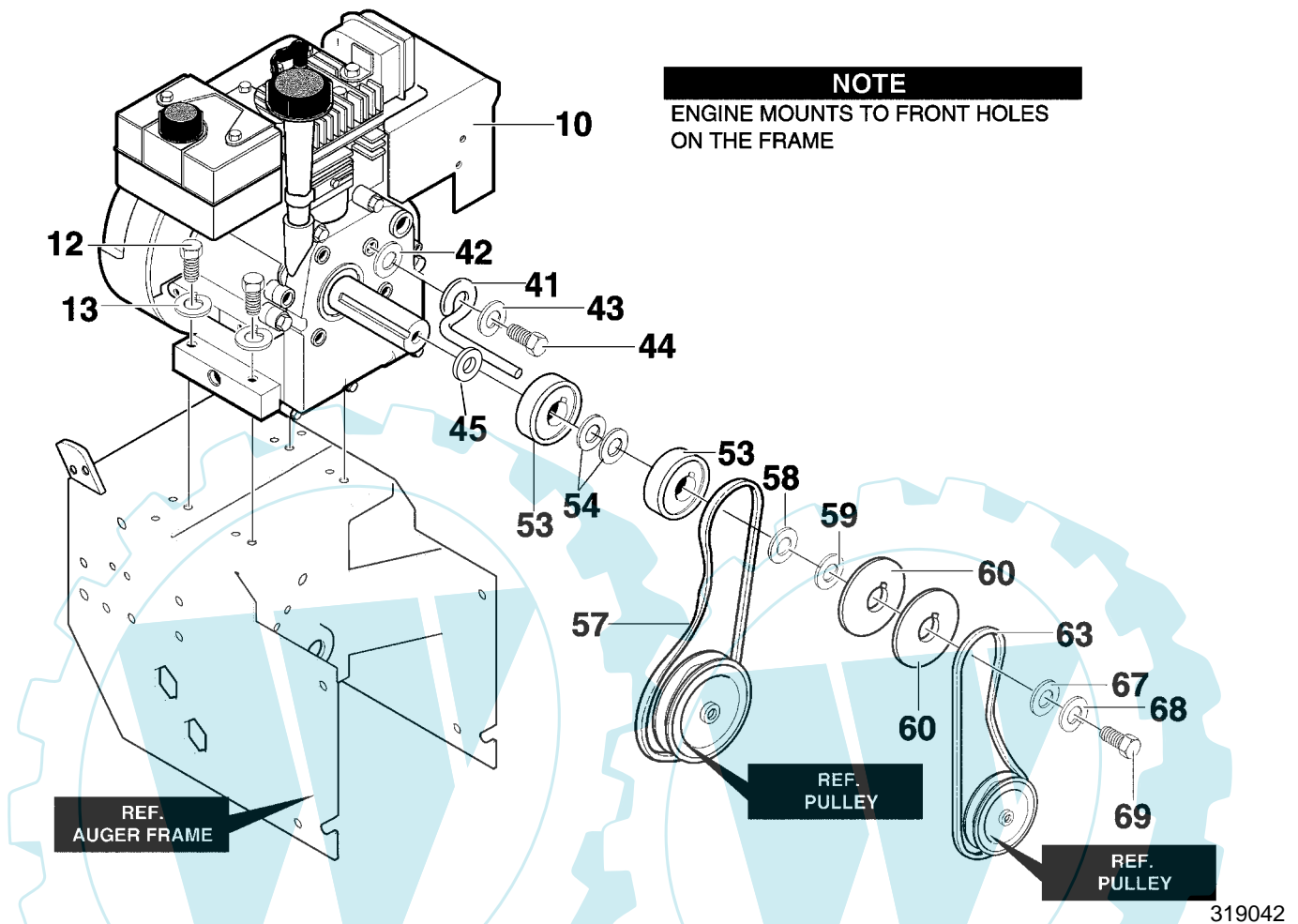


MODEL 629104x61A

REPAIR PARTS
ENGINE ASSEMBLY



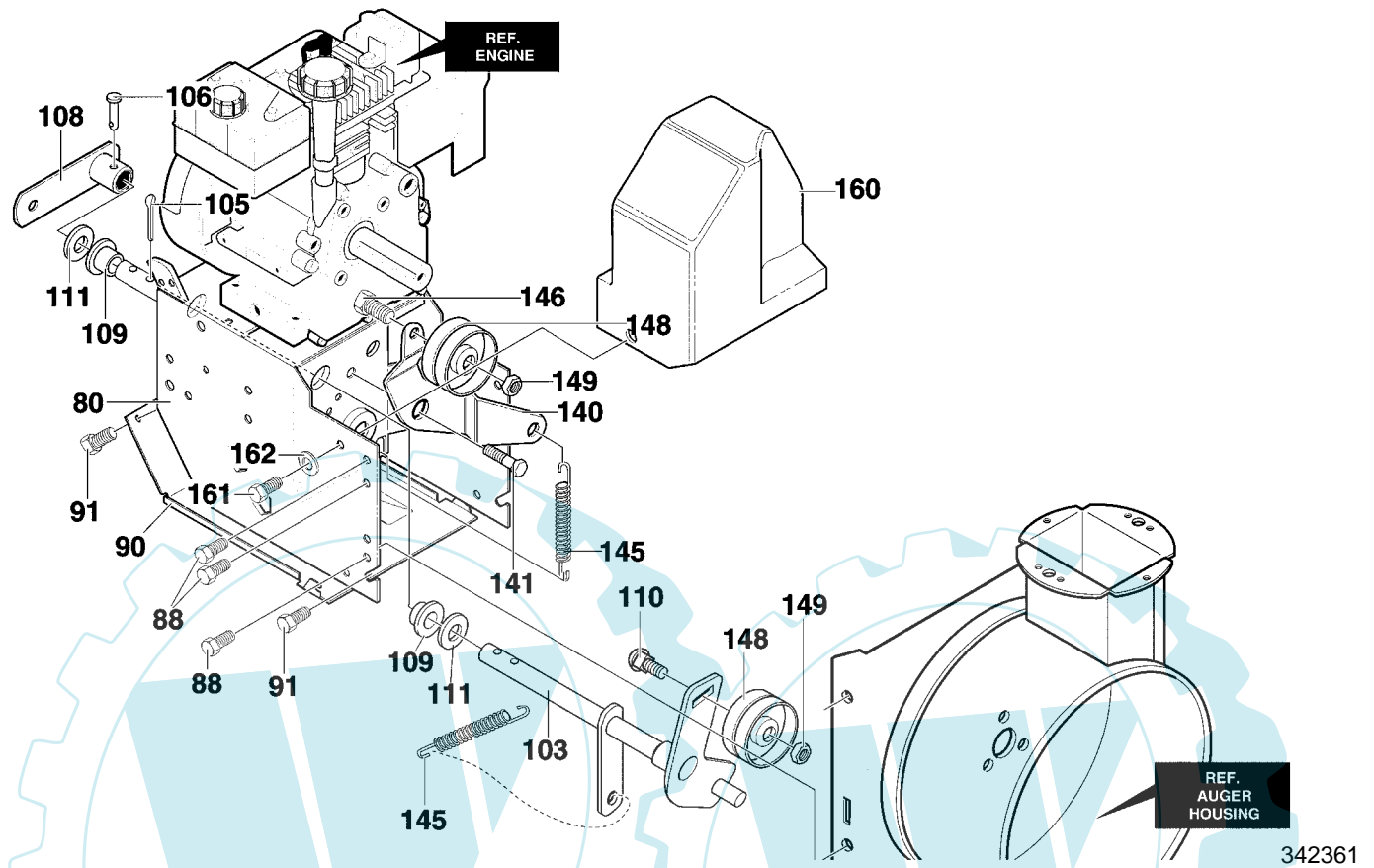
NOTE
ENGINE MOUNTS TO FRONT HOLES
ON THE FRAME

Key No.	Description	Part No.
10	(SEE ENGINE MANUAL)	ENGINE
12	SCREW, 5/16-18	710024
13	WASHER	120638
41	GUIDE, ROD BELT	3949
42	PLASTIC WASHER	6711
43	WASHER	120638
44	SCREW, 5/16-24X 1.00	910828
45	SPACER	762291
53	PULLEY, HALF	579854
54	WASHER, FLAT	579861
57	BELT, V 3L 33.13LG	579932
58	FLATWASHER	712120
59	SPACER, SLEEVE	586251
60	PULLEY, ENGINE	586253
63	BELT, V 4L38.1LG	585416
67	WASHER, FLAT	50677
68	WASHER	18x31
69	SCREW, 3/8-24X1.00	39573
—	OWNER'S MANUAL	F-021062L

319042

MODEL 629104x61A

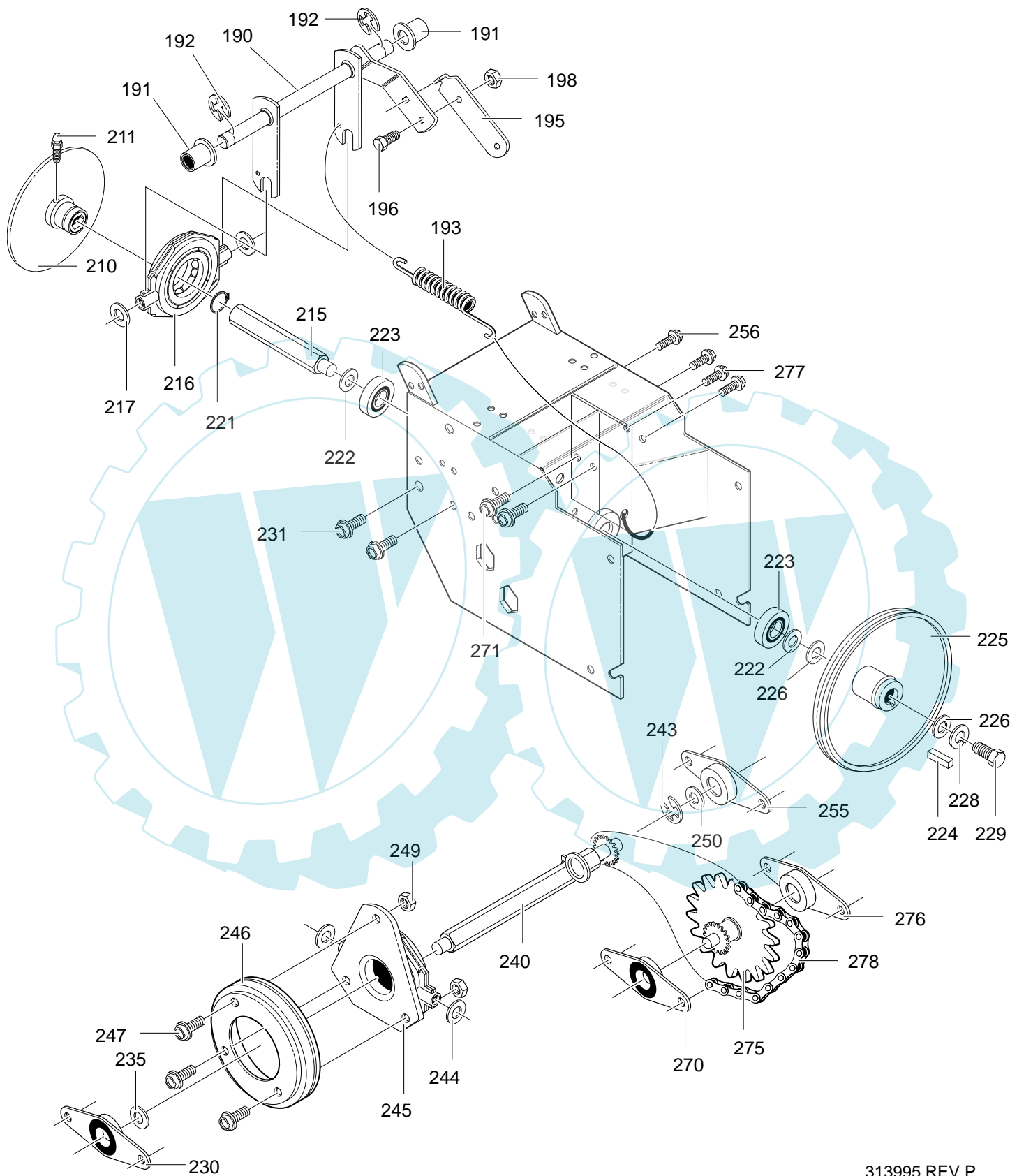
REPAIR PARTS
FRAME COMPONENTS ASSEMBLY



Key No.	Description	Part No.
80	FRAME ASSY	761703-898
88	SCREW, 5/16-18X .50	780055
90	COVER, BOTTOM	583031-853
91	SCREW, 1/4-20X .63	310169
103	IDLER ASSEMBLY	762296
105	PIN, HAIR	711682
106	PIN, KLIK 3/16"	761761
108	ASSY., SPRING ATTACH WHEEL	761766
109	BEARING, FL.	53703
110	BOLT	585781
111	WASHER, FLAT	711617
140	LEVER, IDLER ARM TRACTION	761701
141	BOLT	329989
145	IDLER SPRING TRACTION DRIVE	53704
146	SCREW, 3/8-16X1.25	761760
148	PULLEY, IDLER	50793
149	NUT, 3/8-16	41529
160	COVER, BELT	760479
161	SCREW, 1/4-20X .63	310169
162	WASHER, FLAT	71067

MODEL 629104x61A

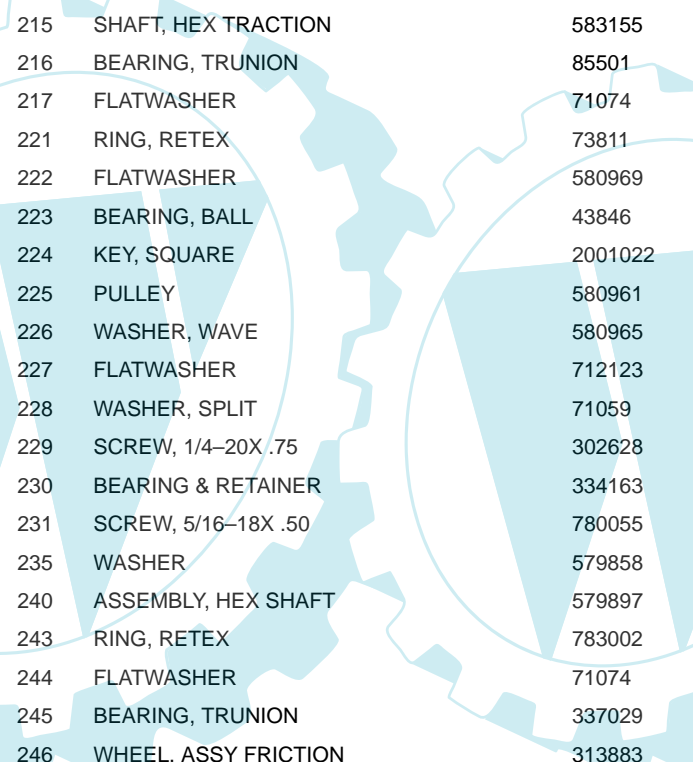
REPAIR PARTS DRIVE COMPONENTS ASSEMBLY



313995 REV P

MODEL 629104x61A

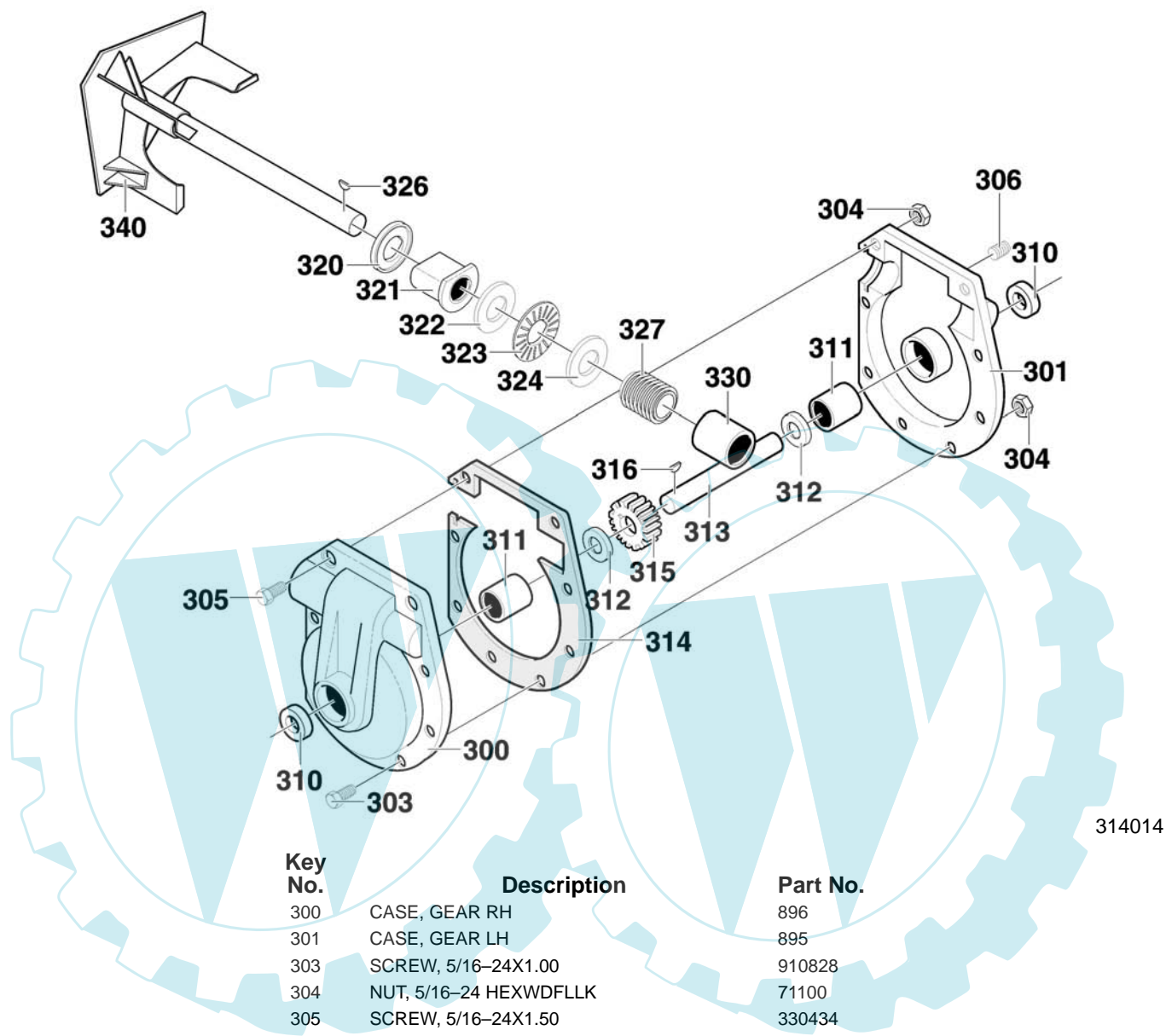
**REPAIR PARTS
DRIVE COMPONENTS ASSEMBLY**



Key No.	Description	Part No.
190	LEVER, ASSY TRACTION CLUTCH	761820
191	BEARING, FLANGE	53703
192	RING, RET E	11x16
193	SPRING, RETURN	53818
195	LEVER, SPRING	579937
196	SCREW, 1/4-20X .63	11871
198	NUT, 1/4-20	782585
210	DISC, ASSY	583163-853
211	ZERK, GREASE	583206
215	SHAFT, HEX TRACTION	583155
216	BEARING, TRUNION	85501
217	FLATWASHER	71074
221	RING, RETEX	73811
222	FLATWASHER	580969
223	BEARING, BALL	43846
224	KEY, SQUARE	2001022
225	PULLEY	580961
226	WASHER, WAVE	580965
227	FLATWASHER	712123
228	WASHER, SPLIT	71059
229	SCREW, 1/4-20X .75	302628
230	BEARING & RETAINER	334163
231	SCREW, 5/16-18X .50	780055
235	WASHER	579858
240	ASSEMBLY, HEX SHAFT	579897
243	RING, RETEX	783002
244	FLATWASHER	71074
245	BEARING, TRUNION	337029
246	WHEEL, ASSY FRICTION	313883
247	SCREW, 1/4-20X .63	11871
249	NUT, 1/4-20 HEXKEPS	303008
250	WASHER	579858
255	BEARING & RETAINER	334163
256	SCREW, 5/16-18X .50	780055
270	BEARING & RETAINER	334163
271	SCREW, 5/16-18X .50	780055
275	JACK, ASSY	761789
276	BEARING & RETAINER	334163
277	SCREW	780055
278	CHAIN ROLLER	579867

MODEL 629104x61A

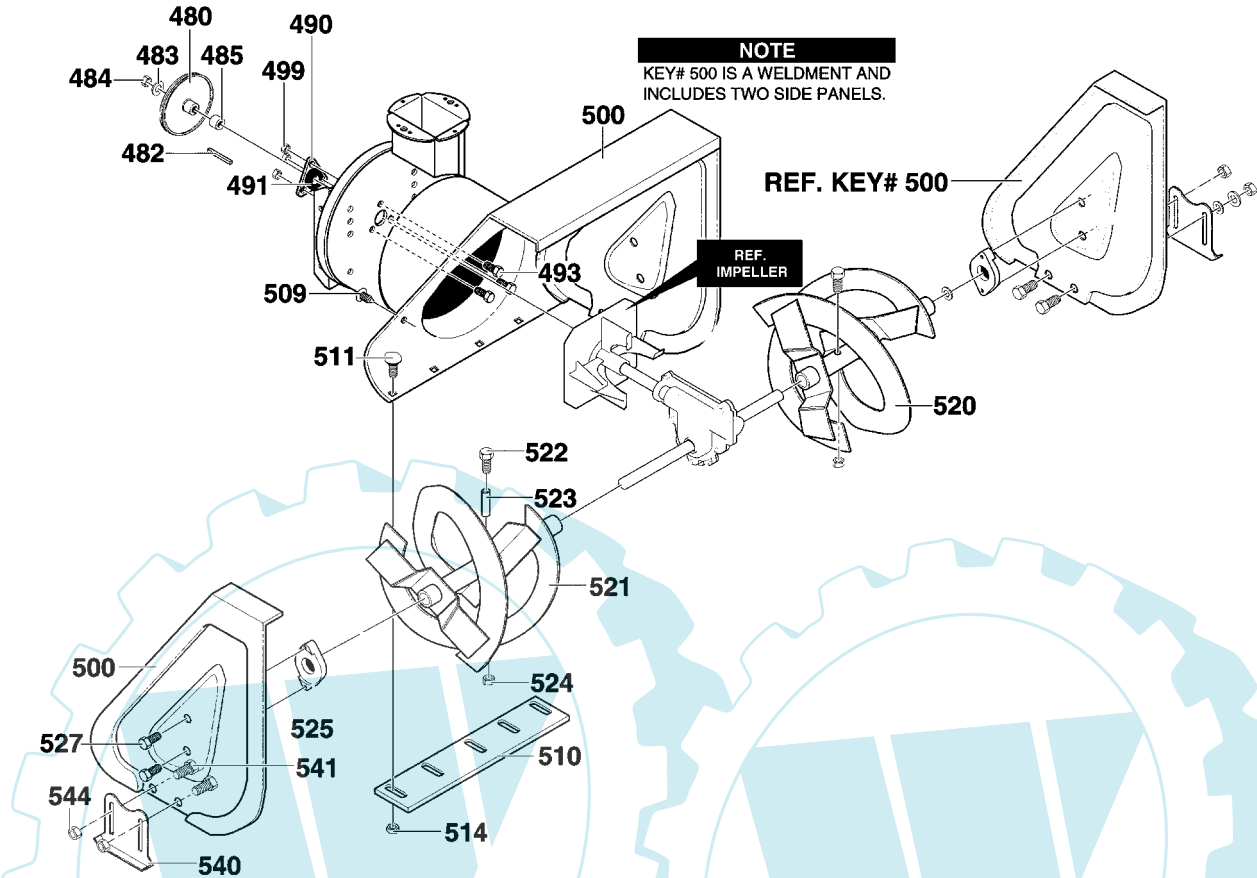
REPAIR PARTS
GEAR CASE ASSEMBLY



Key No.	Description	Part No.
300	CASE, GEAR RH	896
301	CASE, GEAR LH	895
303	SCREW, 5/16-24X1.00	910828
304	NUT, 5/16-24 HEXWDFLLK	71100
305	SCREW, 5/16-24X1.50	330434
306	PLUG, PIPE	313872
310	SEAL, OIL	780151
311	BEARING, SLEEVE	313870
312	WASHER, FLAT 1.00X1.54X.09	313871
313	SHAFT, AUGER	760528
314	GASKET, GEAR BOX	897
315	GEAR, WORM	53730
316	KEY, WOODRUFF #91	73905
320	RING, QUAD	313914
321	BEARING, FLANGE	583126
322	WASHER, FLAT .752X1.24X.093	48275
323	BEARING, ROLL	313828
324	WASHER, FLAT .752X1.24X.093	48275
326	KEY, HI-PRO #606	50795
327	GEAR, WORM	313862
330	BEARING	53731
340	IMPELLER	761692-853

MODEL 629104x61A

REPAIR PARTS
AUGER HOUSING ASSEMBLY

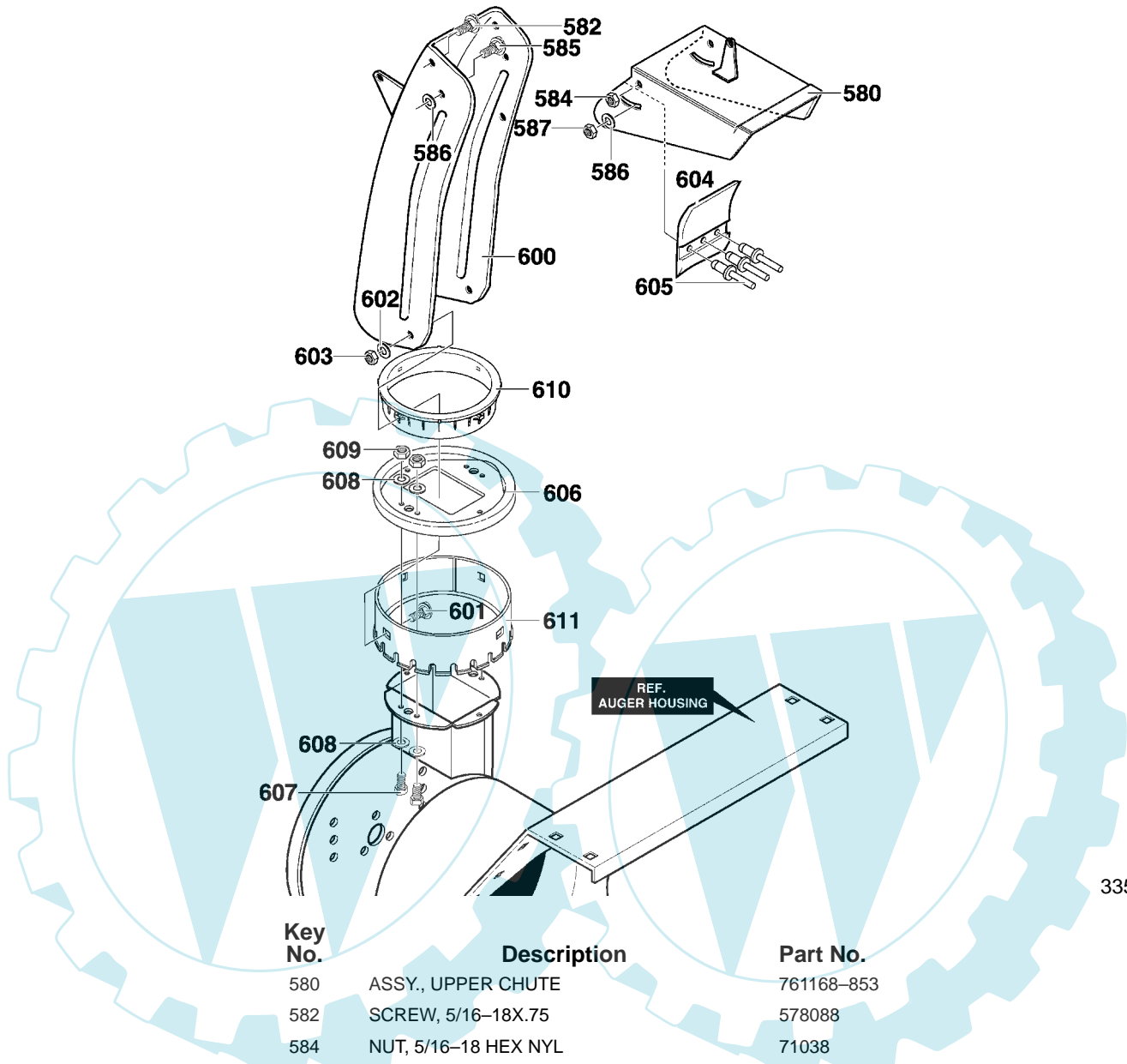


339974

Key No.	Description	Part No.	Key No.	Description	Part No.
480	PULLEY,	583146	511	BOLT, CARRIAGE	340720
482	KEY, SQUARE	2001022	514	NUT, HEX 5/16-18	710026
483	WASHER, FLAT	71074	520	AUGER, LEFT	760597-853
484	NUT, 1/2-20	712121	521	AUGER, RIGHT	760598-853
485	SPACER, SLEV	334514	522	SCREW, 1/4-20X1.75	9524
490	RETAINER, BALL	582960	523	SPACER, SLEEVE	3943
491	BEARING, BALL	43846	524	NUT, 1/4-20	782585
493	SCREW, 5/16-18X .75	313676	525	BEARING, AUGER SHAFT	53757
499	NUT, 5/16-18	710026	527	SCREW, 5/16-18X.75	782967
500	HOUSING, ASSY	761737-892	540	SKID, HEIGHT ADJUST	762377-853
509	PLUG, CHRISTMAS TREE	760040	541	BOLT, 5/16-18X .75	340720
510	SCRAPER BLADE	760655-853	544	NUT, 5/16-18	710026

MODEL 629104x61A

REPAIR PARTS
DISCHARGE CHUTE ASSEMBLY

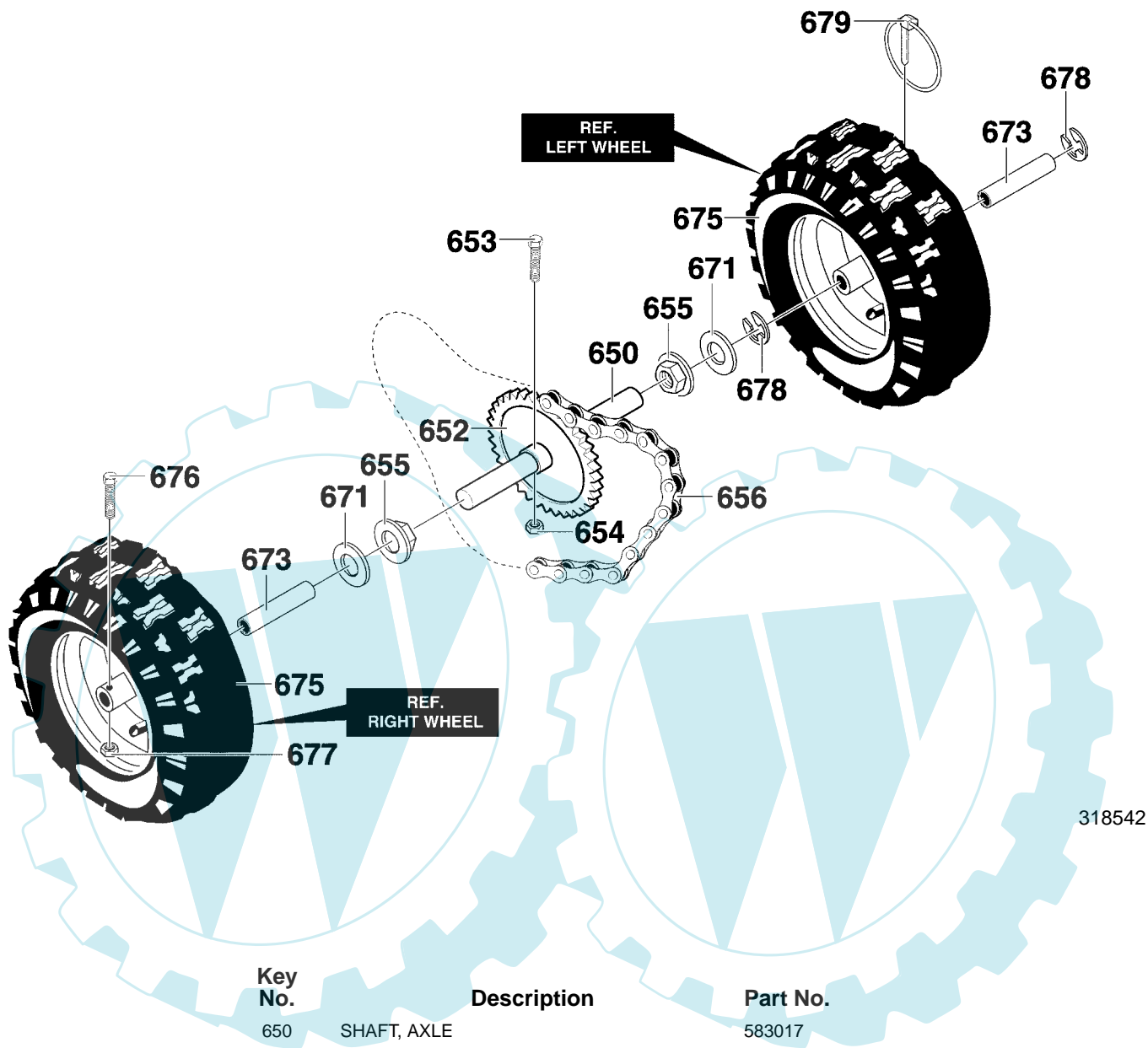


335094

Key No.	Description	Part No.
580	ASSY., UPPER CHUTE	761168-853
582	SCREW, 5/16-18X.75	578088
584	NUT, 5/16-18 HEX NYL	71038
585	SCREW, 5/16-18X.75	578088
586	WASHER	6711
587	NUT, 5/16-18 HEX NYL	71038
600	LOWER CHUTE ASSEMBLY	761329-853
601	BOLT, 5/16-18X1.00	586280
602	FLATWASHER	120393
603	NUT, 5/16-18	71038
604	RIVET	762322
605	FLAP	760987
606	COLLAR, CHUTE	585214-853
607	SCREW, 1/4-20X .75	302628
608	FLATWASHER	71067
609	NUT, 1/4-20	780029
610	RETAINER, RING INNER	337227
611	RETAINER, RING OUTER	585193

MODEL 629104x61A

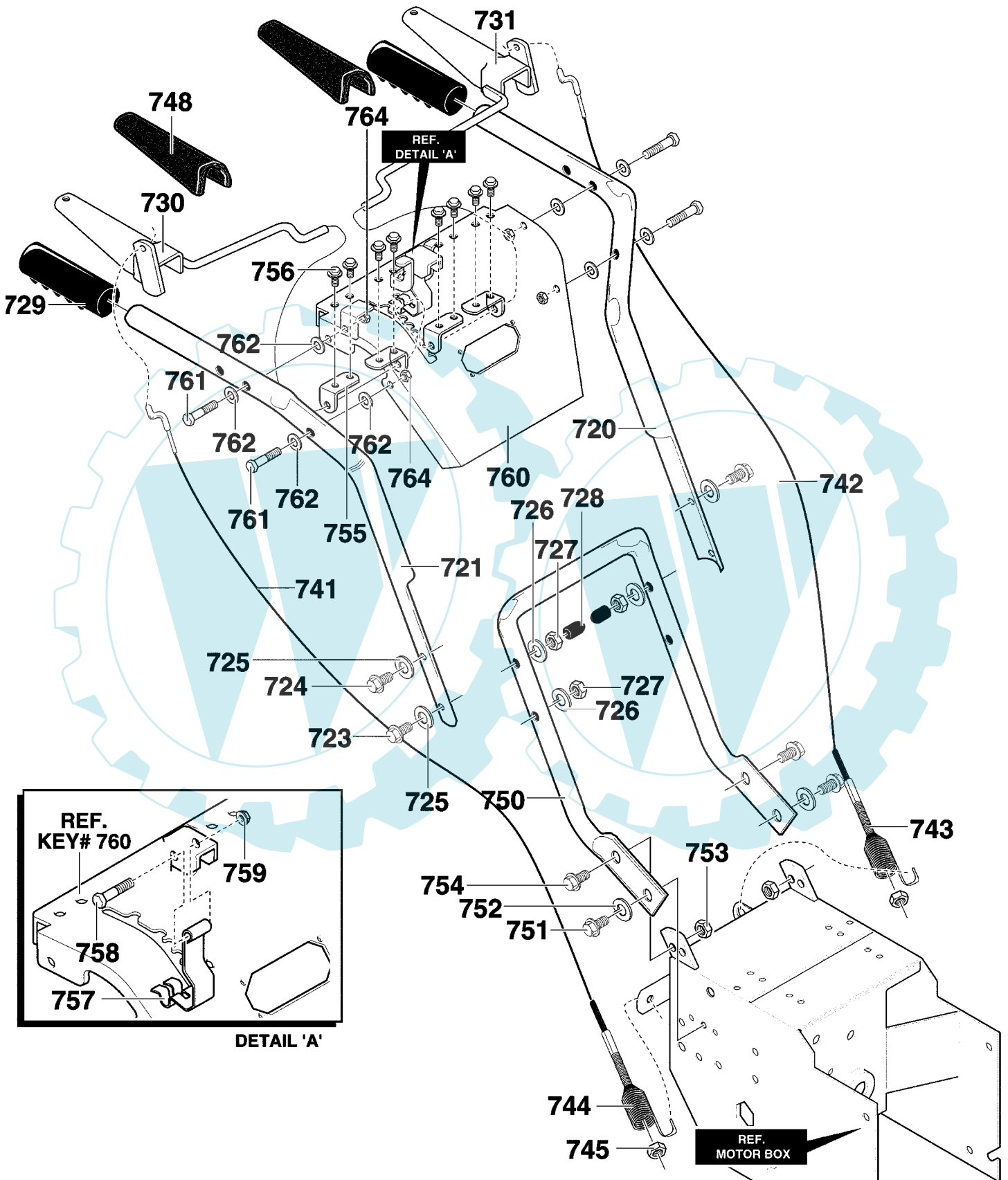
REPAIR PARTS
WHEELS ASSEMBLY



Key No.	Description	Part No.
650	SHAFT, AXLE	583017
652	SPRKT & HUB	583007
653	SCREW, 1/4-20X2.25	73839
654	NUT, 1/4-20 HEX NYLOCK	780029
655	BRNG, FL	581730
656	CHAIN, ROLLER	583013
671	FLATWASHER .765X1.12X.06	712120
673	BUSHING, WHEEL	585591
675	TIRE & RIM	580362
676	SCREW, 1/4-20X1.75 HH	577015
677	NUT, 1/4-20 HEX NYLOCK	780029
678	RING, RET	239
679	PIN, KLIK .25 X 1.38 DIA	73842

MODEL 629104x61A

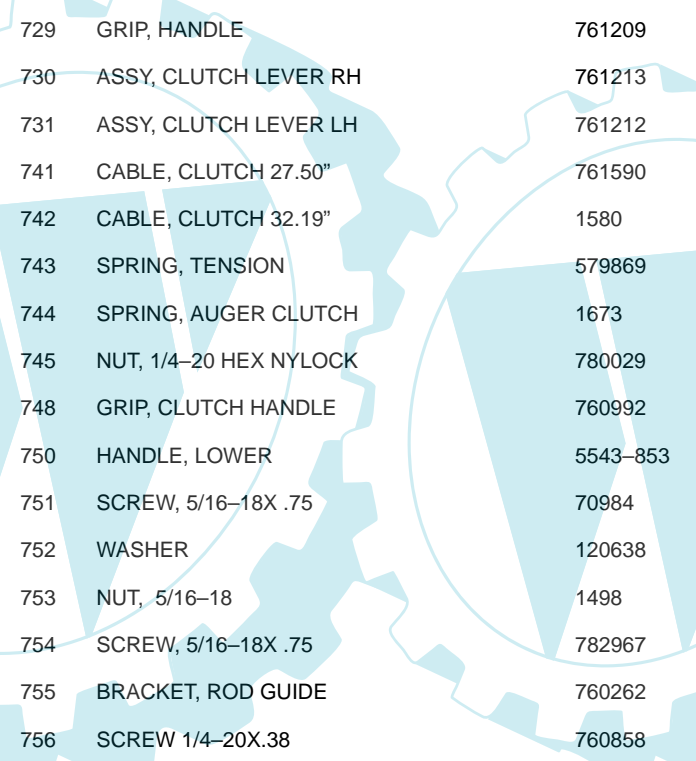
REPAIR PARTS
HANDLE ASSEMBLY



342622

MODEL 629104x61A

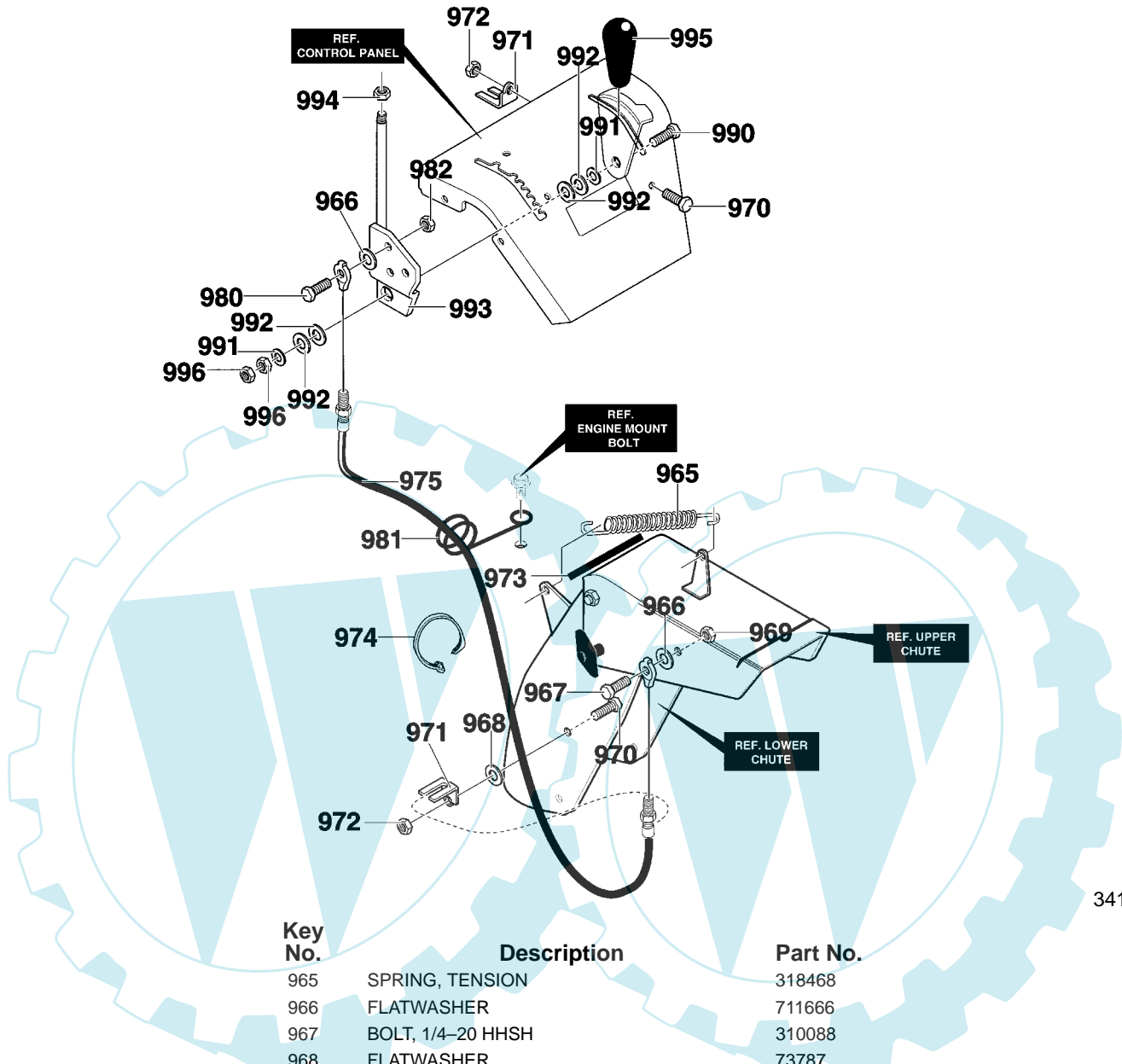
**REPAIR PARTS
HANDLE ASSEMBLY**



Key No.	Description	Part No.
720	HANDLE, UPPER LH	5113-853
721	HANDLE, UPPER RH	5115-853
723	SCREW, 3/8-16X2.00	71007
724	SCREW, 3/8-16X3.00	7288
725	WASHER, FLAT	71072
726	WASHER	18x31
727	NUT, 3/8-16	780072
728	STOP, PLASTIC	7289
729	GRIP, HANDLE	761209
730	ASSY, CLUTCH LEVER RH	761213
731	ASSY, CLUTCH LEVER LH	761212
741	CABLE, CLUTCH 27.50"	761590
742	CABLE, CLUTCH 32.19"	1580
743	SPRING, TENSION	579869
744	SPRING, AUGER CLUTCH	1673
745	NUT, 1/4-20 HEX NYLOCK	780029
748	GRIP, CLUTCH HANDLE	760992
750	HANDLE, LOWER	5543-853
751	SCREW, 5/16-18X .75	70984
752	WASHER	120638
753	NUT, 5/16-18	1498
754	SCREW, 5/16-18X .75	782967
755	BRACKET, ROD GUIDE	760262
756	SCREW 1/4-20X.38	760858
757	SPRING, CAM LOCK	760227
758	BOLT, HSH 5/16-18	45526
759	NUT, 5/16-18 HEX	71038
760	ASSY, PANEL	760293-892
761	SCREW 5/16-18X1.75	302900
762	FLATWASHER	120393
764	NUT 5/16-18 HEX	710026

MODEL 629104x61A

REPAIR PARTS
REMOTE CHUTE ASSEMBLY

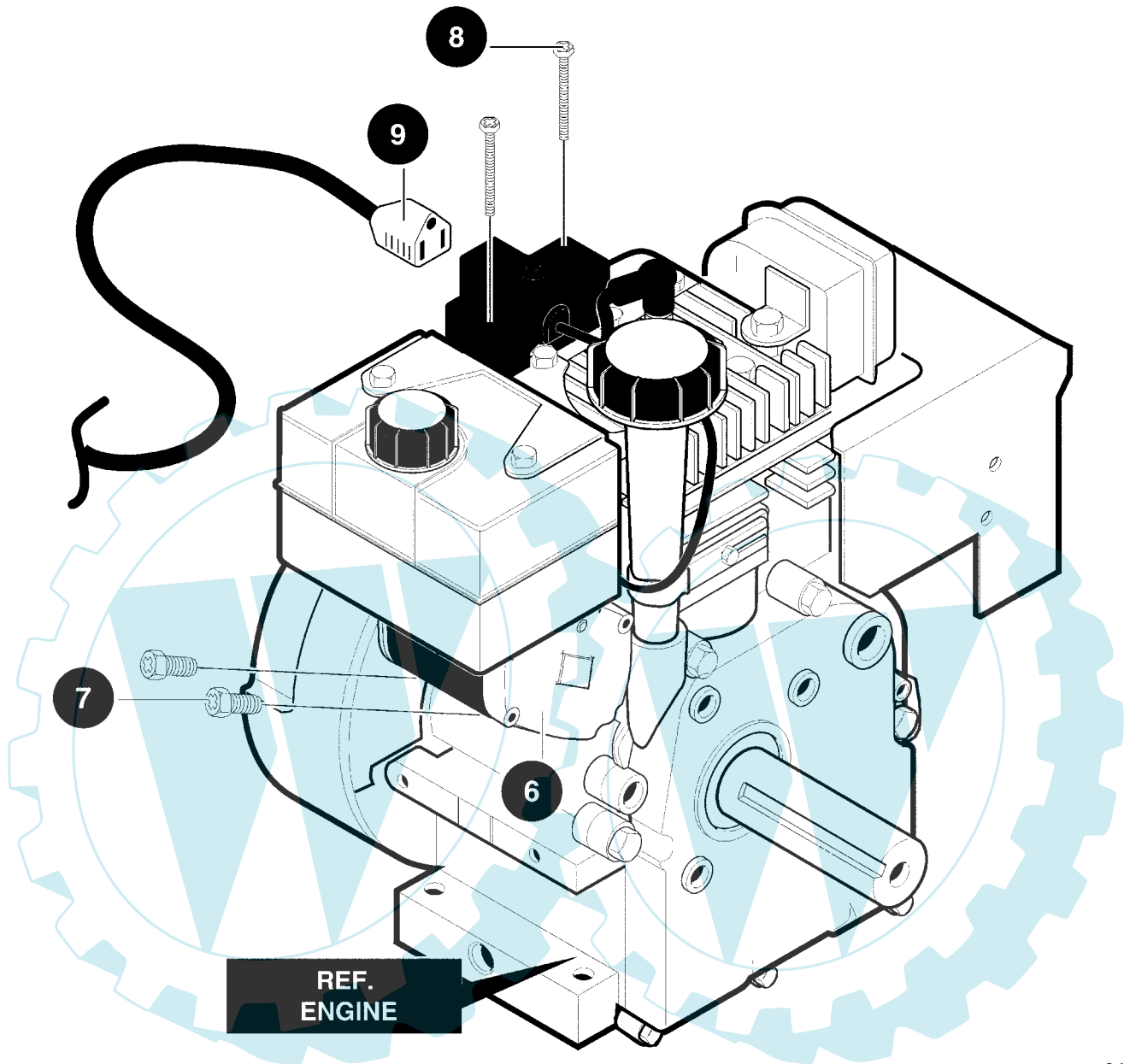


341832

Key No.	Description	Part No.
965	SPRING, TENSION	318468
966	FLATWASHER	711666
967	BOLT, 1/4-20 HSSH	310088
968	FLATWASHER	73787
969	NUT, 1/4-20	302635
970	SCREW, 5/16-18X.75	313676
971	BRACKET, CABLE CHUTE	780066
972	NUT, 5/16-18	1498
973	TRIM	55021
974	CABLE TIE	760113
975	CABLE, CHUTE CONTROL RH	761131
980	BOLT, 1/4-20 HSSH	310088
981	WIRE FORM REMOTE CHUTE	780220
982	NUT, 1/4-20	302635
990	SCREW 3/8-16X1.75	4058
991	FLATWASHER	71072
992	WASHER, SPRING	4051
993	HANDLE ASSY., SPEED CONTROL	85031
994	NUT, 3/8-16	780072
995	LEVER, HANDLE	306689
996	NUT, 3/8-16	71046

MODEL 629104x61A

REPAIR PARTS
ELECTRIC START ASSEMBLY

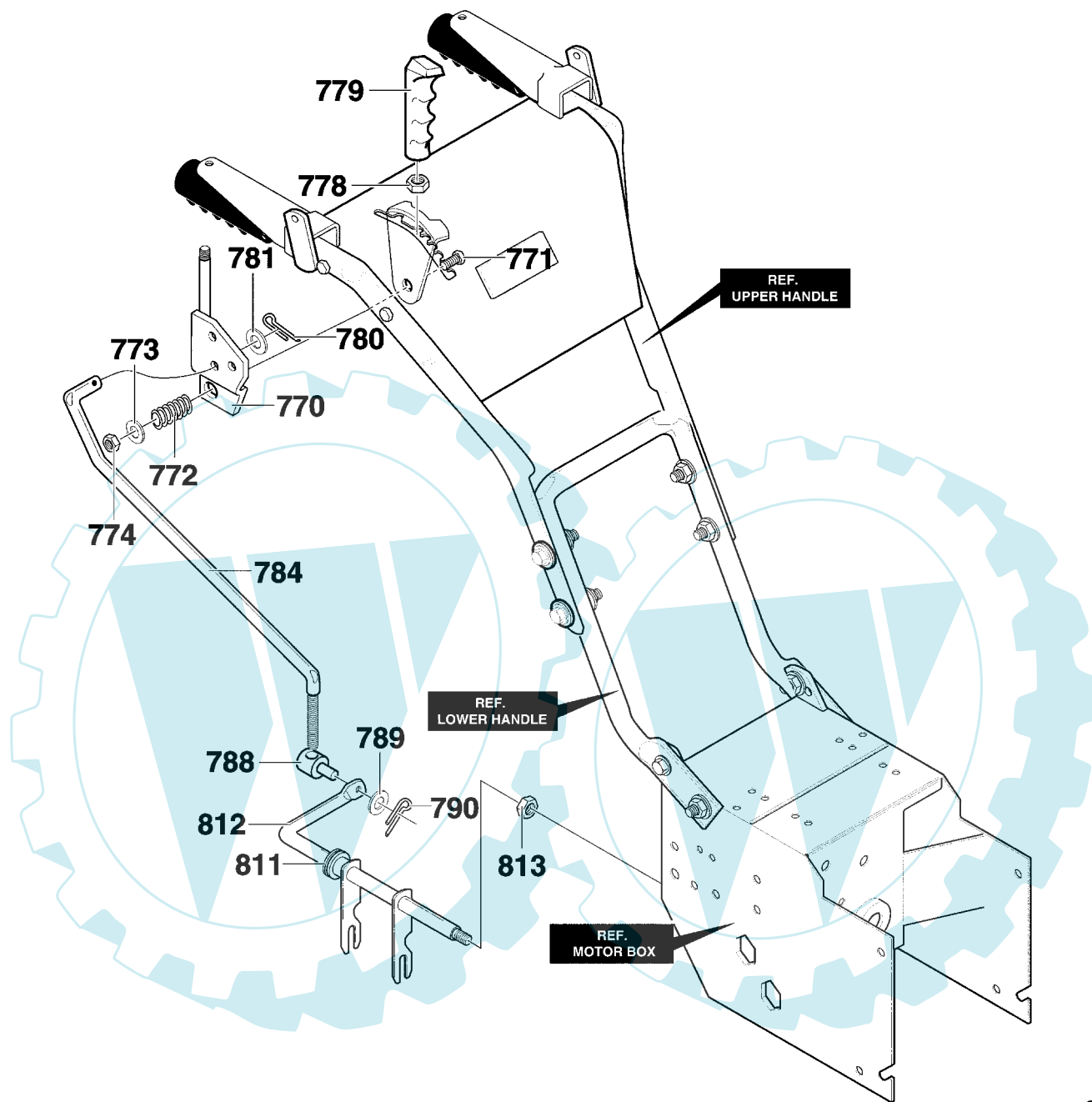


319051

Key No.	Description	Part No.
6	MOTOR, STARTER	761290
7	SCREW	6216
8	SCREW	6217
9	CORD, STARTER	761332

MODEL 629104x61A

REPAIR PARTS
SHIFT YOKE ASSEMBLY

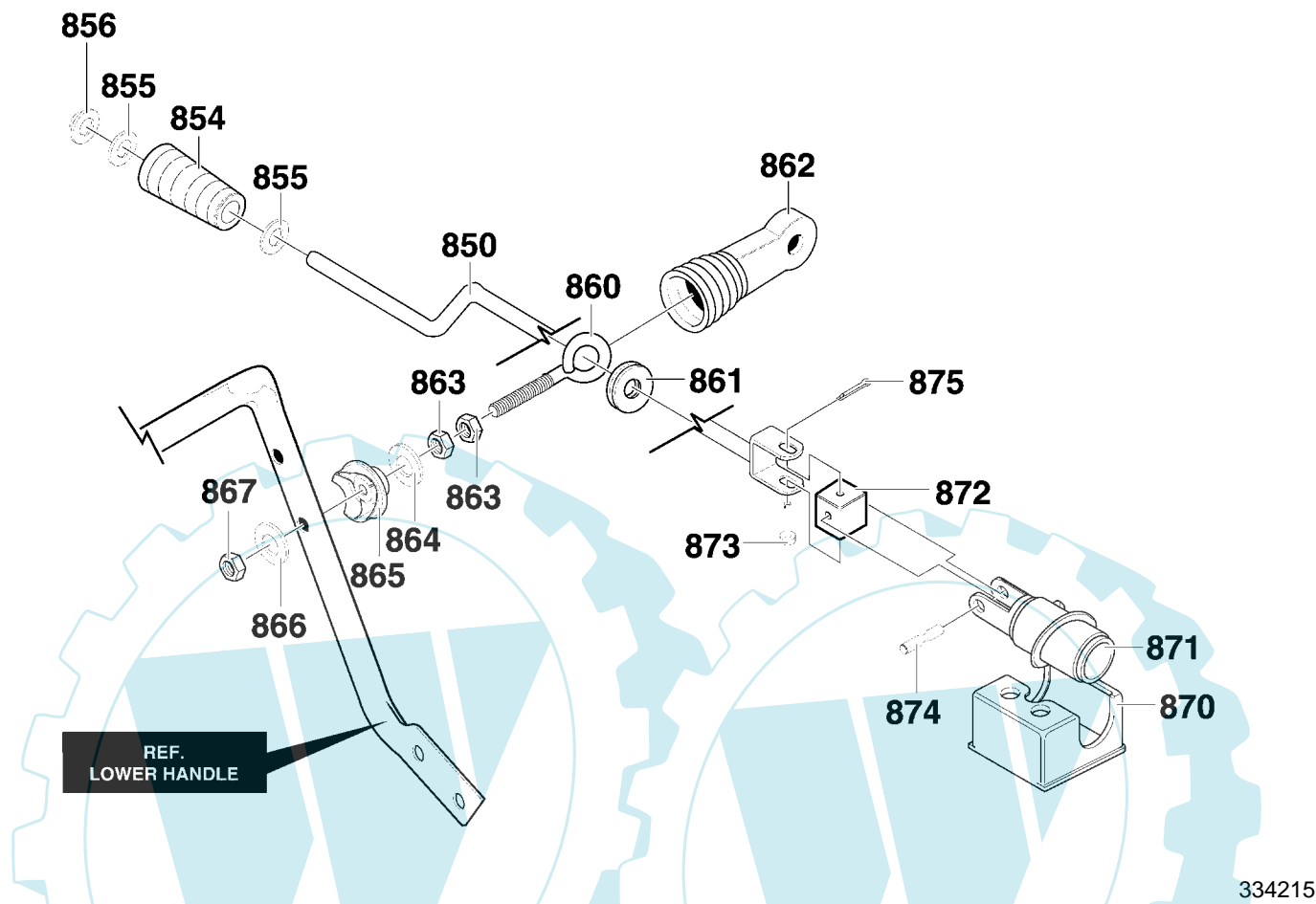


342622

Key No.	Description	Part No.	Key No.	Description	Part No.
770	HANDLE ASSY SPD CTRL	85031	781	FLATWASHER	120393
771	SCREW 3/8-16X2.00	71007	784	ROD, SPEED CONTROL	330635
772	SPRING	50786	788	NUT, TRUNNION	584593
773	FLATWASHER	71072	789	FLATWASHER	20393
774	NUT, 3/8-16 HEXNYL	71046	790	COTTER PIN	30x20
778	NUT, 3/8-16 REGHEX	780072	811	BEARING, FLANGE	579944
779	HANDLE 3/8-16	306689	812	ROD, ASSY YOKE	337436
780	PIN, COTTER	30x20	813	NUT, 3/8-16 HXCTRLK	71111

MODEL 629104x61A

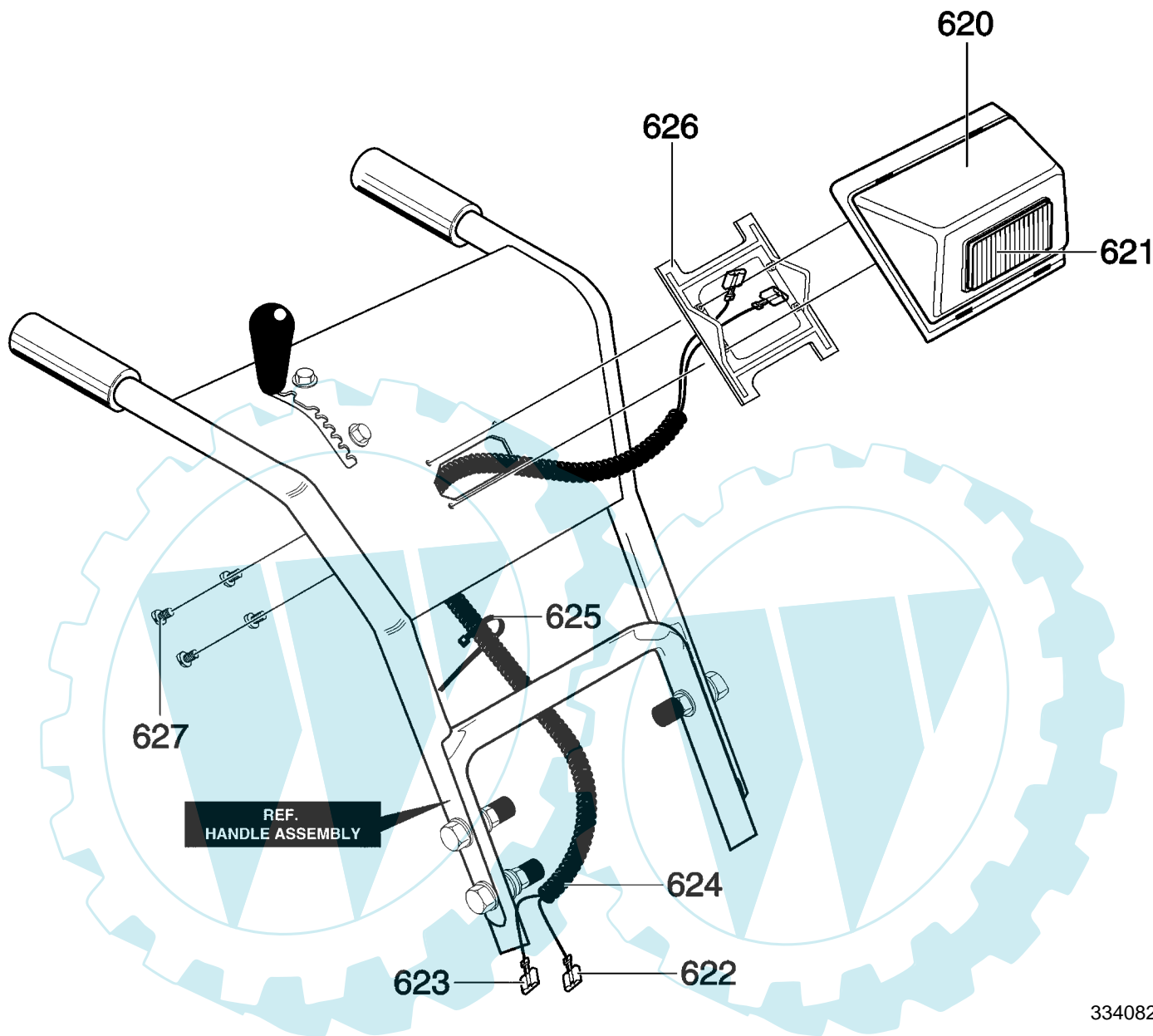
REPAIR PARTS
CHUTE ROD



Key No.	Description	Part No.
850	CRANK, ASSY CHUTE	585426
854	HANDLE, CHUTE CRANK	307399
855	WASHER	309312
856	E RING	578159
860	EYE BOLT 3/8-16X6.00	581618
861	GROMMET, EYE BOLT	148
862	BOOT	308145
863	NUT, 3/8-16 HEXJAM	124829
864	WASHER	71072
865	ADAPTER, BOOT TO HANDLE	309344
866	WASHER	71072
867	NUT, 3/8-16 HEX	71046
870	BRACKET, WORM	585195
871	WORM, GEAR CHUTE ROTATION	585196
872	BLOCK, UNIVERSAL PIVOT	578063
873	CLEVIS PIN	578309
874	PIN, UNIVERSAL JOINT	578060
875	COTTER PIN	579493

MODEL 629104x61A

**REPAIR PARTS
HEADLIGHT**

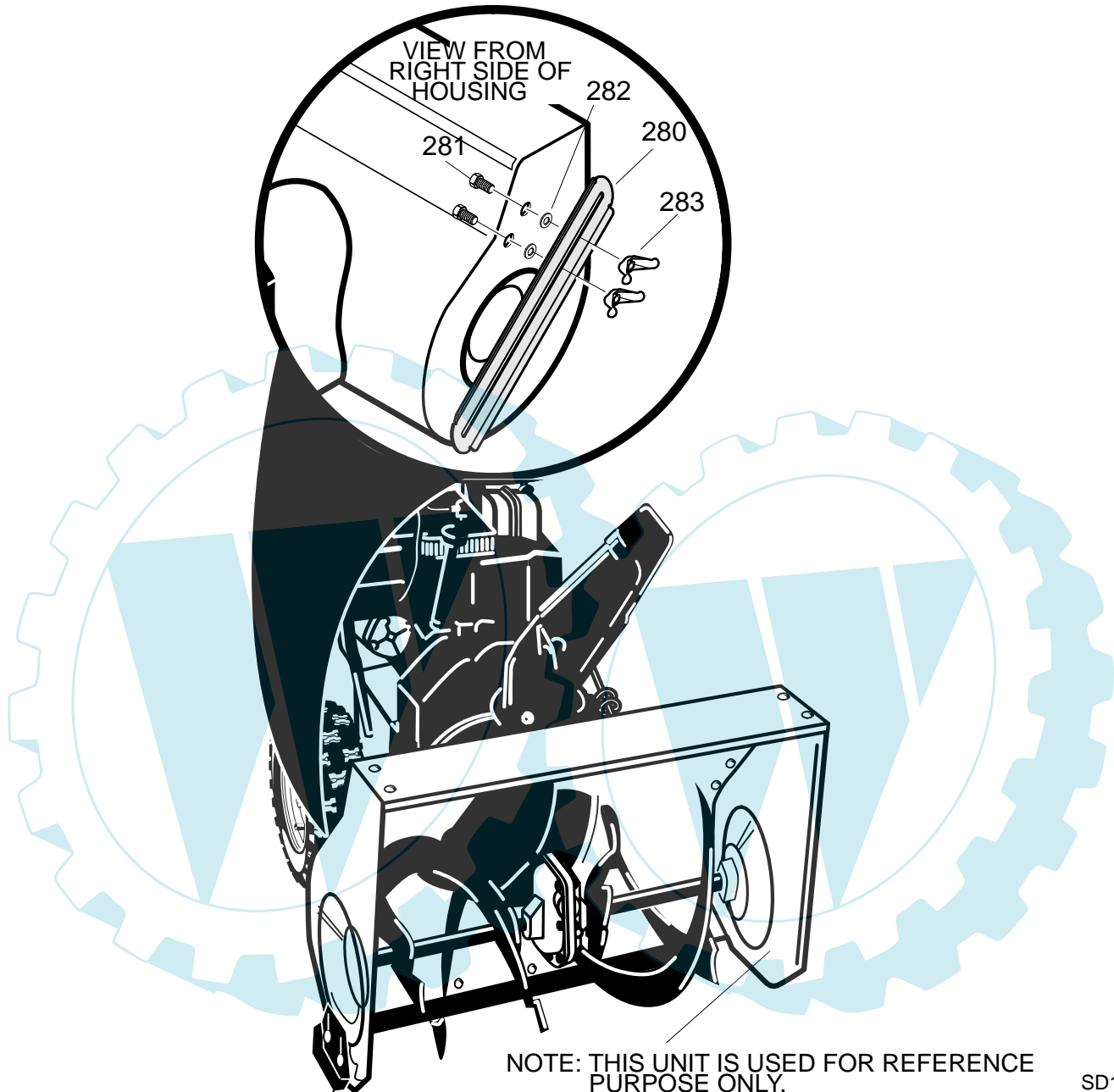


334082

Key No.	Description	Part No.
620	HEADLAMP HOUSING	584727
621	HEADLIGHT ASSY	581575
622	LIGHT, BEZEL	305743
623	WIRE, HEADLIGHT	305740
624	CONDUIT, SPLIT	6636
625	CABLE TIE	57444
626	BRACKET, HEADLAMP	584728
627	SCREW	316042

MODEL 629104x61A

REPAIR PARTS
DRIFT CUTTER ASSEMBLY



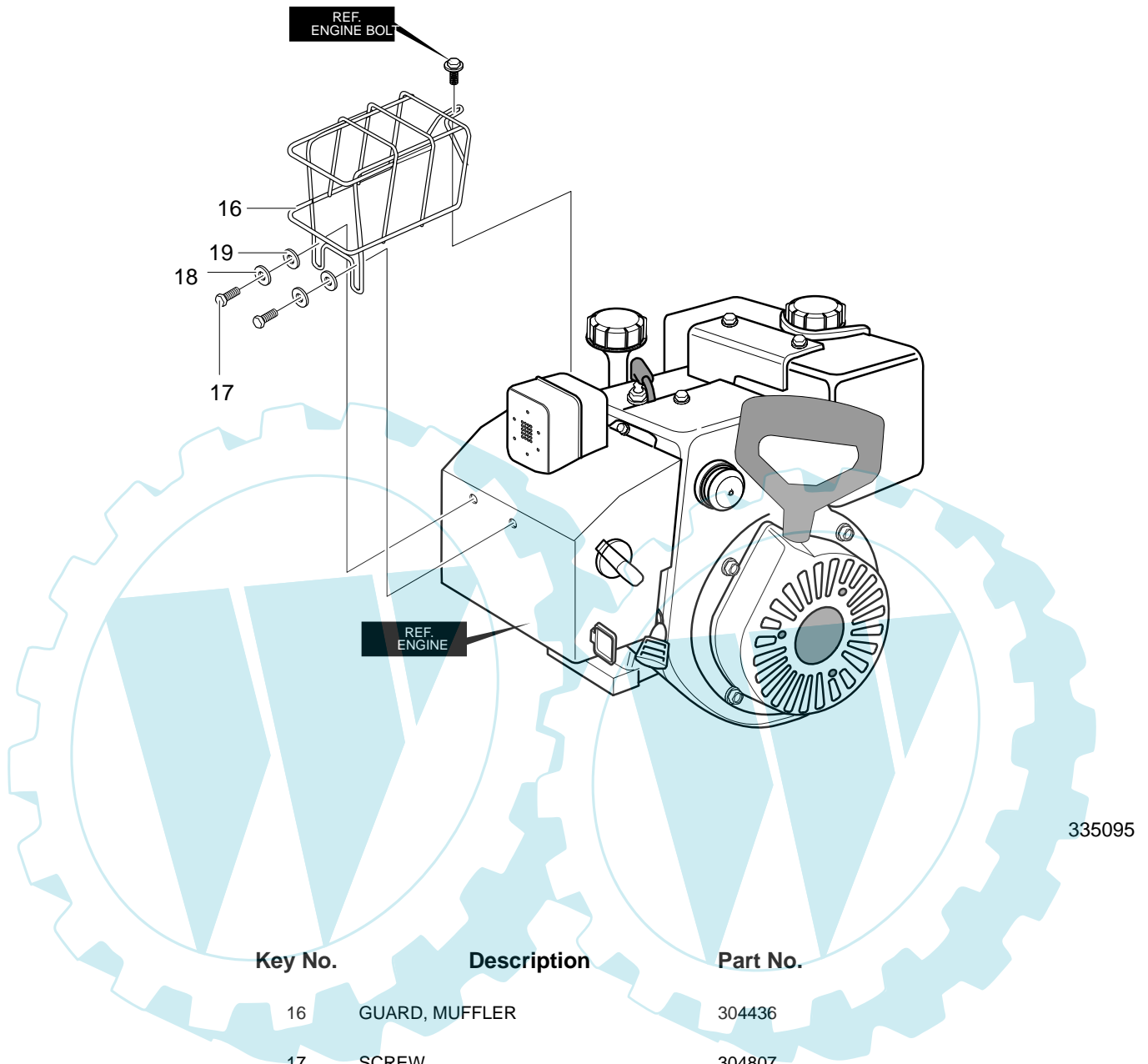
NOTE: THIS UNIT IS USED FOR REFERENCE PURPOSE ONLY.

SD1027

Key No.	Description	Part No.
280	BAR, DRIFT CUTTER	762348-853
281	BOLT, 5/16-18X0.75	340720
282	WASHER	12021
283	WINGNUT	711604

MODEL 629104x61A

REPAIR PARTS MUFFLER GUARD



Key No.	Description	Part No.
16	GUARD, MUFFLER	304436
17	SCREW	304807
18	WASHER	304810
19	WASHER	304809