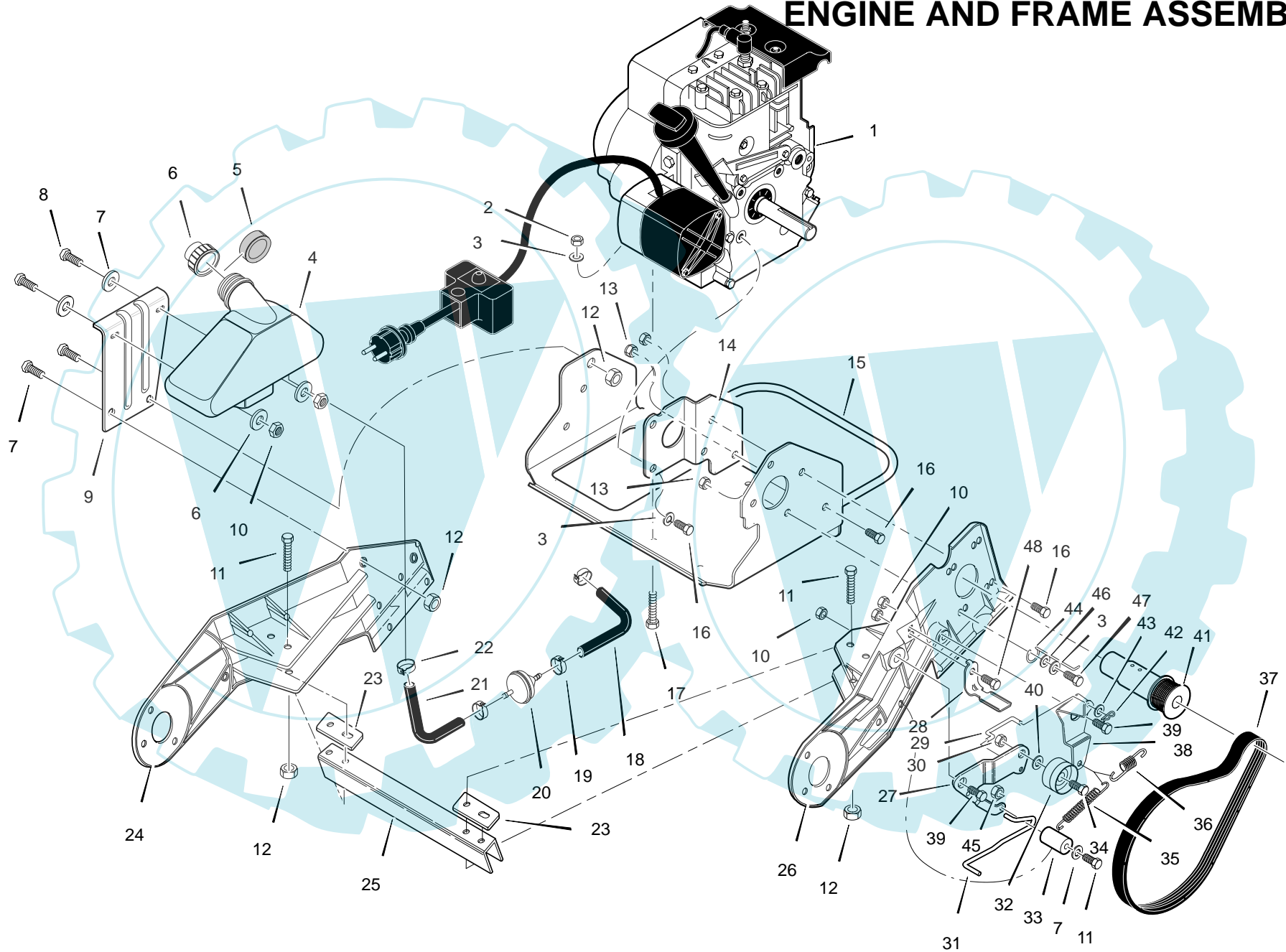


MODEL 621540x85NA

REPAIR PARTS  
ENGINE AND FRAME ASSEMBLY



# MODEL 621540x85NA

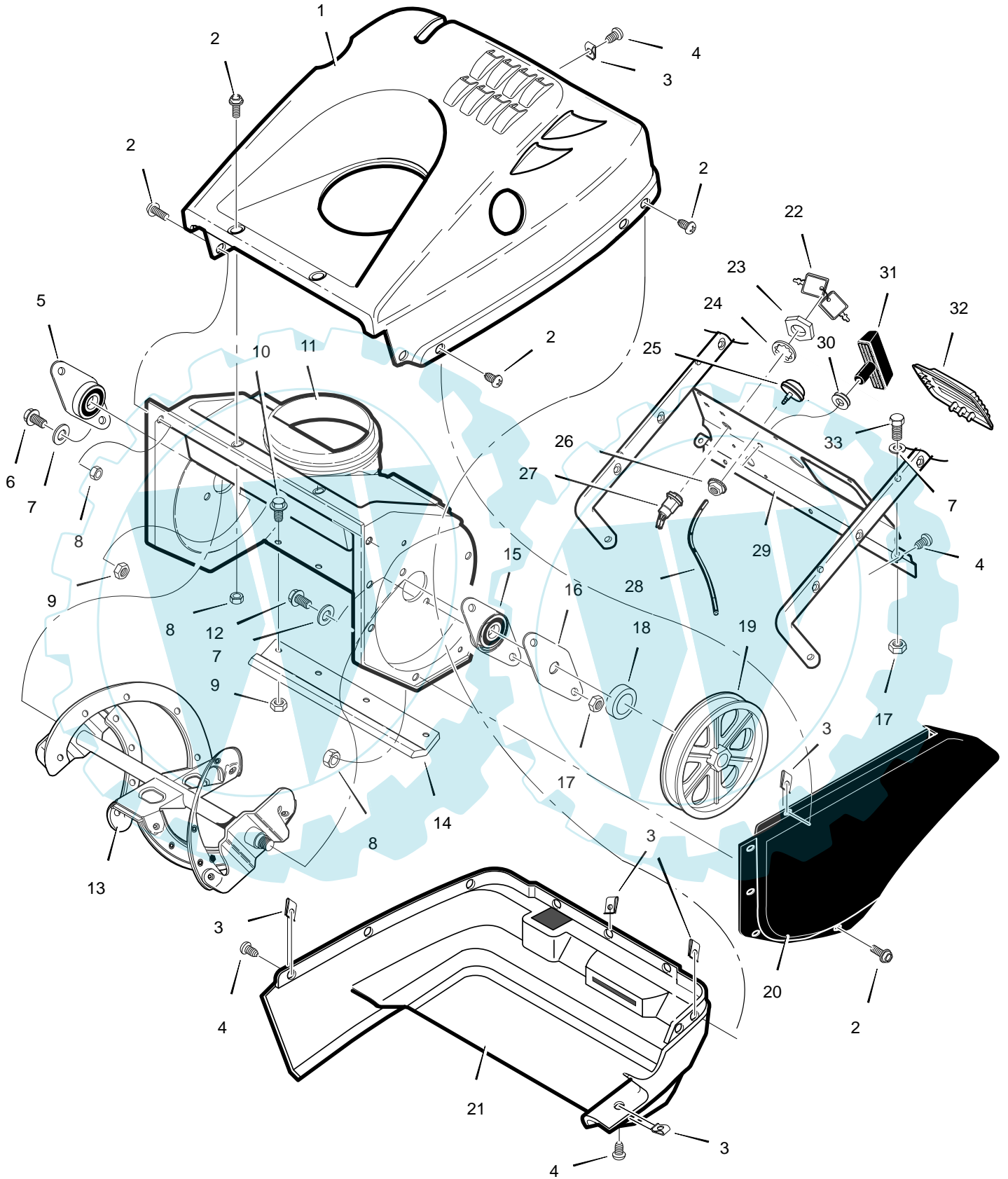
# REPAIR PARTS ENGINE AND FRAME ASSEMBLY

Key No.	Part No.	Description
1	_____	ENGINE
2	71037	NUT, 5/16-18
3	71060	WASHER, SPTLK
4	333739	TANK, FUEL
5	762224	RING, FOAM FURL TANK
6	1501726	CAP, FUEL
7	71067	WASHER, FLAT
8	302628	SCREW, 1/4-20 x 0.75
9	333749E701	BRACKET, FUEL TANK
10	782585	NUT, 1/4-20 REGHEXCTRLK
11	180044	SCREW, 1/4-20 x 2.00
12	71034	NUT, 1/4-20 REGHEX
13	71391	NUT, 5/16-18 HEXCTRLK
14	1501703E701	BRACKET, ENGINE
15	1501744E701	CRADLE, WELDMENT
16	180077	BOLT, 5/16-18 x 0.75
17	1X81	BOLT, ENGINE MOUNT
18	335906	TUBING, FUEL LINE 6 IN.
19	323387	CLAMP, FUEL LINE
20	1501729	FILTER, FUEL LINE
21	323363	TUBING, FUEL LINE 8 IN.
22	47345	CLAMP, HOSE SCREW
23	335351	PLATE, BOLTING SUPPORT
24	1501700E701	FRAME, RH. SIDE STEEL SUPT.

Key No.	Part No.	Description
25	333987	CHANNEL, FRAME SUPPORT
26	333767	FRAME, LH. SIDE STEEL SUPT.
27	320077	LF ARM, IDLER BRACKET
28	333970	LF PAD, BRAKE
29	313436	ROD, CLUTCH LINKAGE
30	590	NUT, 3/8-16 JAM CTRLK
31	1501009	WIRE, BRAKE
32	48924	PULLEY, IDLER
33	1501010	ROLLER, PINCH
34	302637	SCREW, 3/8-16 x 1.50
35	313473	SPRING, EXTENSION
36	313471	SPRING, EXTENSION
37	37X130	BELT
38	313444	ARM, IDLER PIVOT
39	333594	BOLT
40	301188	WASHER, FLAT
41	1501702	PULLEY, ENGINE
42	121223	PIN, COTTER
43	414106	WASHER, FLAT #8
44	334079	GUIDE, BELT
45	73826	NUT, 1/4-20
46	71071	WASHER
47	710312	SCREW
48	579052	SCREW, 1/4-20 x 0.63

MODEL 621540x85NA

REPAIR PARTS  
AUGER AND CONTROL ASSEMBLY



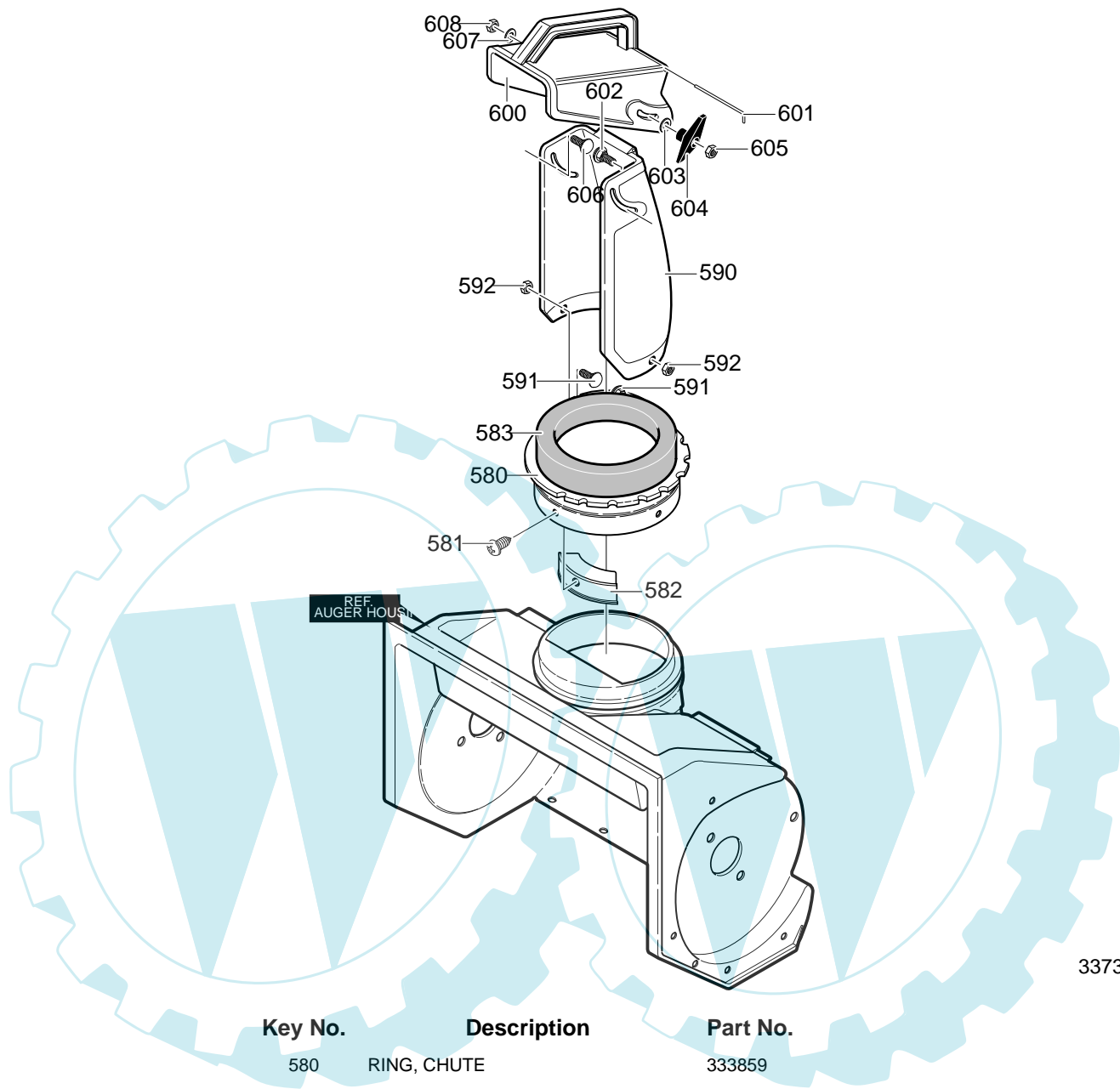
**MODEL 621540x85NA**

**REPAIR PARTS  
AUGER AND CONTROL ASSEMBLY**

Key No.	Part No.	Description	Key No.	Part No.	Description
1	1501704	COVER, TOP	18	578101	SPACER, SLEEVE
2	12342	SCREW, #10-24 x 0.50	19	333446	PULLEY
3	578109	NUT, 1/4-10 SPEED J-TYPE	20	340089	COVER, BELT
4	313685	SCREW, 1/4-14 x 0.75	21	1501705	COVER, BOTTOM
5	577023	FLANGE BEARING	22	49643	2 KEYS & RING ASSY.
6	710263	SCREW, 1/4-20 x 1.00	23	300193	NUT, 5/8-32
7	71067	WASHER, FLAT	24	313683	WASHER
8	312300	NUT, #10-24 REGHEX CTRLK	25	1501723	BULB, PRIMER
9	15x143	NUT, 1/4-20 REGHEX CTRLK	26	271172	NUT, 1/-20 REGHEX KEPS
10	302628	SCREW, 1/4-20 x 0.75	27	56992	SWITCH, IGNITION 45 DEG.
11	340091	AUGRT HOUSING ASSY.	28	335507	HOSE, PRIMER 9.5"
12	579052	SCREW, 1/4-20 x 0.63	29	1501706	PANEL, CONTROL
13	327072	AUGER ASSY., COMP.	30	57587	GROMMET & WASHER
14	55323	BLADE, SCRAPER	31	333643	GRIP, RECOIL START
15	583459	SF BEARING & PLATE ASSY.	32	1501699	PANEL, ACCESS SPARK PLG
16	334287	LT PLATE, RETAIKNER BRNG	33	313674	SCREW, 1/4-20 x 1.25
17	73826	NUT, 1/4-20 REXHEX CTRLK			

MODEL 621540x85NA

REPAIR PARTS  
DISCHARGE CHUTE

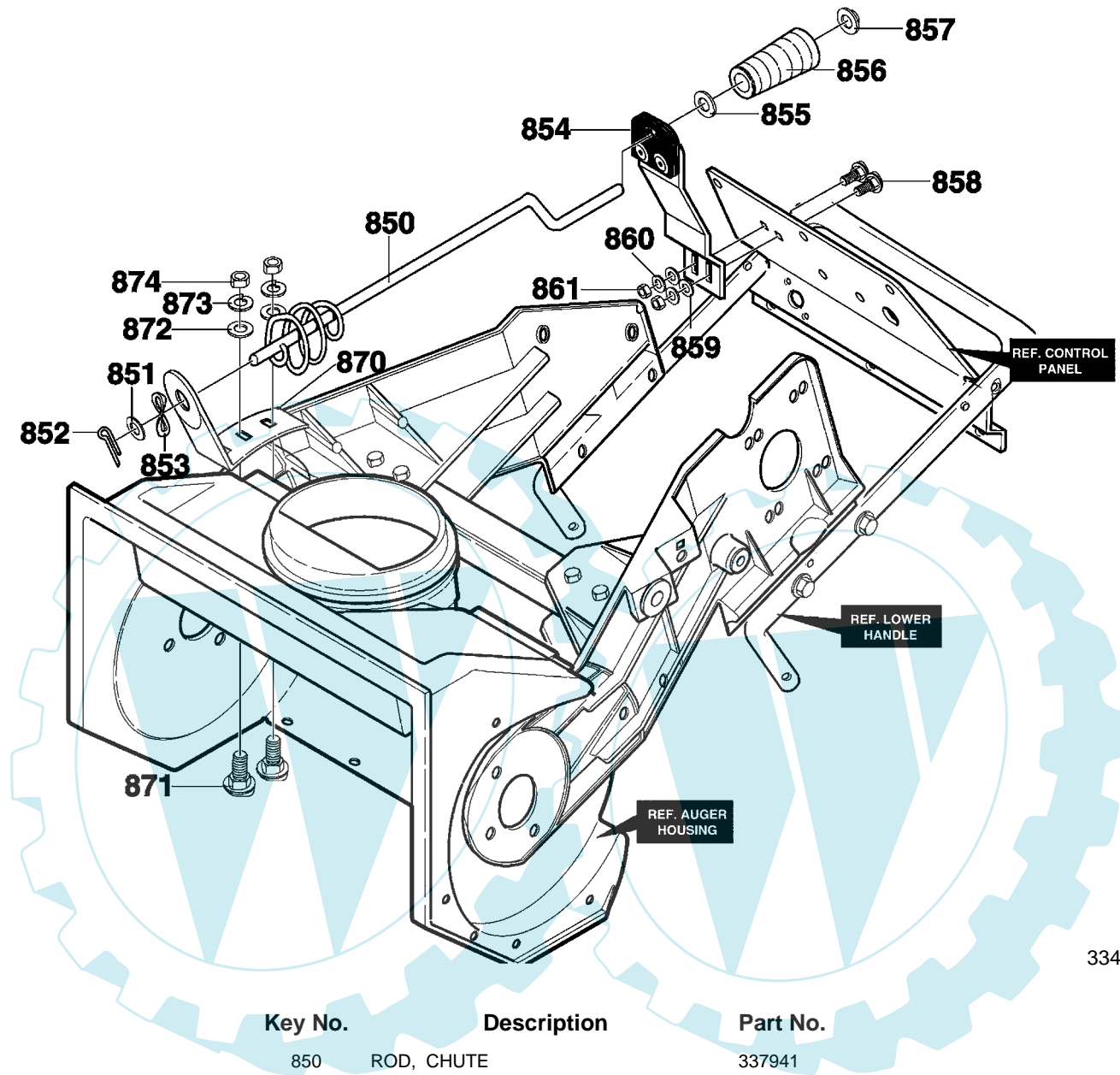


337341

Key No.	Description	Part No.
580	RING, CHUTE	333859
581	SCREW, #10X.50	711752
582	GUIDE, CHUTE	577021
583	DONUT FOAM	762173
590	CHUTE ASSY.	337104
591	SCREW 1/4-20X.50	302628
592	NUT, 1/4-20	15x143
601	WIRE, CHUTE HINGE	310562
602	BOLT, 5/16-18X1.25 CARR.	302843
603	WASHER, FLAT .349X.69X.066	71071
604	KNOB, T	57171
605	NUT, 5/16-18	71037
606	SCREW, 5/16-18X.75	578088
607	WASHER, FLAT .349X.69X.066	71071
608	NUT, 5/16-18	71391

MODEL 621540x85NA

REPAIR PARTS  
CHUTE ROD ASSEMBLY

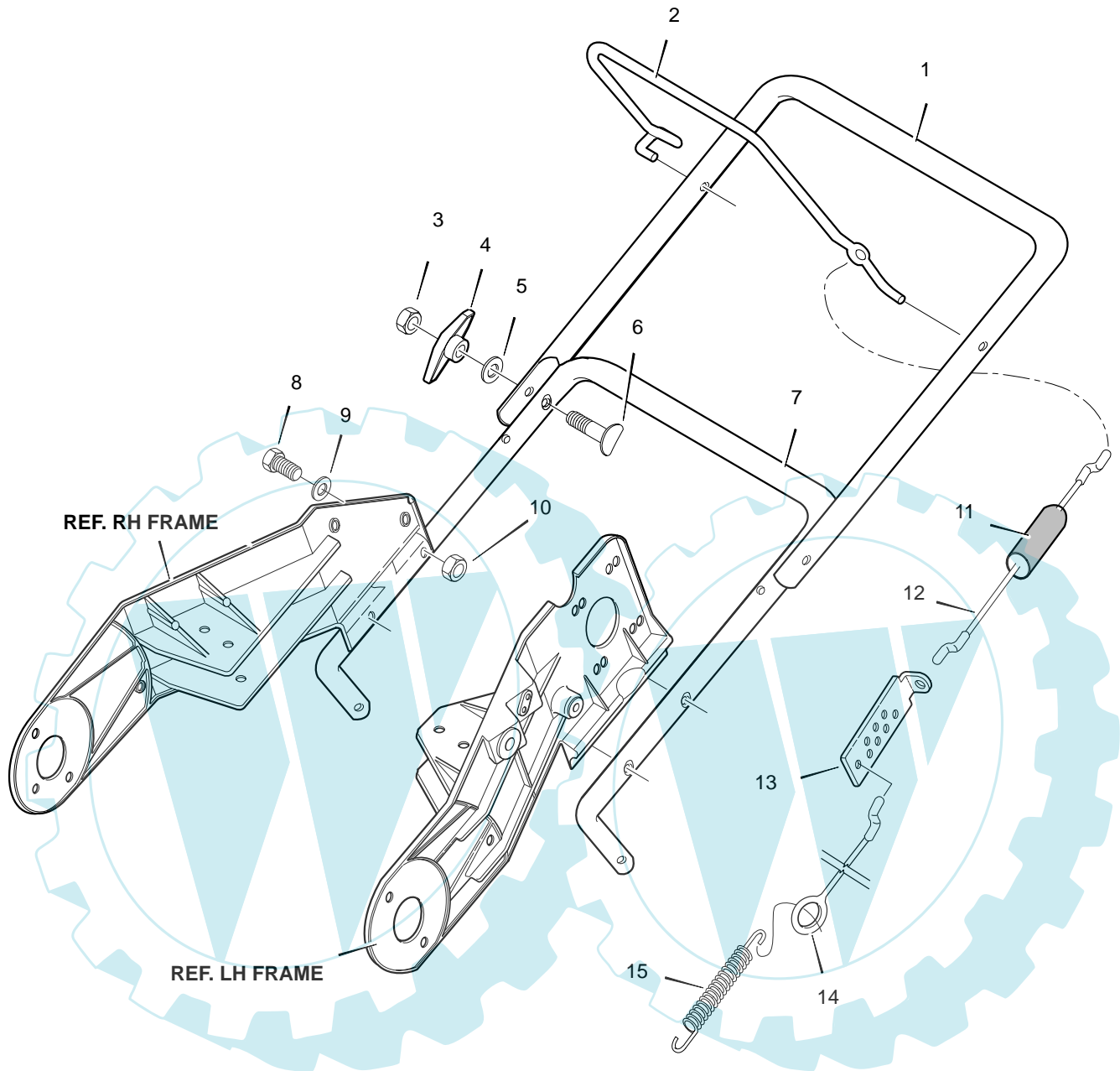


334313

Key No.	Description	Part No.
850	ROD, CHUTE	337941
851	WASHER, FLAT .406X.81X.066	71072
852	PIN, COTTER	71082
853	WASHER CURVED	313431
854	ASSY, CHUTE CRANK	335264
855	WASHER, FLAT .406X.81X.066	71072
856	KNOB, SLEEVE	57082
857	NUT, PUSH	331532
858	BOLT, 1/4-20X.63 CARR.	3809
859	WASHER, FLAT .344X.69X.065	120393
860	WASHER, .31X.58X.08	71060
861	NUT, 1/4-20 REGHEX	71034
870	BRKT, CHUTE ROTATE	333946E701
871	BOLT, 5/16-18X.75 CARR	340720
872	WASHER, FLAT .349X.69X.066	71071
873	WASHER, SPTLK .31X.58X.08	71060
874	NUT, 5/16-18 REGHEX	71037

**MODEL 621540x85NA**

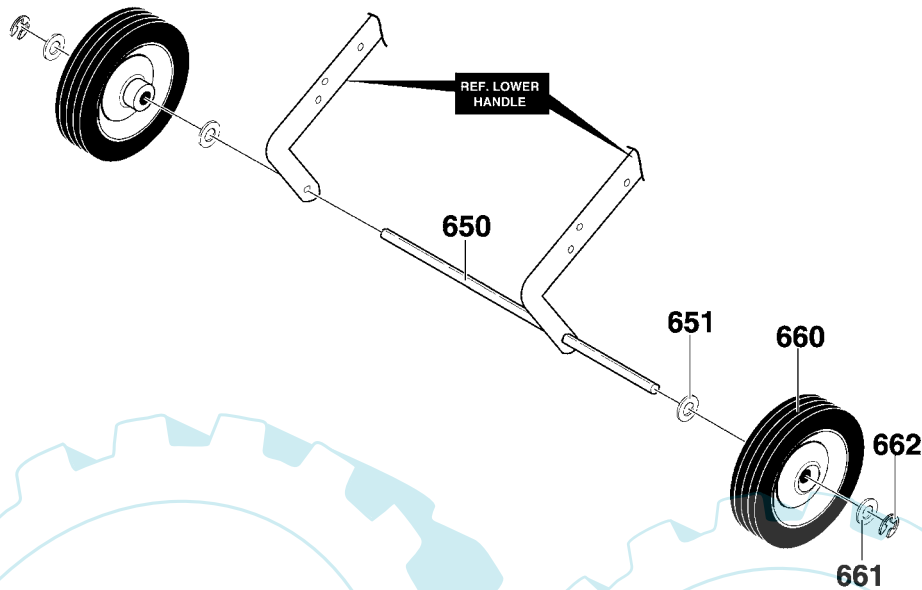
**REPAIR PARTS  
HANDLE ASSEMBLY**



Key No.	Part No.	Description	Key No.	Part No.	Description
1	333919E701	HANDLE, UPPER	10	73826	NUT, 1/4-20 HEXCTRNL
2	313308E701	BAIL, CONTROL	11	308146	BOOT, CLUTCH SPRING
3	71037	NUT, 5/16-18 REGHEX	12	313449	CABLE, UPPER CONTROL
4	57171	T-KNOB, PLASTIC	13	313441	BRACKET, CABLE ADJUST
5	311936	WASHER, FORM	14	313448	CABLE, LOWER CONTROL
6	337584	BOLT, 5/16-18 x 2.00	15	313471	SPRING, EXTENSION
7	333909	HANDLE, LOWER			
8	313674	SCREW, 1/4-20 x 1.25			
9	71067	WASHER, FLAT			

**MODEL 621540x85NA**

**REPAIR PARTS  
WHEELS**



314097

**Key No.**

**Description**

650	AXLE SHAFT
651	WASHER, FLAT .391X1.00X1.25
660	TIRE & RIM
661	WASHER, FLAT .391X1.00X.125
662	RING, RET E

**Part No.**

313678
583409
760713
583409
577598

**DECALS**

**PART NO.**

**DESCRIPTION**

48X5385	DECAL, EPA 5HP, MASS
48X5388	DECAL, ELECTRIC START
48X5387	DECAL, DASH
43X5304	DECAL, STIGA
43X5303	DECAL, SNOW BREEZE L&R
586393	DECAL, MUFFLER HOT
48X5388	DECAL, ELECTRIC START
337610	DECAL, DANGER CHUTE –HAND
337611	DECAL, DANGER AUGER –FOOT
337524	DECAL, AUGER CONTROL BAR
48X5386	DECAL, NOISE 104 dB
761663	DECAL, HEARING PROTECTION