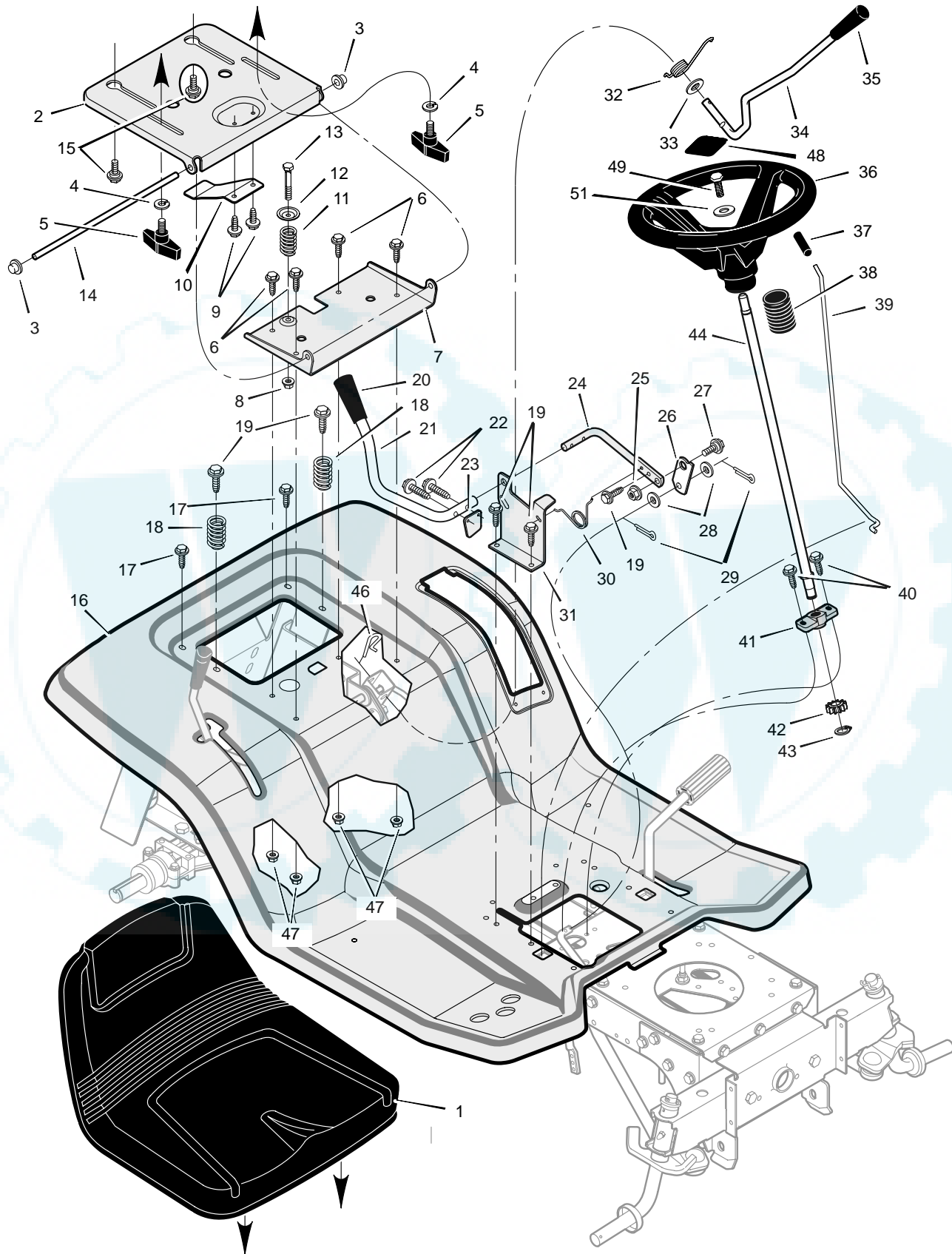


# MODEL 46103x50B

# REPAIR PARTS SEAT DECK



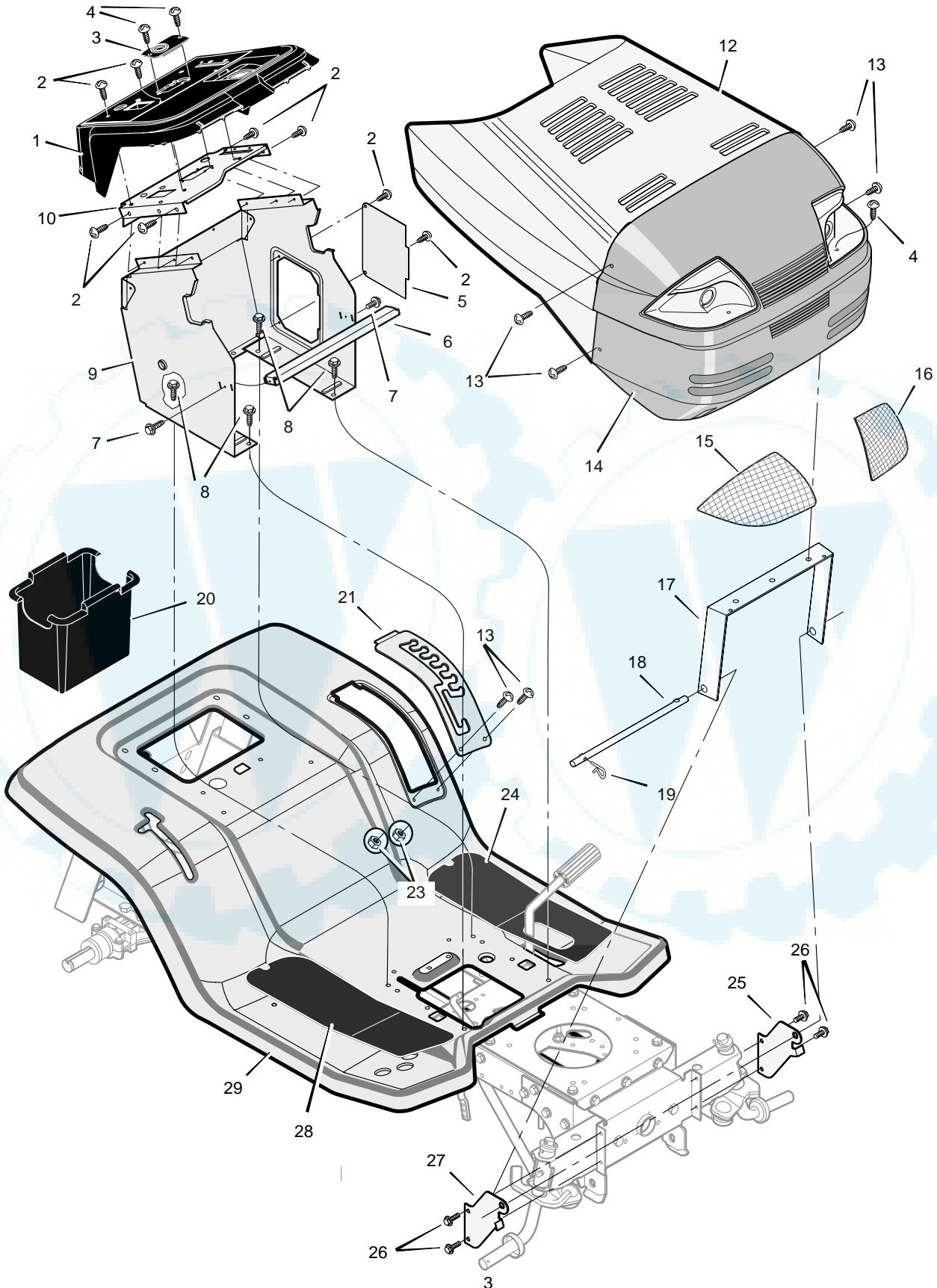
## MODEL 46103x50B

## REPAIR PARTS SEAT DECK

Key No.	Description	Part No.	Key No.	Description	Part No.
1	Seat	095236	26	Link, PTO	094004Z
2	Support, Seat	094154E700	27	Shoulder, Bolt	009x39
3	Push-On Cap	028x23	28	Washer	017x57
4	Washer	017x47	29	Pin, Cotter	030x20
5	Bolt, Wing	094160	30	Spring	166x39
6	Bolt	001x45	31	Bracket, PTO	094018E700
7	Bracket, Pivot	094153E700	32	Spring	166x40
8	Nut	15x123	33	Washer	17x103
9	Screw	26x229	34	Handle, Lift	690533Z
10	Spring, Leaf	094057	35	Grip	092697
11	Spring	164x31	36	Wheel, Steering	095184
12	Washer, Cup	094155 Z	37	Grip	091079
13	Bolt	009x55	38	Bellows	092059
14	Rod, Pivot	094156 Z	39	Rod, Parking Brake	095005Z
15	Bolt, Shoulder	009x56	40	Screw	26x267
16	Deck, Seat	095326E235	41	Bearing, Lower	094124
17	Screw	26x263	42	Gear, Pinion	690183
18	Spring	164x30	43	E-Ring	011x25
19	Screw	26x249	44	Shaft, Steering	690626
20	Grip	092698	46	Pin, Cotter	0031x4
21	Handle, PTO	094217 Z	47	Nut	15x123
22	Screw	0025x3	48	Insert, Steering Wheel	711325
23	Paddle, Switch	094022 Z	49	Screw	0025x3
24	Lever, PTO	094017 Z	51	Washer	17x146
25	Nut	015x84	—	Manual and Parts List	F-000808L

# MODEL 46103x50B

# REPAIR PARTS HOOD AND DASH



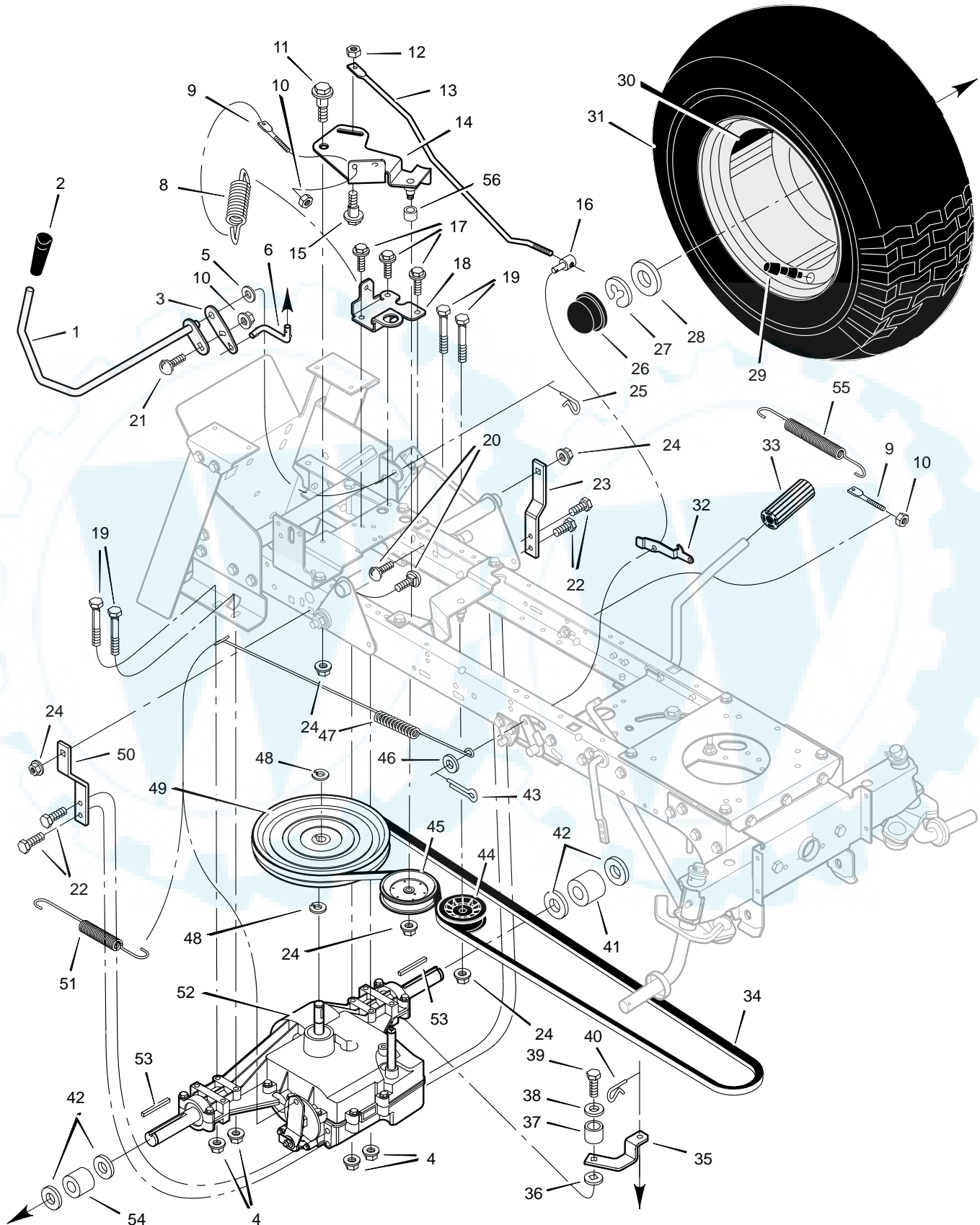
## MODEL 46103x50B

## REPAIR PARTS HOOD AND DASH

Key No.	Description	Part No.	Key No.	Description	Part No.
1	Dash	095034	16	Lens, Left	092540
2	Screw	26x270	17	Brace, Grille	092541
3	Bearing, Upper Steering	094219	18	Rod, Pivot	093137 Z
4	Screw	26x239	19	Pin, Hair	0031x4
5	Panel, Side Access	093007E700	20	Container, Battery	690424
6	Channel, Support	095081	21	Plate, Lift Detent	094886E700
7	Screw	26x263	23	Nut	015x81
8	Screw	26x249	24	Mat, Left	094109
9	Support, Dash	095082	25	Support, Left Grille	094213E700
10	Plate, Dash	094221E700	26	Screw	26x249
12	Hood	093215E245	27	Support, Right Grille	094212E700
13	Bolt, Shoulder	009x47	28	Mat, Right	094108
14	Grille (Includes Lens)	094869	29	Deck, Seat	095326E245
15	Lens, Right	092539			

# MODEL 46103x50B

# REPAIR PARTS MOTION DRIVE



## MODEL 46103x50B

## REPAIR PARTS MOTION DRIVE

Key No.	Description	Part No.	Key No.	Description	Part No.
1	Lever, Shift	690366Z	30	Wheel and Tire	093263-601
2	Grip	092697	31	Tire *	091923
3	Plate, Adjusting	690131 Z	—	Tube	407049
4	Nut	015x88	32	Latch, Parking Brake	094045 Z
5	Washer	17x103	33	Pedal	021544
6	Link, Shift	690130 Z	34	Belt, Drive	037x68
8	Spring, Extension	165x116	35	Yoke, Shift	690129 Z
9	Stud, Spring	094042 Z	36	Washer, Square	17x148
10	Nut	015x79	37	Pilot, Support	091889
11	Bolt, Shoulder	009x39	38	Washer	017x38
12	Nut	015x89	39	Capscrew	06x105
13	Rod, Clutch	094041 Z	40	Pin, Hair	0031x6
14	Arm Assembly, Idler	690364 Z	41	Spacer, Left	690213 Z
15	Bolt, Shoulder	009x54	42	Washer	17x118 Z
16	Nut, Adjusting	094815	43	Pin, Cotter	030x20
17	Screw	26x249	44	Pulley, V Idler	690410
18	Bracket, Spring Mount	690070E700	45	Pulley, Backside Idler	023339
19	Bolt	01x155	46	Washer	17x169
20	Bolt, Carriage	002x78	47	Spring, Brake	165x115
21	Bolt, Carriage	002x53	48	Ring, Snap	0011x7
22	Bolt	26x216	49	Pulley, Drive	690181
23	Bracket, Left Torque	690081E700	50	Bracket, Right Torque	690080E700
24	Nut	015x84	51	Spring, Extension	165x92
25	Pin, Hair	0031x4	52	Transmission †	—
26	Cap, Hub	094618	53	Key, Square	024039
27	E-Ring	011x23	54	Spacer, Right	690214 Z
28	Washer	17x193	55	Spring, Extension	165x133
29	Stem, Valve	024373	56	Spacer	690369

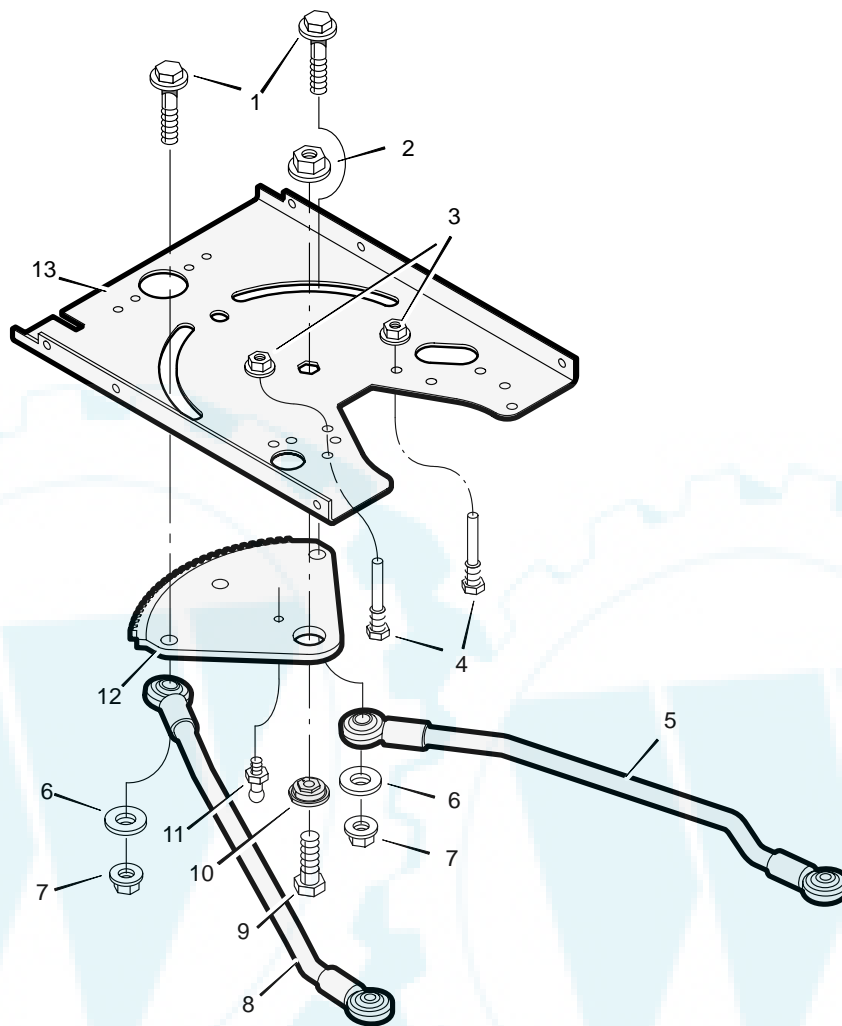
\* When you order a tire, make sure to give the brand name of the tire so that the tread pattern on the tire will match.

† For information on Replacement Parts see the Central Parts Distributor in your area.



**MODEL 46103x50B**

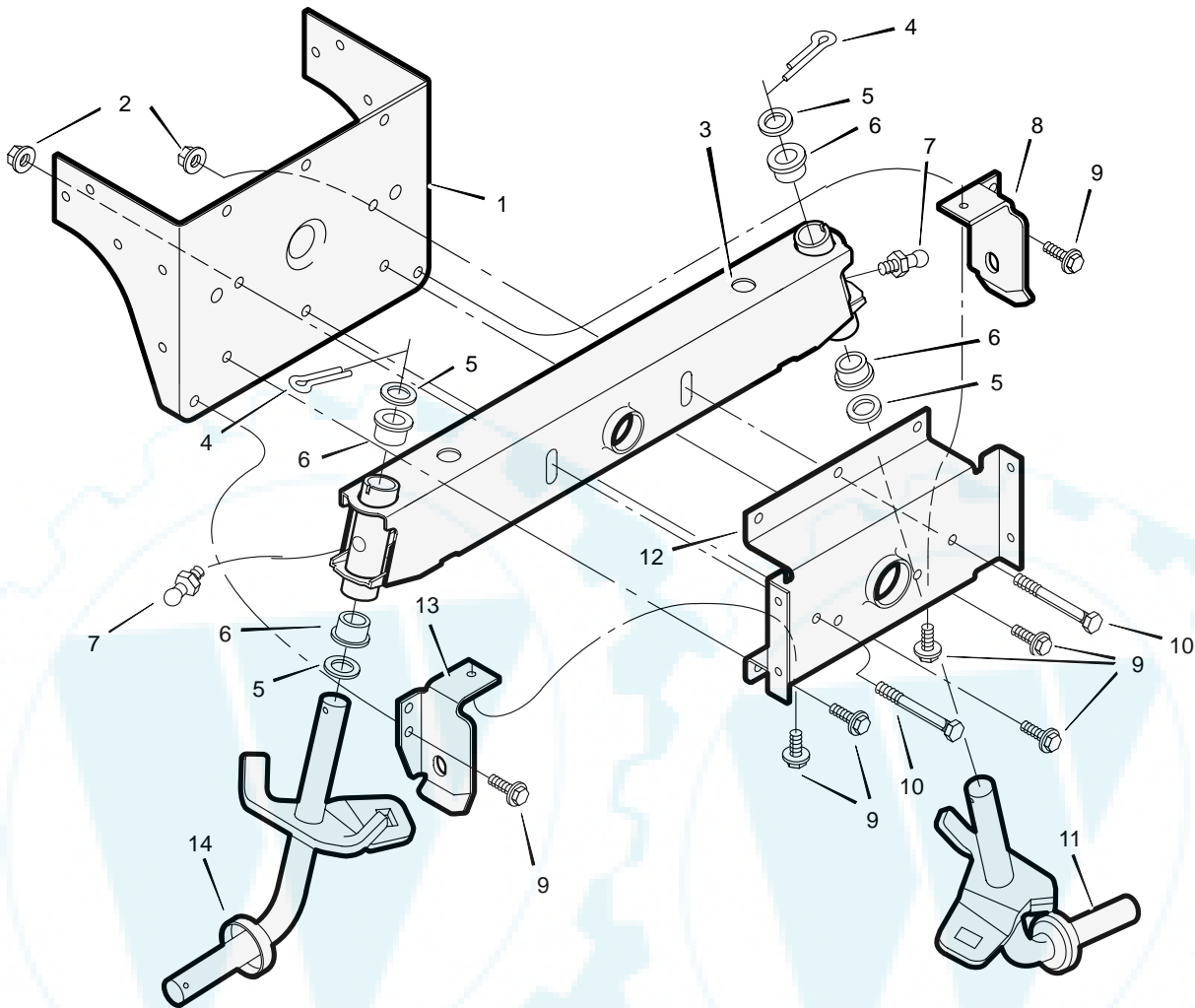
**REPAIR PARTS  
SECTOR GEAR**



Key No.	Description	Part No.
1	Bolt, Shoulder	009x62
2	Nut, Lock	15x111
3	Nut, Flange	015x79
4	Guide, Screw	094384
5	Link, Left Drag	690146E700
6	Washer	17x168
7	Nut, Flange	015x84
8	Link, Right Drag	690145E700
9	Bolt	001x84
10	Bearing, Sector Gear	690180
11	Fitting, Lub	092530
12	Gear, Sector	690147E700
13	Plate, Steering	1001024E700

**MODEL 46103x50B**

**REPAIR PARTS  
FRONT AXLE**

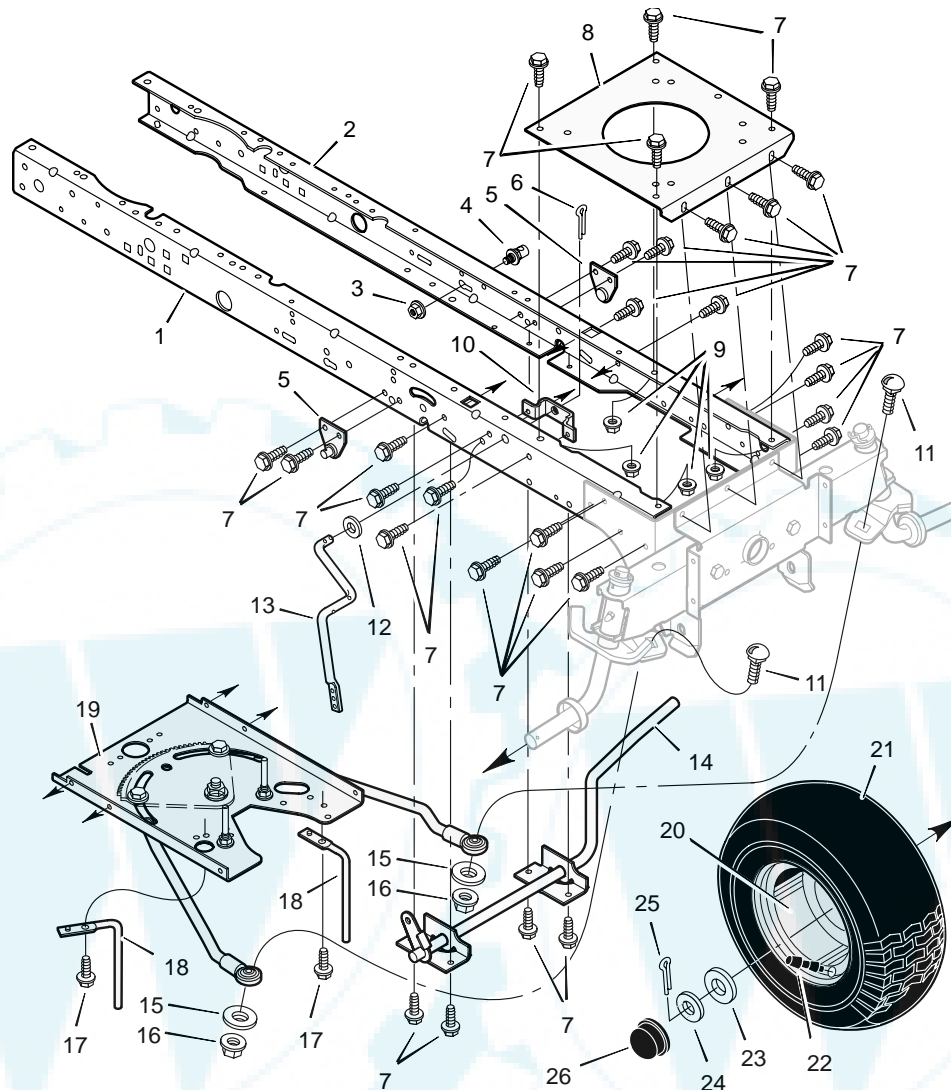


Key No.	Description	Part No.	Key No.	Description	Part No.
1	Bracket, Rear Hanger	690067E700	8	Hanger, Left Deck	690198E700
2	Nut, Flange	15x118	9	Screw	26x249
3	Axle Assembly	690210E700	10	Bolt	01x146
4	Pin, Hair	030x49	11	Spindle Assembly, Left	690179E700
5	Washer	017x75	12	Hanger, Axle	094007E700
6	Bearing, Spindle	093058	13	Hanger, Right Deck	690199E700
7	Fitting, Lub	092530	14	Spindle Assembly, Right	690178E700



**MODEL 46103x50B**

**REPAIR PARTS  
FRONT FRAME ASSEMBLY**



Key No.	Description	Part No.
1	Frame, Right	1001022E700
2	Frame, Left	1001023E700
3	Nut, Flange	015x84
4	Stud, Swivel	690182
5	Bracket Assembly, Suspension	690406E700
6	Pin, Cotter	030x20
7	Screw	26x249
8	Plate, Engine	094006E700
9	Nut	015x88
10	Bracket, PTO Crank	094005E700
11	Bolt, Carriage	002x87
12	Washer	017x57
13	Crank, PTO	690394E700
14	Lever, Brake/Clutch	094038E700

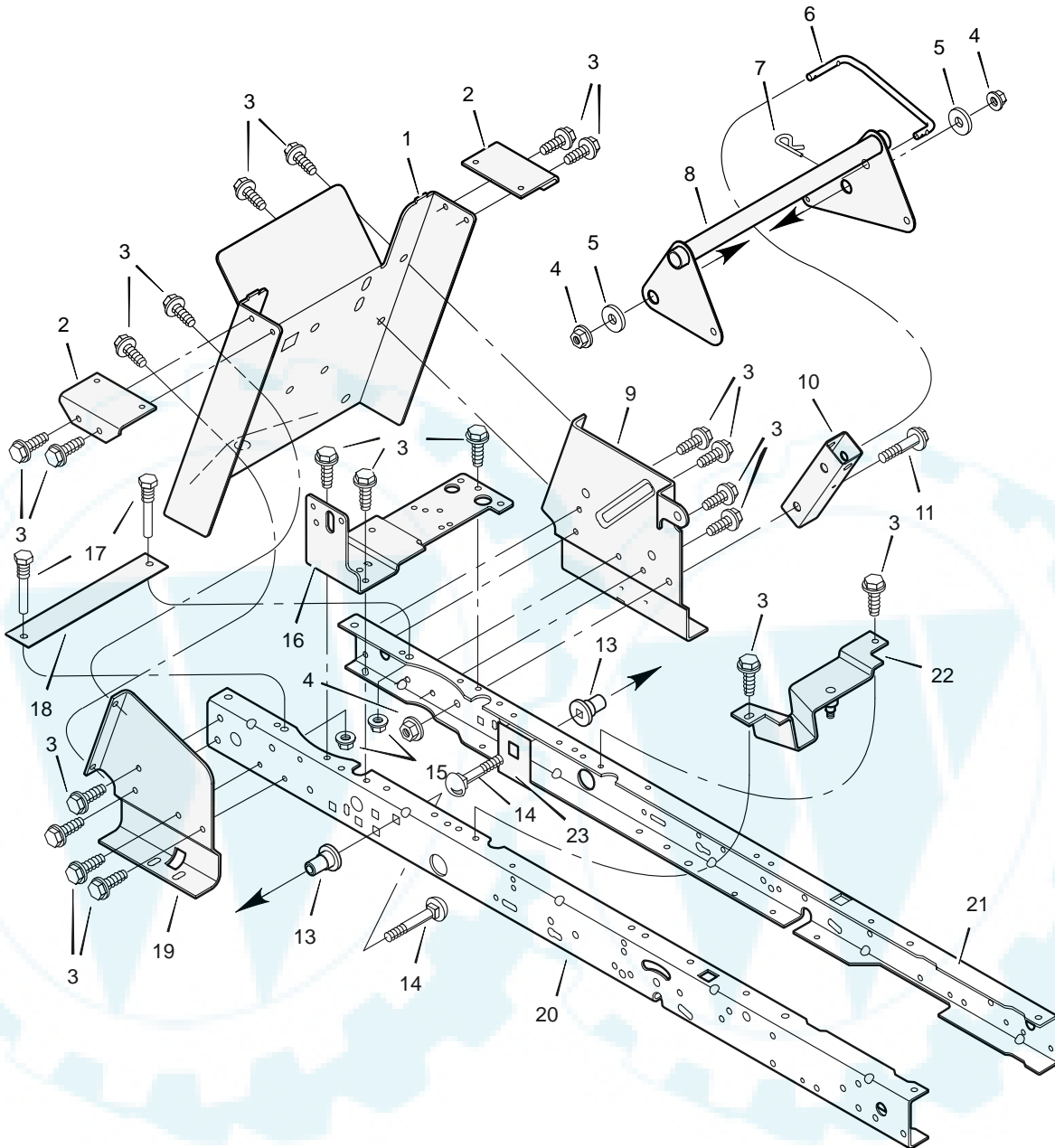
Key No.	Description	Part No.
15	Washer	17x152
16	Nut	015x41
17	Screw	025x15
18	Guide, Belt	690192E700
19	Assembly, Steering *	†
20	Wheel & Tire Assembly	092644-601
21	Tire *	024393
—	Tube	407049
22	Stem, Valve	024373
23	Washer	17x194
24	Washer	17x114
25	Pin, Cotter	030x49
26	Cap, Hub	094618

\* When you order a tire, make sure to give the brand name of the tire so that the tread pattern on the tire will match.

† See the Sector Gear Repair Parts page.

**MODEL 46103x50B**

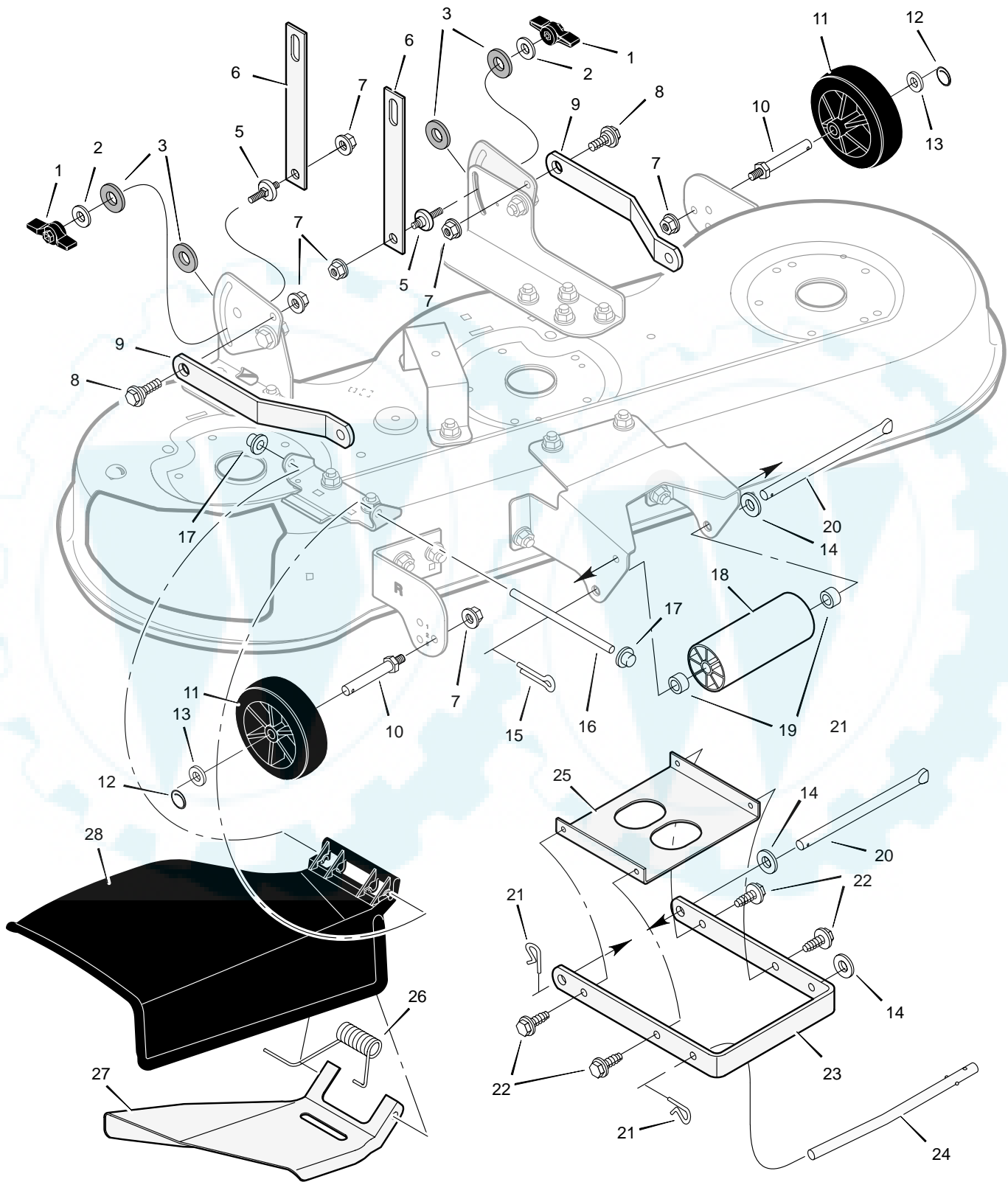
**REPAIR PARTS  
REAR FRAME ASSEMBLY**



Key No.	Description	Part No.	Key No.	Description	Part No.
1	Frame, Rear Hitch	690094E700	13	Spacer, Lifter	690151
2	Bracket, Seat Deck	690077E700	14	Bolt, Carriage	002x85
3	Screw	26x249	15	Nut, Flange	015x79
4	Nut, Flange	015x84	16	Bracket, Right Shift	690166E700
5	Washer	17x168	17	Screw, Guide	094384
6	Link, Lift Handle	690122E700	18	Bracket, Battery Support	690482E700
7	Pin, Hair	0031x4	19	Bracket, Right Transaxle	690064E700
8	Assembly, Lifter	690363E700	20	Frame, Right	690206E700
9	Bracket, Left Transaxle	690065E700	21	Frame, Left	690207E700
10	Bracket, Lift Pivot	094015E700	22	Bracket, Idler	690365 Z
11	Bolt, Shoulder	009x53	23	Plate, Stiffening	690389E700

**MODEL 46103x50B**

**REPAIR PARTS  
MOWER HOUSING SUSPENSION**



**MODEL 46103x50B**

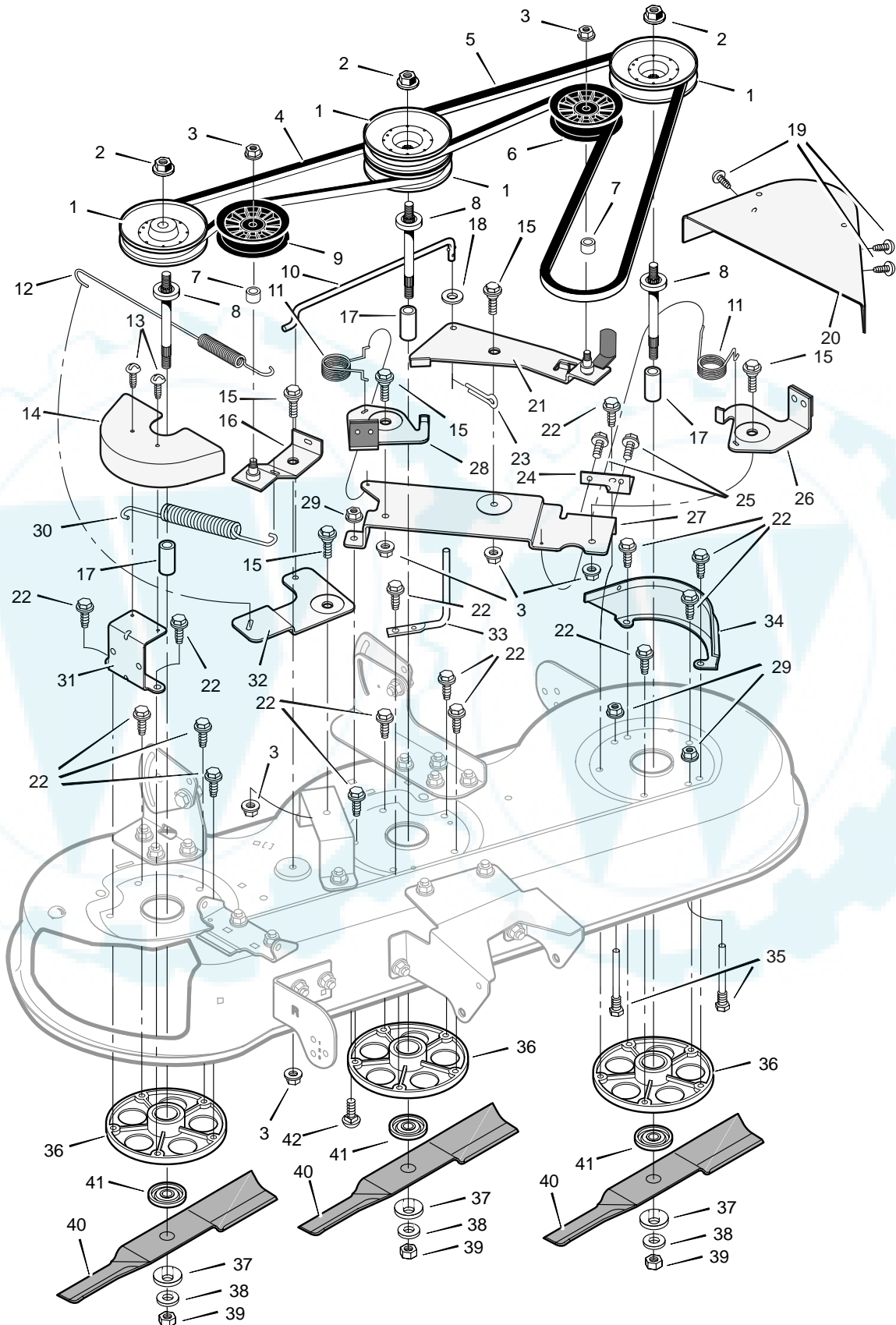
**REPAIR PARTS  
MOWER HOUSING SUSPENSION**



<b>Key No.</b>	<b>Description</b>	<b>Part No.</b>
1	Knob	094068
2	Washer	017x45
3	Pad, Friction	094137
5	Pin, Hanger	095194
6	Link, Lift	690121E700
7	Nut, Flange	015x84
8	Bolt, Shoulder	009x52
9	Bracket, Rear Suspension	690578E700
10	Bolt, Gauge Wheel	094025
11	Wheel	092683
12	Pin, Hair	031x11
13	Washer	017x91 Z
14	Washer	17x103
15	Pin, Cotter	030x49
16	Rod, Deflector	092159 Z
17	Push-On Cap	028x23
18	Roller	092137
19	Spacer	091925
20	Rod, Deck Suspension	094996
21	Pin, Hair	0031x4
22	Screw	26x249
23	Bracket, Front Suspension	094765E700
24	Rod, Hanger	094158 Z
25	Stiffener	094604E700
26	Spring	166x34
27	Deflector, Inside	092103E700
28	Deflector, Chute	092100

# MODEL 46103x50B

# REPAIR PARTS BLADE DRIVE



## MODEL 46103x50B

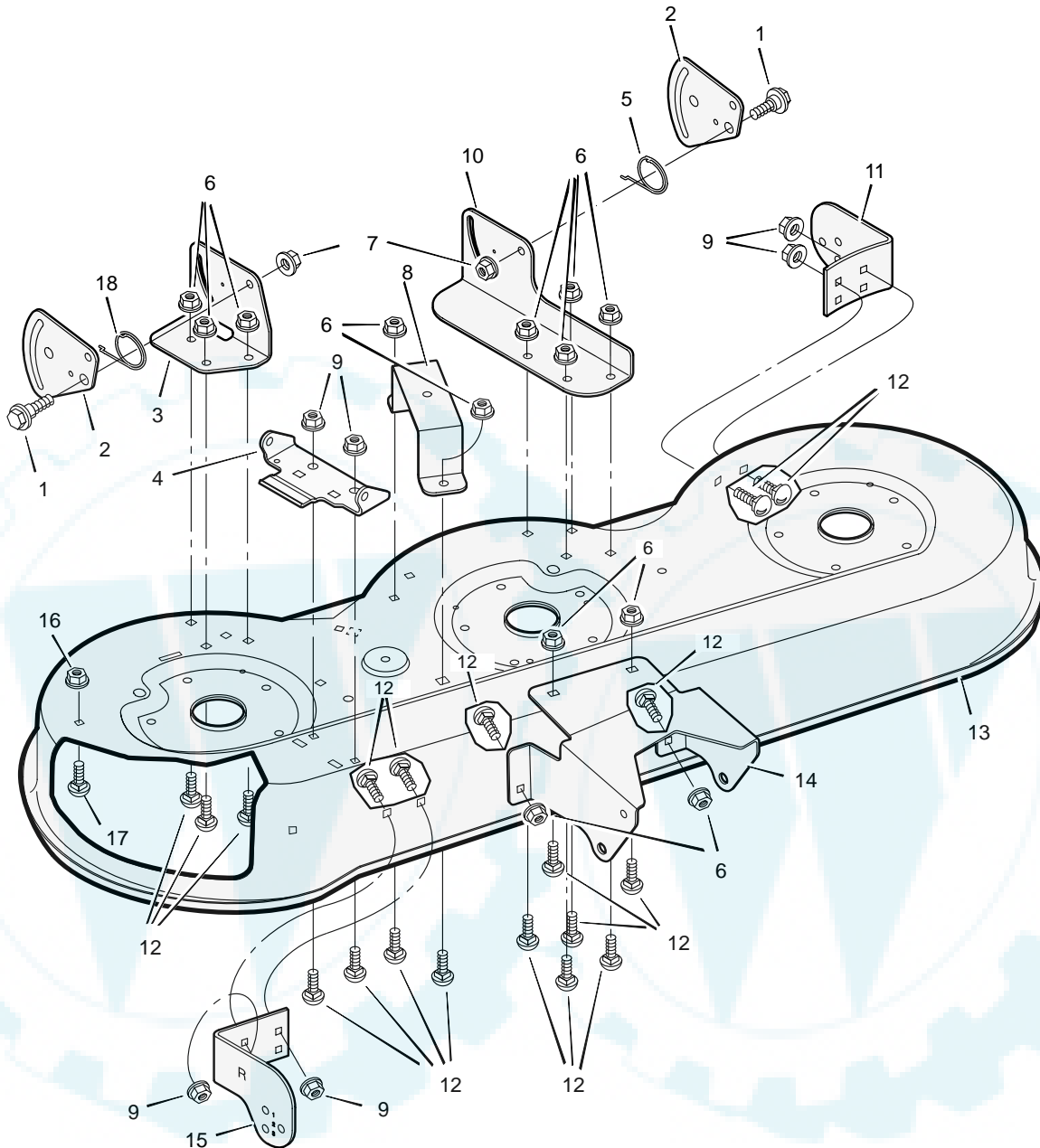
## REPAIR PARTS BLADE DRIVE

Key No.	Description	Part No.	Key No.	Description	Part No.
1	Pulley	094592	22	Bolt	0025x7
2	Nut	15x121	23	Pin, Cotter	030x20
3	Nut	015x84	24	Bracket, Brake Plate	094602E700
4	Belt, Secondary	037x66	25	Screw	26x249
5	Belt, Primary	037x96	26	Brake Assembly, Left	094640E700
6	Pulley, Idler	690387	27	Plate, Brake Arm	094596E700
7	Spacer	690369	28	Brake Assembly, Center	094641E700
8	Jackshaft	094129	29	Nut, Flange	015x79
9	Pulley, Idler	690549	30	Spring	165x79
10	Link, Bell Crank	094606 Z	31	Bracket, Cover	092140E700
11	Spring	166x41	32	Bell Crank	094603E700
12	Spring	165x138	33	Guide, Belt	092116 Z
13	Screw	26x250	34	Bracket, Pulley Cover	690221E700
14	Cover, Right Pulley	094607E700	35	Guide, Belt	091754 Z
15	Bolt, Shoulder	009x39	36	Housing, Jackshaft	1001049
16	Arm Assembly, Idler	094639E700	37	Washer	17x166
17	Spacer	094130	38	Washer	17x165
18	Washer	017x47	39	Nut, Blade	15x100
19	Screw	26x277	40	Blade	092351E701
20	Cover, Left Pulley	094645E700	41	Adapter, Blade	1001035
21	Arm Assembly, Idler	094644E700	42	Bolt, Carriage	002x53



**MODEL 46103x50B**

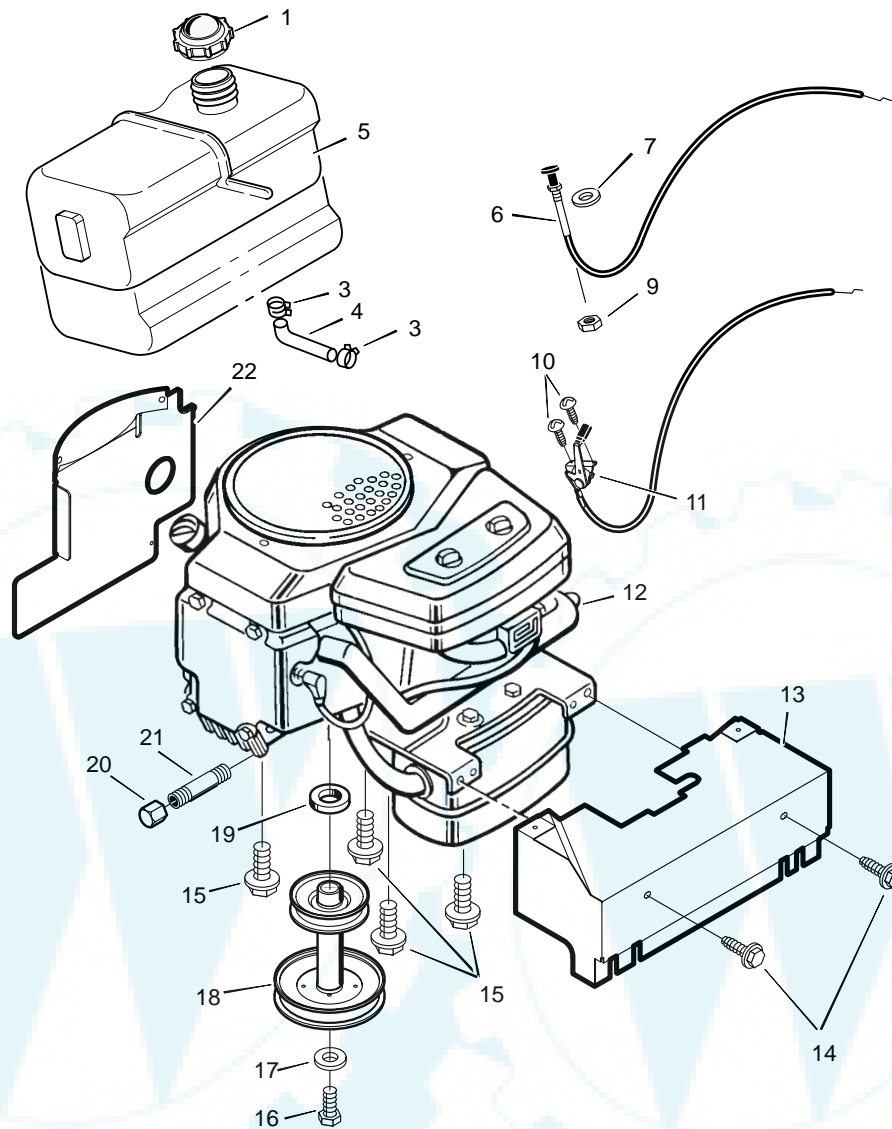
**REPAIR PARTS  
MOWER HOUSING**



Key No.	Description	Part No.	Key No.	Description	Part No.
1	Bolt, Shoulder	009x51	11	Bracket, Left Gauge Wheel	094919E700
2	Plate, Suspension	690128E700	12	Bolt, Carriage	002x53
3	Bracket, Right Rear	094598E700	13	Housing, Blade	690204E700
4	Bracket, Hinge	092104E700	14	Bracket, Front Deck	094997SE
5	Spring, Left	166x43	15	Bracket, Right Gauge Wheel	094918E700
6	Nut, Flange	015x79	16	Retainer	028x64
7	Nut, Flange	015x84	17	Bolt, Carriage	002x74
8	Bracket, Bell Crank	094601E700	18	Spring, Right	166x42
9	Nut, Flange	015x88	—	Complete Mower Housing	776111
10	Bracket, Left Lifter	094600E700			

**MODEL 46103x50B**

**REPAIR PARTS  
ENGINE MOUNT**



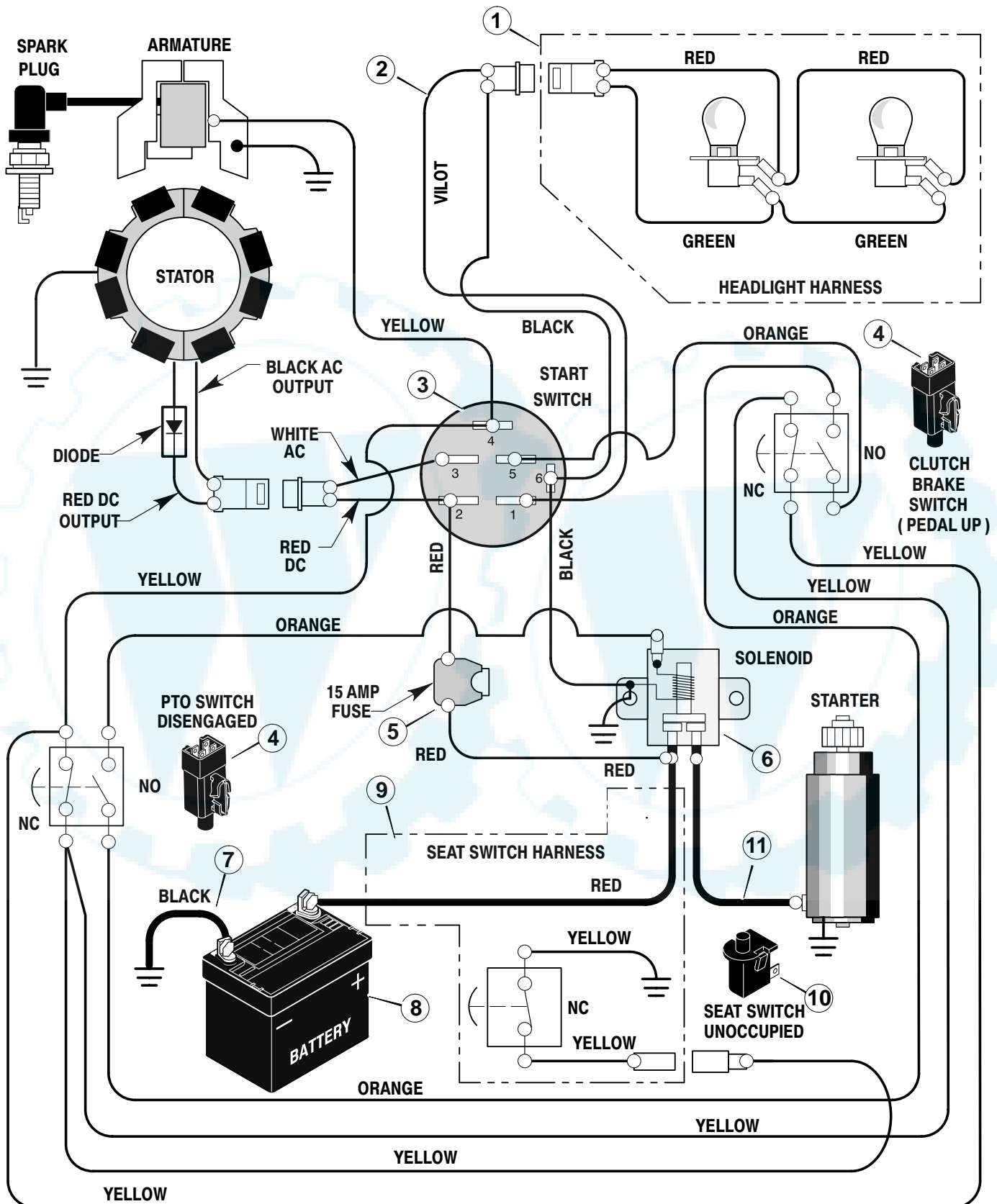
Key No.	Description	Part No.
1	Cap, Gas	091349
3	Clamp	095197
4	Line, Fuel	023717
5	Tank, Fuel	093148
6	Cable, Choke	690401
9	Nut	015x68
10	Screw	26x201
11	Control, Throttle	093165
12	Engine *	*
13	Shield Assembly, Heat	093191E701

Key No.	Description	Part No.
14	Screw	26x263
15	Screw	0025x7
16	Bolt	01x140
17	Washer	17x170
18	Pulley, Stack	690225
19	Spacer	093077
20	Cap, Oil Drain	021651
21	Pipe, Oil Drain	092279
22	Baffle, Rear Heat	093078E700

\* Parts are available from an Engine Authorized Service Center. See "Engines, Gasoline" or "Gasoline Engines" in the yellow pages of the telephone directory.

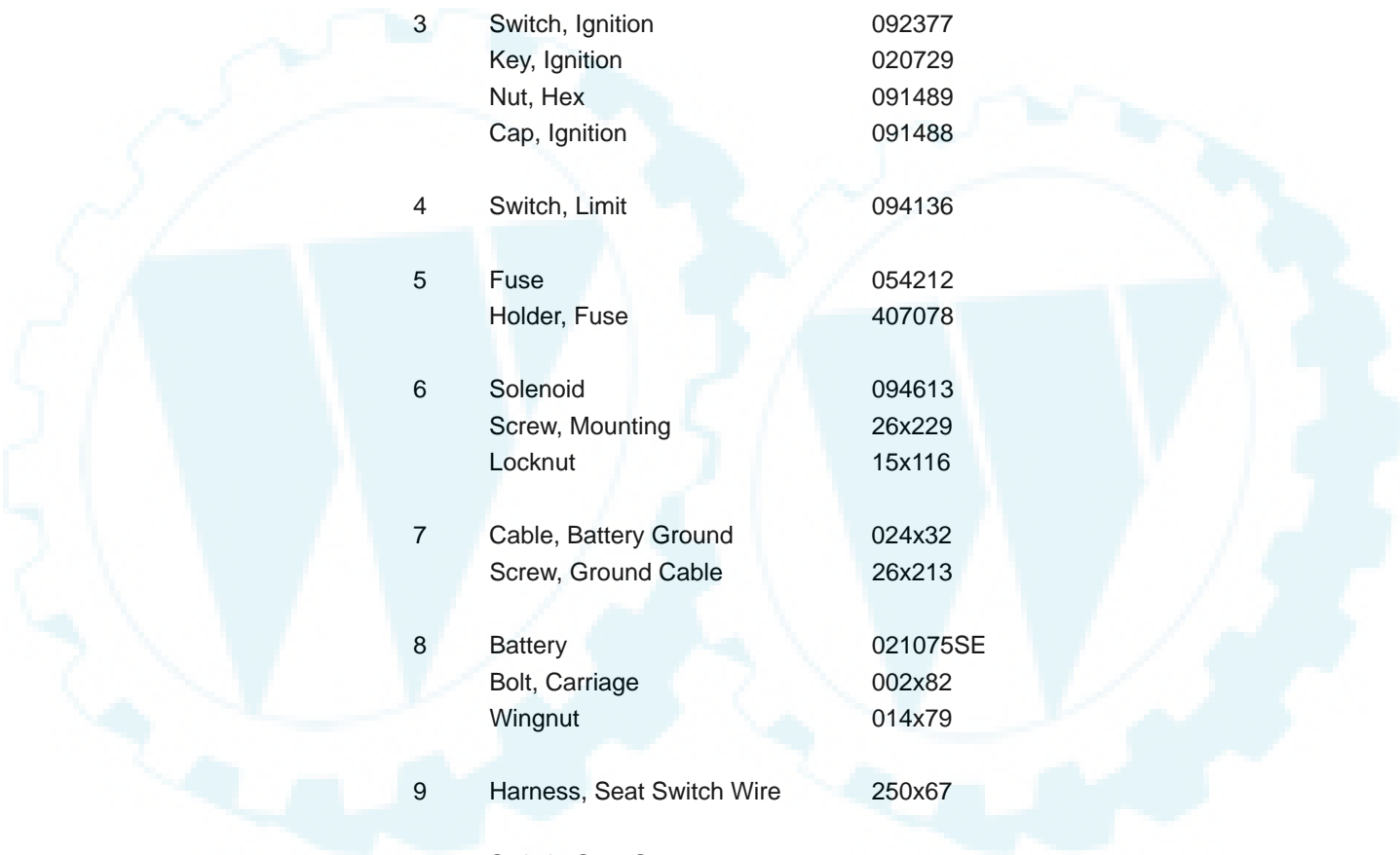
# MODEL 46103x50B

# REPAIR PARTS ELECTRICAL SYSTEM



**MODEL 46103x50B**

**REPAIR PARTS  
ELECTRICAL SYSTEM**



<b>Key No.</b>	<b>Description</b>	<b>Part No.</b>
1	Harness, Light Wire	250x92
	Socket, Light	092372
	Bulb, Light	090084
2	Harness, Chassis Wire	250x86
3	Switch, Ignition	092377
	Key, Ignition	020729
	Nut, Hex	091489
	Cap, Ignition	091488
4	Switch, Limit	094136
5	Fuse	054212
	Holder, Fuse	407078
6	Solenoid	094613
	Screw, Mounting	26x229
	Locknut	15x116
7	Cable, Battery Ground	024x32
	Screw, Ground Cable	26x213
8	Battery	021075SE
	Bolt, Carriage	002x82
	Wingnut	014x79
9	Harness, Seat Switch Wire	250x67
10	Switch, Seat Sensor	094159
11	Cable	024x31
—	Harness, AC/DC Jumper	250x90