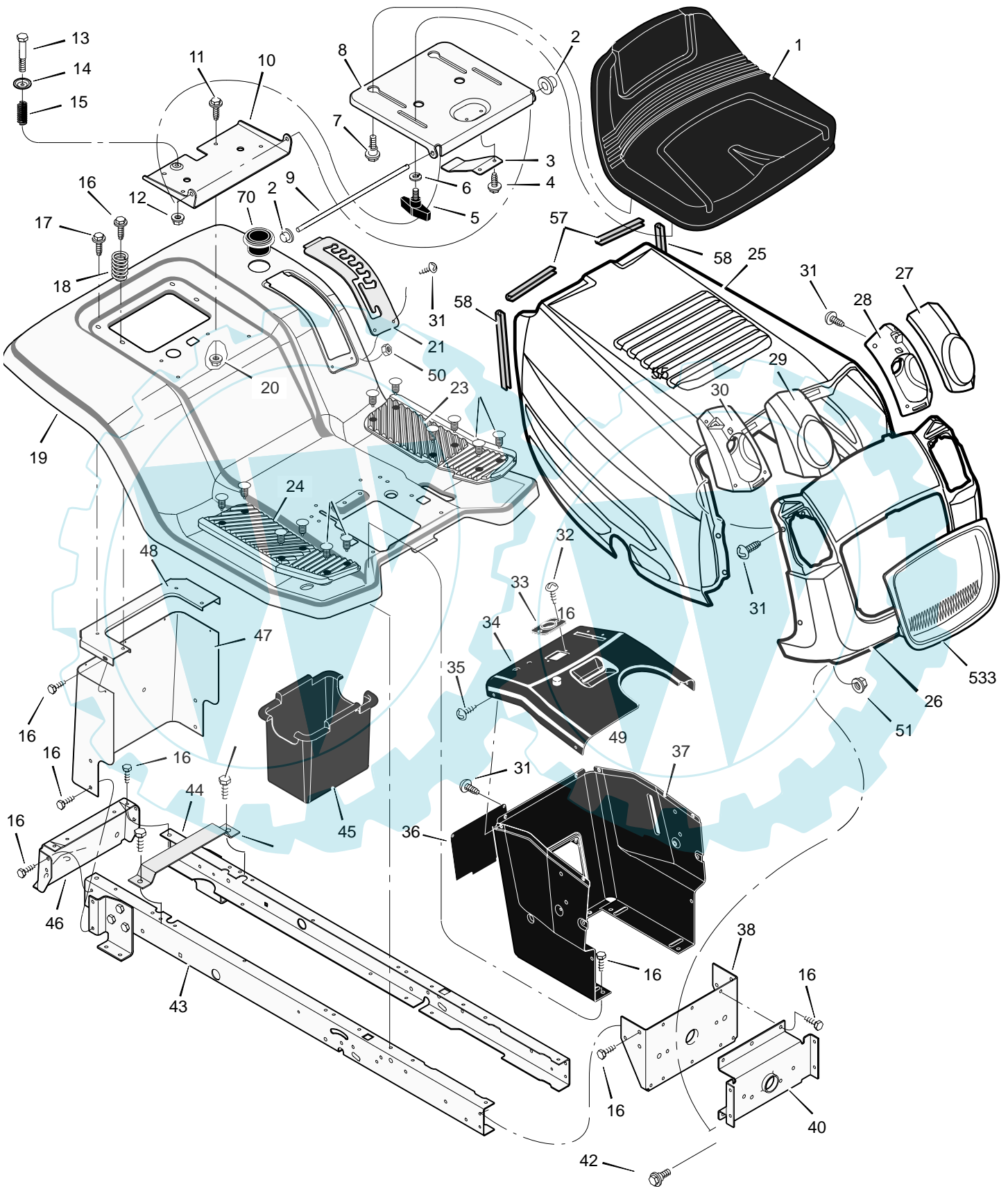


# MODEL 425615x52A

# REPAIR PARTS CHASSIS & HOOD



# MODEL 425615x52A

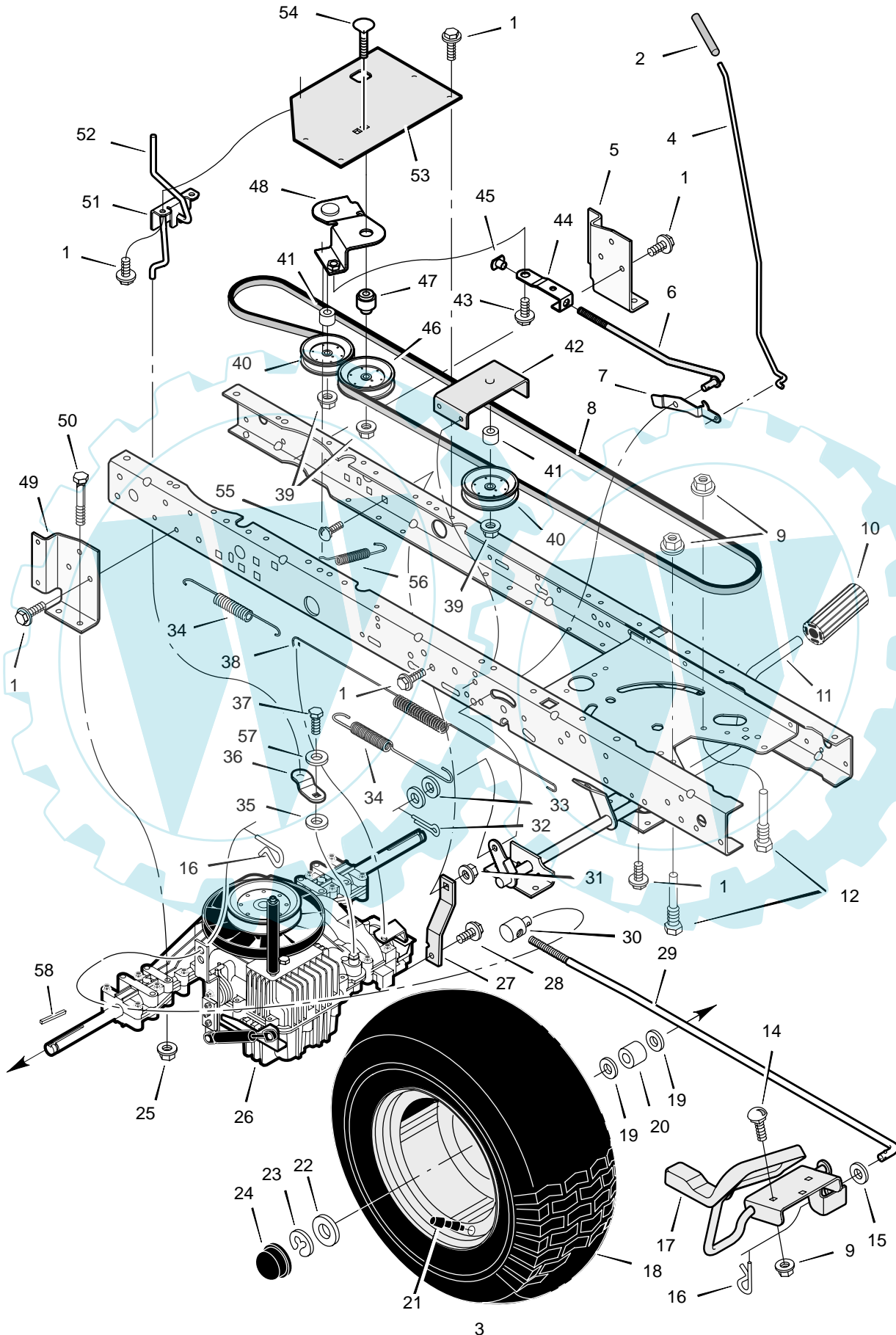
# REPAIR PARTS CHASSIS & HOOD

| Key No. | Part No.    | Description            | Key No. | Part No.    | Description                   |
|---------|-------------|------------------------|---------|-------------|-------------------------------|
| 1       | 095236      | Seat                   | 29      | 1001551     | Lens, Right                   |
| 2       | 028x23      | Cap, Push On           | 30      | 1001549     | Housing, Right Headlamp       |
| 3       | 094057      | Spring                 | 31      | 26x270      | Screw                         |
| 4       | 26x229      | Screw                  | 32      | 26x238      | Screw                         |
| 5       | 1001054     | Bolt, Wing             | 33      | 1001491     | Bearing, Steering             |
| 6       | 017x47 Z    | Washer                 | 34      | 1001594E717 | Dash                          |
| 7       | 009x56      | Bolt, Shoulder         | 35      | 26x201      | Screw                         |
| 8       | 094154E701  | Support, Seat          | 36      | 093007E701  | Panel, Access                 |
| 9       | 094156 Z    | Rod, Pivot             | 37      | 095318E717  | Support, Dash                 |
| 10      | 1001648E701 | Bracket, Pivot         | 38      | 1001270E701 | Bracket, Rear Hanger          |
| 11      | 001x45      | Bolt                   | 40      | 094007E701  | Axle, Hanger                  |
| 12      | 015x89      | Nut                    | 42      | 009x58      | Bolt, Shoulder                |
| 13      | 009x55      | Bolt, Shoulder         | 43      | 1001928E701 | Frame, Right                  |
| 14      | 094155 Z    | Washer                 | 44      | 1001927E701 | Frame, Left                   |
| 15      | 164x31      | Spring                 | 45      | 690424      | Container, Battery            |
| 16      | 26x249      | Screw                  | 46      | 1001002E700 | Plate, Hitch                  |
| 17      | 26x263      | Screw                  | 47      | 1001906E700 | Plate, Rear                   |
| 18      | 164x30      | Spring                 | 48      | 094186E701  | Top, Rear Plate               |
| 19      | 1001556E013 | Deck, Seat             | 49      | 690482E701  | Bracket, Battery Support      |
| 20      | 15x123      | Nut                    | 50      | 015x81      | Nut                           |
| 21      | 094886E700  | Plate, Lift            | 51      | 15x124      | Nut                           |
| 22      | 009x47      | Screw                  | 53      | 1001541     | Insert, Grille                |
| 23      | 095437      | Mat, Left              | 54      | 26x259      | Screw                         |
| 24      | 095438      | Mat, Right             | 55      | 0193x3      | Fastener, Panel (Gray)        |
| 25      | 1001660E013 | Hood                   | 57      | 1001652     | Trim, Hood (3.75")            |
| --      | 1001849     | Baffle, Foam *         | 58      | 1001653     | Trim, Hood (6.5")             |
| 26      | 1001533E717 | Grille                 | 70      | 1001542     | Holder, Cup                   |
| 27      | 1001552     | Lens, Left             | --      | 1001482     | Bag Assembly, Parts           |
| 28      | 1001550     | Housing, Left Headlamp | --      | F-040746L   | Instruction Book & Parts List |

\* Not Illustrated

MODEL 425615x52A

REPAIR PARTS  
DRIVE ASSEMBLY



# MODEL 425615x52A

# REPAIR PARTS DRIVE ASSEMBLY

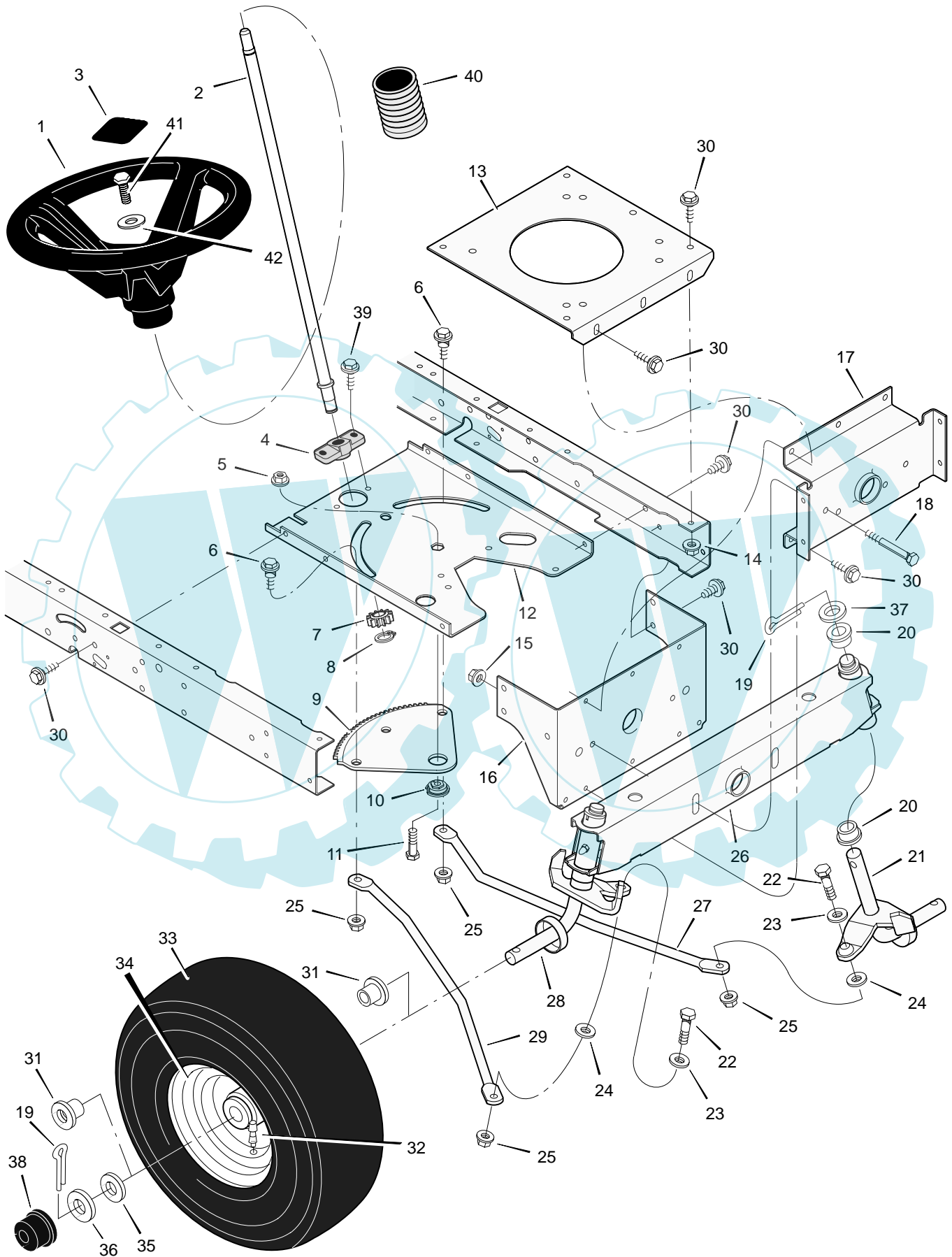
| Key No. | Part No.    | Description               | Key No. | Part No.    | Description              |
|---------|-------------|---------------------------|---------|-------------|--------------------------|
| 1       | 26x249      | Screw                     | 30      | 092132 Z    | Nut, Adjusting           |
| 2       | 091079      | Grip, Parking Brake       | 31      | 015x84      | Nut, Centerlock          |
| 4       | 1001245 Z   | Rod, Parking Brake        | 32      | 030x20      | Pin, Cotter              |
| 5       | 094185E701  | Bracket, Left Transaxle   | 33      | 017x48      | Washer                   |
| 6       | 1001013 Z   | Rod, Clutch               | 34      | 165x92      | Spring, Extension        |
| 7       | 094045 Z    | Latch, Parking Brake      | 35      | 17x148      | Washer                   |
| 8       | 37x106      | V-Belt, Drive             | 36      | 1001086 Z   | Arm, Disconnect          |
| 9       | 015x79      | Nut, Flange               | 37      | 06x105      | Capscrew                 |
| 10      | 021544      | Pedal, Brake/Clutch       | 38      | 165x150     | Spring, Brake            |
| 11      | 1001011E700 | Assembly, Brake Pedal     | 39      | 015x98      | Locknut, Flange          |
| 12      | 094384      | Screw, Guide              | 40      | 690409      | Pulley, Idler            |
| 14      | 002x53      | Bolt, Carriage            | 41      | 690369      | Spacer                   |
| 15      | 017x57      | Washer                    | 42      | 1001097     | Bracket, Idler Assembly  |
| 16      | 0031x4      | Pin, Hair                 | 43      | 009x49      | Bolt, Shoulder           |
| 17      | 1001231E700 | Pedal Assembly, Hydro     | 44      | 1001007 Z   | Link, Clutch             |
| 18      | 092300-601  | Wheel & Tire Ass'y, Rear  | 45      | 1001014     | Nut, Tee                 |
| --      | 024430      | Tire ONLY *               | 46      | 690410      | Pulley, Idler            |
| --      | 407049      | Tube ONLY                 | 47      | 1001012     | Bushing, Pivot           |
| 19      | 17x160      | Washer                    | 48      | 1001018 Z   | Arm Assembly, Idler      |
| 20      | 690554 Z    | Spacer                    | 49      | 094184E700  | Bracket, Right Transaxle |
| 21      | 024373      | Stem, Valve               | 50      | 01x155      | Bolt, Hex                |
| 22      | 17x195      | Washer                    | 51      | 1001214 Z   | Bracket, Disconnect      |
| 23      | 0011x3      | E-Ring                    | 52      | 1001215 Z   | Rod, Disconnect          |
| 24      | 094618      | Cap, Hub                  | 53      | 1001108E701 | Bracket, Idler Pivot     |
| 25      | 015x88      | Nut, Centerlock           | 54      | 002x92      | Bolt, Carriage           |
| 26      | **          | Transaxle, Peerless HYDRO | 55      | 002x78      | Bolt, Carriage           |
| 27      | 1001085E701 | Strap, Torque             | 56      | 165x155     | Spring, Clutch           |
| 28      | 26x216      | Screw                     | 57      | 017x38      | Washer                   |
| 29      | 1001234 Z   | Rod, Control              | 58      | 021553      | Key, Woodruff 3/16"      |

\* When you order a tire, make sure to give the brand name of the tire so that the tread pattern on the tire will match.

\*\* For information on Replacement Parts see the Central Parts Distributor in your area.

MODEL 425615x52A

REPAIR PARTS  
STEERING



# MODEL 425615x52A

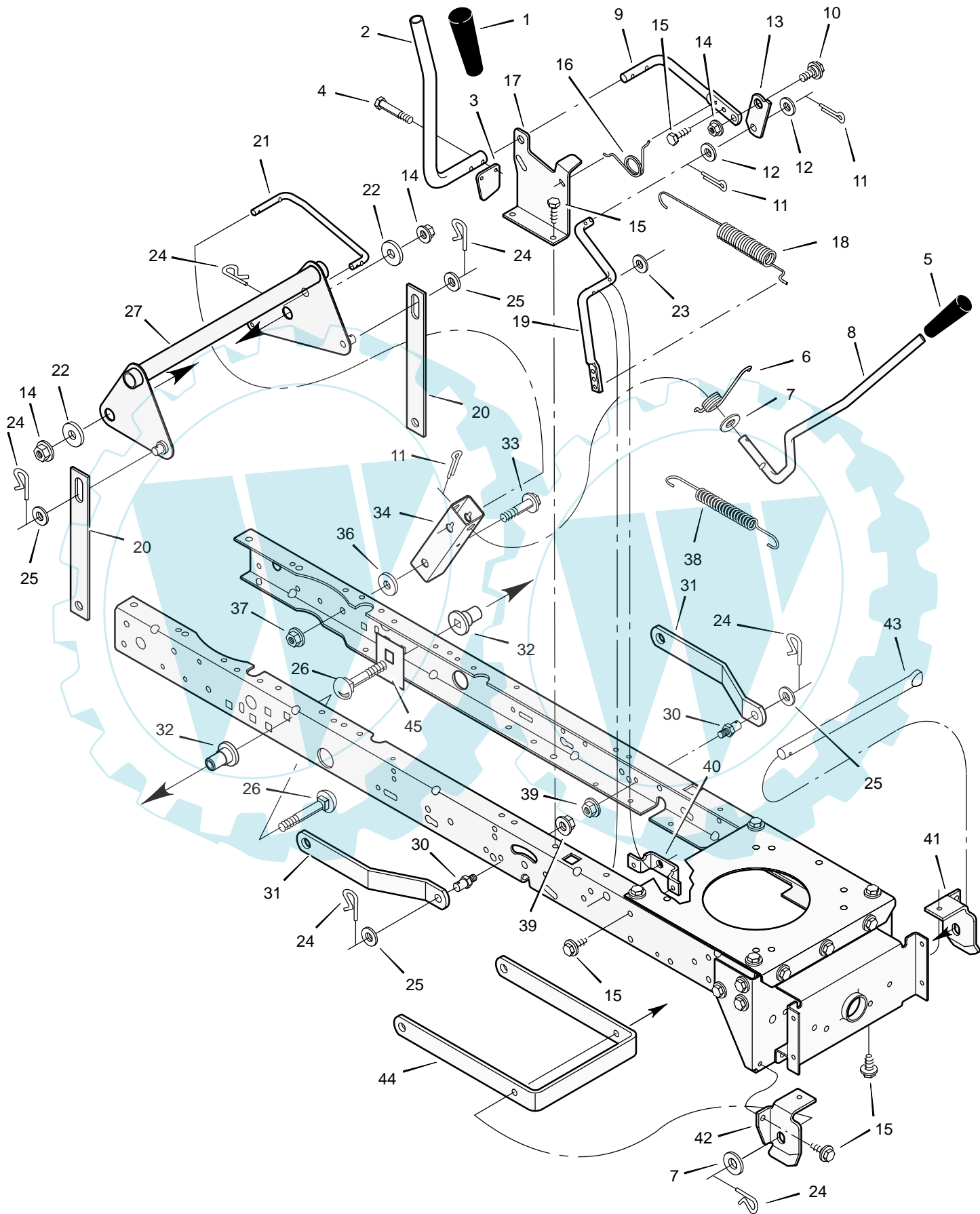
# REPAIR PARTS STEERING

| Key No. | Part No.    | Description            | Key No. | Part No.    | Description             |
|---------|-------------|------------------------|---------|-------------|-------------------------|
| 1       | 095184      | Wheel, Steering        | 23      | 17x104      | Washer                  |
| 2       | 690625      | Post, Steering         | 24      | 017x53 Z    | Washer                  |
| 3       | 711325      | Insert, Steering Wheel | 25      | 015x84      | Nut, Flange             |
| 4       | 094124      | Bearing                | 26      | 1001460E700 | Axle Assembly           |
| 5       | 15x111      | Nut, Flange            | 27      | 095329E700  | Drag Link, Left         |
| 6       | 009x57      | Bolt, Shoulder         | 28      | 094575E700  | Spindle Assembly, Right |
| 7       | 690183E700  | Gear, Pinion           | 29      | 095328E700  | Drag Link, Right        |
| 8       | 011x25      | Ring, Snap             | 30      | 26x249      | Screw                   |
| 9       | 094121E700  | Gear, Sector           | 31      | 091334      | Bearing, Wheel          |
| 10      | 094123      | Bearing                | 32      | 024373      | Stem, Valve             |
| 11      | 001x84      | Bolt                   | 33      | 024380      | Tire *                  |
| 12      | 1001121E700 | Plate, Steering        | —       | 407924      | Tube                    |
| 13      | 094006E700  | Plate, Engine          | 34      | 094581-601  | Wheel and Tire Assembly |
| 14      | 015x88      | Nut, Flange            | 35      | 17x195      | Washer                  |
| 15      | 15x118      | Nut, Flange            | 36      | 17x192      | Washer                  |
| 16      | 1001270E700 | Bracket, Hanger        | 37      | 17x113      | Washer                  |
| 17      | 094007E700  | Axle, Hanger           | 38      | 094618      | Hub Cap                 |
| 18      | 01x146      | Bolt                   | 39      | 26x267      | Screw                   |
| 19      | 030x49      | Pin, Cotter            | 40      | 092059      | Bellows                 |
| 20      | 690150      | Bearing                | 41      | 0025x3      | Bolt                    |
| 21      | 094576E700  | Spindle Assembly, Left | 42      | 17x146      | Washer                  |
| 22      | 01x111      | Bolt                   |         |             |                         |

\* When you order a tire, make sure to give the brand name of the tire so that the tread pattern on the tire will match.

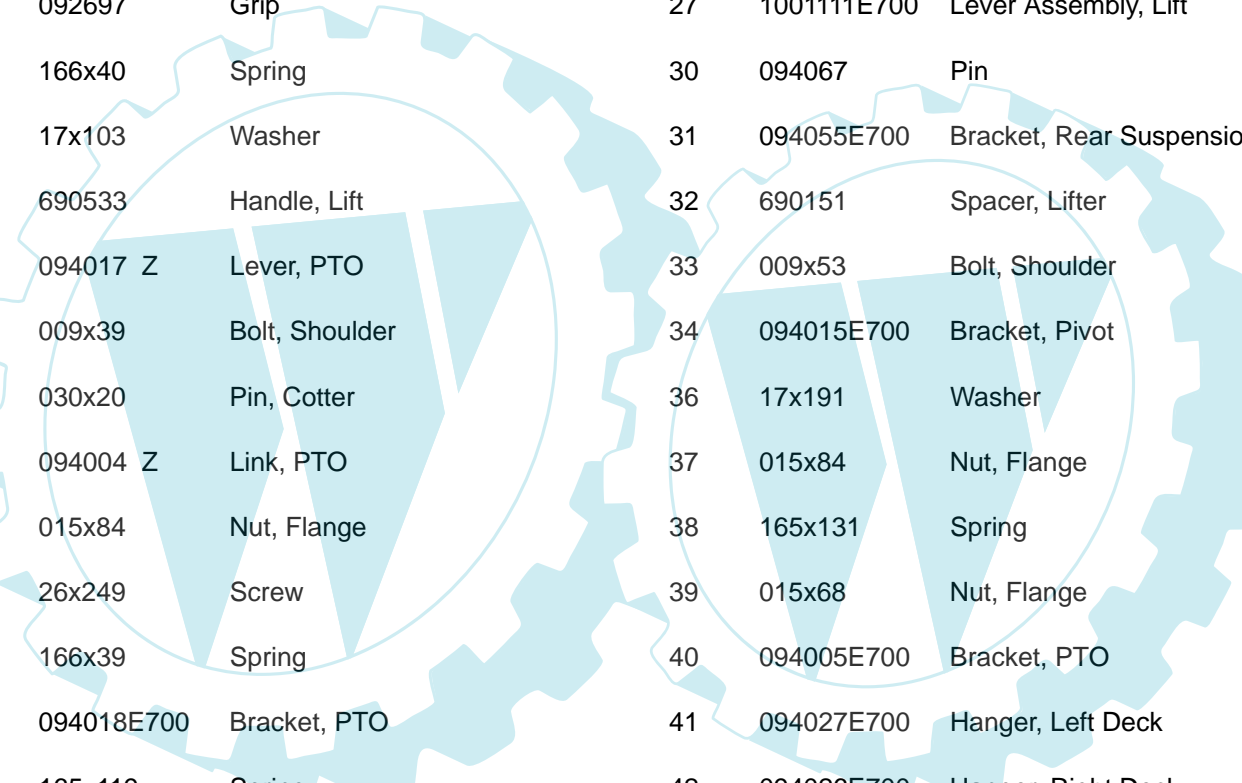
# MODEL 425615x52A

# REPAIR PARTS MOWER HOUSING SUSPENSION



# MODEL 425615x52A

# REPAIR PARTS MOWER HOUSING SUSPENSION

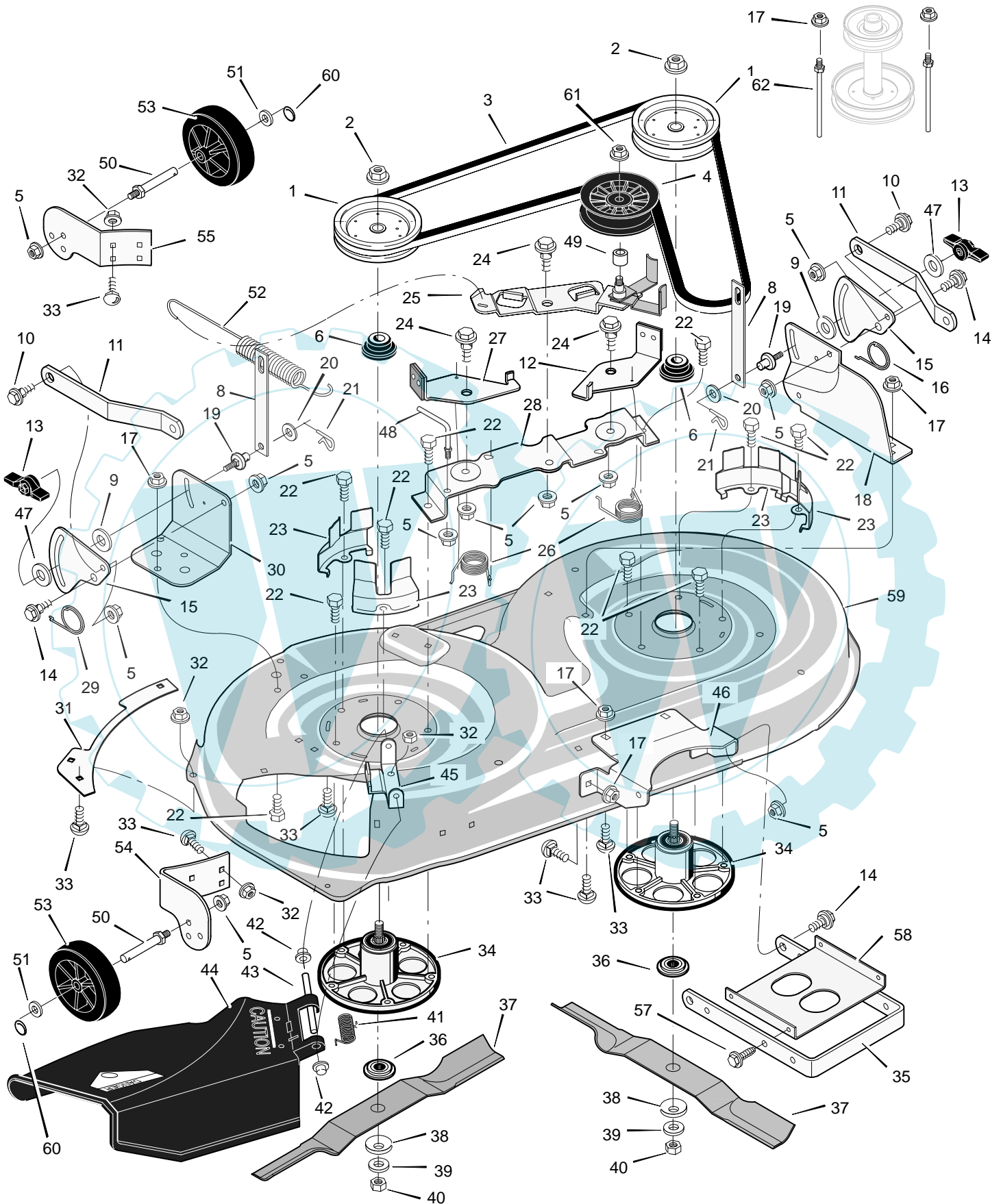


| Key No. | Part No.   | Description       | Key No. | Part No.    | Description              |
|---------|------------|-------------------|---------|-------------|--------------------------|
| 1       | 092698     | Grip, PTO         | 23      | 017x57      | Washer                   |
| 2       | 094826 Z   | Handle, PTO       | 24      | 0031x4      | Pin, Hair                |
| 3       | 094022 Z   | Pad, Switch       | 25      | 017x91      | Washer                   |
| 4       | 0025x3     | Bolt              | 26      | 002x85      | Bolt, Carriage           |
| 5       | 092697     | Grip              | 27      | 1001111E700 | Lever Assembly, Lift     |
| 6       | 166x40     | Spring            | 30      | 094067      | Pin                      |
| 7       | 17x103     | Washer            | 31      | 094055E700  | Bracket, Rear Suspension |
| 8       | 690533     | Handle, Lift      | 32      | 690151      | Spacer, Lifter           |
| 9       | 094017 Z   | Lever, PTO        | 33      | 009x53      | Bolt, Shoulder           |
| 10      | 009x39     | Bolt, Shoulder    | 34      | 094015E700  | Bracket, Pivot           |
| 11      | 030x20     | Pin, Cotter       | 36      | 17x191      | Washer                   |
| 13      | 094004 Z   | Link, PTO         | 37      | 015x84      | Nut, Flange              |
| 14      | 015x84     | Nut, Flange       | 38      | 165x131     | Spring                   |
| 15      | 26x249     | Screw             | 39      | 015x68      | Nut, Flange              |
| 16      | 166x39     | Spring            | 40      | 094005E700  | Bracket, PTO             |
| 17      | 094018E700 | Bracket, PTO      | 41      | 094027E700  | Hanger, Left Deck        |
| 18      | 165x119    | Spring            | 42      | 094026E700  | Hanger, Right Deck       |
| 19      | 690394E700 | Crank, PTO        | 43      | 094158 Z    | Rod, Hanger              |
| 20      | 690212E700 | Link, Lift        | 44      | 690539E700  | Bracket, Suspension      |
| 21      | 690122E700 | Link, Lift Handle | 45      | 1001098E700 | Plate, Stiffening        |
| 22      | 17x168     | Washer            |         |             |                          |



# MODEL 425615x52A

# REPAIR PARTS MOWER HOUSING



# MODEL 425615x52A

# REPAIR PARTS MOWER HOUSING

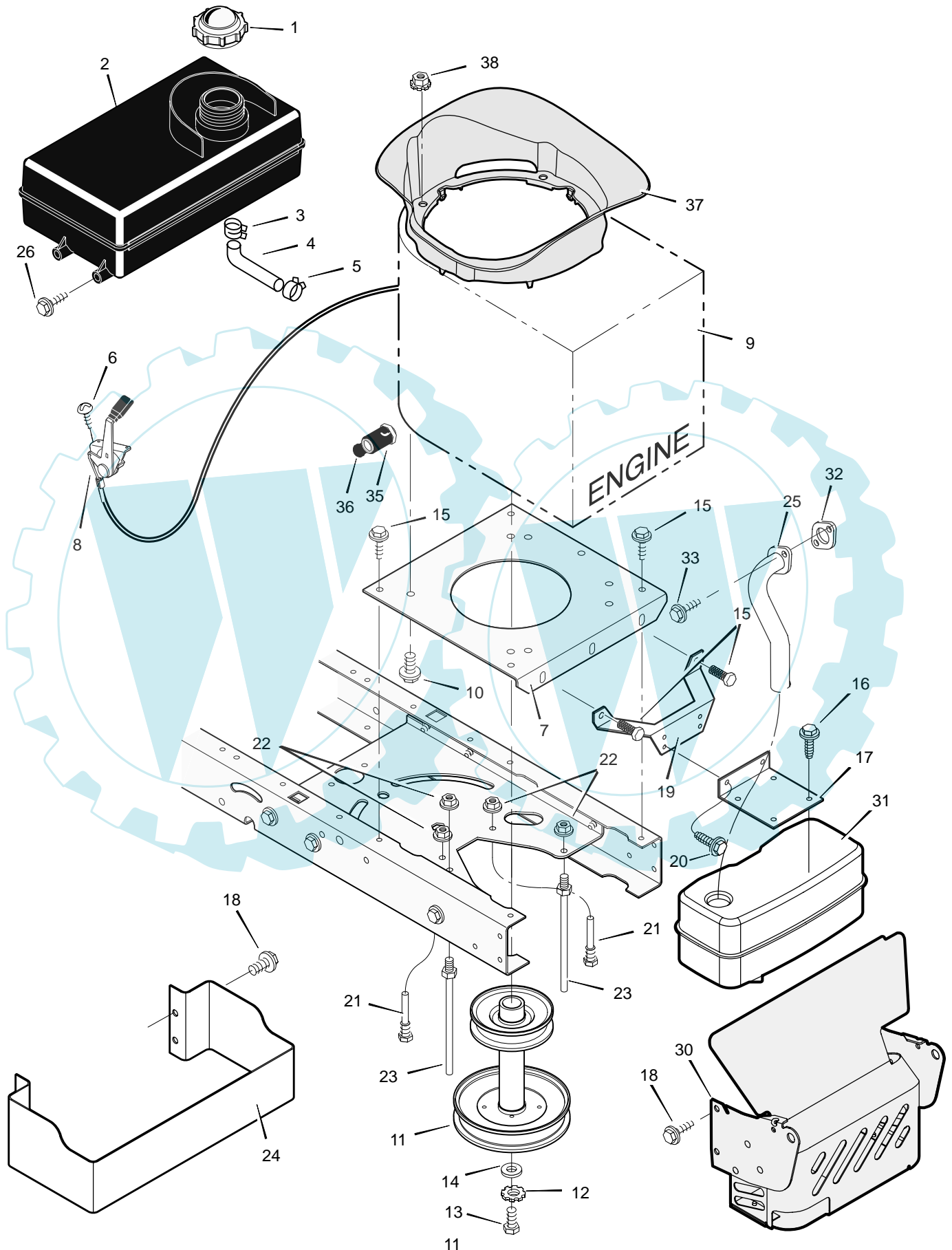
| Key No. | Part No.   | Description               | Key No. | Part No.    | Description                     |
|---------|------------|---------------------------|---------|-------------|---------------------------------|
| 1       | 094199     | Pulley, Jackshaft         | 33      | 002x53      | Bolt, Carriage                  |
| 2       | 15x140     | Nut, Hex                  | 34      | 1001200     | Mandrell Housing                |
| 3       | 037x88     | Belt, Mower Drive         | 35      | 690539E700  | Bracket, Suspension             |
| 4       | 690387     | Pulley, Idler             | 36      | 690411      | Adapter, Blade                  |
| 5       | 015x84     | Nut, Flange               | 37      | 1001429E701 | Blade                           |
| 6       | 1001197    | Spacer, Pulley **         | 38      | 17x166      | Washer                          |
| 8       | 690212E700 | Link, Lift                | 39      | 17x165      | Washer                          |
| 9       | 094137     | Pad, Friction             | 40      | 15x100      | Nut                             |
| 10      | 009x52     | Bolt, Shoulder            | 41      | 166x4       | Spring                          |
| 11      | 094055E700 | Bracket, Suspension       | 42      | 028x23      | Cap, Push On                    |
| 12      | 094049E700 | Pad Assembly, Left Brake  | 43      | 094957 Z    | Rod, Deflector                  |
| 13      | 094068     | Knob                      | 44      | 094707 SE   | Deflector Assembly              |
| 14      | 009x51     | Bolt, Shoulder            | 45      | 094956E700  | Bracket, Deflector Hinge        |
| 15      | 094128E700 | Plate, Suspension         | 46      | 094686E701  | Bracket, Front Hanger           |
| 16      | 166x43     | Spring                    | 47      | 017x45      | Washer                          |
| 17      | 015x79     | Nut, Flange               | 48      | 094781      | Guide, Belt                     |
| 18      | 094192E700 | Bracket, Suspension       | 49      | 690369      | Spacer                          |
| 19      | 095194     | Pin, Hanger               | 50      | 094025      | Bolt, Axle                      |
| 20      | 017x91     | Washer                    | 51      | 017x91      | Washer                          |
| 21      | 0031x4     | Pin, Hair                 | 52      | 165x119     | Spring, Extension               |
| 22      | 0025x7     | Bolt                      | 53      | 092683      | Wheel, Gage                     |
| 23      | 094051E700 | Cover, Pulley             | 54      | 1001260E700 | Bracket, Right Wheel            |
| 24      | 009x39     | Bolt, Shoulder            | 55      | 092423E700  | Bracket, Left Wheel             |
| 25      | 690408E700 | Arm, Idler                | 57      | 26x249      | Screw                           |
| 26      | 166x41     | Spring                    | 58      | 094604E700  | Stiffener                       |
| 27      | 094047E700 | Pad Assembly, Right Brake | 59      | 094814E700  | Housing, Blade *                |
| 28      | 094193E700 | Bracket, Brake            | 60      | 031x11      | Ring, Locking                   |
| 29      | 166x42     | Spring                    | 61      | 015x98      | Nut, Flange                     |
| 30      | 094191E700 | Bracket, Suspension       | 1-61    | 7601032     | Complete Mower Housing Assembly |
| 31      | 092426E700 | Plate                     | 62      | 094066      | Guide, Belt                     |
| 32      | 015x88     | Nut, Flange               |         |             |                                 |

\* Includes Key No. 17, 18, 30, 31, 32, 33, 45, 46, 53, 54, 55, and 56.

\* \* This part is included when ordering Key number 34.

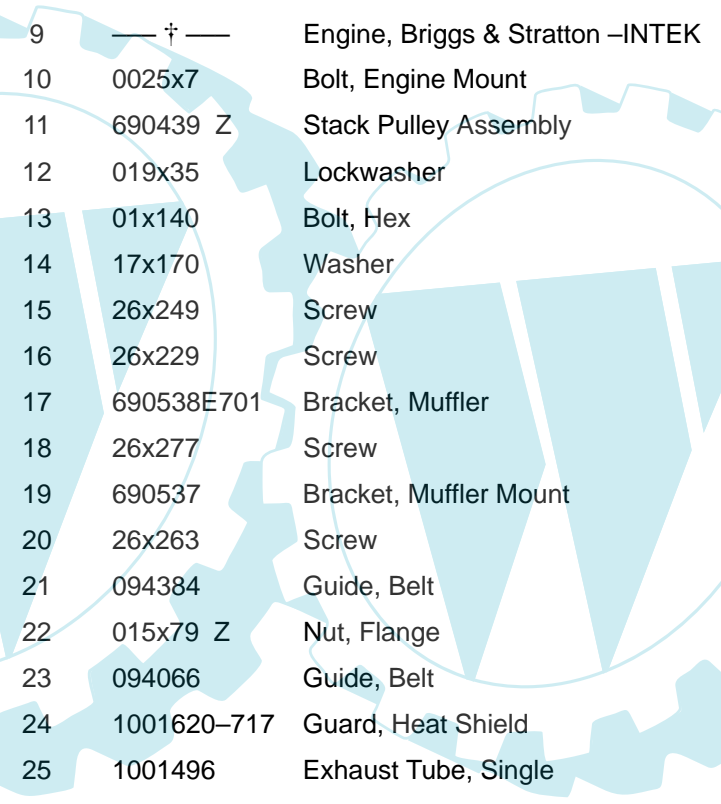
# MODEL 425615x52A

# REPAIR PARTS ENGINE MOUNT



# MODEL 425615x52A

# REPAIR PARTS ENGINE MOUNT



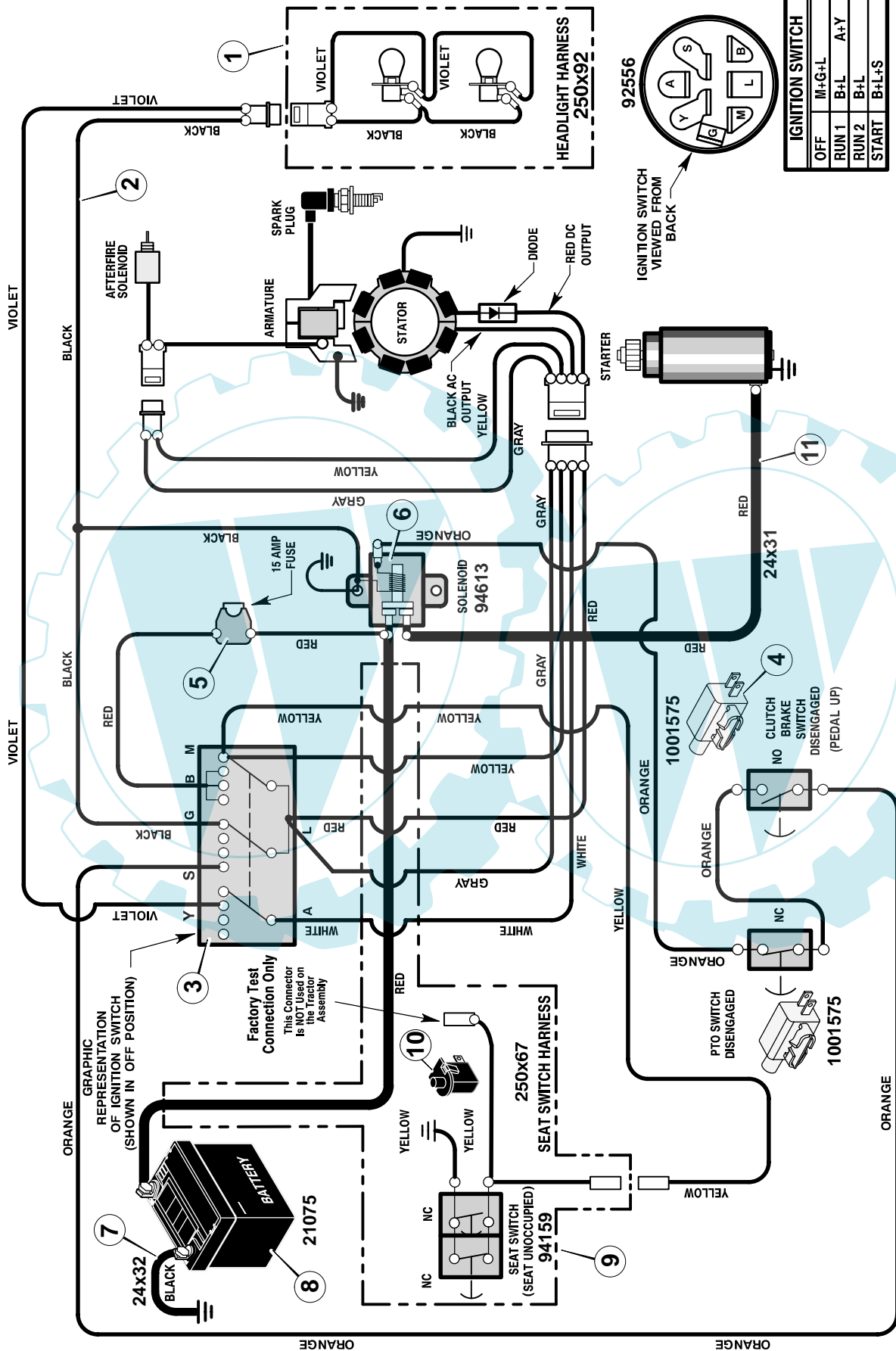
| Key No. | Part No.    | Description                           |
|---------|-------------|---------------------------------------|
| 1       | 092317      | Fuel Cap * *                          |
| 2       | 094073      | Fuel Tank                             |
| 3       | 095197      | Hose Clamp * *                        |
| 4       | 7601033     | Fuel Line (Must be cut to length) * * |
| 5       | 095197      | Hose Clamp * *                        |
| 6       | 26x201      | Screw                                 |
| 7       | 094006E700  | Plate, Engine                         |
| 8       | 092371      | Throttle Control                      |
| 9       | — † —       | Engine, Briggs & Stratton –INTEK      |
| 10      | 0025x7      | Bolt, Engine Mount                    |
| 11      | 690439 Z    | Stack Pulley Assembly                 |
| 12      | 019x35      | Lockwasher                            |
| 13      | 01x140      | Bolt, Hex                             |
| 14      | 17x170      | Washer                                |
| 15      | 26x249      | Screw                                 |
| 16      | 26x229      | Screw                                 |
| 17      | 690538E701  | Bracket, Muffler                      |
| 18      | 26x277      | Screw                                 |
| 19      | 690537      | Bracket, Muffler Mount                |
| 20      | 26x263      | Screw                                 |
| 21      | 094384      | Guide, Belt                           |
| 22      | 015x79 Z    | Nut, Flange                           |
| 23      | 094066      | Guide, Belt                           |
| 24      | 1001620–717 | Guard, Heat Shield                    |
| 25      | 1001496     | Exhaust Tube, Single                  |
| 26      | 26x253      | Screw                                 |
| 30      | 1001659–717 | Shield, Heat                          |
| 31      | 094654      | Muffler                               |
| 32      | 091309      | Gasket                                |
| 33      | 06x103      | Screw                                 |
| 35      | 325547      | Valve, Oil Drain                      |
| 36      | 327422      | Cap, Oil Drain                        |
| 37      | 1001660     | Plenum                                |
| 38      | 015x66      | Nut, Keps 1/4–20                      |

\*\* These parts are included with Key No. 2

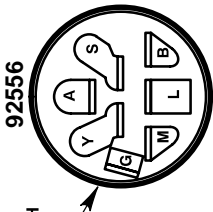
† For information on Replacement Parts for this engine contact the manufacturer.

MODEL 425615x52A

REPAIR PARTS  
ELECTRICAL SYSTEM



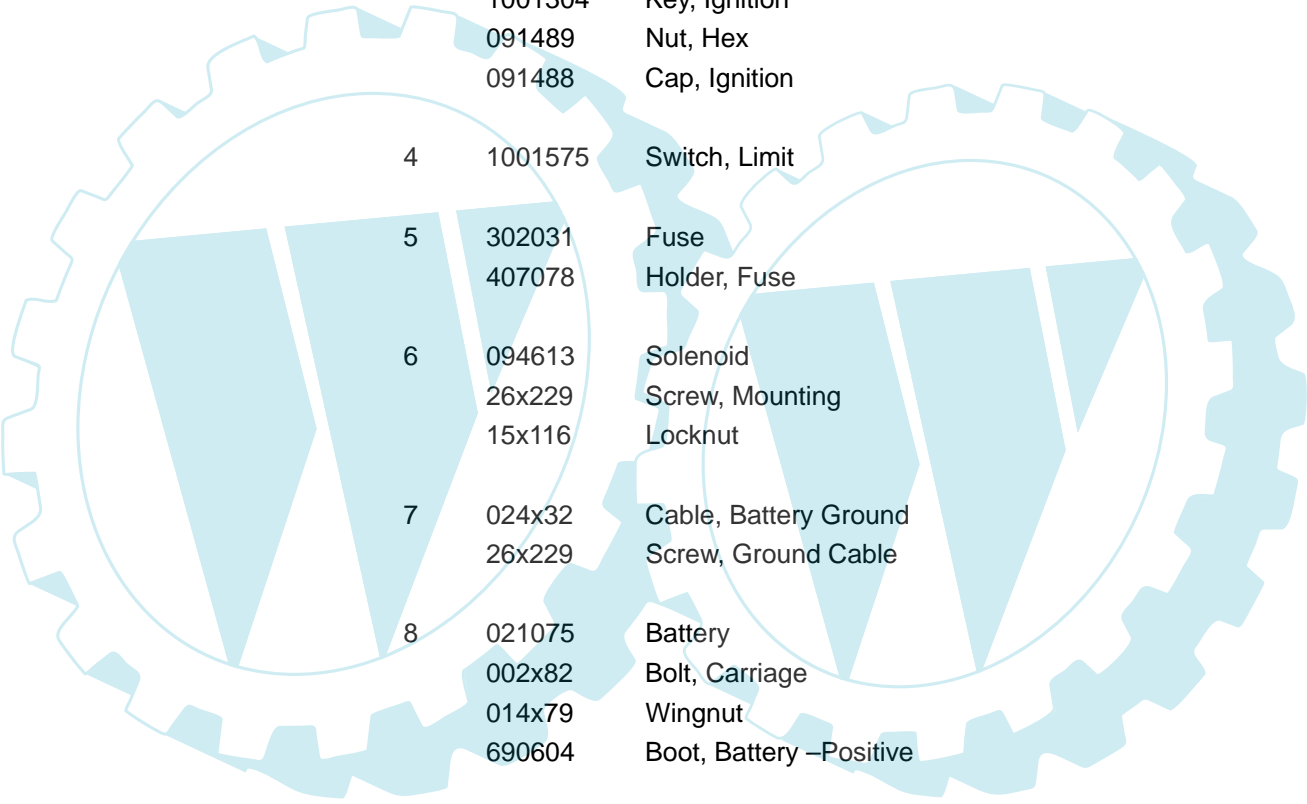
| IGNITION SWITCH |         |
|-----------------|---------|
| OFF             | M+G+L   |
| RUN 1           | B+L A+Y |
| RUN 2           | B+L     |
| START           | B+L+S   |



**MAIN HARNESS: 250x112**  
SEAT: 250x67; LIGHT : 250x92

# MODEL 425615x52A

# REPAIR PARTS ELECTRICAL SYSTEM



| Key No. | Part No. | Description               |
|---------|----------|---------------------------|
| 1       | 250x92   | Harness, Light Wire       |
|         | 1001716  | Socket, Light             |
|         | 090084   | Bulb, Light               |
| 2       | 250x112  | Harness, Chassis Wire     |
| 3       | 092556   | Switch, Ignition          |
|         | 1001304  | Key, Ignition             |
|         | 091489   | Nut, Hex                  |
|         | 091488   | Cap, Ignition             |
| 4       | 1001575  | Switch, Limit             |
| 5       | 302031   | Fuse                      |
|         | 407078   | Holder, Fuse              |
| 6       | 094613   | Solenoid                  |
|         | 26x229   | Screw, Mounting           |
|         | 15x116   | Locknut                   |
| 7       | 024x32   | Cable, Battery Ground     |
|         | 26x229   | Screw, Ground Cable       |
| 8       | 021075   | Battery                   |
|         | 002x82   | Bolt, Carriage            |
|         | 014x79   | Wingnut                   |
|         | 690604   | Boot, Battery –Positive   |
| 9       | 250x67   | Harness, Seat Switch Wire |
| 10      | 094159   | Switch, Seat Sensor       |
| 11      | 024x31   | Cable                     |