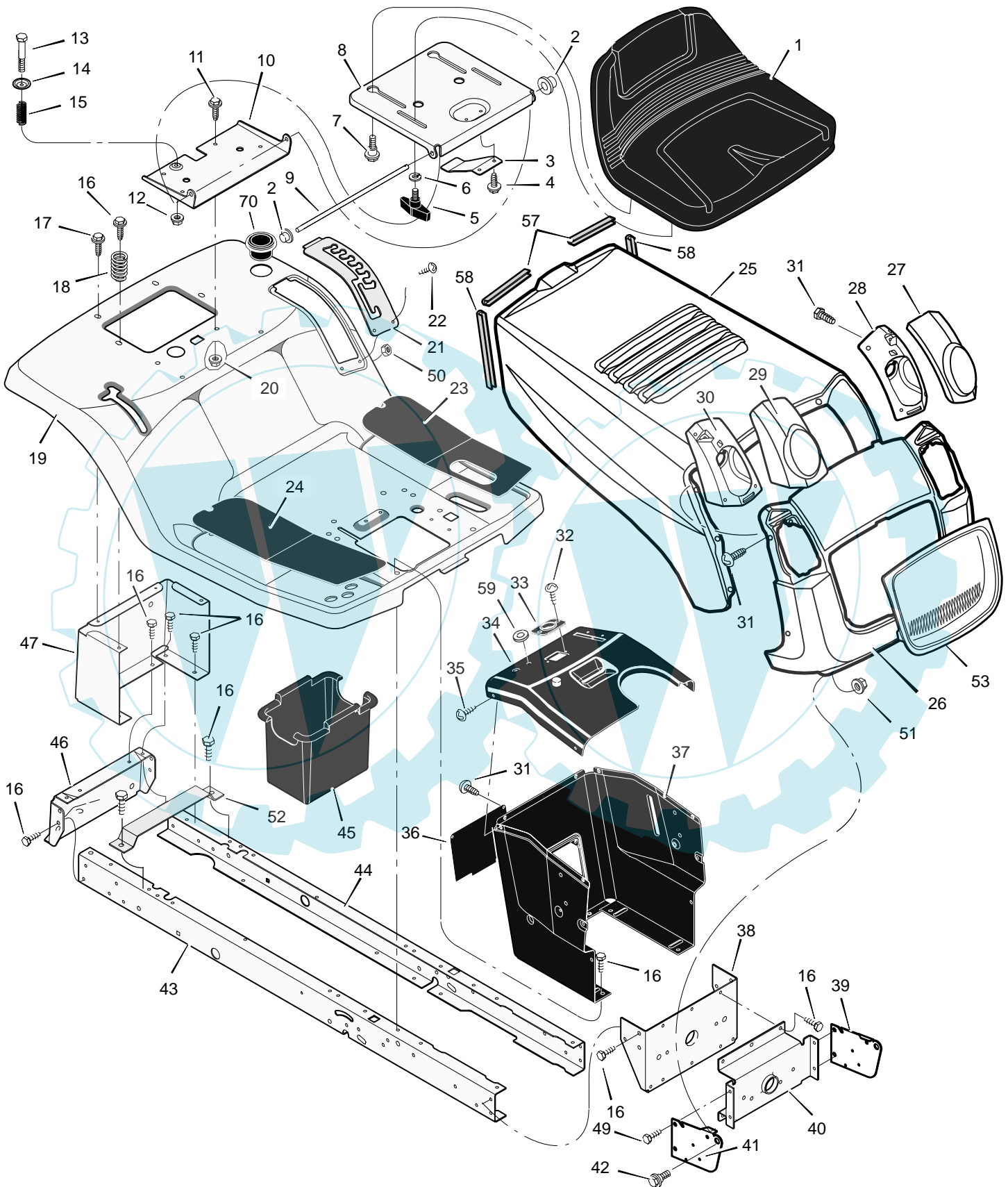


MODEL 385015x50C

REPAIR PARTS CHASSIS & HOOD



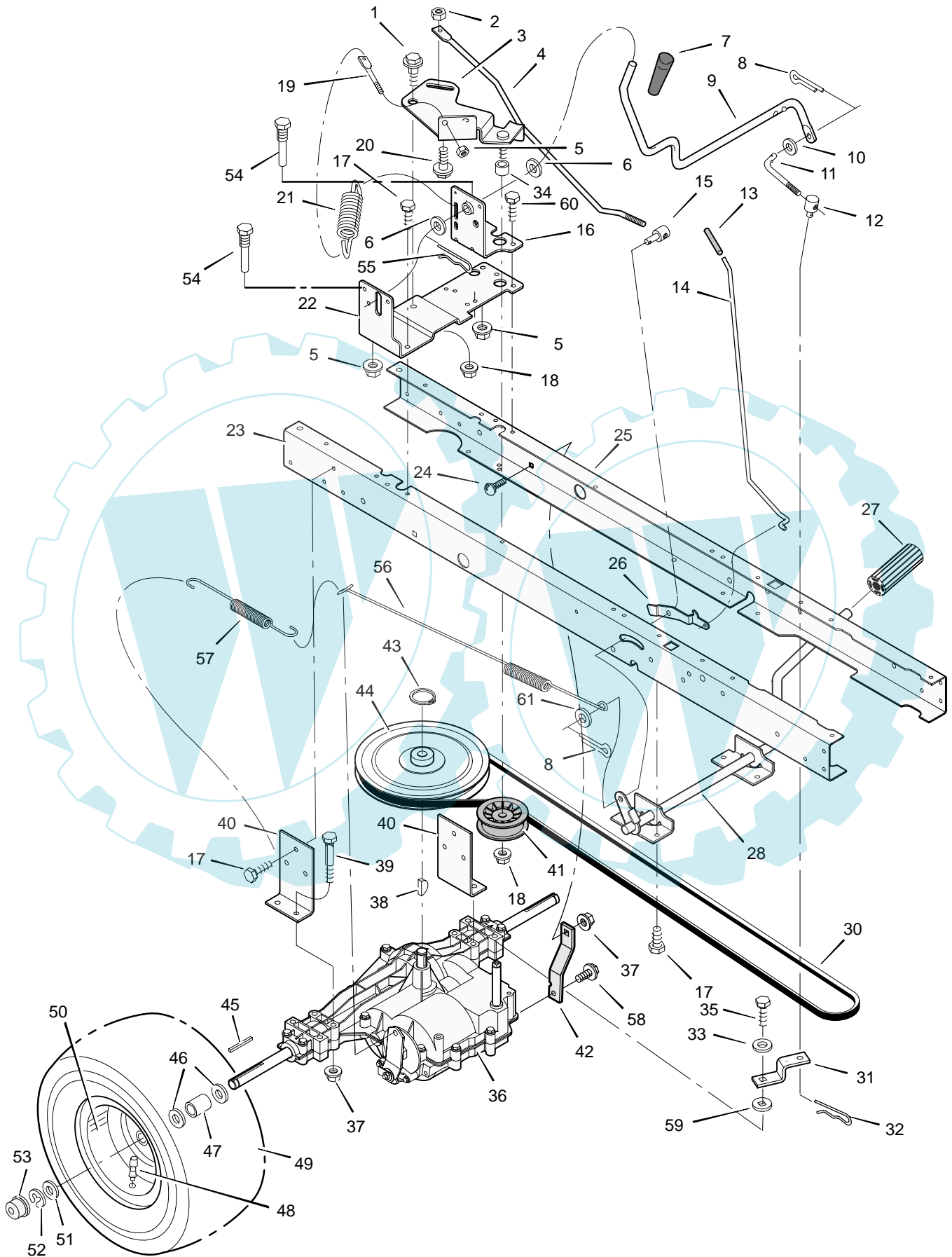
MODEL 385015x50C

REPAIR PARTS CHASSIS & HOOD

| Key No. | Description | Part No. | Key No. | Description | Part No. |
|---------|------------------------|-------------|---------|-------------------------------|-------------|
| 1 | Seat | 690567 | 30 | Housing, Right Headlamp | 1001543 |
| 2 | Cap, Push On | 028x23 | 31 | Screw | 26x270 |
| 3 | Spring | 094057 | 32 | Screw | 26x238 |
| 4 | Screw | 26x229 | 33 | Bearing, Steering | 1001491 |
| 5 | Bolt, Wing | 1001054 | 34 | Dash | 1001584E717 |
| 6 | Washer | 017x47 | 35 | Screw | 26x201 |
| 7 | Bolt, Shoulder | 009x56 | 36 | Panel, Access | 093007E701 |
| 8 | Support, Seat | 094154E701 | 37 | Support, Dash | 095318E717 |
| 9 | Rod, Pivot | 094156 Z | 38 | Bracket, Rear Hanger | 1001270E701 |
| 10 | Bracket, Pivot | 1001648E701 | 39 | Support, Left Grille | 094085E700 |
| 11 | Bolt | 001x45 | 40 | Axle, Hanger | 094007E700 |
| 12 | Nut | 015x89 | 41 | Support, Right Grille | 094084E701 |
| 13 | Bolt, Shoulder | 009x55 | 42 | Bolt, Shoulder | 009x58 |
| 14 | Washer | 094155 | 43 | Frame, Right | 1001928E701 |
| 15 | Spring | 164x31 | 44 | Frame, Left | 1001927E701 |
| 16 | Screw | 26x249 | 45 | Container, Battery | 690424 |
| 17 | Screw | 26x263 | 46 | Plate, Hitch | 1001002E701 |
| 18 | Spring | 164x30 | 47 | Panel, Rear | 690434E701 |
| 19 | Deck, Seat | 1001558E245 | 49 | Screw | 26x277 |
| 20 | Nut | 15x123 | 50 | Nut | 015x81 |
| 21 | Plate, Index | 094151E701 | 51 | Nut | 15x124 |
| 22 | Screw | 009x47 | 52 | Support, Battery | 690482E701 |
| 23 | Mat, Left | 094999 | 53 | Insert, Grille | 1001541 |
| 24 | Mat, Right | 094998 | 57 | Grommet, Parking Brake Rod | 1001755 |
| 25 | Hood | 1001538E245 | 58 | Trim, Hood (3.75") | 1001652 |
| 26 | Grille | 1001531E717 | 59 | Trim, Hood (6.5") | 1001653 |
| 27 | Lens, Left | 1001546 | 70 | Holder, Cup | 1001542 |
| 28 | Housing, Left Headlamp | 1001544 | — | Bag Assembly, Parts | 690650 |
| 29 | Lens, Right | 1001545 | — | Instruction Book & Parts List | F-040724L |

MODEL 385015x50C

REPAIR PARTS MOTION DRIVE



MODEL 385015x50C

REPAIR PARTS MOTION DRIVE

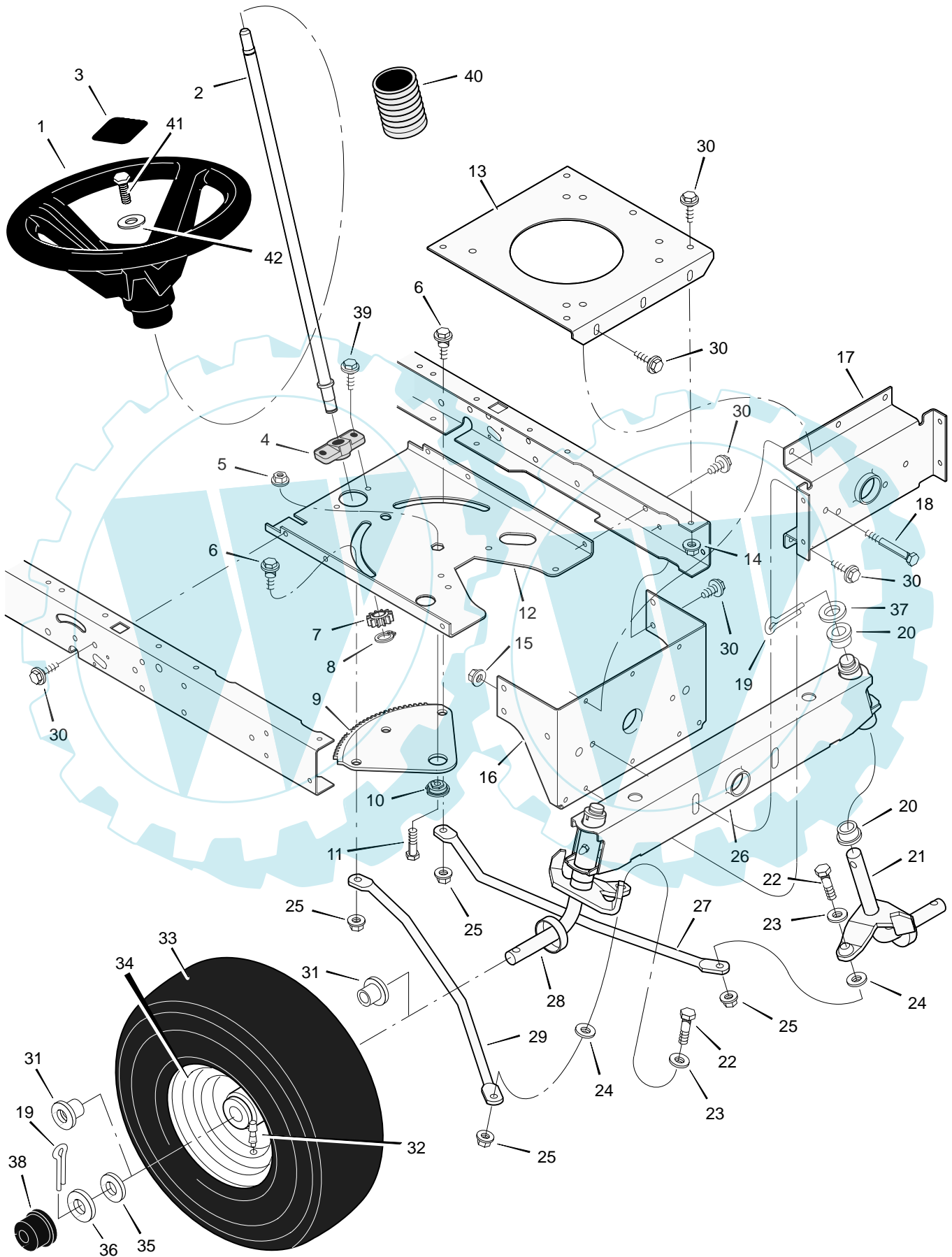
| Key No. | Description | Part No. | Key No. | Description | Part No. |
|---------|------------------------|-------------|---------|----------------------------|------------|
| 1 | Bolt, Shoulder | 009x39 | 33 | Washer | 017x38 |
| 2 | Nut, Hex | 015x89 | 34 | Spacer | 690369 |
| 3 | Arm, Idler | 690273E701 | 35 | Bolt | 06x105 |
| 4 | Rod, Clutch | 094041 Z | 36 | Transaxle, Peerless | — ** — |
| 5 | Nut | 015x79 | 37 | Nut | 015x88 |
| 6 | Washer | 17x102 | 38 | Key, Woodruff | 020697 |
| 7 | Grip | 092697 | 39 | Bolt | 01x155 |
| 8 | Pin, Cotter | 030x20 | 40 | Bracket, Transaxle | 094008E701 |
| 9 | Lever, Shift | 094043 Z | 41 | Pulley | 690409 |
| 10 | Washer | 017x47 | 42 | Bracket, Transaxle Support | 094433 |
| 11 | Link, Shift | 094044 Z | 43 | Ring Retainer | 0011x7 |
| 12 | Nut, Adjuster | 021920 Z | 44 | Pulley, Drive | 095094 |
| 13 | Grip | 091079 | 45 | Key, Square | 021553 |
| 14 | Rod, Parking Brake | 1001245 Z | 46 | Washer | 17x160 |
| 15 | Nut, Adjuster | 094815 Z | 47 | Spacer, Transaxle | 690554 Z |
| 16 | Bracket, Shift Pivot | 1001303 Z | 48 | Stem, Valve | 024373 |
| 17 | Screw | 26x249 | 49 | Tire * | 091923 |
| 18 | Nut | 015x84 | — | Tube | 407049 |
| 19 | Mount, Stud Spring | 094042 Z | 50 | Wheel & Tire Assembly | 092288-601 |
| 20 | Bolt, Shoulder | 009x54 | 51 | Washer | 17x195 |
| 21 | Spring, Extension | 165x116 | 52 | E-Ring | 0011x3 |
| 22 | Bracket, Right Shifter | 1001302E701 | 53 | Hub Cap | 094618 |
| 23 | Frame, Right | 1001928E701 | 54 | Guide, Belt | 093349 |
| 24 | Bolt, Carriage | 002x53 | 55 | Pin, Hair | 0031x4 |
| 25 | Frame, Left | 1001927E701 | 56 | Spring, Extension | 165x115 |
| 26 | Latch, Parking Brake | 094045 Z | 57 | Spring, Extension | 165x92 |
| 27 | Pedal | 021544 | 58 | Screw | 26x216 |
| 28 | Lever, Brake/Clutch | 094038E700 | 59 | Washer | 17x148 |
| 30 | Belt, Motion Drive | 037x87 | 60 | Screw | 26x267 |
| 31 | Yoke, Shift | 094031 Z | 61 | Washer | 17x169 |
| 32 | Pin, Hair | 0031x6 | | | |

* When you order a tire, make sure to give the brand name of the tire so that the tread pattern on the tire will match.

** For information on Replacement Parts for this transaxle contact the manufacturer.

MODEL 385015x50C

REPAIR PARTS
STEERING



MODEL 385015x50C

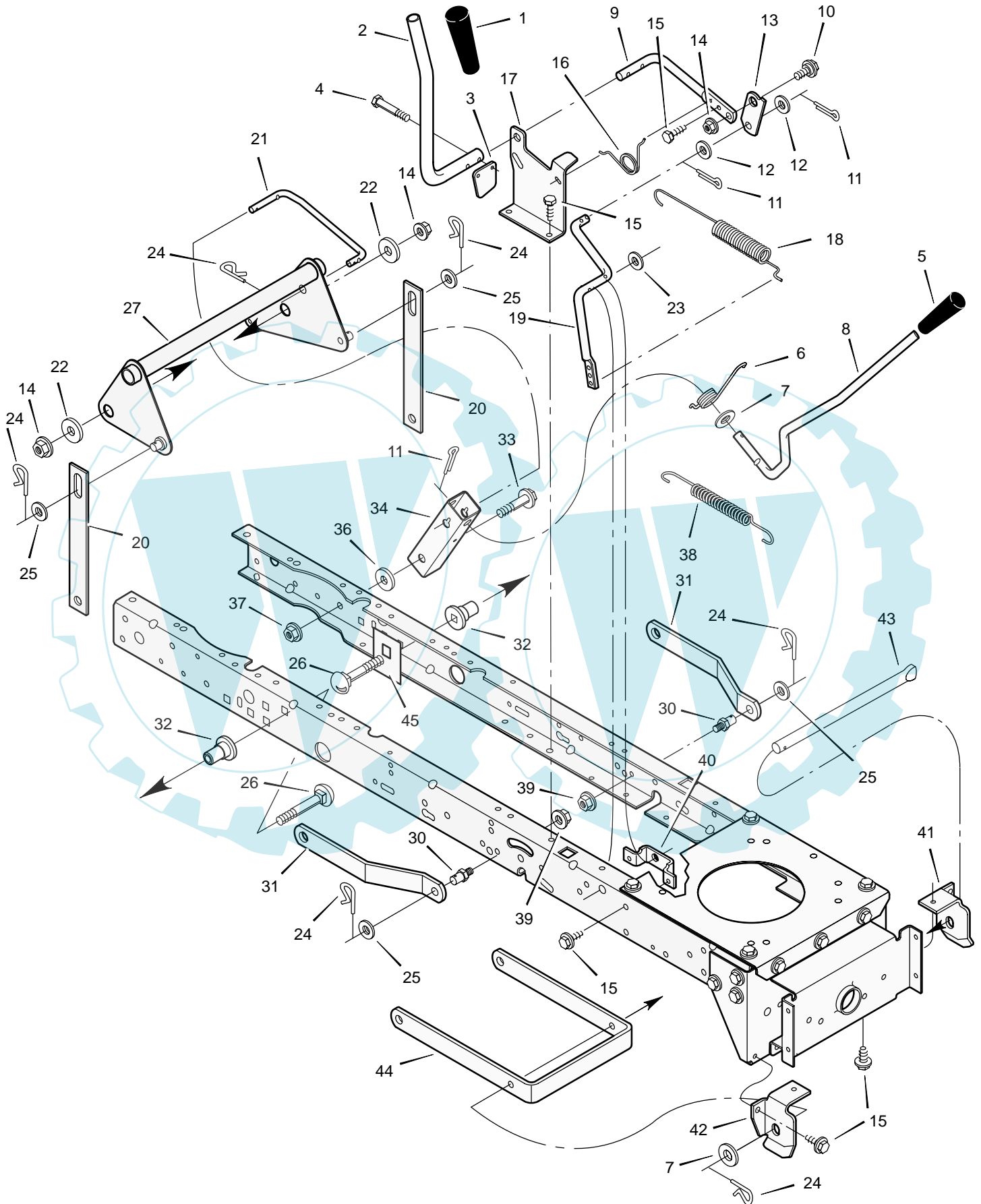
REPAIR PARTS STEERING

| Key No. | Description | Part No. | Key No. | Description | Part No. |
|---------|------------------------|-------------|---------|-------------------------|------------|
| 1 | Wheel, Steering | 095184 | 23 | Washer | 17x104 |
| 2 | Post, Steering | 690625 | 24 | Washer | 017x53 Z |
| 3 | Insert, Steering Wheel | 711325 | 25 | Nut, Flange | 015x84 |
| 4 | Bearing | 094124 | 26 | Axle Assembly | 7601037 |
| 5 | Nut, Flange | 15x111 | 27 | Drag Link, Left | 095329E701 |
| 6 | Bolt, Shoulder | 009x57 | 28 | Spindle Assembly, Right | 094575E701 |
| 7 | Gear, Pinion | 690183 | 29 | Drag Link, Right | 095328E701 |
| 8 | Ring, Snap | 011x25 | 30 | Screw | 26x249 |
| 9 | Gear, Sector | 094121 | 31 | Bearing, Wheel | 091334 |
| 10 | Bearing | 094123 | 32 | Stem, Valve | 024373 |
| 11 | Bolt | 001x84 | 33 | Tire * | |
| 12 | Plate, Steering | 1001121E701 | — | Tube | 407046 |
| 13 | Plate, Engine | 094006E700 | 34 | Wheel and Tire Assembly | 094578-601 |
| 14 | Nut, Flange | 015x88 | 35 | Washer | 17x195 |
| 15 | Nut, Flange | 15x118 | 36 | Washer | 17x113 |
| 16 | Bracket, Hanger | 1001270E701 | 37 | Washer | 017x83 |
| 17 | Axle, Hanger | 094007E701 | 38 | Hub Cap | 094618 |
| 18 | Bolt | 01x146 | 39 | Screw | 26x267 |
| 19 | Pin, Cotter | 030x49 | 40 | Bellows | 054789 |
| 20 | Bearing | 690150 | 41 | Bolt | 0025x3 |
| 21 | Spindle Assembly, Left | 094576E701 | 42 | Washer | 17x146 |
| 22 | Bolt | 01x111 | | | |

* When you order a tire, make sure to give the brand name of the tire so that the tread pattern on the tire will match.

MODEL 385015x50C

REPAIR PARTS MOWER HOUSING SUSPENSION



MODEL 385015x50C

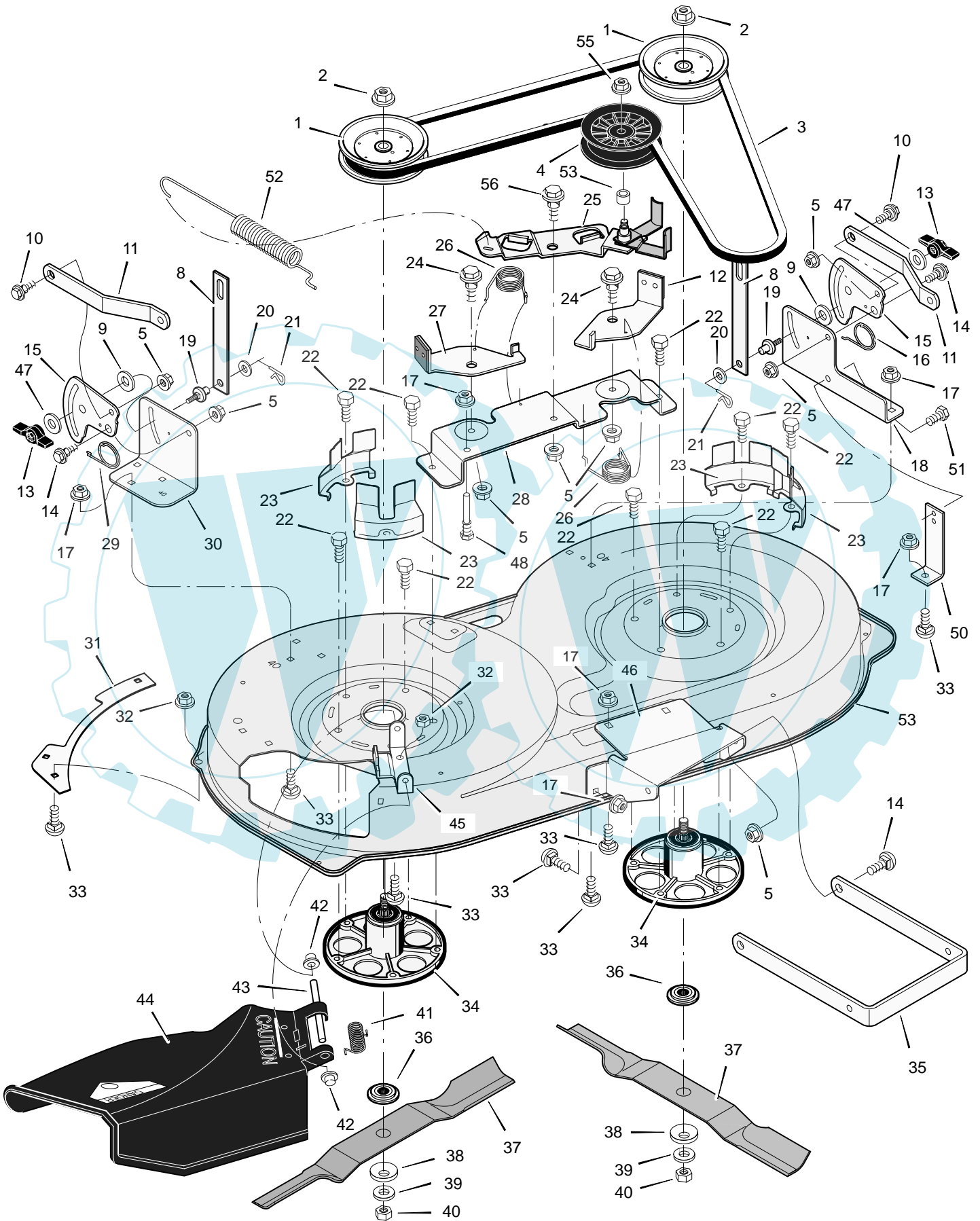
**REPAIR PARTS
MOWER HOUSING SUSPENSION**



| Key No. | Description | Part No. | Key No. | Description | Part No. |
|----------------|--------------------|-----------------|----------------|--------------------------|-----------------|
| 1 | Grip | 092698 | 22 | Washer | 17x168 |
| 2 | Handle, PTO | 094157 Z | 23 | Washer | 017x57 |
| 3 | Pad, Switch | 094022 Z | 24 | Pin, Hair | 0031x4 |
| 4 | Bolt | 0025x3 | 25 | Washer | 017x91 |
| 5 | Grip | 092697 | 26 | Bolt, Carriage | 002x85 |
| 6 | Spring | 166x40 | 27 | Lever Assembly, Lift | 1001111E700 |
| 7 | Washer | 17x103 | 30 | Pin | 094067 |
| 8 | Handle, Lift | 690533 | 31 | Bracket, Rear Suspension | 094055E701 |
| 9 | Lever, PTO | 094017 Z | 32 | Spacer, Lifter | 690151 |
| 10 | Bolt, Shoulder | 009x39 | 33 | Bolt, Shoulder | 009x53 |
| 11 | Pin, Cotter | 030x20 | 34 | Bracket, Pivot | 094015E700 |
| 12 | Washer | 017x57 | 36 | Washer | 17x191 |
| 13 | Link, PTO | 094004 Z | 37 | Nut, Flange | 015x84 |
| 14 | Nut, Flange | 015x84 | 38 | Spring | 165x131 |
| 15 | Screw | 26x249 | 39 | Nut, Flange | 015x68 |
| 16 | Spring | 166x39 | 40 | Bracket, PTO | 094005E701 |
| 17 | Bracket, PTO | 094018E701 | 41 | Hanger, Left Deck | 094027E701 |
| 18 | Spring | 165x118 | 42 | Hanger, Right Deck | 094026E700 |
| 19 | Crank, PTO | 690394E701 | 43 | Rod, Hanger | 094158 Z |
| 20 | Link, Lift | 690212E701 | 44 | Bracket, Suspension | 690539E701 |
| 21 | Link, Lift Handle | 690122 Z | 45 | Plate, Stiffening | 1001098E701 |

MODEL 385015x50C

REPAIR PARTS MOWER HOUSING



MODEL 385015x50C

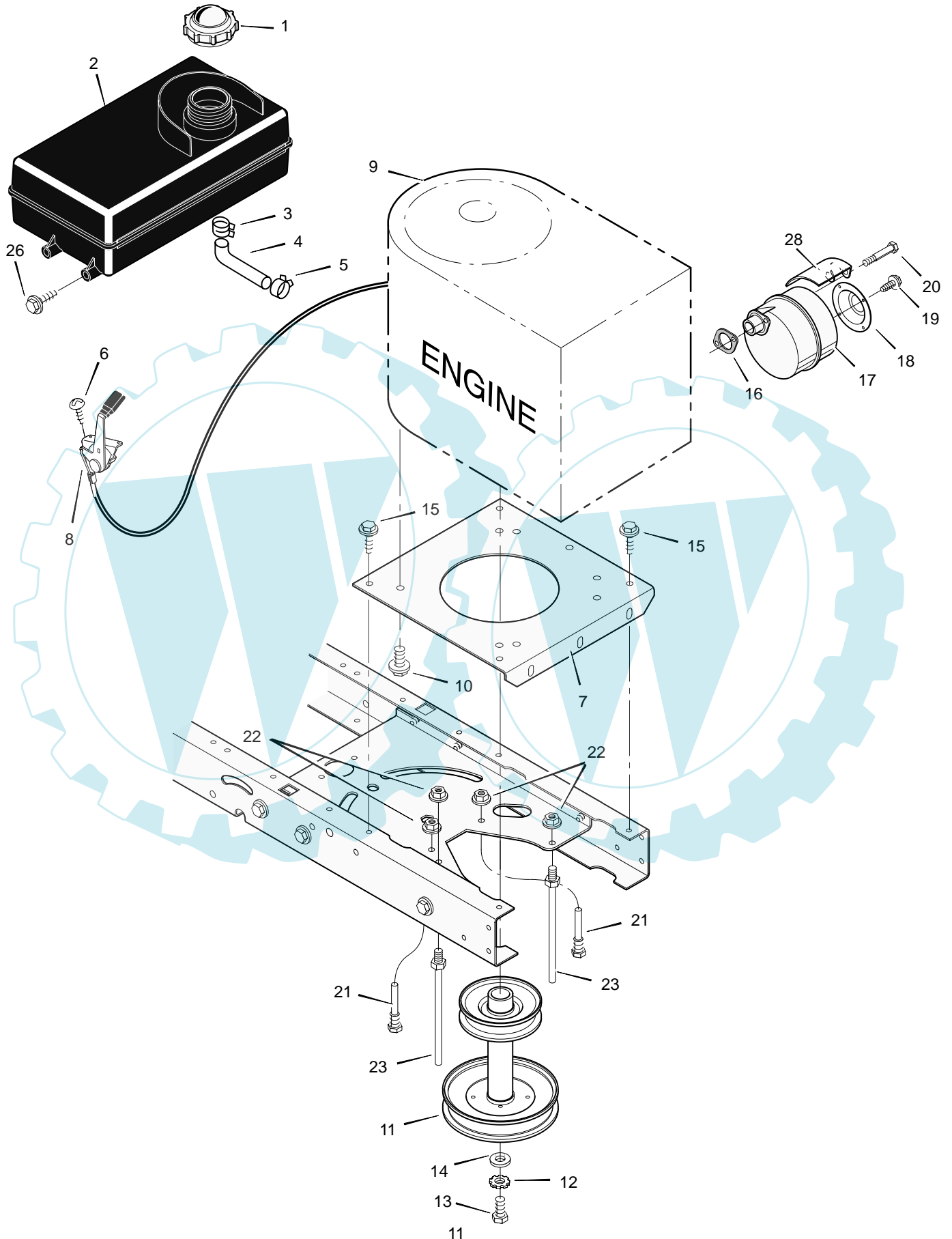
REPAIR PARTS MOWER HOUSING

| Key No. | Description | Part No. | Key No. | Description | Part No. |
|---------|---------------------------|------------|---------|---------------------------------|-------------|
| 1 | Pulley, Jackshaft | 092852 | 30 | Bracket, Right Suspension | 094052E701 |
| 2 | Nut, Hex | 15x140 | 31 | Plate | 091770E700 |
| 3 | Belt, Mower Drive | 037x86 | 32 | Nut, Flange | 015x88 |
| 4 | Pulley, Idler | 690387 | 33 | Bolt, Carriage | 002x53 |
| 5 | Nut, Flange | 015x84 | 34 | Mandrell | 1001200 |
| 8 | Link, Lift | 690212E701 | 35 | Bracket, Suspension | 690539E701 |
| 9 | Pad, Friction | 094137 | 36 | Adapter, Blade | 690411 |
| 10 | Bolt, Shoulder | 009x52 | 37 | Blade | 1001427E701 |
| 11 | Bracket, Suspension | 094055E701 | 38 | Washer | 17x166 |
| 12 | Pad Assembly, Left Brake | 094049E701 | 39 | Washer | 17x165 |
| 13 | Knob | 094068 | 40 | Nut | 15x100 |
| 14 | Bolt, Shoulder | 009x51 | 41 | Spring | 166x4 |
| 15 | Plate, Suspension | 094128E700 | 42 | Cap, Push On | 028x23 |
| 16 | Spring | 166x43 | 43 | Rod, Pivot | 094957 Z |
| 17 | Nut, Flange | 015x79 | 44 | Deflector Assembly | 094707 |
| 18 | Bracket, Left Suspension | 094054E700 | 45 | Bracket, Deflector | 094956E701 |
| 19 | Pin, Hanger | 095194 | 46 | Bracket, Front Hanger | 094062E700 |
| 20 | Washer | 017x91 | 47 | Washer | 017x45 |
| 21 | Pin, Cotter | 0031x4 | 48 | Guide, Belt | 094781 |
| 22 | Bolt | 0025x7 | 50 | Bracket, Support | 094681E700 |
| 23 | Cover, Pulley | 094051E701 | 51 | Screw | 26x249 |
| 24 | Bolt, Shoulder | 009x39 | 52 | Spring, Extension | 165x118 |
| 25 | Arm, Idler | 1001499 | 53 | Spacer | 690369 |
| 26 | Spring | 166x41 | 54 | Housing, Blade * | 094061E700 |
| 27 | Pad Assembly, Right Brake | 094047E701 | 55 | Nut, Flange | 015x98 |
| 28 | Bracket Assembly, Brake | 094059E700 | 56 | Bolt, Shoulder | 009x72 |
| 29 | Spring | 166x42 | 1-56 | Complete Mower Housing Assembly | 776000 |

* Includes Key No. 17, 18, 30, 31, 32, 33, 45, 46, 47 and 51.

MODEL 385015x50C

REPAIR PARTS
ENGINE MOUNT



MODEL 385015x50C

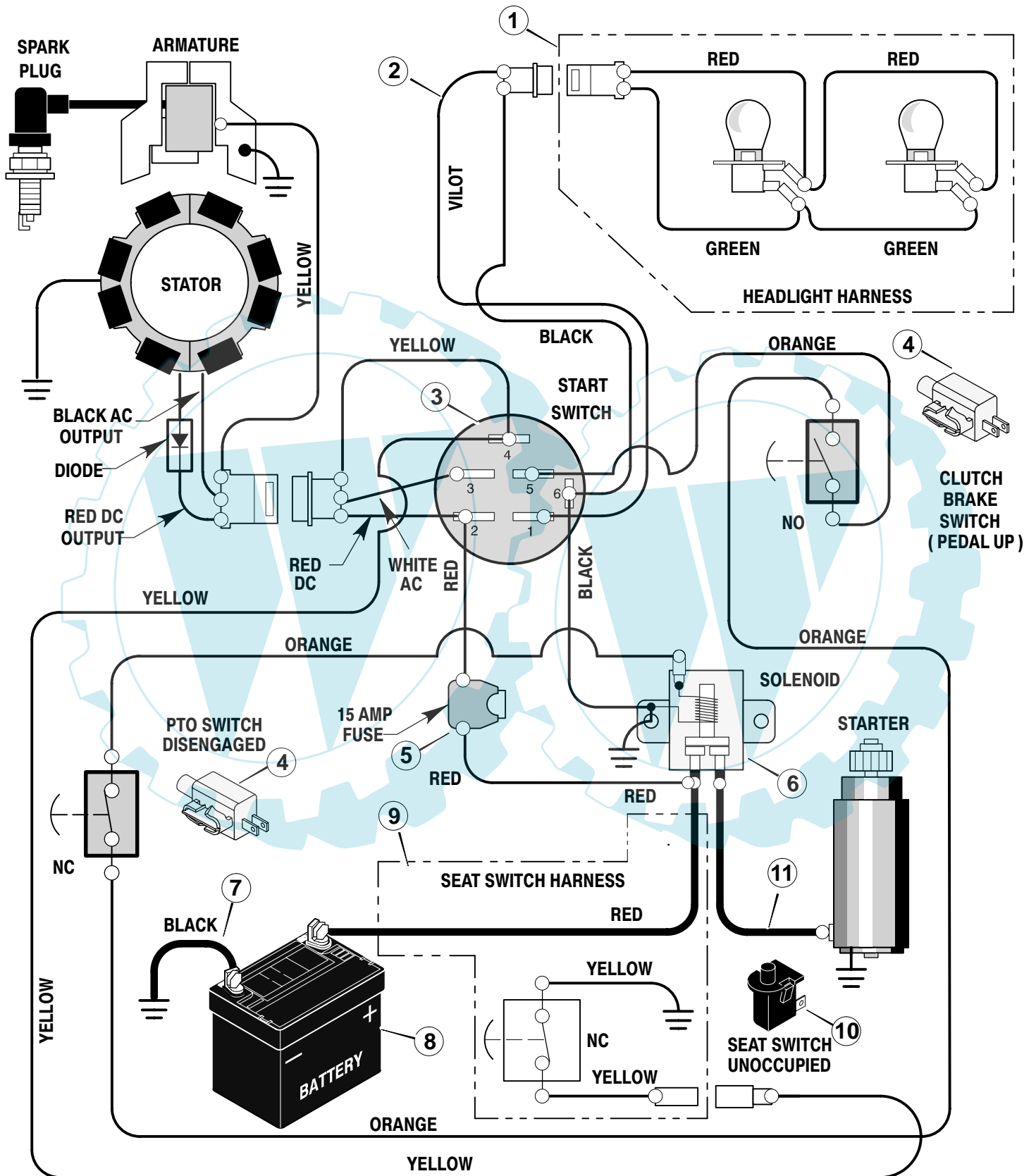
**REPAIR PARTS
ENGINE MOUNT**

| Key No. | Description | Part No. |
|---------|--|------------|
| 1 | Fuel Cap (Incl'd w/Key 2) | 092317 |
| 2 | Fuel Tank | 690280 |
| 3 | Hose Clamp (Incl'd w/Key 2) | 095197 |
| 4 | Fuel Line (Incl'd w/Key 2) (Must cut to Length) | 7601033 |
| 5 | Hose Clamp | 095197 |
| 6 | Screw | 26x201 |
| 7 | Plate, Engine | 094006E700 |
| 8 | Throttle Control | 092371 |
| 9 | Engine, Briggs & Stratton | — * — |
| 10 | Bolt, Engine Mount | 0025x7 |
| 11 | Stack Pulley Assembly | 690439 Z |
| 12 | Lockwasher | 019x35 |
| 13 | Bolt, Hex | 01x140 |
| 14 | Washer | 17x170 |
| 15 | Screw | 26x249 |
| 16 | Gasket | 091309 |
| 17 | Muffler | 091271 |
| 18 | Deflector, Muffler | 094099 Z |
| 19 | Screw | 26x208 |
| 20 | Bolt, Hex | 01x134 |
| 21 | Guide, Belt | 093349 |
| 22 | Nut, Flange | 015x79 |
| 23 | Guide, Belt | 094066 |
| 26 | Screw | 26x253 |
| 27 | Screw | 26x263 |
| 28 | Shield, Heat | 091277 |

* For information on Replacement Parts for this engine contact the manufacturer.

MODEL 385015x50C

REPAIR PARTS ELECTRICAL SYSTEM



MODEL 385015x50C

**REPAIR PARTS
ELECTRICAL SYSTEM**

| Key No. | Description | Part No. |
|---------|---------------------------|----------|
| 1 | Harness, Light Wire | 250x92 |
| | Socket, Light | 1001716 |
| | Bulb, Light | 090084 |
| 2 | Harness, Chassis Wire | 250x113 |
| 3 | Switch, Ignition | 092377 |
| | Key, Ignition | 020729 |
| | Nut, Hex | 091489 |
| | Cap, Ignition | 091488 |
| 4 | Switch, Limit | 1001575 |
| 5 | Fuse | 302031 |
| | Holder, Fuse | 407078 |
| 6 | Solenoid | 094613 |
| | Screw, Mounting | 26x229 |
| | Locknut | 15x116 |
| 7 | Cable, Battery Ground | 024x32 |
| | Screw, Ground Cable | 26x229 |
| 8 | Battery | 021075 |
| | Bolt, Carriage | 002x82 |
| | Wingnut | 014x79 |
| | Boot, Battery –Positive | 690604 |
| 9 | Harness, Seat Switch Wire | 250x67 |
| 10 | Switch, Seat Sensor | 094159 |
| 11 | Cable | 024x31 |