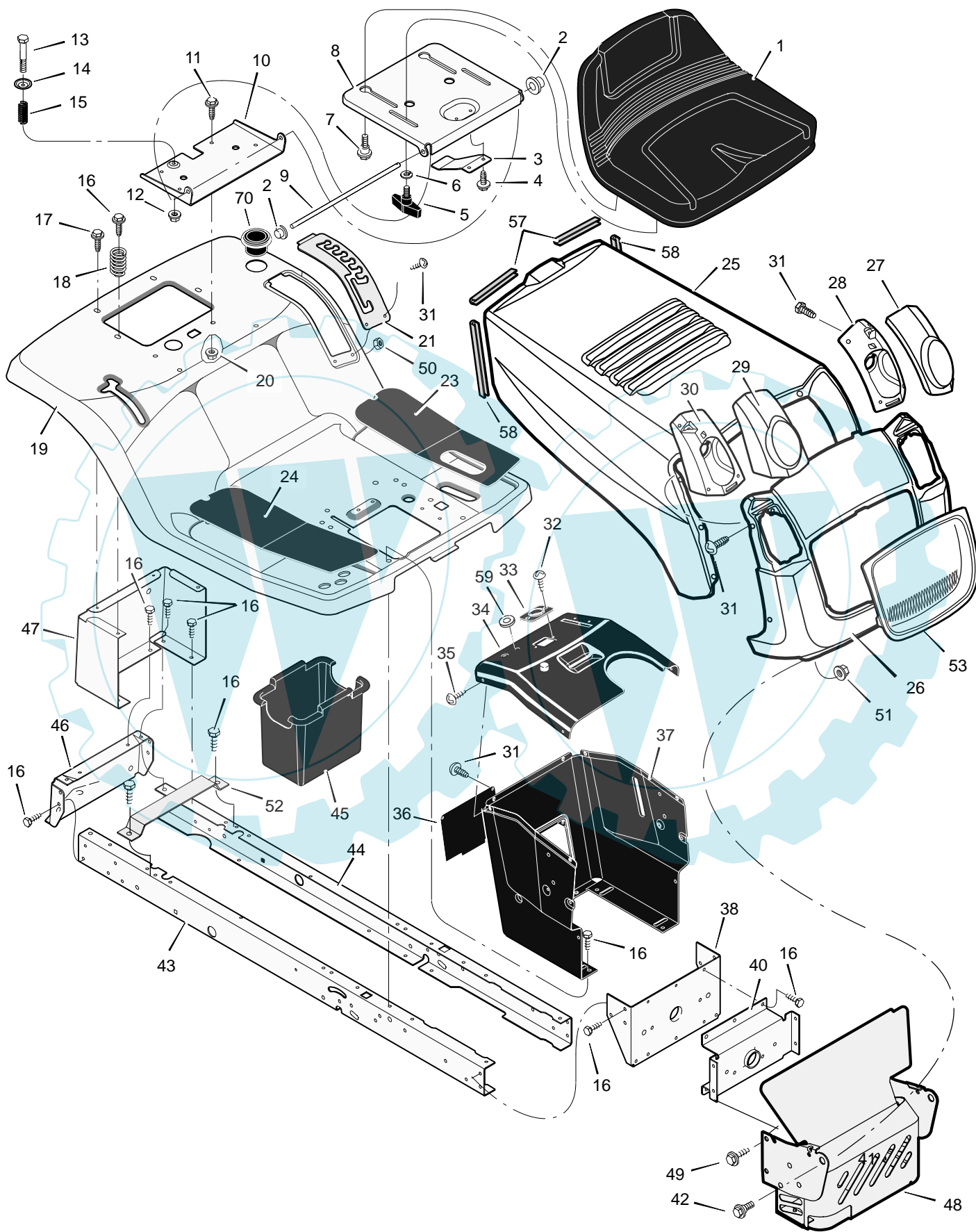


# MODEL 385000x68A

# REPAIR PARTS CHASSIS & HOOD



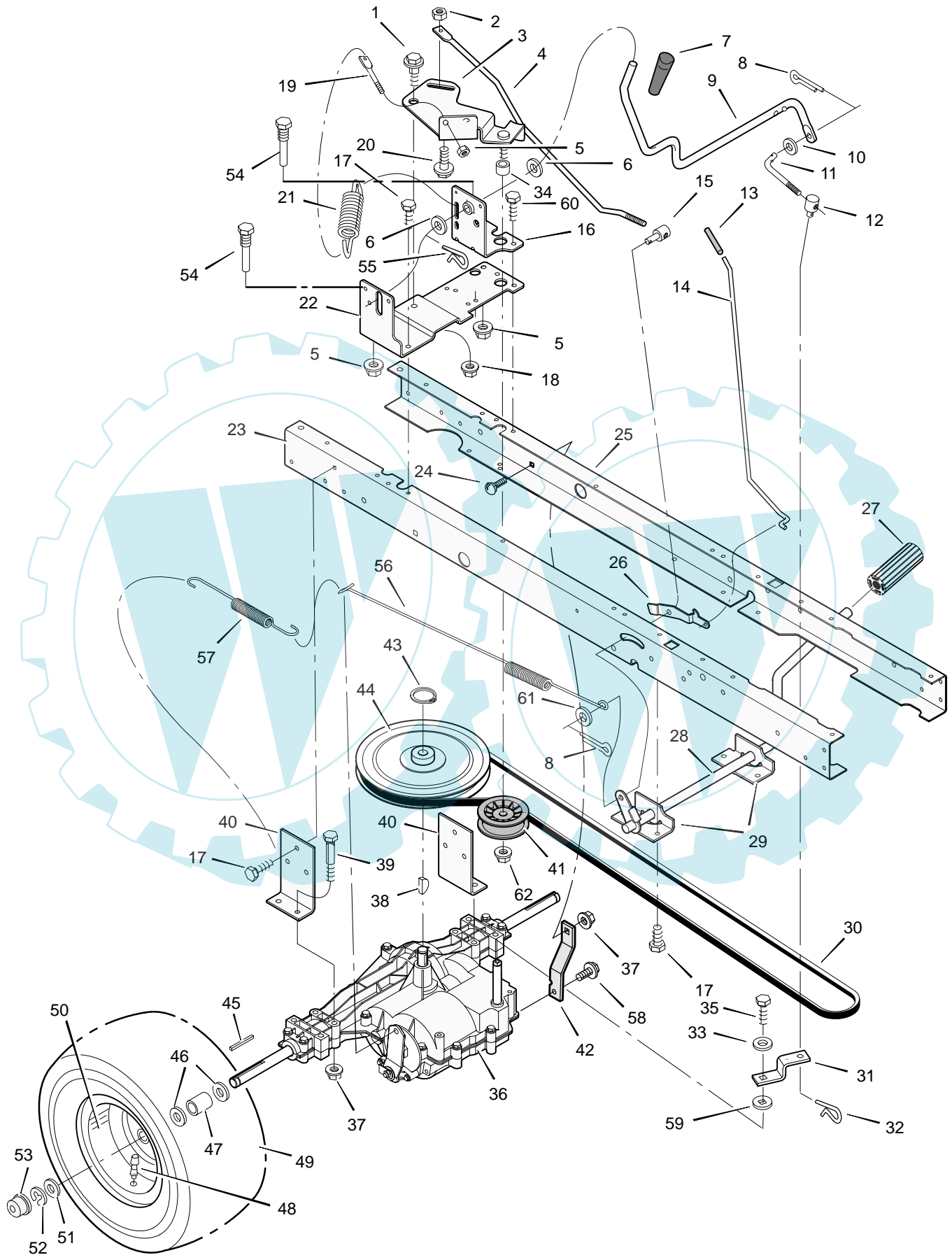
# MODEL 385000x68A

# REPAIR PARTS CHASSIS & HOOD

Key No.	Part No.	Description	Key No.	Part No.	Description
1	690566	Seat	30	1001543E700	Housing, Right Headlamp
2	028x23	Cap, Push On	31	26x270	Screw
3	094057	Spring	32	26x238	Screw
4	26x229	Screw	33	1001491	Bearing, Steering
5	1001054	Bolt, Wing	34	1001584E701	Dash
6	017x47	Washer	35	26x201	Screw
7	009x56	Bolt, Shoulder	36	093007E701	Panel, Access
8	094154E701	Support, Seat	37	095318E701	Support, Dash
9	094156 Z	Rod, Pivot	38	1001270E701	Bracket, Rear Hanger
10	1001648E701	Bracket, Pivot	40	094007E701	Axle, Hanger
11	001x45	Bolt	42	009x58	Bolt
12	015x89	Nut	43	1001928E701	Frame, Right
13	009x55	Bolt, Shoulder	44	1001927E701	Frame, Left
14	094155 Z	Washer	45	690424	Container, Battery
15	164x31	Spring	46	1001002E701	Plate, Hitch
16	26x249	Screw	47	690434E701	Panel, Rear
17	26x263	Screw	48	1001619-701	Shield, Heat
18	164x30	Spring	49	26x277	Screw
19	1001558E700	Deck, Seat	50	015x81	Nut
20	15x123	Nut	51	15x124	Nut
21	094829E700	Plate, Index Detent	52	690482E701	Support, Battery
23	094999	Mat, Left	53	1001540	Insert, Grille
24	094998	Mat, Right	57	1001652	Trim, Hood (3.75")
25	1001538E700	Hood	58	1001653	Trim, Hood (6.5")
26	1001531E700	Grille	59	1001755	Grommet, Parking Brake
27	1001546	Lens, Left	70	1001542	Holder, Cup
28	1001544E700	Housing, Left Headlamp	—	690651	Bag Assembly, Parts
29	1001545	Lens, Right	—	F-040727L	Instruction Book & Parts List

MODEL 385000x68A

REPAIR PARTS  
MOTION DRIVE



F-040727L

# MODEL 385000x68A

# REPAIR PARTS MOTION DRIVE

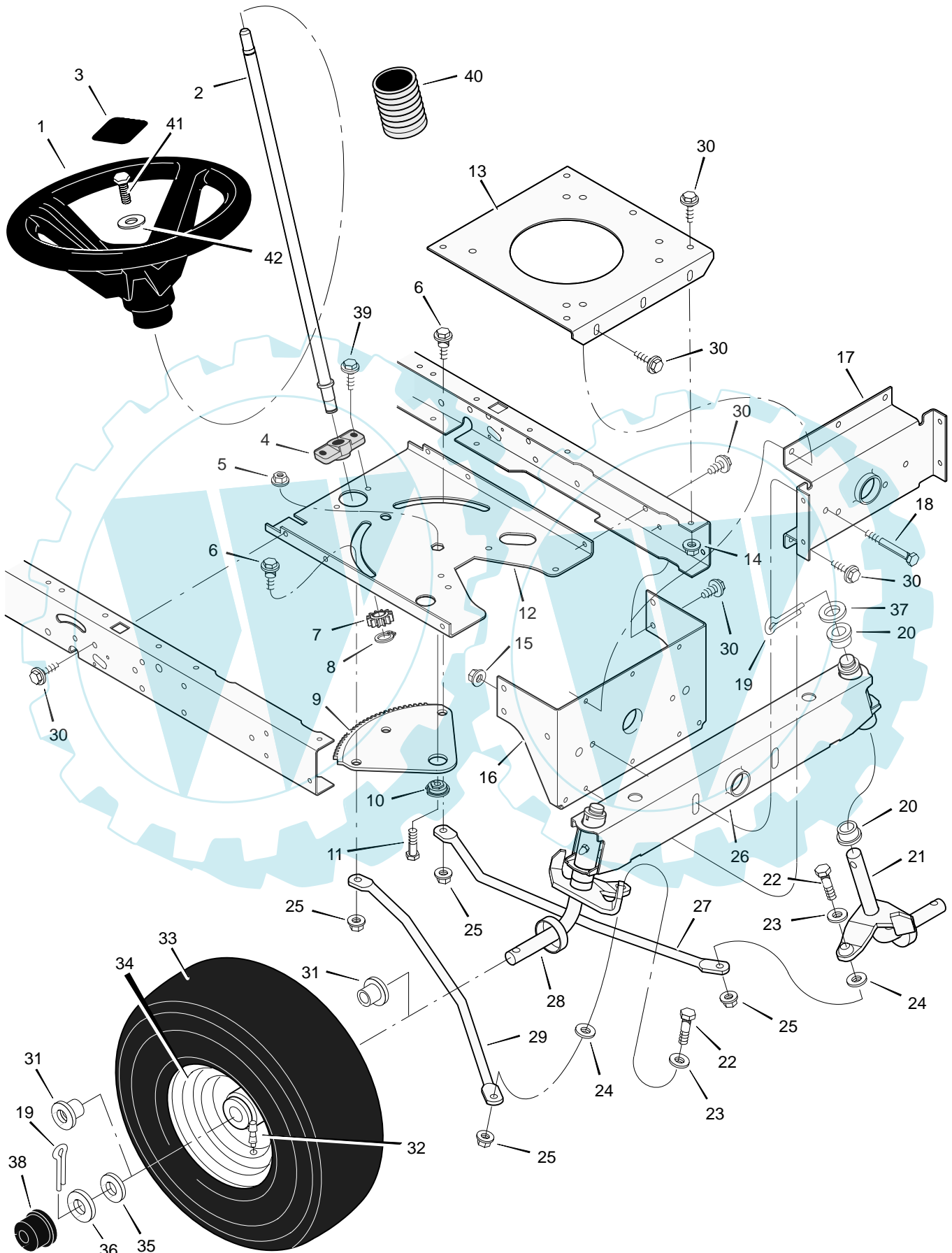
Key No.	Part No.	Description	Key No.	Part No.	Description
1	009x39	Bolt, Shoulder	33	017x38	Washer
2	015x89	Nut, Hex	34	690369	Spacer
3	690173E701	Arm, Idler	35	06x105	Bolt
4	094041 Z	Rod, Clutch	36	— ** —	Transaxle, Peerless
5	015x79	Nut	37	015x88	Nut
6	17x102	Washer	38	020697	Key, Woodruff
7	092697	Grip	39	01x155	Bolt
8	030x20	Pin, Cotter	40	094008E701	Bracket, Transaxle
9	094043 Z	Lever, Shift	41	690409	Pulley
10	017x47	Washer	42	094433	Bracket, Transaxle Support
11	094044 Z	Link, Shift	43	0011x7	Ring Retainer
12	021920 Z	Nut, Adjuster	44	095094	Pulley, Drive
13	091079	Grip	45	021553	Key, Square
14	1001245 Z	Rod, Parking Brake	46	17x160	Washer
15	094815 Z	Nut, Adjuster	47	690554 Z	Spacer, Transaxle
16	1001303 Z	Bracket, Shift Pivot	48	024373	Stem, Valve
17	26x249	Screw	49	091923	Tire *
18	015x84	Nut	—	407049	Tube
19	094042 Z	Mount, Stud Spring	50	0 92288-601	Wheel & Tire Assembly
20	009x54	Bolt, Shoulder	51	17x195	Washer
21	165x116	Spring, Extension	52	0011x3	E-Ring
22	1001302E701	Bracket, Right Shifter	53	094618	Hub Cap
23	1001928E701	Frame, Right	54	093349	Guide, Belt
24	002x53	Bolt, Carriage	55	0031x4	Pin, Hair
25	1001927E701	Frame, Left	56	165x115	Spring, Extension
26	094045 Z	Latch, Parking Brake	57	165x92	Spring, Extension
27	021544	Pedal	58	26x216	Screw
28	094038E700	Lever, Brake/Clutch	59	17x148	Washer
29	1001117E701	Bracket, Pedal	60	26x267	Screw
30	037x87	Belt, Motion Drive	61	17x169	Washer
31	094031 Z	Yoke, Shift	62	015x98	Nut
32	0031x6	Pin, Hair			

\* When you order a tire, make sure to give the brand name of the tire so that the tread pattern on the tire will match.

\*\* For Replacement Parts see the Transaxle manufacturer.

MODEL 385000x68A

REPAIR PARTS  
STEERING



F-040727L

# MODEL 385000x68A

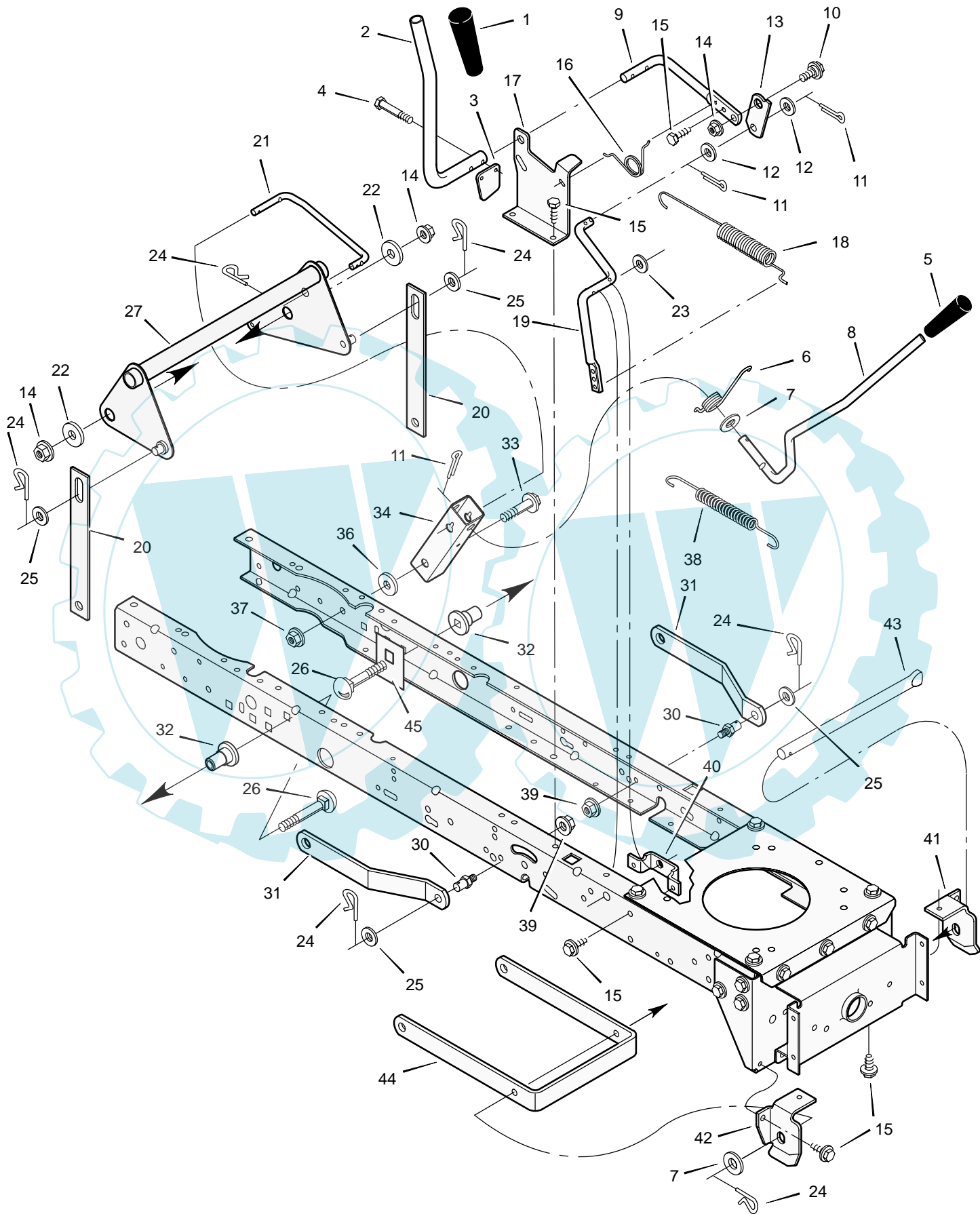
# REPAIR PARTS STEERING

Key No.	Part No.	Description	Key No.	Part No.	Description
1	095336	Wheel, Steering	23	17x104	Washer
2	690625	Post, Steering	24	017x53 Z	Washer
3	095338	Insert, Steering Wheel	25	015x84	Nut, Flange
4	094124	Bearing	26	690210	Axle Assembly
5	15x111	Nut, Flange	27	095329E701	Drag Link, Left
6	009x57	Bolt, Shoulder	28	094575E701	Spindle Assembly, Right
7	690183	Gear, Pinion	29	095328E701	Drag Link, Right
8	011x25	Ring, Snap	30	26x249	Screw
9	094121	Gear, Sector	31	091334	Bearing, Wheel
10	094123	Bearing	32	024373	Stem, Valve
11	001x84	Bolt	33	091912	Tire *
12	1001121E701	Plate, Steering	—	407046	Tube
13	094006E701	Plate, Engine	34	1001840-601	Wheel and Tire Assembly
14	015x88	Nut, Flange	35	17x195	Washer
15	15x118	Nut, Flange	36	17x192	Washer
16	1001270E701	Bracket, Hanger	37	17x113	Washer
17	094007E701	Axle, Hanger	38	094618	Hub Cap
18	01x146	Bolt	39	26x267	Screw
19	030x49	Pin, Cotter	40	092059	Bellows
20	690150	Bearing	41	0025x3	Bolt
21	094576E701	Spindle Assembly, Left	42	17x146	Washer
22	01x111	Bolt			

\* When you order a tire, make sure to give the brand name of the tire so that the tread pattern on the tire will match.

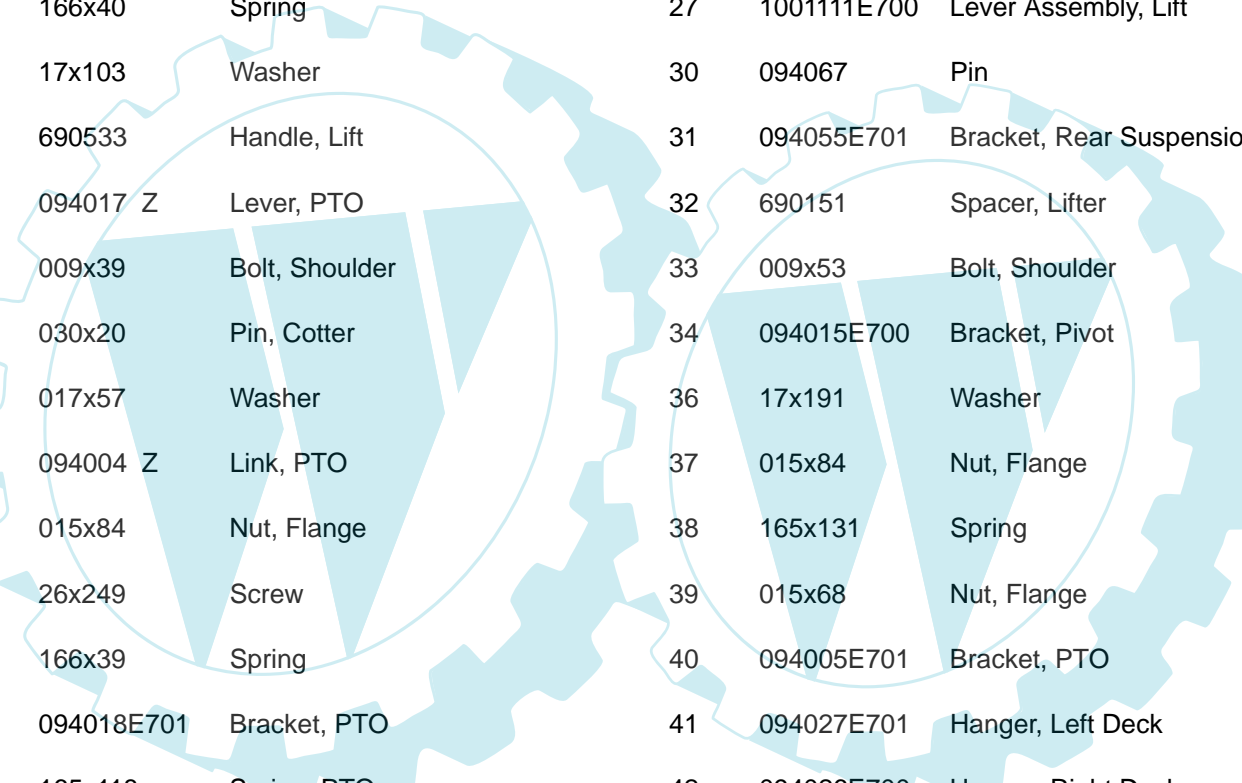
MODEL 385000x68A

REPAIR PARTS  
MOWER HOUSING SUSPENSION



# MODEL 385000x68A

# REPAIR PARTS MOWER HOUSING SUSPENSION

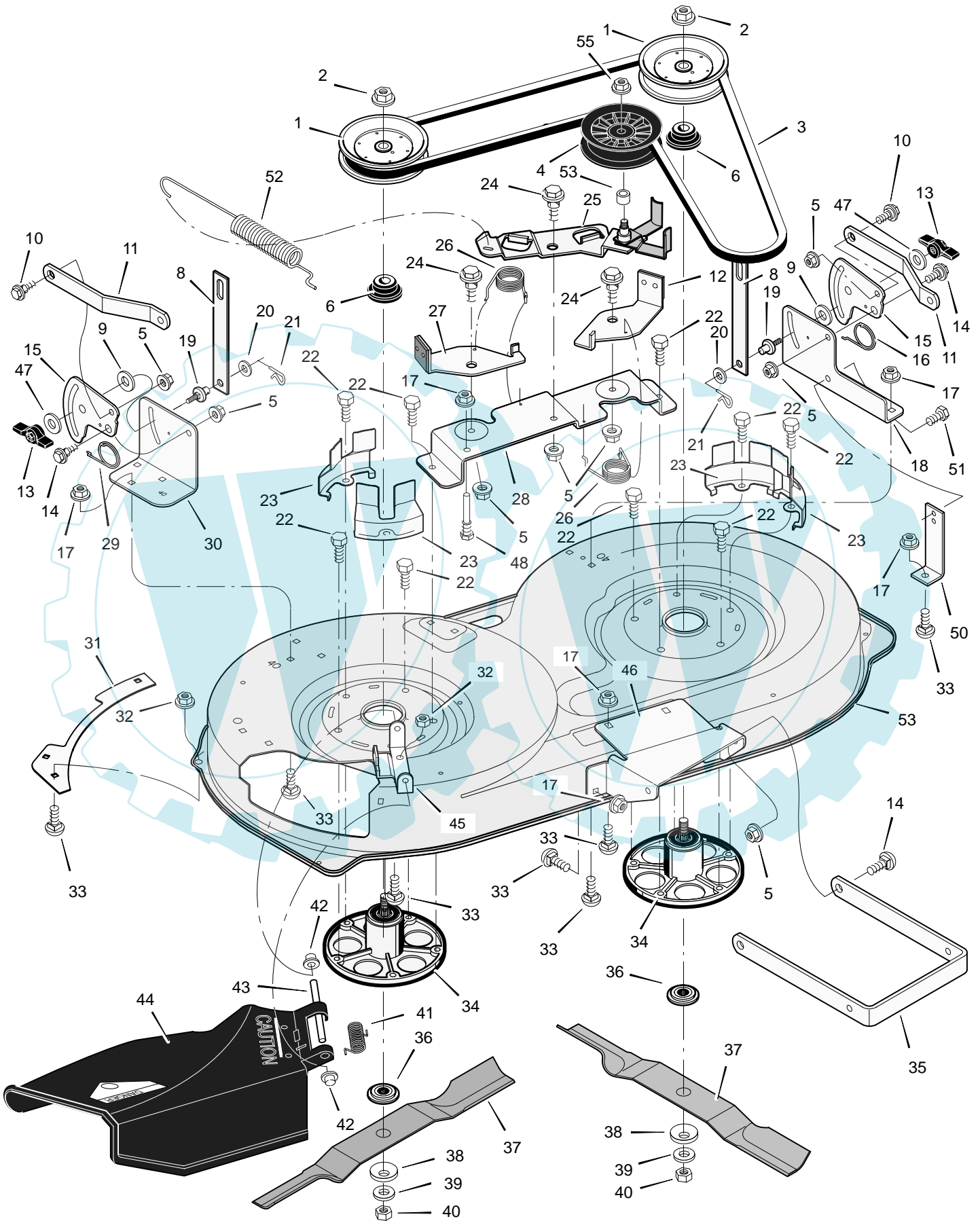


Key No.	Part No.	Description	Key No.	Part No.	Description
1	092698	Grip	22	17x168	Washer
2	094157 Z	Handle, PTO	23	017x57	Washer
3	094022 Z	Pad, Switch	24	0031x4	Pin, Hair
4	0025x3	Bolt	25	017x91	Washer
5	092697	Grip	26	002x85	Bolt, Carriage
6	166x40	Spring	27	1001111E700	Lever Assembly, Lift
7	17x103	Washer	30	094067	Pin
8	690533	Handle, Lift	31	094055E701	Bracket, Rear Suspension
9	094017 Z	Lever, PTO	32	690151	Spacer, Lifter
10	009x39	Bolt, Shoulder	33	009x53	Bolt, Shoulder
11	030x20	Pin, Cotter	34	094015E700	Bracket, Pivot
12	017x57	Washer	36	17x191	Washer
13	094004 Z	Link, PTO	37	015x84	Nut, Flange
14	015x84	Nut, Flange	38	165x131	Spring
15	26x249	Screw	39	015x68	Nut, Flange
16	166x39	Spring	40	094005E701	Bracket, PTO
17	094018E701	Bracket, PTO	41	094027E701	Hanger, Left Deck
18	165x118	Spring, PTO	42	094026E700	Hanger, Right Deck
19	690394E701	Crank, PTO	43	094158 Z	Rod, Hanger
20	690212E701	Link, Lift	44	690539E701	Bracket, Suspension
21	690122 Z	Link, Lift Handle	45	1001098E701	Plate, Stiffening



# MODEL 385000x68A

# REPAIR PARTS MOWER HOUSING



F-040727L

# MODEL 385000x68A

# REPAIR PARTS MOWER HOUSING

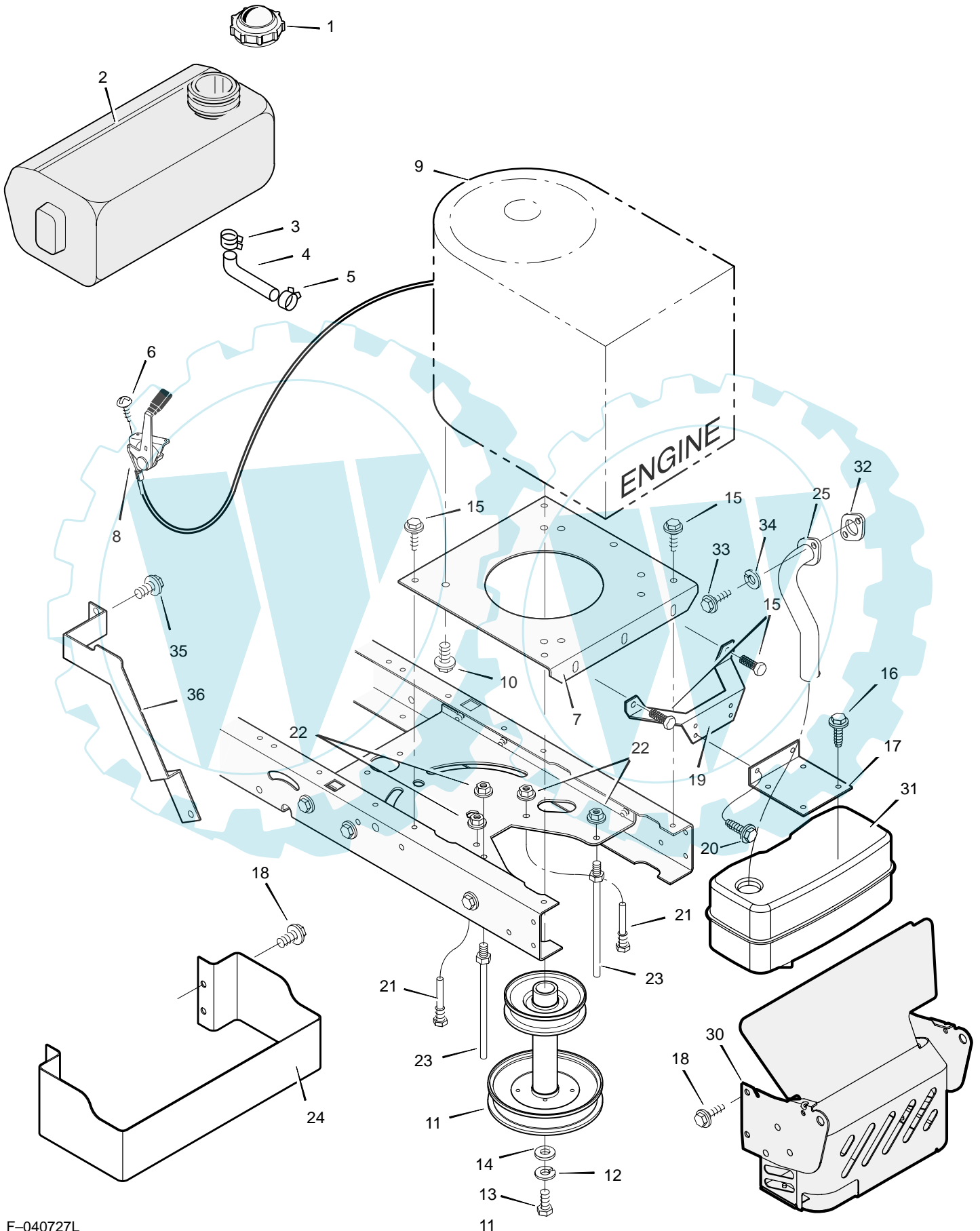
Key No.	Part No.	Description	Key No.	Part No.	Description
1	092852	Pulley, Jackshaft	29	166x42	Spring
2	15x140	Nut, Hex	30	094052E701	Bracket, Right Suspension
3	037x86	Belt, Mower Drive	31	091770E700	Plate
4	690387	Pulley, Idler	32	015x88	Nut, Flange
5	015x84	Nut, Flange	33	002x53	Bolt, Carriage
6	1001197	Spacer, Pulley **	34	1001200	Mandrell (Includes Key No.6)
8	690212E701	Link, Lift	35	690539E701	Bracket, Suspension
9	094137	Pad, Friction	36	690411	Adapter, Blade
10	009x52	Bolt, Shoulder	37	1001427E701	Blade
11	094055E701	Bracket, Suspension	38	17x166	Washer
12	094049E701	Pad Assembly, Left Brake	39	17x165	Washer
13	094068	Knob	40	15x100	Nut
14	009x51	Bolt, Shoulder	41	0166x4	Spring
15	094128E700	Plate, Suspension	42	028x23	Cap, Push On
16	166x43	Spring	43	094957 Z	Rod, Pivot
17	015x79	Nut, Flange	44	094707	Deflector Assembly
18	094054E700	Bracket, Left Suspension	45	094956E701	Bracket, Deflector
19	095194	Pin, Hanger	46	094062E700	Bracket, Front Hanger
20	017x91	Washer	47	017x45 Z	Washer
21	0031x4	Pin, Cotter	48	094781	Guide, Belt
22	0025x7	Bolt	50	094681E700	Bracket, Support
23	094051E701	Cover, Pulley	51	26x249	Screw
24	009x39	Bolt, Shoulder	52	165x118	Spring, Extension
25	1001499	Arm, Idler	53	690369	Spacer
26	166x41	Spring	54	094060E700	Housing – Export Blade *
27	094047E701	Pad Assembly, Right Brake	55	015x98	Nut, Flange
28	094059E700	Bracket Assembly, Brake	1–55	776000	Complete Mower Housing Assembly

\*\* Included with Key No. 34.

\* Includes Key No. 17, 18, 30, 31, 32, 33, 45, 46, 47 and 51.

MODEL 385000x68A

REPAIR PARTS  
ENGINE MOUNT



F-040727L

# MODEL 385000x68A

# REPAIR PARTS ENGINE MOUNT

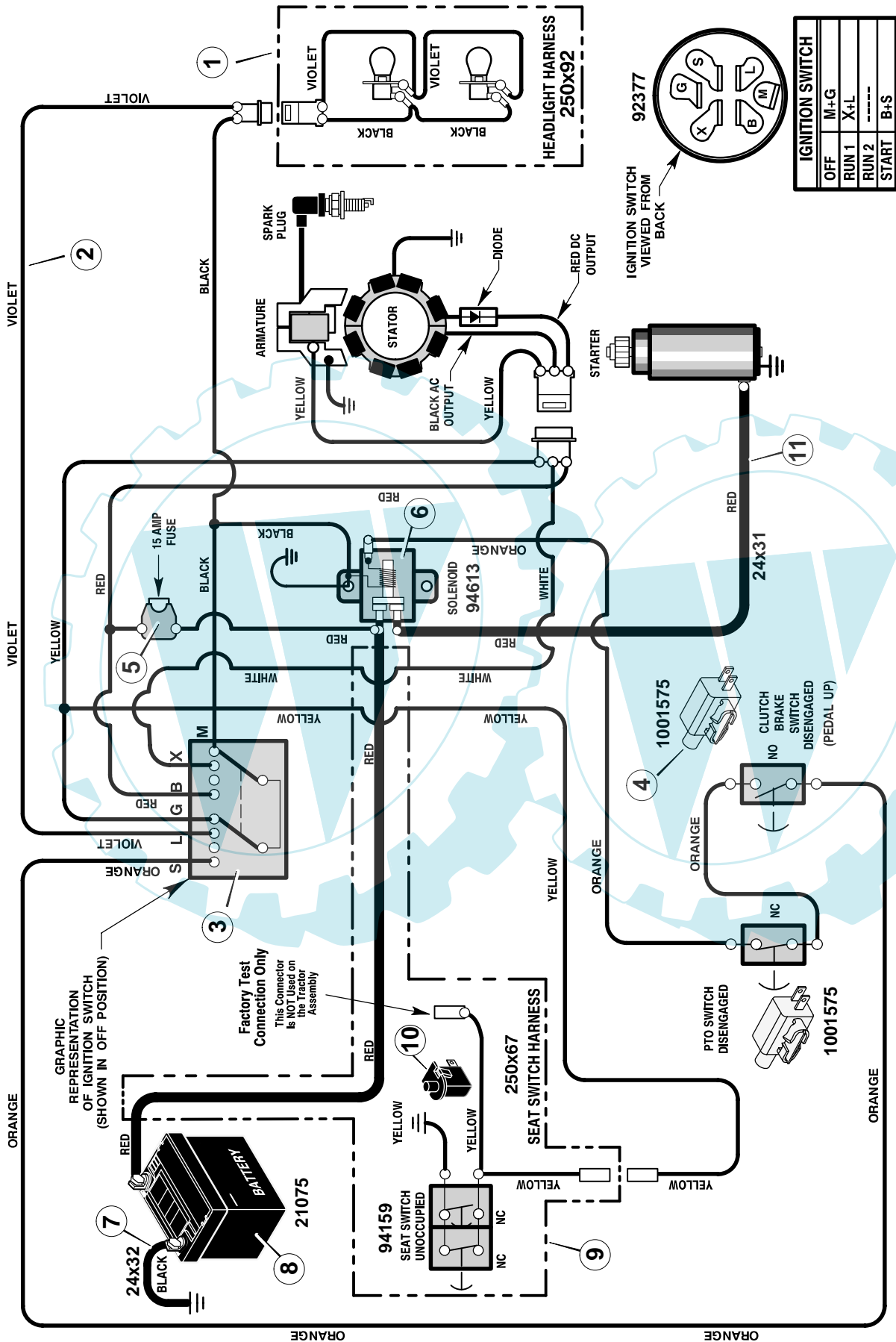
Key No.	Description	Part No.	Key No.	Description	Part No.
1	Fuel Cap **	092317	17	Bracket, Muffler	690538E701
2	Fuel Tank	690280	18	Screw	26x277
3	Hose Clamp **	095197	19	Bracket, Muffler Mount	690537E701
4	Fuel Line (Must cut to length) **	7601033	20	Screw	026x263
5	Hose Clamp **	095197	21	Guide, Belt	094384
6	Screw	26x201	22	Nut, Flange	015x79 Z
7	Plate, Engine	094006E701	23	Guide, Belt	094066
8	Throttle Control	092371	24	Guard, Heat Shield	1001620E701
9	Engine, Briggs & Stratton	— * —	25	Exhaust Tube, Single	1001747
10	Bolt, Engine Mount	0025x7	30	Shield, Heat	1001619-701
11	Stack Pulley Assembly	690439 Z	31	Muffler	094654
12	Lockwasher	019x35	32	Gasket	091309
13	Bolt, Hex	01x140	33	Screw	06x103
14	Washer	17x170	34	Washer	018x15
15	Screw	26x249	35	Bolt, Washer Hex Head	06x104
16	Screw	26x229	36	Guard, Exhaust Pipe	1001880

\* For information on Replacement Parts for this engine contact the manufacturer.

\*\* These parts are included with Key No. 2

MODEL 385000x68A

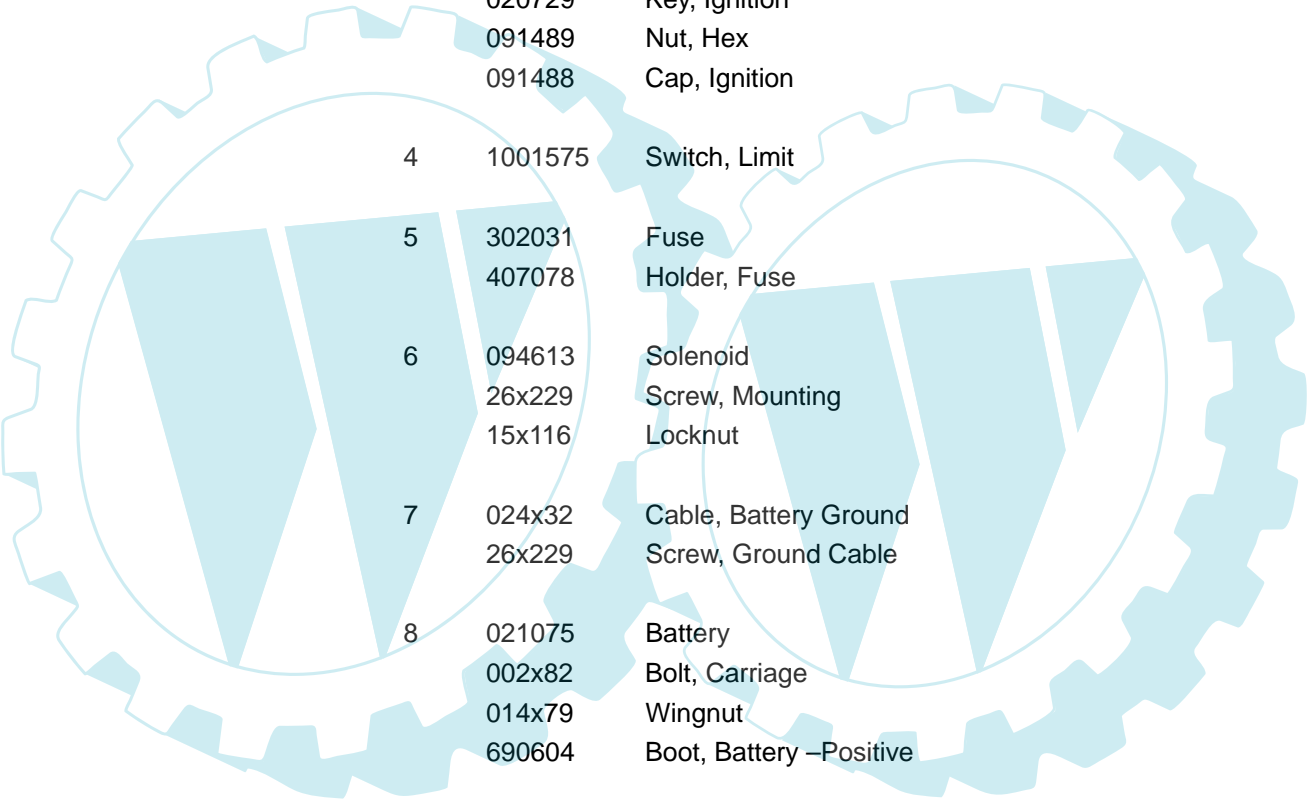
REPAIR PARTS  
ELECTRICAL SYSTEM



MAIN HARNESS: 250X113  
REAR HARNESS: 250X67  
LIGHT HARNESS: 250X92

# MODEL 385000x68A

# REPAIR PARTS ELECTRICAL SYSTEM



Key No.	Part No.	Description
1	250x92	Harness, Light Wire
	1001716	Socket, Light
	090084	Bulb, Light
2	250x113	Harness, Chassis Wire
3	092377	Switch, Ignition
	020729	Key, Ignition
	091489	Nut, Hex
	091488	Cap, Ignition
4	1001575	Switch, Limit
5	302031	Fuse
	407078	Holder, Fuse
6	094613	Solenoid
	26x229	Screw, Mounting
	15x116	Locknut
7	024x32	Cable, Battery Ground
	26x229	Screw, Ground Cable
8	021075	Battery
	002x82	Bolt, Carriage
	014x79	Wingnut
	690604	Boot, Battery –Positive
9	250x67	Harness, Seat Switch Wire
10	094159	Switch, Seat Sensor
11	024x31	Cable