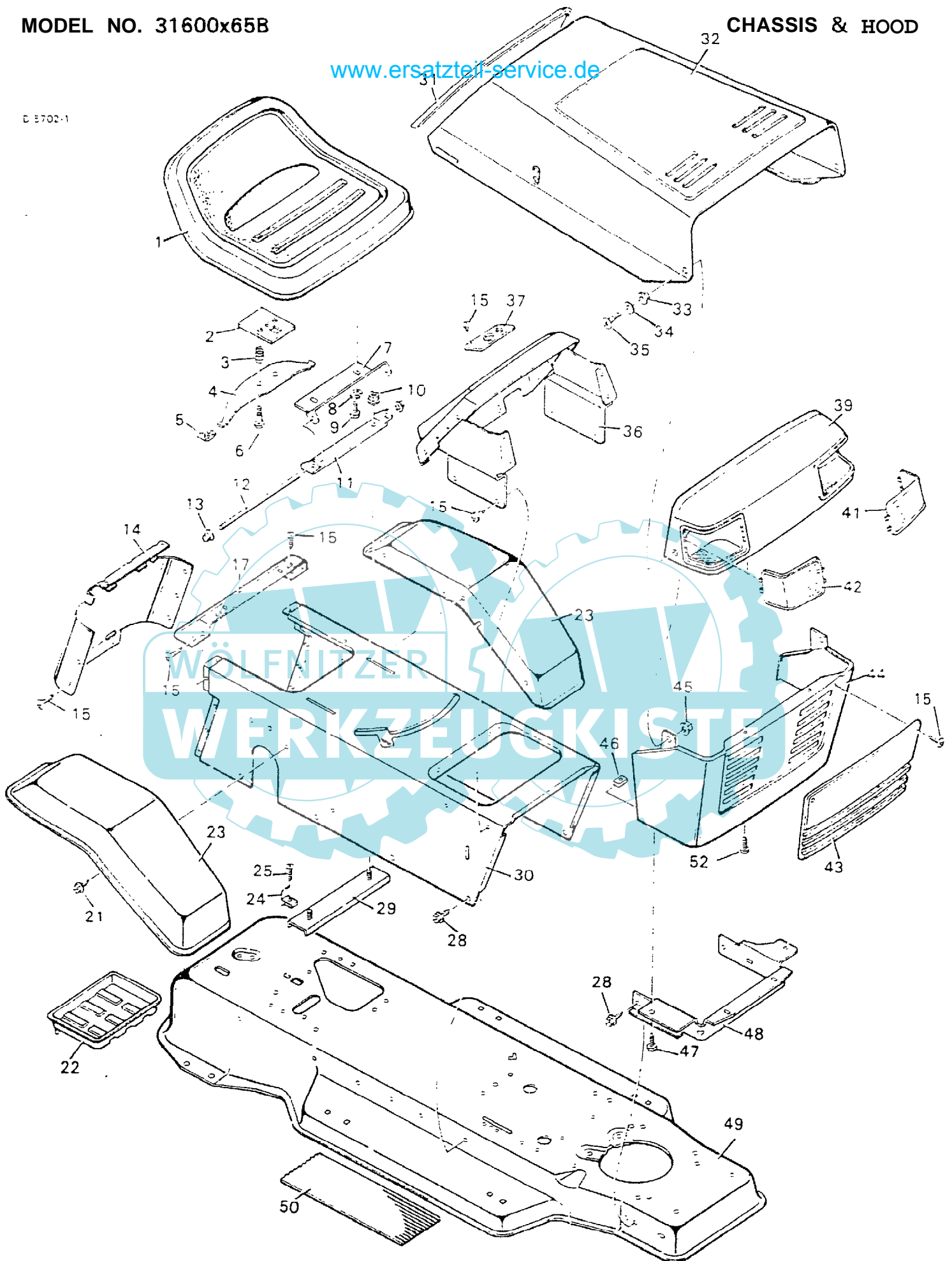


D E702-1

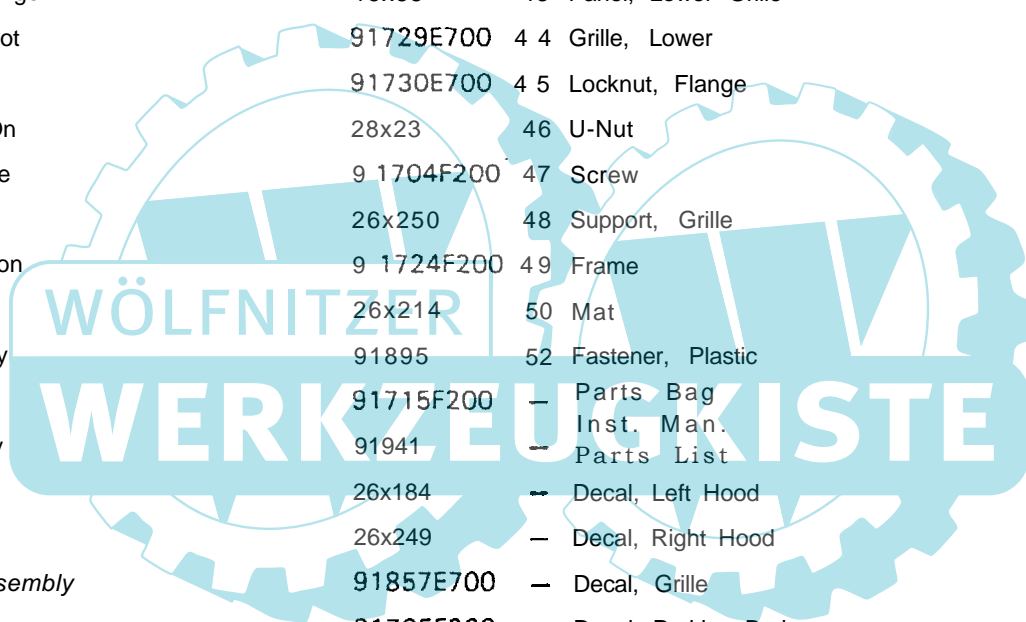


MODEL NO. 31600x65B

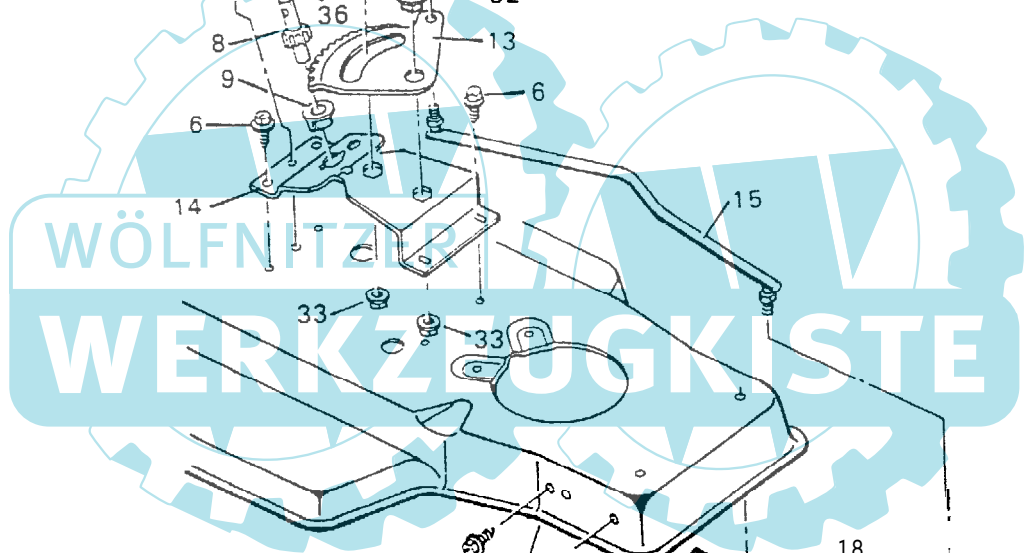
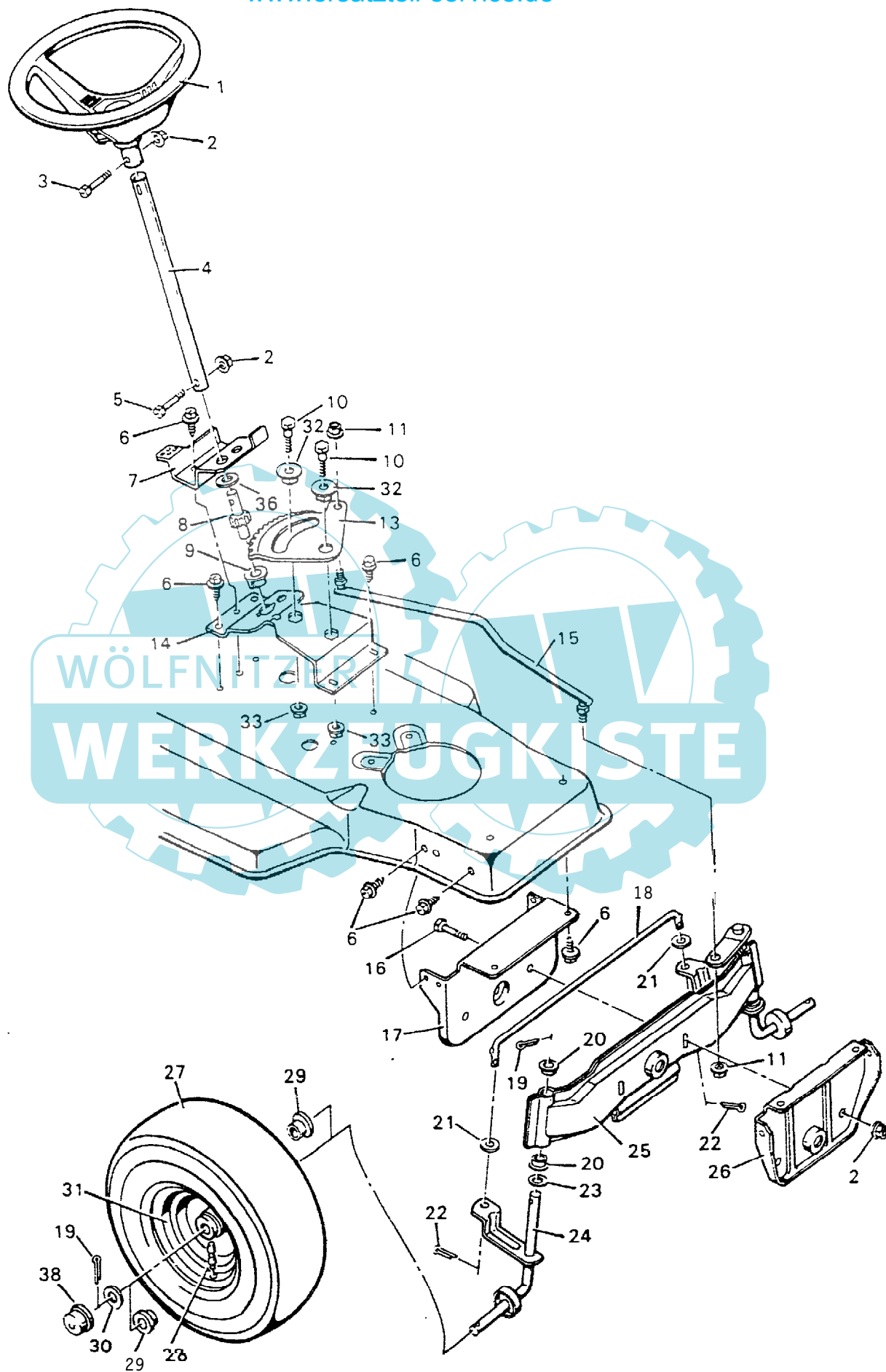
30" S/D - L/T  
 11 HP. GAS ENGINE  
 5-SP. PEERLESS TRANSAXLE  
 (930-012)  
[www.ersatzteil-service.de](http://www.ersatzteil-service.de)

CHASSIS & HOOD

| KEY NO. | DESCRIPTION            | PART NO.   | KEY NO. | DESCRIPTION                            | PART NO.  |
|---------|------------------------|------------|---------|--|-----------|
| 1       | Seat                   | 92040      | 33      | Eyelet                                 | 91733     |
| 2       | Plate Assembly, Switch | 919632     | 34      | Washer, Rubber                         | 91751     |
| 3       | Spring, Compression    | 164x22     | 35      | Bolt, Shoulder                         | 9x36      |
| 4       | Spring, Seat           | 91964      | 36      | Dash Assembly                          | 91858F200 |
| 5       | Glide, Spring          | 91822      | 37      | Bearing                                | 91759     |
| 6       | Bolt, Shoulder         | 9x38       | 39      | Grille, Upper (without Lens)           | 91726     |
| 7       | Support, Seat          | 91728E700  | —       | Grille Assembly, Upper (includes Lens) | 91736     |
| 8       | Lockwasher             | 18x16      | 41      | Lens, Left                             | 91735     |
| 9       | Bolt, Hex              | 1 x45      | 42      | Len, Right                             | 91734     |
| 10      | Locknut, Flange        | 15x88      | 43      | Panel, Lower Grille                    | 91800     |
| 11      | Bracket, Pivot         | 91729E700  | 4 4     | Grille, Lower                          | 91722F200 |
| 12      | Rod, Pivot             | 91730E700  | 4 5     | Locknut, Flange                        | 15x84     |
| 13      | Cap, Push On           | 28x23      | 46      | U-Nut                                  | 28x57     |
| 14      | Cap, Console           | 9 1704F200 | 47      | Screw                                  | 26x252    |
| 15      | Screw, Tap             | 26x250     | 48      | Support, Grille                        | 91723F200 |
| 17      | Fender, Apron          | 9 1724F200 | 49      | Frame                                  | 91700F200 |
| 21      | Screw                  | 26x214     | 50      | Mat                                    | 91900     |
| 22      | Tray, Battery          | 91895      | 52      | Fastener, Plastic                      | 193x1     |
| 23      | Fender                 | 91715F200  | —       | Parts Bag                              | 920 10    |
| 24      | Clip, Battery          | 91941      | —       | Inst. Man.                             | F-927 19  |
| 25      | Screw                  | 26x184     | —       | Parts List                             | F-927 18  |
| 28      | Screw                  | 26x249     | —       | Decal, Left Hood                       | 44x1261   |
| 29      | Channel Assembly       | 91857E700  | —       | Decal, Right Hood                      | 44x1262   |
| 30      | Console                | 91705F200  | —       | Decal, Grille                          | 44x946    |
| 31      | Trim, Edge             | 21765      | —       | Decal, Parking Brake                   | 44x 1643  |
| 32      | Hood Assembly          | 91852F200  | —       | Decal, Top Console                     | 44x1459   |



D-5639-3

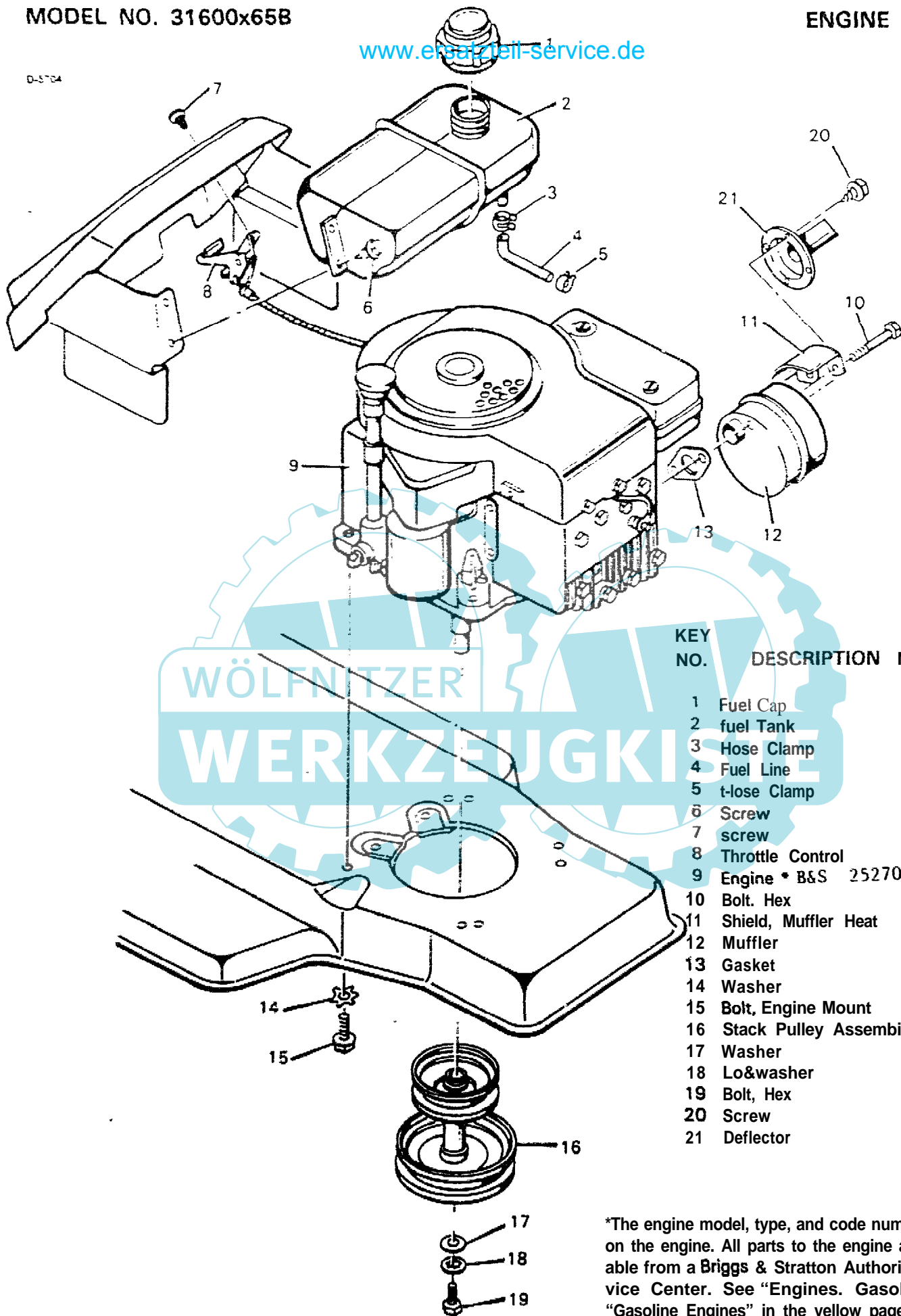


| KEY NO. | DESCRIPTION                   | PART NO.      |
|---------|-------------------------------|---------------|
| 1       | Wheel, Steering               | <b>92078</b>  |
| 2       | Nut, Hex                      | 15x90Z        |
| 3       | Bolt, Hex                     | 1x66          |
| 4       | Post, Steering                | 91860Z        |
| 5       | Bolt, Hex                     | 1x74          |
| 6       | Screw                         | 26x249        |
| 7       | Bracket, Sector . *           | 91716E700     |
| 8       | Gear, Pinion                  | 402075        |
| 9       | Bearing **                    | 91756         |
| 10      | Bolt, Hex **                  | 1x84          |
| 11      | Locknut, Flange               | 15x87         |
| 13      | Gear, Sector                  | 402075        |
| 14      | Bracket, Sector . *           | 91708E700     |
| 15      | Link, Drag                    | 91749E700     |
| 16      | Bolt, Hex                     | 1x138         |
| 17      | Support, Rear Axle            | 91702E700     |
| 18      | Rod, Tie                      | 90038E700     |
| 19      | Pin, Cotter                   | 30x49         |
| 20      | Bearing                       | 9003 5        |
| 21      | Washer                        | 17x57         |
| 22      | Pin, Cotter                   | 30x20         |
| 23      | Washer                        | 17x113        |
| 24      | Spindle Assembly, Right       | 91828E700     |
| 25      | Spindle Assembly, Axle & Left | 91827E700     |
| 26      | Support, Front Axle           | 91701E700     |
| 27      | Tire *                        | 91912         |
| ---     | Tube                          | <b>407047</b> |
| 28      | Stem, Valve                   | <b>24373</b>  |
| 29      | Bearing, Wheel                | 91334         |
| 30      | Washer                        | <b>77x115</b> |
| 31      | Wheel & Tire Assembly         | 91913-601     |
| 32      | Bearing . *                   | <b>92097</b>  |
| 33      | Locknut, Flange **            | <b>15x113</b> |
| 36      | Washer **                     | 17x83         |
| 38      | Hub Cap (Optional)            | 24582         |

\*When you order a tire, make sure to give the brand name of the tire so that the tread pattern on the tire will match.

\*\* These parts are also included with Key No. 8 and '13.

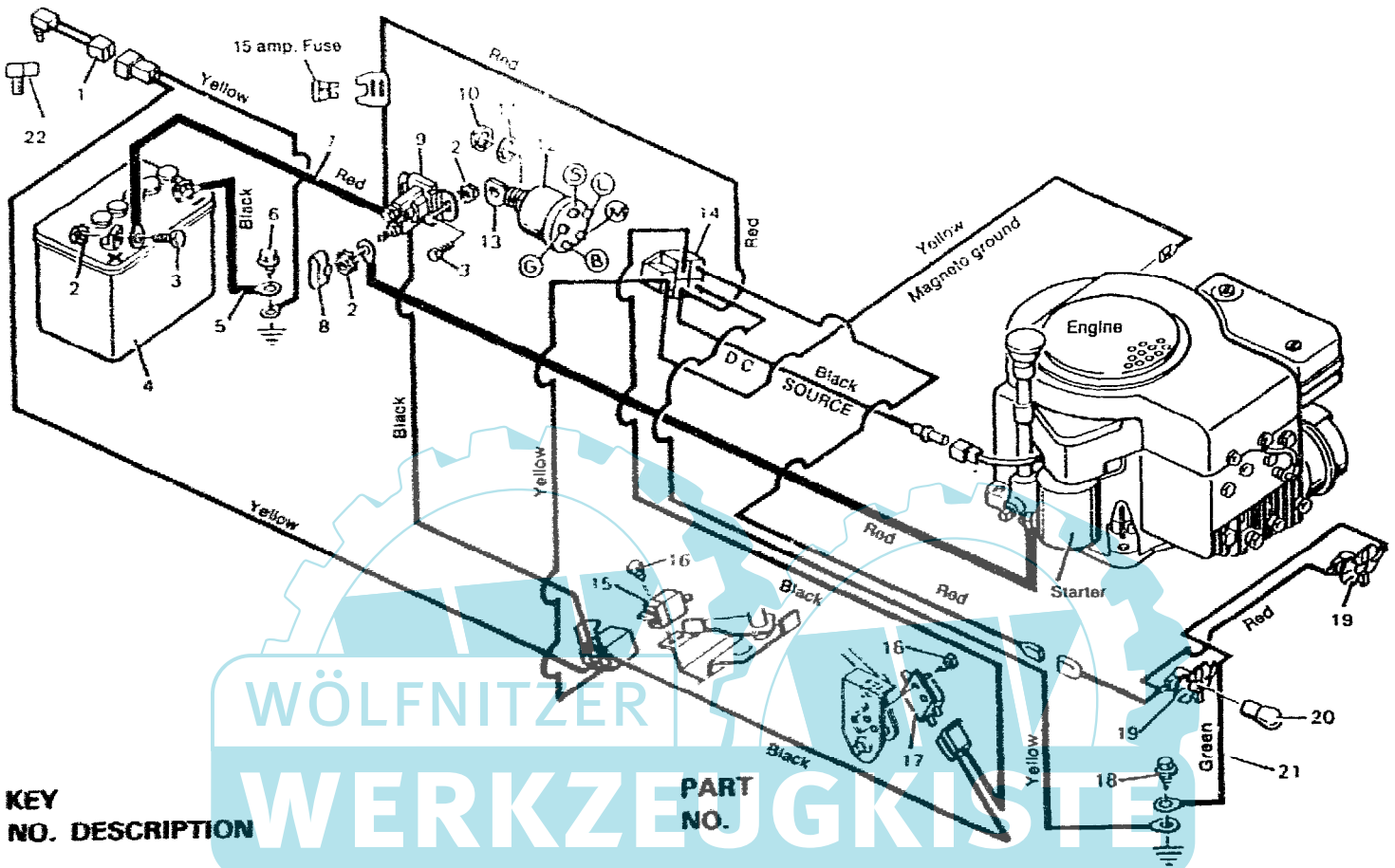
D-5704



| KEY NO. | DESCRIPTION           | PART N O .     |
|---------|-----------------------|----------------|
| 1       | Fuel Cap              | 23711          |
| 2       | fuel Tank             | 91869          |
| 3       | Hose Clamp            | 91174          |
| 4       | Fuel Line             | 9067 1         |
| 5       | t-hose Clamp          | 23713          |
| 6       | Screw                 | 26x214         |
| 7       | screw                 | 26x201         |
| 8       | Throttle Control      | 91983          |
| 9       | Engine * B&S          | 252707-0621-01 |
| 10      | Bolt. Hex             | 1x134          |
| 11      | Shield, Muffler Heat  | 91277          |
| 12      | Muffler               | 91271          |
| 13      | Gasket                | 91309          |
| 14      | Washer                | 19x8           |
| 15      | Bolt, Engine Mount    | 25x7           |
| 16      | Stack Pulley Assembly | 92246SE        |
| 17      | Washer                | 17x170         |
| 18      | Lo&washer             | 19x35          |
| 19      | Bolt, Hex             | 1x140          |
| 20      | Screw                 | 26x203         |
| 21      | Deflector             | 90283E700      |

\*The engine model, type, and code numbers are on the engine. All parts to the engine are available from a Briggs & Stratton Authorized Service Center. See "Engines, Gasoline" or "Gasoline Engines" in the yellow pages of the telephone directory.

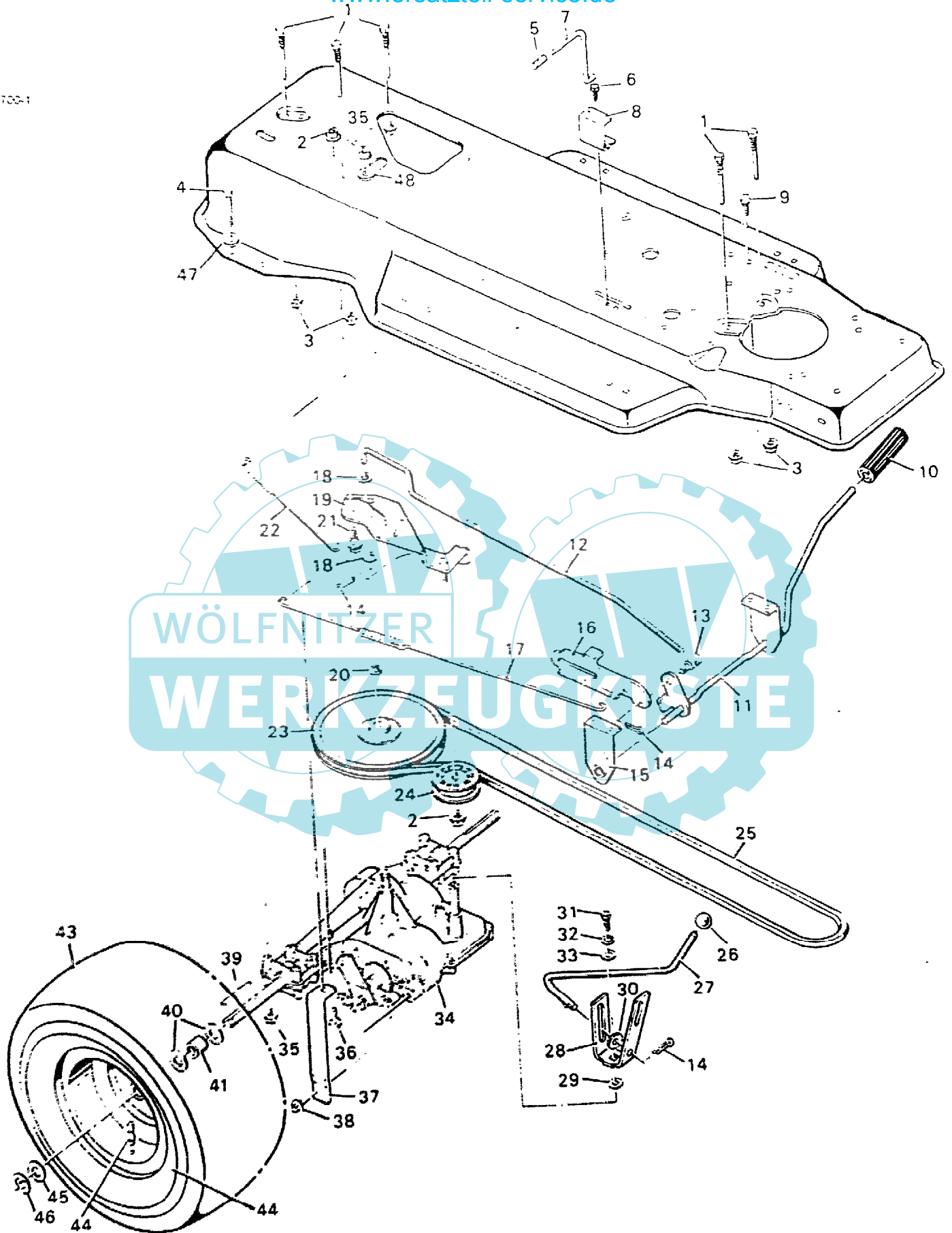
C-5703-2



**KEY  
NO. DESCRIPTION**

| KEY NO. | DESCRIPTION                | PART NO. |
|---------|----------------------------|----------|
| 1       | Switch, Seat               | 91031    |
| 2       | Locknut                    | 1 5x66   |
| 3       | Bolt, Hex                  | 1 x38Z   |
| 4       | Battery                    | 91414    |
| —       | Add, Battery (Electrolyte) | 55702    |
| 5       | Cable, Battery Ground      | 24x9     |
| 6       | Screw                      | 26x249   |
| 7       | Cable, Red Battery         | 24x12    |
| 8       | Cover, Solenoid            | 56049    |
| 9       | Solenoid                   | 24285    |
| 10      | Nut, Hex                   | 15x105   |
| 11      | Washer, Shakeproof         | 19x40    |
| 12      | Switch, Ignition           | 91846    |
| 13      | Key & fling, Ignition      | 20729    |
| 14      | Harness, Chassis Wire      | 250x22   |
| —       | Fuse, Replacement          | 54212    |
| —       | Holder, Fuse Replacement   | 407078   |
| 15      | Switch, PTO                | 91299    |
| 16      | Screw                      | 26x233   |
| 17      | Switch, Clutch             | 24273    |
| 18      | screw                      | 26x214   |
| 19      | Socket, Light              | 91890    |
| 20      | Bulb, Light                | 91964    |
| 21      | Harness, Light Wire        | 250x23   |
| 22      | Cover, Battery Terminal    | 64148    |

D-5700-1



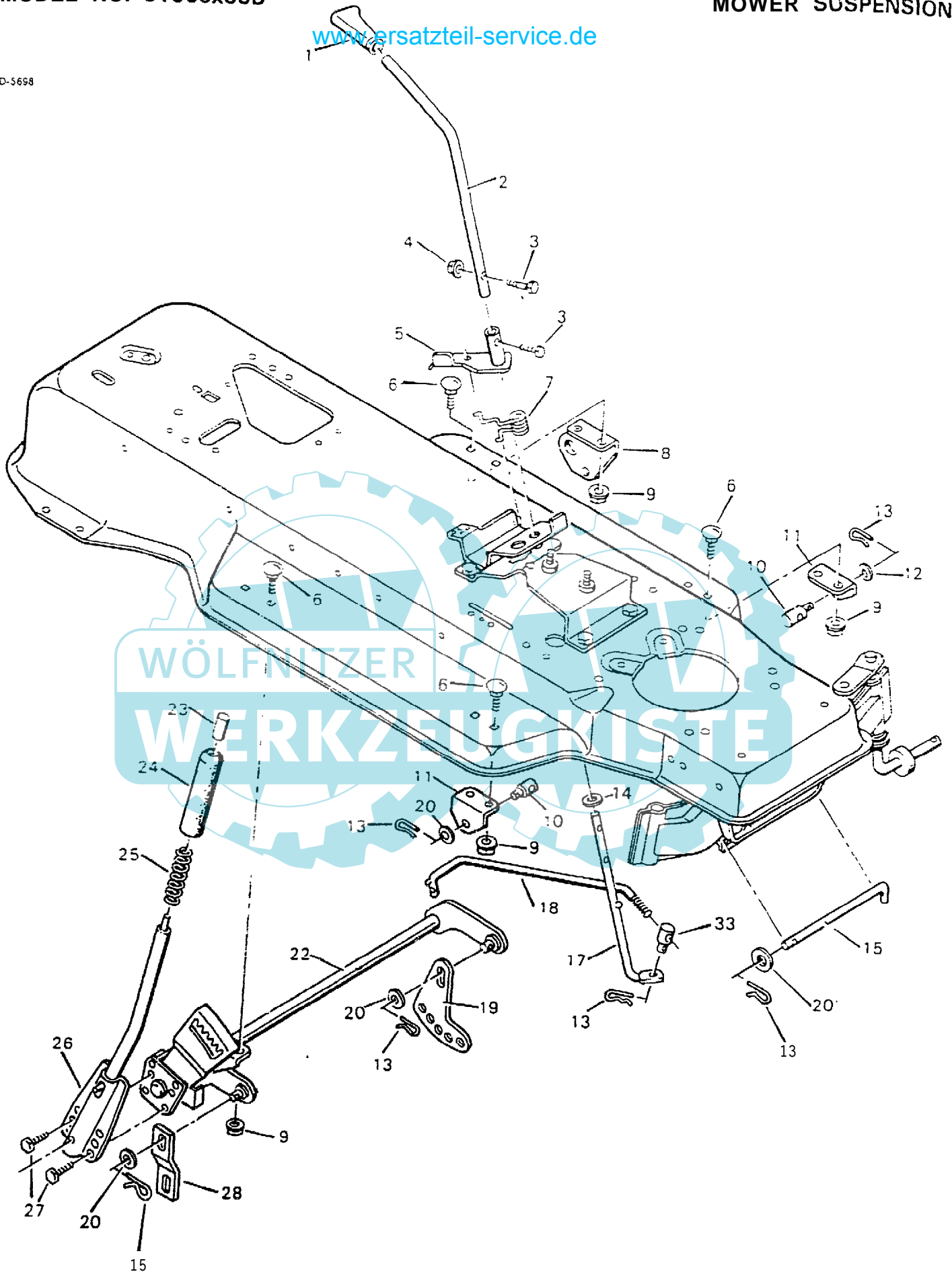
| KEY<br>NO. | DESCRIPTION             | PART<br>NO. |
|------------|-------------------------|-------------|
| 1          | Guide, Belt             | 91754       |
| 2          | Locknut, Flange         | 15x84       |
| 3          | Nut, Flange             | 15x79Z      |
| 4          | Bolt, Hex               | 1x99        |
| 5          | Grip                    | 91079       |
| 6          | Screw                   | 26x2 14     |
| 7          | Rod, Control            | 91727E700   |
| 8          | Guide, Bracket          | 91825E700   |
| 9          | screw                   | 26x249      |
| 10         | Clutch and Brake Pedal  | 21544       |
| 11         | Lever Assembly          | 91862E700   |
| 12         | Rod, Clutch             | 918082      |
| 13         | Nut, Adjustable         | 21920       |
| 14         | Pin, Cotter             | 30x20       |
| 15         | Bracket, Support        | 91713E700   |
| 16         | Latch, Park Brake       | 917122      |
| 17         | Spring, Brake Extension | 165x82      |
| 18         | Washer                  | 17x472      |
| 19         | Bracket Assembly, Idler | 920292      |
| 20         | Ring, Retainer          | 11x7        |
| 21         | Bolt, Shoulder          | 9x39        |
| 22         | Spring, Drive Extension | 165x76      |
| 23         | Pulley, Motion Drive    | 91807       |
| 24         | Pulley, Backside Idler  | 91779       |
| 25         | Belt, Motion Drive      | 37x61       |
| 26         | Knob, Shift Lever       | 91995       |
| 27         | Lever, Shift            | 91805Z      |
| 28         | Yoke, Shift             | 9 18062     |
| 29         | Washer                  | 17x748      |
| 30         | Washer                  | 17x102Z     |
| 31         | Bolt, Hex               | 1 x82       |
| 32         | Lockwasher              | 7 8x32      |
| 33         | Washer                  | 17x382      |
| 34         | Transaxle, Peerless**   | 930-O 12    |
| 35         | Locknut, Flange         | 15x88       |
| 36         | Bolt, Carriage          | 2x64        |
| 37         | Support, Transaxle      | 91804E700   |
| 38         | Screw                   | 26x2 16     |
| 39         | Key, Square             | 21553       |
| 40         | Washer                  | 17x160      |
| d1         | Spacer, Transaxle       | 917572      |
| 42         | Tire *                  | 91923       |
|            | Tube                    | 407049      |
| 43         | Wheel and Tire Assembly | 91924-601   |
| 44         | Stem, Valve             | 24373       |
| 45         | Washer                  | 77x115      |
| 46         | E-Ring                  | 11x3        |
| 47         | Washer                  | 17x146Z     |
| 48         | Washer                  | 17x45       |

\* When you order a tire, make sure to give the brand name of the tire so that the tread pattern on the tire will match.

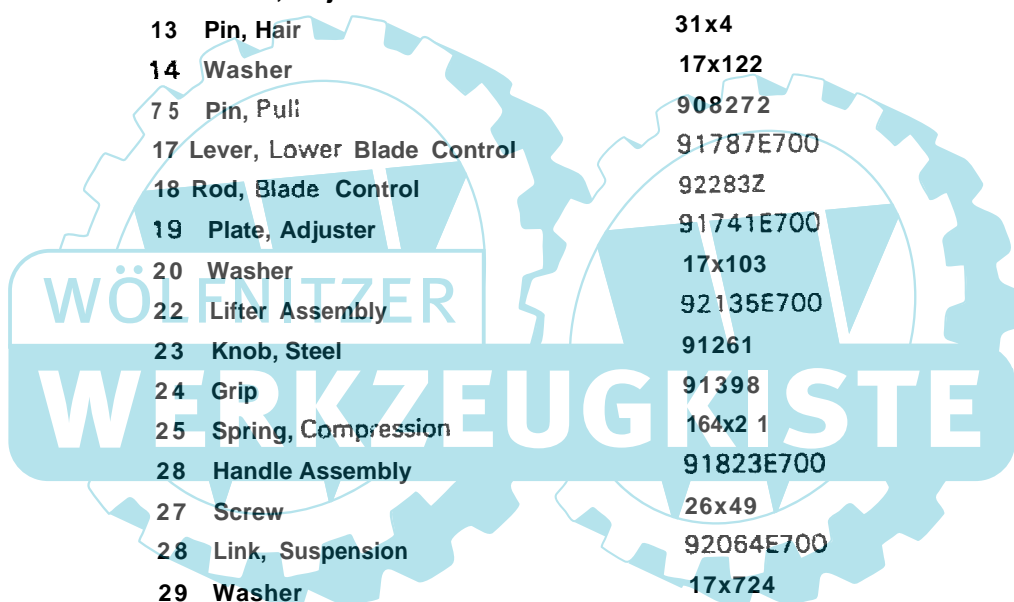
. \* Parts for the transaxle are available from a Tecumseh Authorized Service Center. See "Engines, Gasoline" or "Gasoline Engines" in the yellow pages of the telephone directory.



D-5698

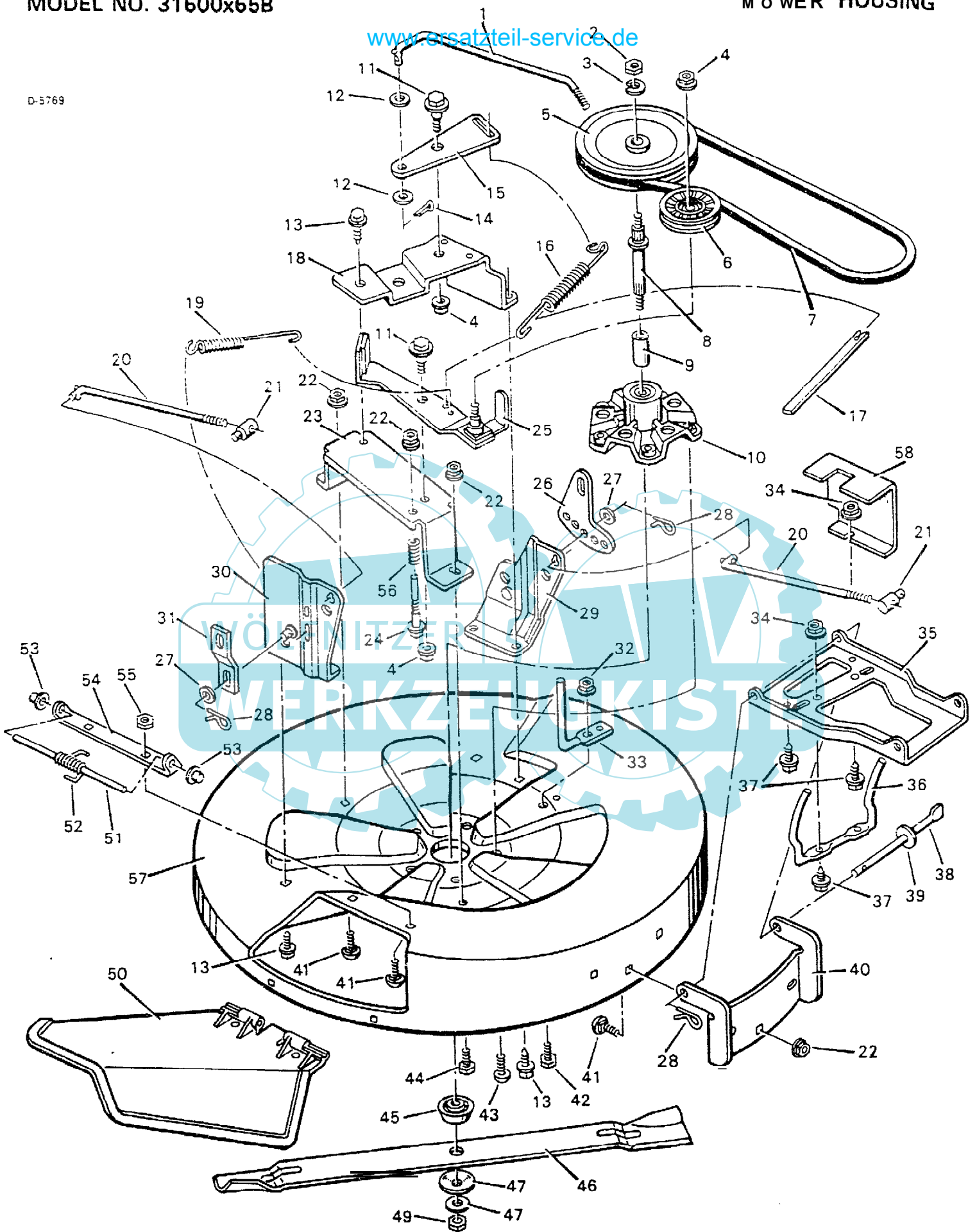


| KEY NO. | DESCRIPTION                | PART NO.  |
|---------|----------------------------|-----------|
| 1       | Grip                       | 55449     |
| 2       | Lever, Blade Control       | 917812    |
| 3       | Bolt, Hex                  | 25x3      |
| 4       | Locknut, Hex               | 15x67     |
| 5       | Lever Assembly, Switch     | 91917E700 |
| 6       | Bolt, Carriage             | 2x53      |
| 7       | Spring, Torsion            | 166x32    |
| 8       | Bracket, Left Rear Hanger  | 92066E700 |
| 9       | Nut, Flange                | 15x7 9Z   |
| 10      | Nut, Adjusting             | 92131     |
| 11      | Bracket, Adjuster Rod      | 92133E700 |
| 13      | Pin, Hair                  | 31x4      |
| 14      | Washer                     | 17x122    |
| 15      | Pin, Pull                  | 908272    |
| 17      | Lever, Lower Blade Control | 91787E700 |
| 18      | Rod, Blade Control         | 92283Z    |
| 19      | Plate, Adjuster            | 91741E700 |
| 20      | Washer                     | 17x103    |
| 22      | Lifter Assembly            | 92135E700 |
| 23      | Knob, Steel                | 91261     |
| 24      | Grip                       | 91398     |
| 25      | Spring, Compression        | 164x2 1   |
| 28      | Handle Assembly            | 91823E700 |
| 27      | Screw                      | 26x49     |
| 28      | Link, Suspension           | 92064E700 |
| 29      | Washer                     | 17x724    |
| 32      | Screw                      | 26x238    |
| 33      | Nut, Adjuster              | 21920     |



www.ersatzteil-service.de

D-5769



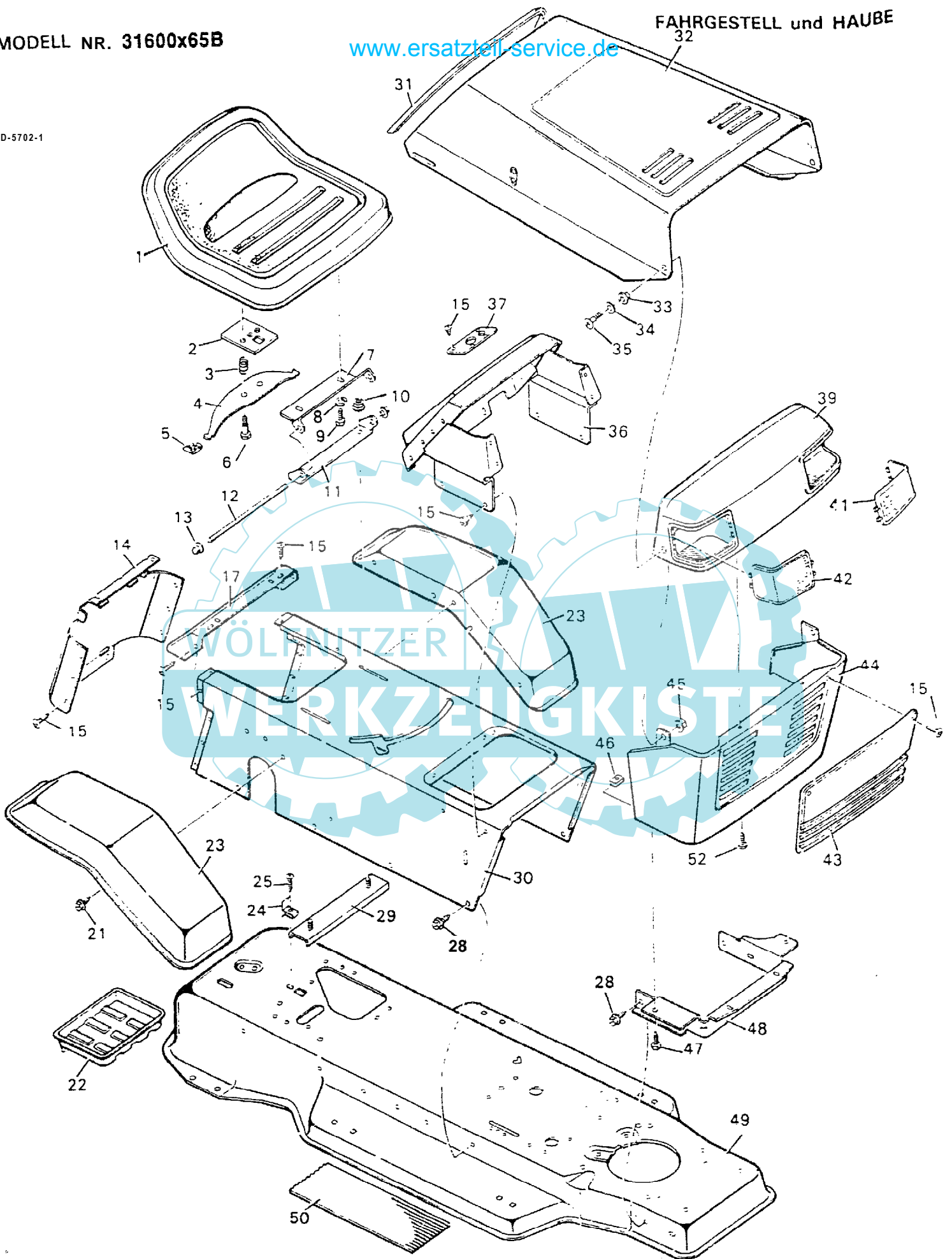
| KEY NO. | DESCRIPTION                   | PART NO.  | KEY NO. | DESCRIPTION                    | PART NO.   |
|---------|-------------------------------|-----------|---------|--------------------------------|------------|
| 1       | Rod, PTO                      | 922122    | 30      | Bracket Assembly, Right Lifter | 92205E700  |
| 2       | Locknut                       | 15x101    | 31      | Link                           | 92064E700  |
| 3       | Lockwasher                    | 18x33     | 32      | Nut, Flange                    | 15x68      |
| 4       | Locknut, Flange               | 15x84     | 33      | Guide, Belt                    | 91797E700  |
| 5       | Pulley, Splined               | 91951     | 34      | Nut, Hex                       | 15x82      |
| 6       | Pulley, idler                 | 91801     | 35      | Hanger, Front                  | 92202E700  |
| 7       | Belt, Mower Drive             | 37x; 4    | 36      | Guide, Belt                    | 92213E700  |
| 8       | Mandrel                       | 91922     | 37      | Screw                          | 25x4       |
| 9       | Spacer                        | 91903     | 38      | Rod, Hanger                    | 901072     |
| 70      | Housing, Mandrel              | 55962     | 39      | Washer                         | 17x57      |
| 11      | Bolt, Shoulder                | 9x39      | 40      | Bracket, Front Hanger          | 92203E700  |
| 12      | Washer                        | 17x46Z    | 41      | Bolt, Carriage                 | 2x53       |
| 13      | Screw                         | 26x249    | 42      | Bolt                           | 1x85       |
| 14      | Pin, Cotter                   | 30x20     | 43      | S c r e w                      | 26x216     |
| 15      | Bracket, Pivot                | 92209E700 | 44      | Bolt                           | 1x45       |
| 16      | Spring, Extension             | 165x91    | 45      | Adapter, Blade                 | 91926      |
| 17      | Indicator, Plastic            | 92163     | 46      | Blade                          | 55793E701  |
| 18      | Support, Pivot Bracket        | 92208E700 | 47      | Washer, Belleville             | 17x166     |
| 79      | Spring, Extension             | 165x90    | 48      | Washer                         | 17x165     |
| 20      | Rod, Adjusting                | 917482    | 49      | Nut, Hex                       | 15x100     |
| 21      | Nut, Adjustable               | 92131     | 50      | Deflector, Chute               | 55971      |
| 22      | Nut, Flange                   | 15x79     | 51      | Rod, Deflector                 | 211972     |
| 23      | Support, Idler Arm            | 92211E700 | 52      | Spring, Torsional              | 166x4      |
| 24      | Guide, Belt                   | 55826     | 53      | Cap, Push On                   | 28x23      |
| 25      | Arm Assembly, idler           | 92221     | 54      | Hinge, Deflector               | 55963E700  |
| 26      | Plate, Adjusting              | 91741E700 | 55      | Locknut                        | 15x43      |
| 27      | Washer                        | 17x103Z   | 56      | Spring                         | 164x1      |
| 28      | Pin, Hair                     | 31x4      | 1-57    | Mower Housing, Complete        | 403339     |
| 29      | Bracket Assembly, Left Lifter | 92207E700 | 58      | Guard, Stack Pulley            | 92271 E700 |

MODELL NR. 31600x65B

[www.ersatzteil-service.de](http://www.ersatzteil-service.de)

FAHRGESTELL und HAUBE

D-5702-1



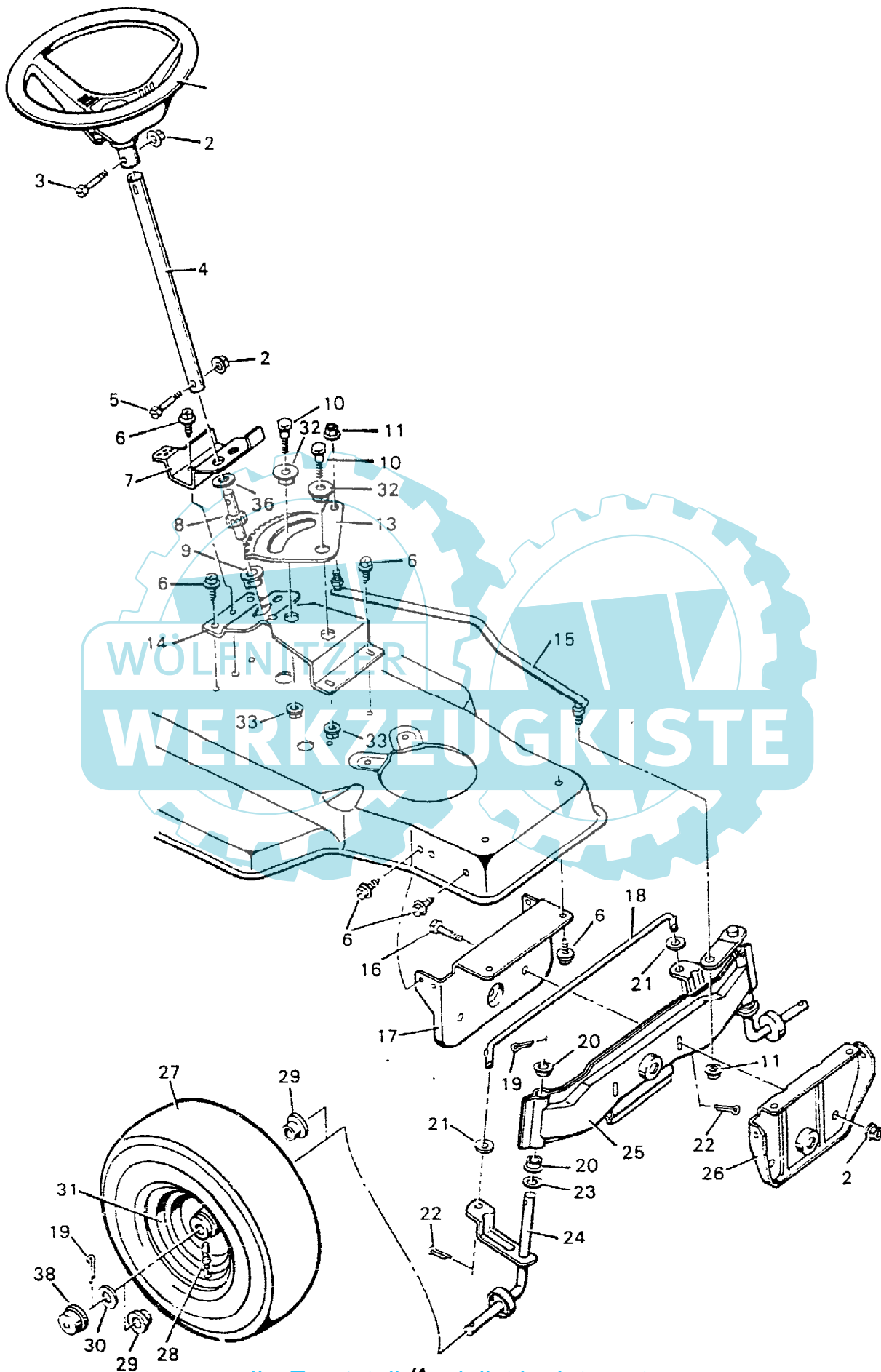
Ihr Ersatzteilspezialist im Internet

F-92718

| BILD-NR. | BEZEICHNUNG                | TEILE-NR.        | BILD-NR. | BEZEICHNUNG                          | TEILE-NR.        |
|----------|----------------------------|------------------|----------|--------------------------------------|------------------|
| 1        | Sitz                       | 92040            | 33       | Lager                                | 91733            |
| 2        | Schalterblech              | 919632           | 34       | Unterlegscheibe                      | 91751            |
| 3        | Druckfeder                 | 164x22           | 35       | Ansatzschraube                       | 9x36             |
| 4        | Feder, Sitz                | 91964            | 36       | Armaturenblech                       | 91858F200        |
| 5        | Glide, Feder               | 91822            | 37       | Lager                                | 9 1 7 5 9        |
| 6        | Ansatzschraube             | 9x38             | 39       | Zierritter, obere                    | 91726            |
| 7        | <b>Sitzstütze</b>          | <b>91728E700</b> |          | (mitout Streuscheibe)                |                  |
| 8        | <b>Sicherungsscheibe</b>   | 18x16            | --       | Zierritter, obere (mit Streuscheibe) | 91736            |
| 9        | Sechskantschraube          | 1x45             | 41       | Streuscheibe, linke                  | 91735            |
| 10       | Sicherungsmutter, Flansch- | 15x88            | 42       | Len, rechte                          | 91734            |
| 11       | Schwenkwinkel              | <b>91729E700</b> | 43       | Panel, untere Zierritter             | 91800            |
| 12       | Schwenkstange              | <b>91730E700</b> | 44       | Zierritter, untere                   | <b>91722F200</b> |
| 13       | aufsetzbare Kappe          | 28x23            | 45       | Sicherungsmutter, Flansch-           | 15x84            |
| 14       | Kappe, Konsole             | 91704F200        | 46       | U-Mutter                             | 28x57            |
| 15       | Blechschrabe               | 26x250           | 47       | Schraube                             | 26x252           |
| 17       | <b>Kotflügel</b>           | <b>91724F200</b> | 48       | Stütze, Zierritter                   | <b>91723F200</b> |
| 21       | Schraube                   | 26x214           | 49       | Gestell                              | <b>91700F200</b> |
| 22       | Batterietrog               | 91895            | 50       | Matte                                | 91900            |
| 23       | <b>Kotflügel</b>           | <b>91715F200</b> | 52       | Plastikbefestigungsteil              | 193x1            |
| 24       | Batteriehalterung          | 91941            | --       | Bedienungsanleitung                  | F-91 731         |
| 25       | Schraube                   | 26x184           | --       | Ersatzteile-Handbuch                 | F-91 732         |
| 28       | Schraube                   | 26x249           | --       | Abziehbild, linke Haube              | 44x1261          |
| 29       | <b>Kanal</b>               | <b>91857E700</b> | --       | Abziehbild, rechte Haube             | 44x1262          |
| 30       | Konsole                    | <b>91705F200</b> | --       | Abziehbild, Zierritter               | 44x946           |
| 31       | <b>Abschleibleiste</b>     | 21765            | --       | Abziehbild, Parkbremse               | 44x1643          |
| 32       | Haube                      | <b>91852F200</b> | --       | Abziehbild, Konsole                  | 44x1459          |



D-5699-3



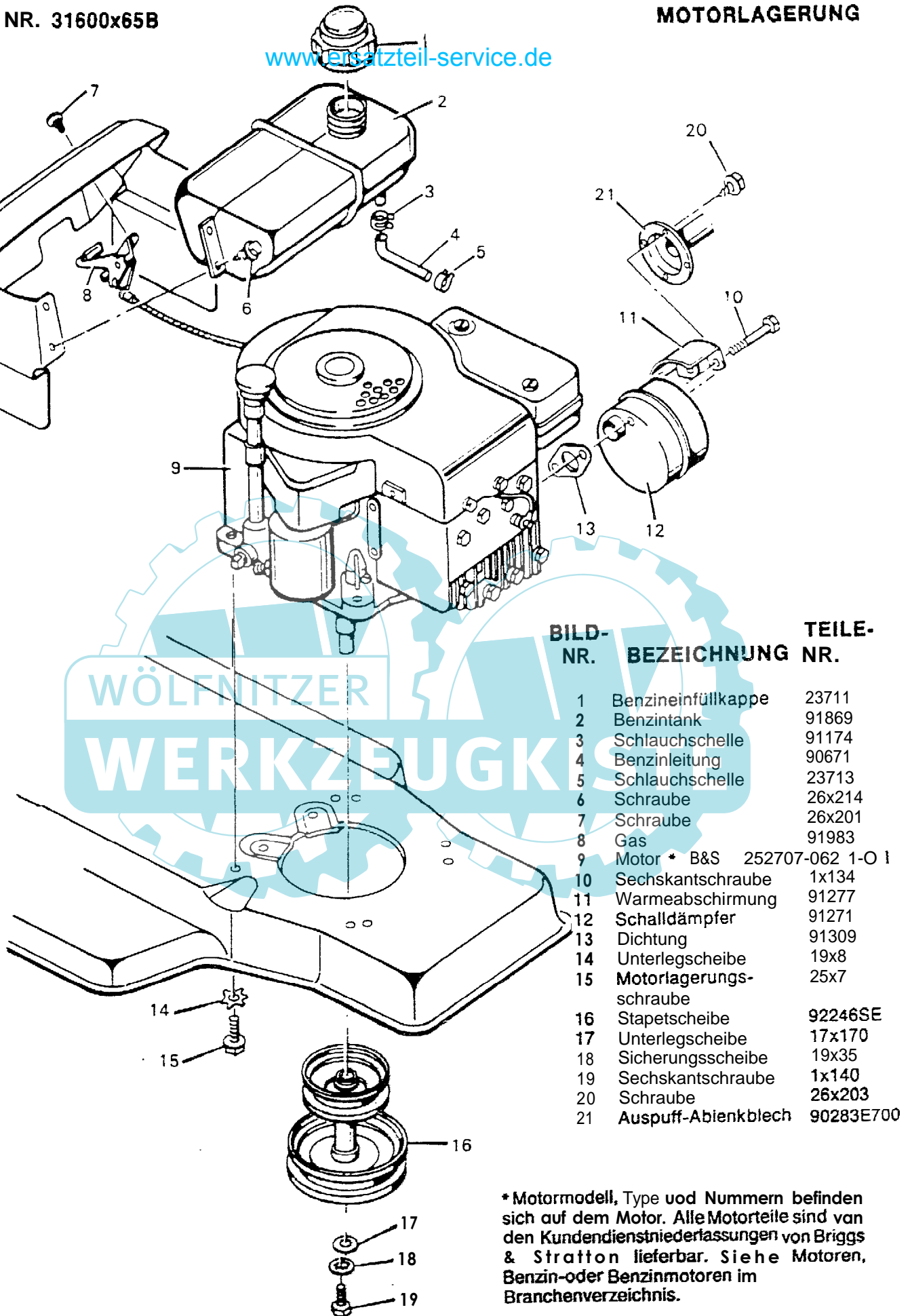
| BILD-Nr?. | BEZEICHNUNG                          | TEILE-NR.    |
|-----------|--------------------------------------|--------------|
| 1         | Lenkrad                              | 92078        |
| 2         | Sechskantmutter                      | 15x90Z       |
| 3         | Sechskantschraube                    | <b>1x66</b>  |
| 4         | Lenksäule                            | 918602       |
| 5         | Sechskantschraube                    | 1 x74        |
| 6         | Schraube                             | 26x249       |
| 7         | Zahnsegmentwinkel . *                | 91716E700    |
| a         | Ritzelgetriebe                       | 402075       |
| 9         | Lager . *                            | 91756        |
| 10        | Sechskantschraube **                 | 1x84         |
| 11        | Sicherungsmutter, Flansch-           | 15x87        |
| 13        | Zahnsegment                          | 402075       |
| 14        | Zahnsegmentwinkel . +                | 91708E700    |
| 15        | Spurstange                           | 91749E700    |
| 16        | Sechskantschraube                    | 1x138        |
| 17        | Stütze, Hinterachse                  | 91702E700    |
| 18        | Lenkspurstange                       | 90038E700    |
| 19        | Splint                               | 30x49        |
| 20        | Lager                                | 90035        |
| 21        | Unterlegscheibe                      | 17x57        |
| 22        | Splint                               | 30x20        |
| 23        | Unterlegscheibe                      | 17x113       |
| 24        | Spindel, rechte                      | 91828E700    |
| 25        | Spindel, Achse und linke             | 91827E700    |
| 26        | <b>Stütze</b> , vorderer Fahrschemel | 91701 E700   |
| 27        | Reifen *                             | 91912        |
| --        | Schlauch                             | 407047       |
| 28        | Ventilschalf und -kappe              | 24373        |
| 29        | Lager, Rad                           | 91334        |
| 30        | Unterlegscheibe                      | 17x115       |
| 31        | Rad und Reifen                       | 91913-601    |
| 32        | Lager . *                            | 92097        |
| 33        | Sicherungsmutter, Flansch- **        | 15x113       |
| <b>36</b> | Unterlegscheibe **                   | <b>17x83</b> |
| 38        | Radkappe (Sonderausführung)          | 24582        |

\* Bei Bestellung von Reifen bitte Reifenmodell angeben, so daß Sie die richtige Ptoftiefe des Reifens erhalten.

\*\* Auch in Nr. 8 und Nr. 13 eingeschlossen.

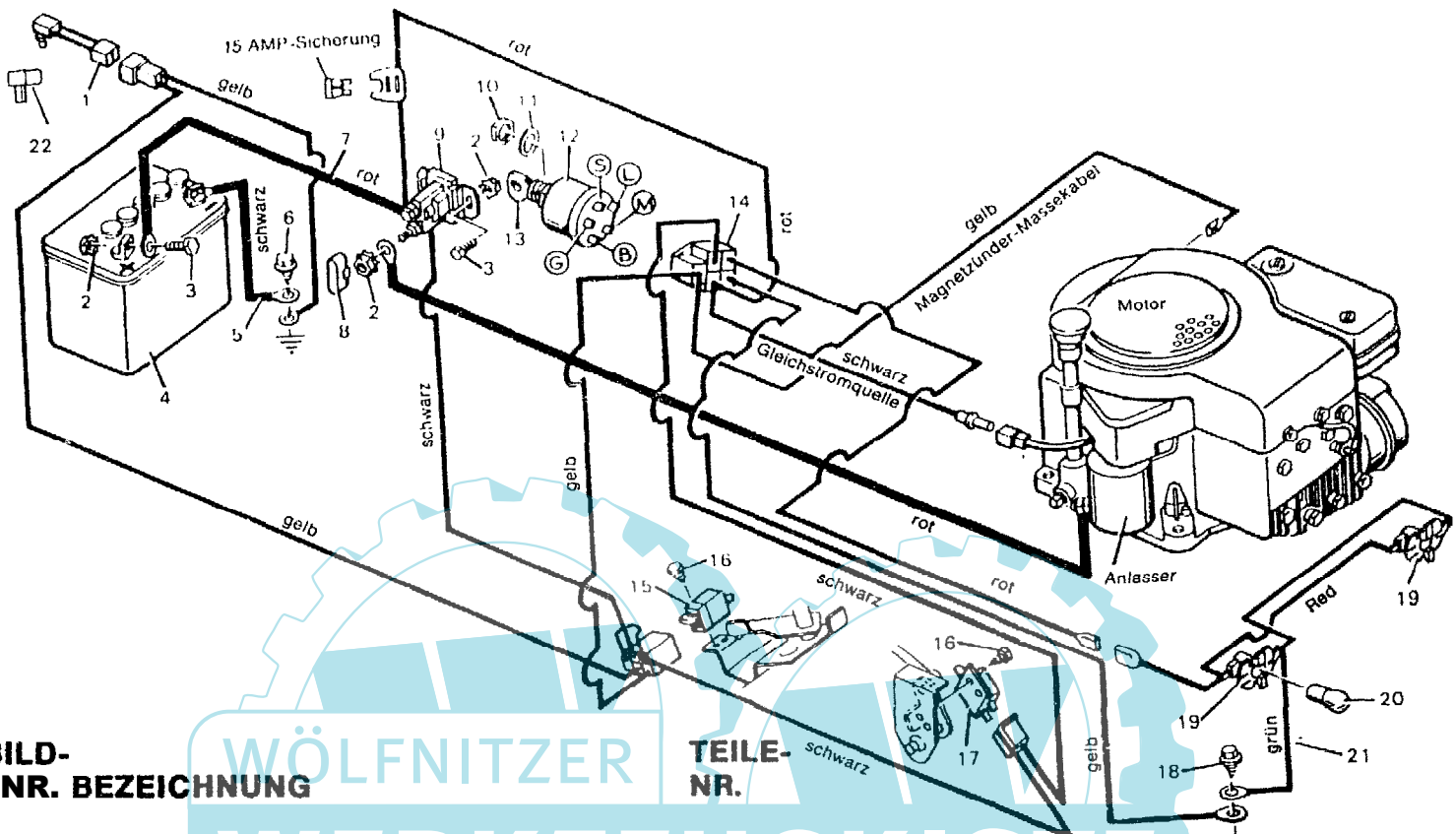


D-5704



\* Motormodell, Type uod Nummern befinden sich auf dem Motor. Alle Motorteile sind von den Kundendienstniederfassungen von Briggs & Stratton lieferbar. Siehe Motoren, Benzin-oder Benzinmotoren im Branchenverzeichnis.

D-5703-2



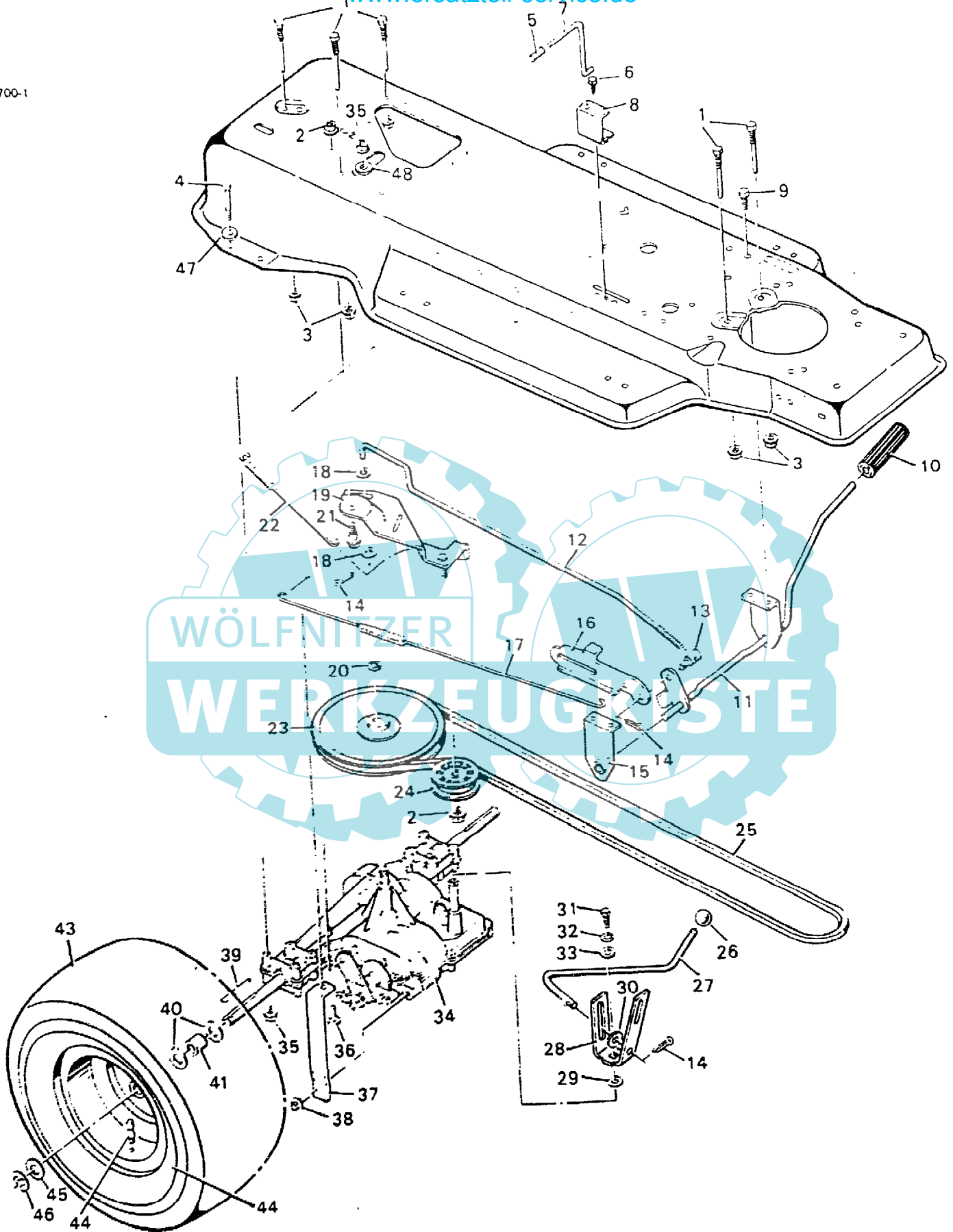
**BILD-  
NR. BEZEICHNUNG**

**TEILE-  
NR.**

|    |                            |        |
|----|----------------------------|--------|
| 1  | Sitzschalter               | 91031  |
| 2  | Sicherungsmutter           | 15x66  |
| 3  | Sechskantschraube          | 1x38Z  |
| 4  | 20 AMP-Batterie            | 91414  |
| -- | Batterieslure (Elektrolyt) | 55702  |
| 5  | Batteriederungskabel       | 24x9   |
| 6  | Schraube                   | 26x249 |
| 7  | Batteriekabel, rot         | 24x12  |
| 8  | Magnetspulenkappe          | 56049  |
| 9  | Magnetspule                | 24285  |
| 10 | Sechskantmutter            | 15x105 |
| 11 | Sicherungsscheibe          | 19x40  |
| 12 | Zündschalter               | 91846  |
| 13 | Zündschlüssel              | 20729  |
| 14 | Kabelbaum                  | 250x22 |
| -- | Sicherung                  | 54212  |
| -- | Sicherungshalter           | 407078 |
| 15 | Endschalter                | 91299  |
| 16 | Schraube                   | 26x233 |
| 17 | Zündschalter, Kupplung     | 24273  |
| 18 | Schraube                   | 26x214 |
| 19 | Lampenfassung              | 91890  |
| 20 | Scheinwerferbirne          | 91954  |
| 21 | Kabelbaum                  | 250x23 |
| 22 | Batterieklemmendeckel      | 54148  |

C-14

D-5700-1

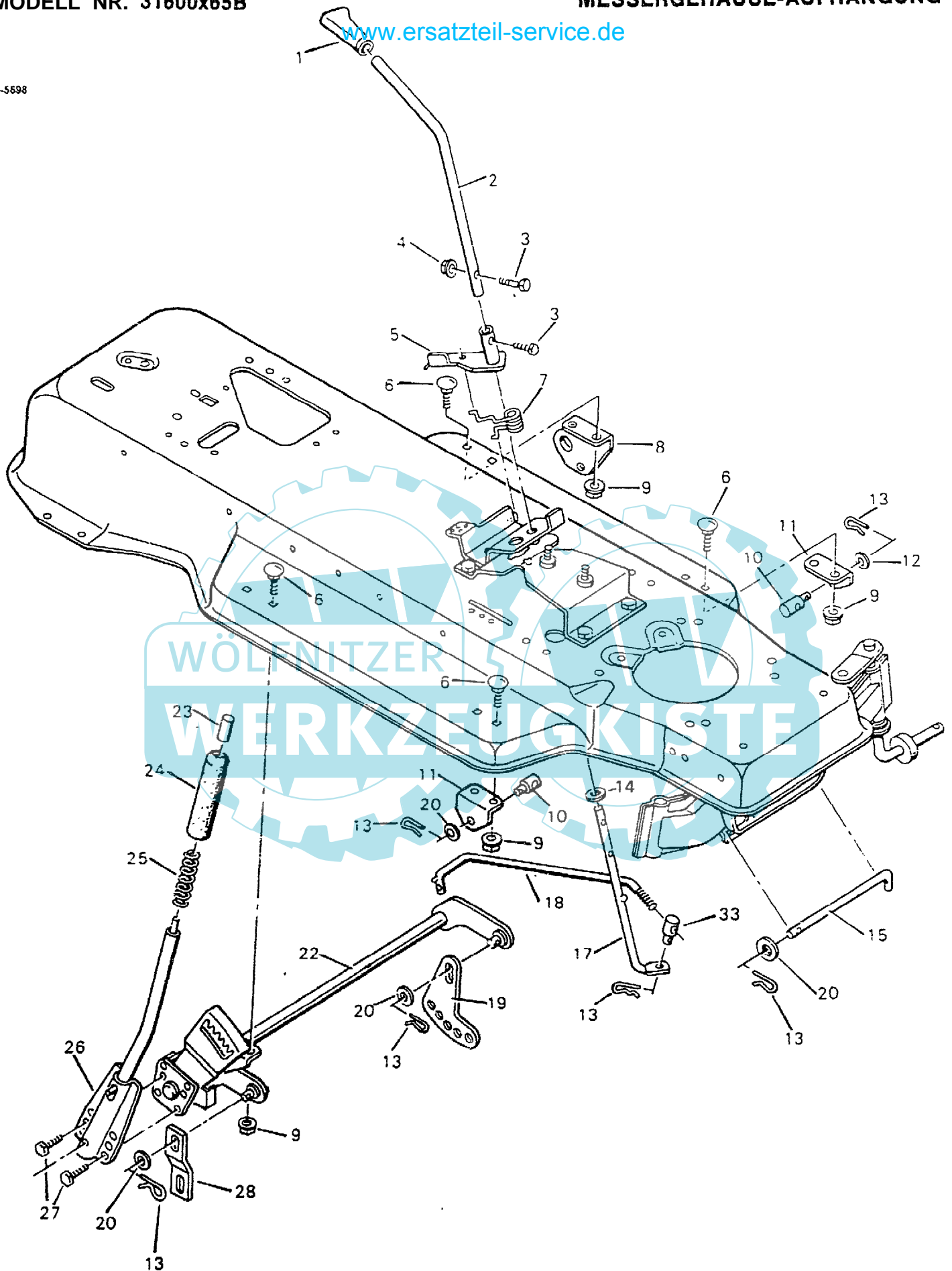


| BILD-NR. | BEZEICHNUNG                | TEILE-NR. |
|----------|----------------------------|-----------|
| 1        | Riemenführung              | 91754     |
| 2        | Sicherungsmutter, Flansch- | 15x84     |
| 3        | Mutter, Flansch            | 15x792    |
| 4        | Sechskantschraube          | 1x99      |
| 5        | Griff                      | 91079     |
| 6        | Schraube                   | 26x214    |
| 7        | Parkbremsenhebel           | 91727E700 |
| 8        | Parkbremswinkel            | 91825E700 |
| 9        | Schraube                   | 26x249    |
| 10       | Kupplungs- und Bremspedal  | 21544     |
| 11       | Hebel                      | 91862E700 |
| 12       | Kupplungsstange            | 918082    |
| 13       | einstellbare Mutter        | 21920     |
| 14       | Splint                     | 30x20     |
| 15       | Stützwinkel                | 91713E700 |
| 16       | Sicherung, Parkbremse      | 91712Z    |
| 17       | Zugfeder                   | 165x82    |
| 18       | Unterlegscheibe            | 17x472    |
| 19       | Winkel, Laufrolle          | 920292    |
| 20       | Haltering                  | 11x7      |
| 21       | Ansatzschraube             | 9x39      |
| 22       | Zugfeder                   | 165x76    |
| 23       | Riemenscheibe              | 91807     |
| 24       | Riemenspannrolle           | 91179     |
| 25       | Antriebsriemen             | 37x61     |
| 26       | Knopf, Schalthebel         | 91995     |
| 27       | Schalthebel                | 918052    |
| 28       | Pahrtriantriebsriemen      | 91806Z    |
| 29       | Unterlegscheibe            | 17x148    |
| 30       | Unterlegscheibe            | 17x102Z   |
| 31       | Sechskantschraube          | 1x82      |
| 32       | Sicherungsscheibe          | 18x32     |
| 33       | Unterlegscheibe            | 17x38Z    |
| 34       | Achseinheit **             | 930-012   |
| 35       | Sicherungsmutter. Flansch- | 15x88     |
| 36       | Schloßschraube             | 2x64      |
| 37       | Stütze, Achseinheit        | 91804E700 |
| 36       | Schraube                   | 26x216    |
| 39       | Vierkantkeil               | 21553     |
| 46       | Unterlegscheibe            | 17x160    |
| 41       | Distanzstück, Achseinheit  | 917572    |
| 42       | Reifen *                   | 91914     |
|          | Schiauch                   | 407049    |
| 43       | Rad und Reifen             | 91924-601 |
| 44       | Ventilschaft und -kappe    | 24373     |
| 45       | Unterlegscheibe            | 17x115    |
| 46       | E-Ring                     | 11x3      |
| 47       | Unterlegscheibe            | 17x146Z   |
| 4 6      | Unterlegscheibe            | 17x45     |

\* Bei Bestellung von Reifen bitte Reifenmodell angeben, so daß Sie die richtige Profiltiefe des Reifens erhalten.

\*\* Teile liefert Ihr Tecumseh Kundendienst. Siehe "Motoren, Benzin-" oder "Benzinmotoren" im Branchenverzeichnis.

D-5698

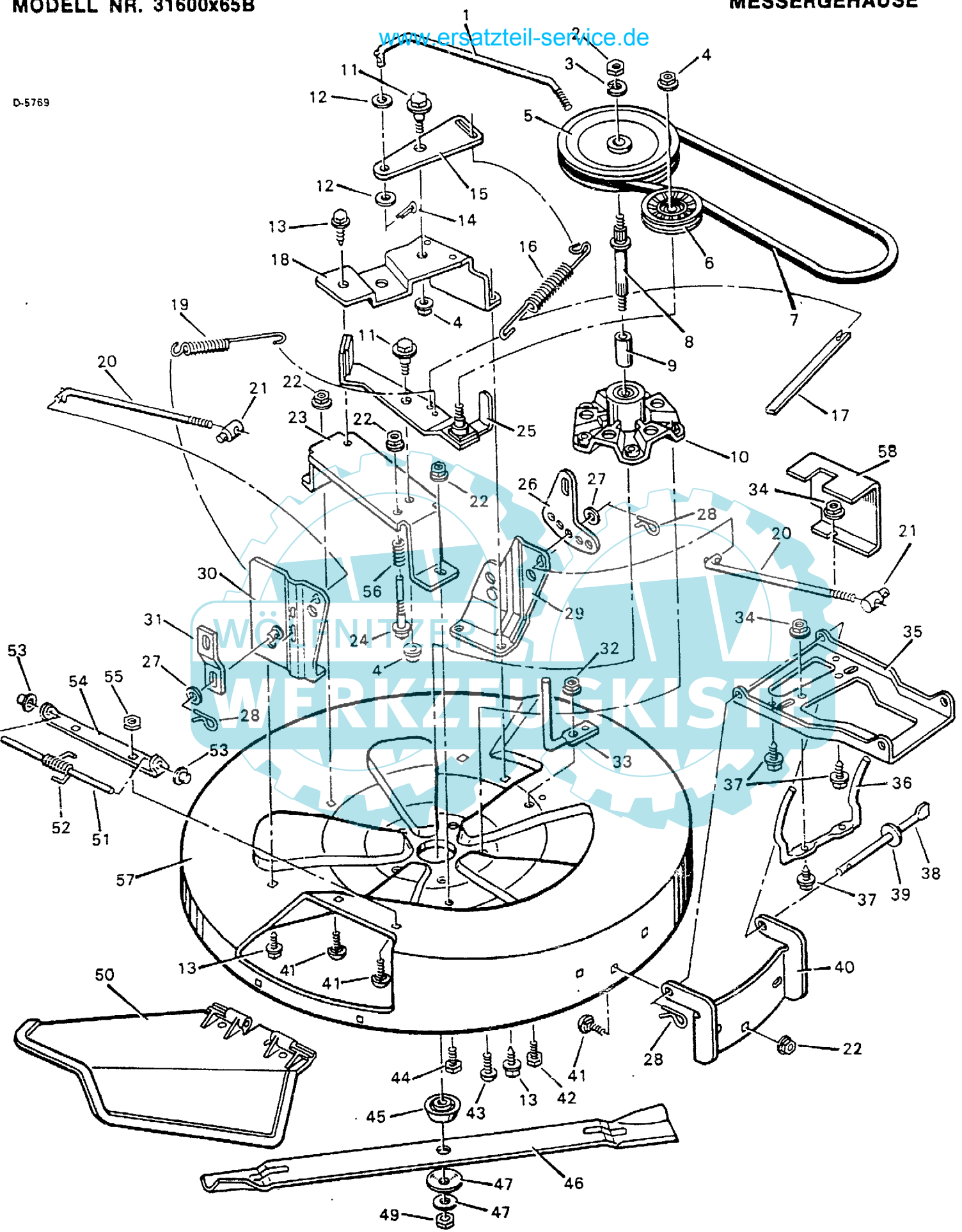


| BILD-NR. | BEZEICHNUNG               | TEILE-NR.  |
|----------|---------------------------|------------|
| 1        | Griff                     | 55449      |
| 2        | Messerschalthebel         | 917812     |
| 3        | Sechskantschraube         | 25x3       |
| 4        | Sechskantsicherungsmutter | 15x67      |
| 5        | Hebel, Zündschalter       | 91917E700  |
| 6        | Schloßschraube            | 2x53       |
| 7        | Drehfeder                 | 166x32     |
| a        | Aufhangungswinkel         | 92066E700  |
| 9        | Mutter, Flansch           | 15x79      |
| 10       | Einstellmutter            | 92131      |
| 11       | Winkel, Einstellstange    | 92133E700  |
| 13       | Haarnadel                 | 31x4       |
| 14       | Unterlegscheibe           | 17x122     |
| 15       | Zugbolzen                 | 908272     |
| 17       | Messerschalthebel         | 91787E700  |
| 18       | Messereinstellstange      | 922832     |
| 19       | Einstellblech             | 91741 E700 |
| 20       | Unterlegscheibe           | 17x103     |
| 22       | Messergehäusehebel        | 92135E700  |
| 23       | Knopf                     | 91261      |
| 24       | Griff                     | 91398      |
| 25       | Druckfeder                | 164x21     |
| 26       | Messergehäusehebel        | 91823E700  |
| 27       | Schraube                  | 26x49      |
| 28       | Verbindung, Aufhängung    | 92064E700  |
| 29       | Unterlegscheibe           | 17x124     |
| 32       | Schraube                  | 26x238     |
| 33       | Einstellmutter            | 21920.     |



[www.ersatzteil-service.de](http://www.ersatzteil-service.de)

D-5769



| BILD-NR. | BEZEICHNUNG                      | TEILE-NR.  | BILD-NR. | BEZEICHNUNG                       | TEILE-NR.  |
|----------|----------------------------------|------------|----------|-----------------------------------|------------|
| 1        | Stange                           | 922122     | 30       | Winkel, rechte Messergehäusehebel | 92205E700  |
| 2        | Sicherungsmutter                 | 15x101     | 31       | Verbindung                        | 92064E700  |
| 3        | Sicherungsscheibe                | 18x33      | 32       | Mutter, Flansch                   | 15x68      |
| 4        | Sicherungsmutter, Flansch        | 15x84      | 33       | Riemenführung                     | 91797E700  |
| 5        | Scheibe, verkeilt                | 91951      | 34       | Sechskantmutter                   | 15x82      |
| 6        | Riemenspannrolle                 | 91801      | 35       | Aufhangung, vordere               | 92202E700  |
| 7        | Riemen, Mäherantrieb             | 37x74      | 36       | Riemenführung                     | 92213E700  |
| 8        | Dorn                             | 91922      | 37       | Schraube                          | 25x4       |
| 9        | Distanzstück                     | 91903      | 38       | Aufhangungsstange                 | 901072     |
| 10       | Dorngehäuse                      | 55962      | 39       | Unterlegscheibe                   | 17x57      |
| 11       | Ansatzschraube                   | 9x39       | 40       | Winkel, vordere Aufhangung        | 92203E700  |
| 12       | Unterlegscheibe                  | 17x46Z     | 41       | Schloßschraube                    | 2x53       |
| 13       | Schraube                         | 26x249     | 42       | Schraube                          | 1x85       |
| 14       | Splint                           | 30x20      | 43       | Schraube                          | 26x216     |
| 15       | Schwenkwinkel                    | 92209E700  | 44       | Schraube                          | 1x45       |
| 16       | Zugfeder                         | 165x91     | 45       | Messeradapter                     | 91926      |
| 17       | Plastikzeiger                    | 92163      | 46       | Messer                            | 55793E701  |
| 18       | Stütze, Schwenkwinkel            | 92208E700  | 47       | Unterlegscheibe                   | 17x166     |
| 19       | Zugfeder                         | 165x90     | 48       | Unterlegscheibe                   | 17x165     |
| 20       | Stange, Adjusting                | 917482     | 49       | Sechskantmutter                   | 15x100     |
| 21       | einstellbare Mutter              | 92131      | 50       | Ablenkblech, Schurre              | 55971      |
| 22       | Mutter, Flansch                  | 15x79      | 51       | Stange, Ablenkblech               | 211972     |
| 23       | Stütze, Lenkzwischenhebel        | 92211 E700 | 52       | Drehfeder                         | 166x4      |
| 24       | Riemenführung                    | 55826      | 53       | aufsebbare Kappe                  | 28x23      |
| 25       | Hebel, Laufrolle                 | 92221      | 54       | Scharnier, Ablenkblech            | 55963E700  |
| 26       | Einstellblech                    | 91741 E700 | 55       | Sicherungsmutter                  | 15x43      |
| 27       | Unterlegscheibe                  | 17x1032    | 56       | Feder                             | 164x1      |
| 28       | Haarnadel                        | 31x4       | 1-57     | Messergehäuse, komplett           | 403339     |
| 29       | Winkel, linke Messergehäusehebel | 92207E700  | 58       | Stapeischeibenschutz              | 92271 E700 |