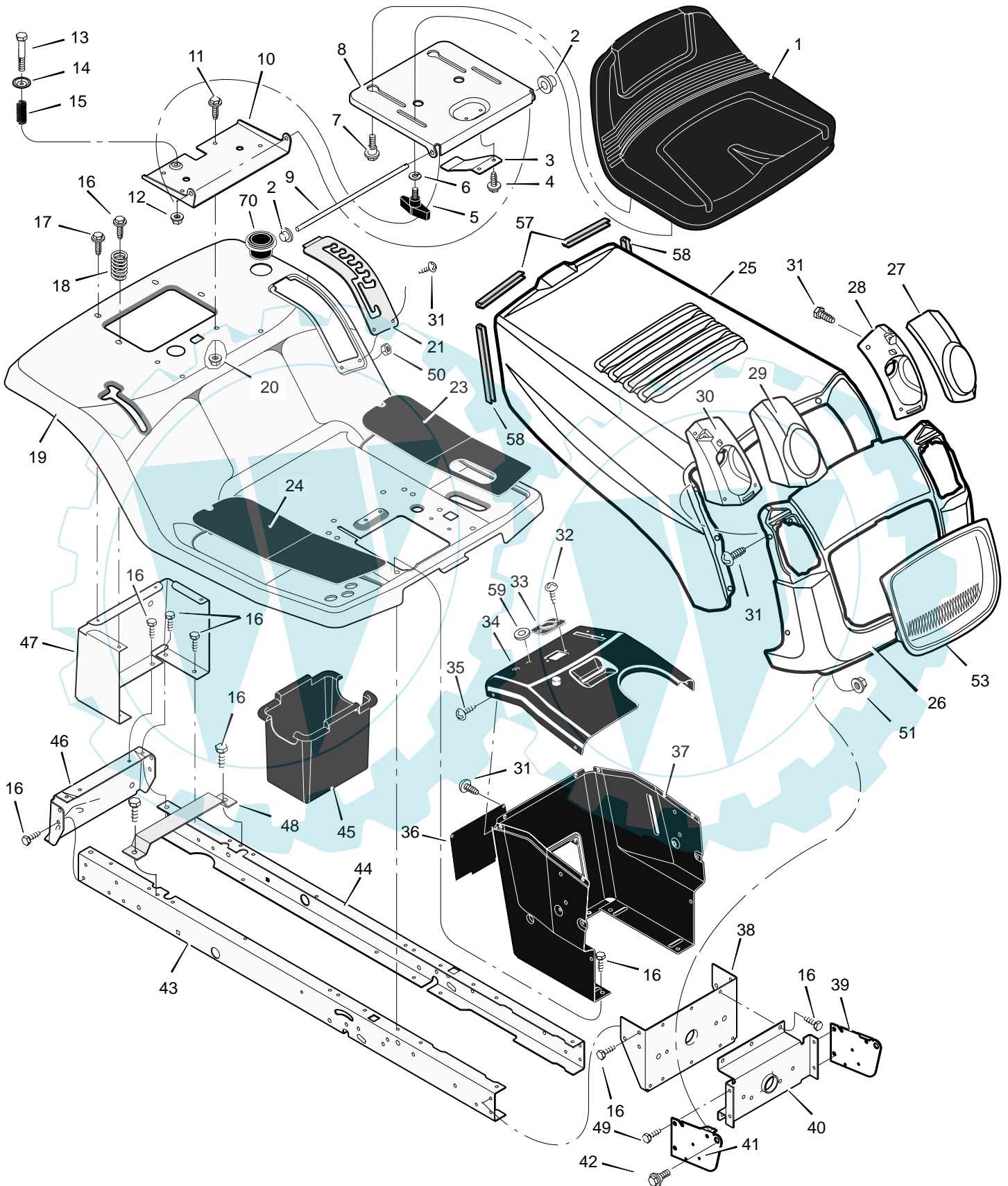


MODEL 312004x68A

REPAIR PARTS CHASSIS & HOOD



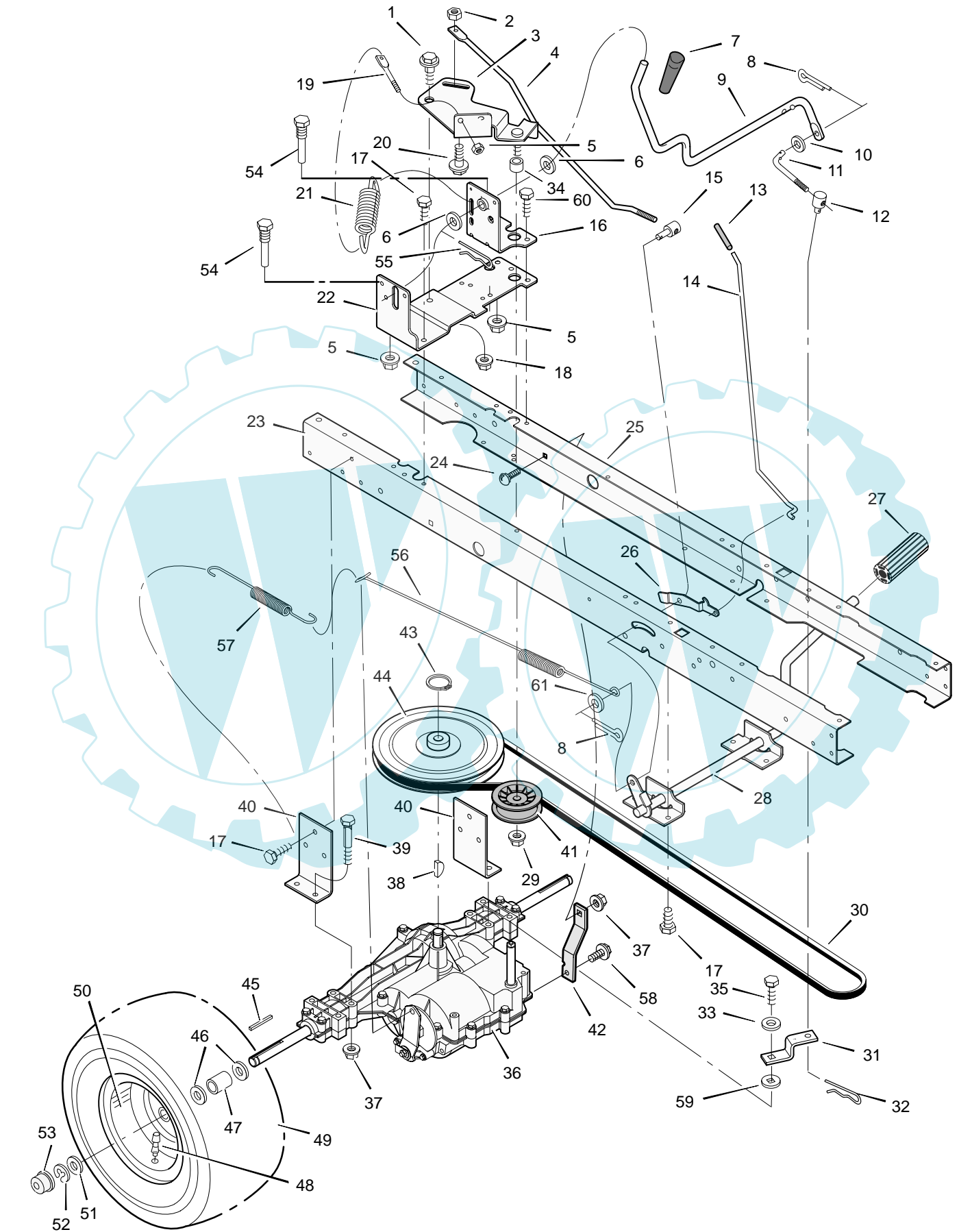
MODEL 312004x68A

REPAIR PARTS CHASSIS & HOOD

Key No.	Part No.	Description	Key No.	Part No.	Description
1	690566	Seat	30	1001543E700	Housing, Right Headlamp
2	028x23	Cap, Push On	31	26x270	Screw
3	094057	Spring	32	26x238	Screw
4	26x229	Screw	33	1001491	Bearing, Steering
5	1001054	Bolt, Wing	34	1001584E701	Dash
6	017x47 Z	Washer	35	26x201	Screw
7	009x56	Bolt, Shoulder	36	093007E701	Panel, Access
8	094154E701	Support, Seat	37	095318E701	Support, Dash
9	094156 Z	Rod, Pivot	38	1001270E701	Bracket, Rear Hanger
10	1001648E701	Bracket, Pivot	39	094085E701	Support, Left Grille
11	001x45	Bolt	40	094007E701	Axle, Hanger
12	015x89	Nut	41	094084E701	Support, Right Grille
13	009x55	Bolt, Shoulder	42	009x58	Bolt, Shoulder
14	094155 Z	Washer	43	1001928E701	Frame, Right
15	164x31	Spring	44	1001927E701	Frame, Left
16	26x249	Screw	45	690424	Container, Battery
17	26x263	Screw	46	1001002E701	Plate, Hitch
18	164x30	Spring	47	690434E701	Panel, Rear
19	1001558E700	Deck, Seat	48	690482E701	Support, Battery
20	15x123	Nut	49	26x277	Screw
21	094151E701	Plate, Index	50	015x81	Nut
23	094999	Mat, Left	51	15x124	Nut
24	094998	Mat, Right	53	1001540	Insert, Grille
25	1001538E700	Hood	57	1001652	Trim, Hood (3.75")
26	1001531E700	Grille	58	1001653	Trim, Hood (6.5")
27	1001546	Lens, Left	59	1001755	Grommet, Parking Brake
28	1001544E700	Housing, Left Headlamp	70	1001542	Holder, Cup
29	1001545	Lens, Right	—	F-040726L	Instruction Book & Parts List

MODEL 312004x68A

REPAIR PARTS MOTION DRIVE



F-040726L

MODEL 312004x68A

REPAIR PARTS MOTION DRIVE

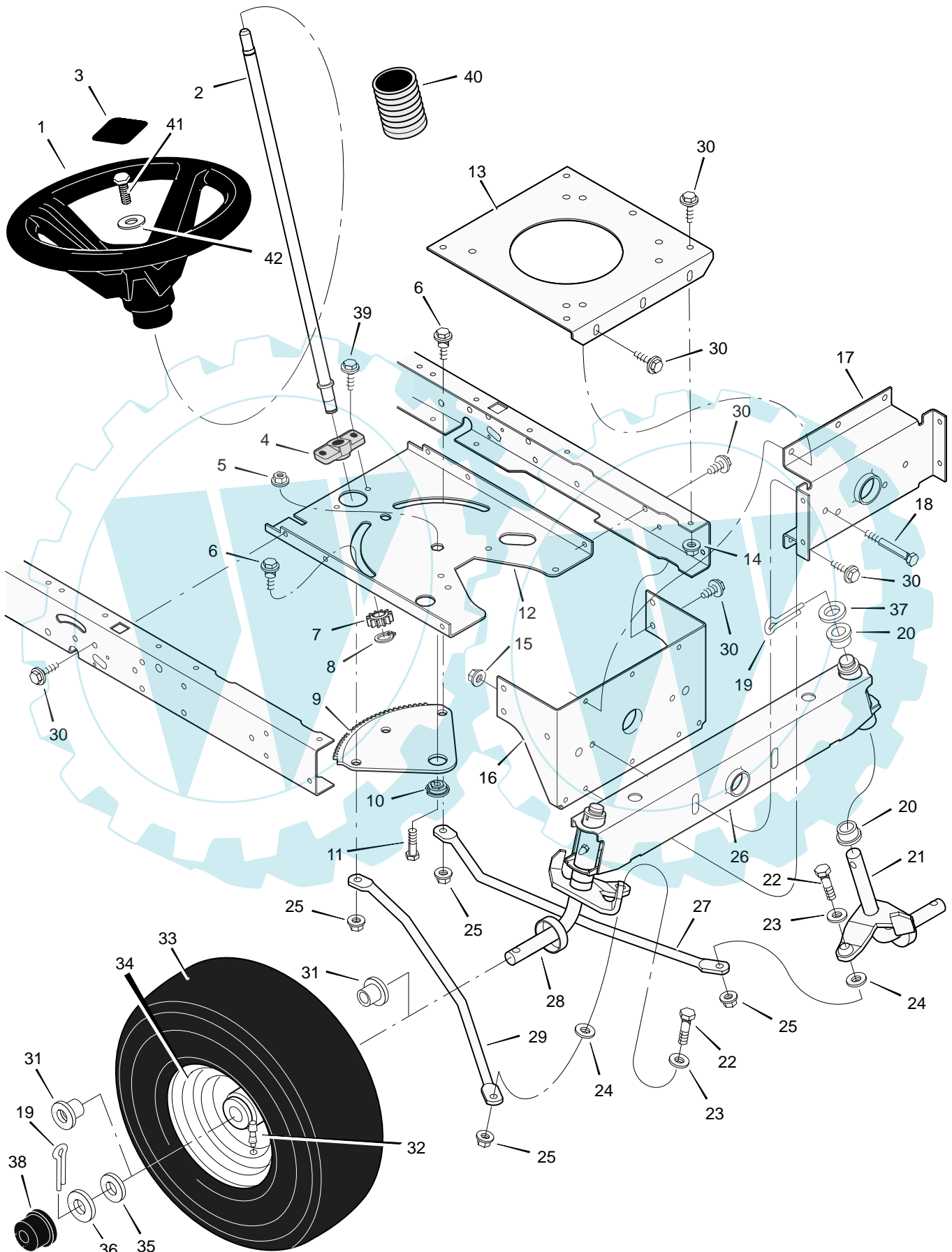
Key No.	Part No.	Description	Key No.	Part No.	Description
1	009x39	Bolt, Shoulder	32	0031x6	Pin, Hair
2	015x89	Nut, Hex	33	017x38	Washer
3	690173 Z	Arm, Idler	34	690369	Spacer
4	094041 Z	Rod, Clutch	35	06x105	Bolt
5	015x79	Nut	36	— ** — —	Transaxle, Peerless
6	17x102	Washer	37	015x88	Nut
7	092697	Grip	38	020697	Key, Woodruff
8	030x20	Pin, Cotter	39	01x155	Bolt
9	094043 Z	Lever, Shift	40	094008E701	Bracket, Transaxle
10	017x47 Z	Washer	41	690409	Pulley
11	094044 Z	Link, Shift	42	094433E700	Bracket, Transaxle Support
12	021920 Z	Nut, Adjuster	43	0011x7	E-Ring
13	091079	Grip	44	095094	Pulley, Drive
14	1001245 Z	Rod, Parking Brake	45	021553	Key, Square
15	094815 Z	Nut, Adjuster	46	17x160	Washer
16	1001303 Z	Bracket, Shift Pivot	47	690554 Z	Spacer, Transaxle
17	26x249	Screw	48	024373	Stem, Valve
18	015x84	Nut	49	7601048	Tire *
19	094042 Z	Mount, Stud Spring	—	407049	Tube
20	009x54	Bolt, Shoulder	50	690376-601	Wheel & Tire Assembly
21	165x116	Spring, Extension	51	17x195	Washer
22	1001302E701	Bracket, Right Shifter	52	0011x3	Ring Retainer
23	1001928E701	Frame, Right	53	094618	Hub Cap
24	002x53	Bolt, Carriage	54	093349	Guide, Belt
25	1001927E701	Frame, Left	55	0031x4	Pin, Hair
26	094045 Z	Latch, Parking Brake	56	165x141	Spring, Extension
27	021544	Pedal	57	165x92	Spring, Extension
28	94038E700	Lever, Brake/Clutch	58	26x216	Screw
29	015x98	Nut	59	17x148	Washer
30	037x87	Belt, Motion Drive	60	26x267	Screw
31	094031 Z	Yoke, Shift	61	17x169	Washer

* When you order a tire, make sure to give the brand name of the tire so that the tread pattern on the tire will match.

** For information on Replacement Parts on this transaxle contact the manufacturer.

MODEL 312004x68A

REPAIR PARTS
STEERING



F-040726L

MODEL 312004x68A

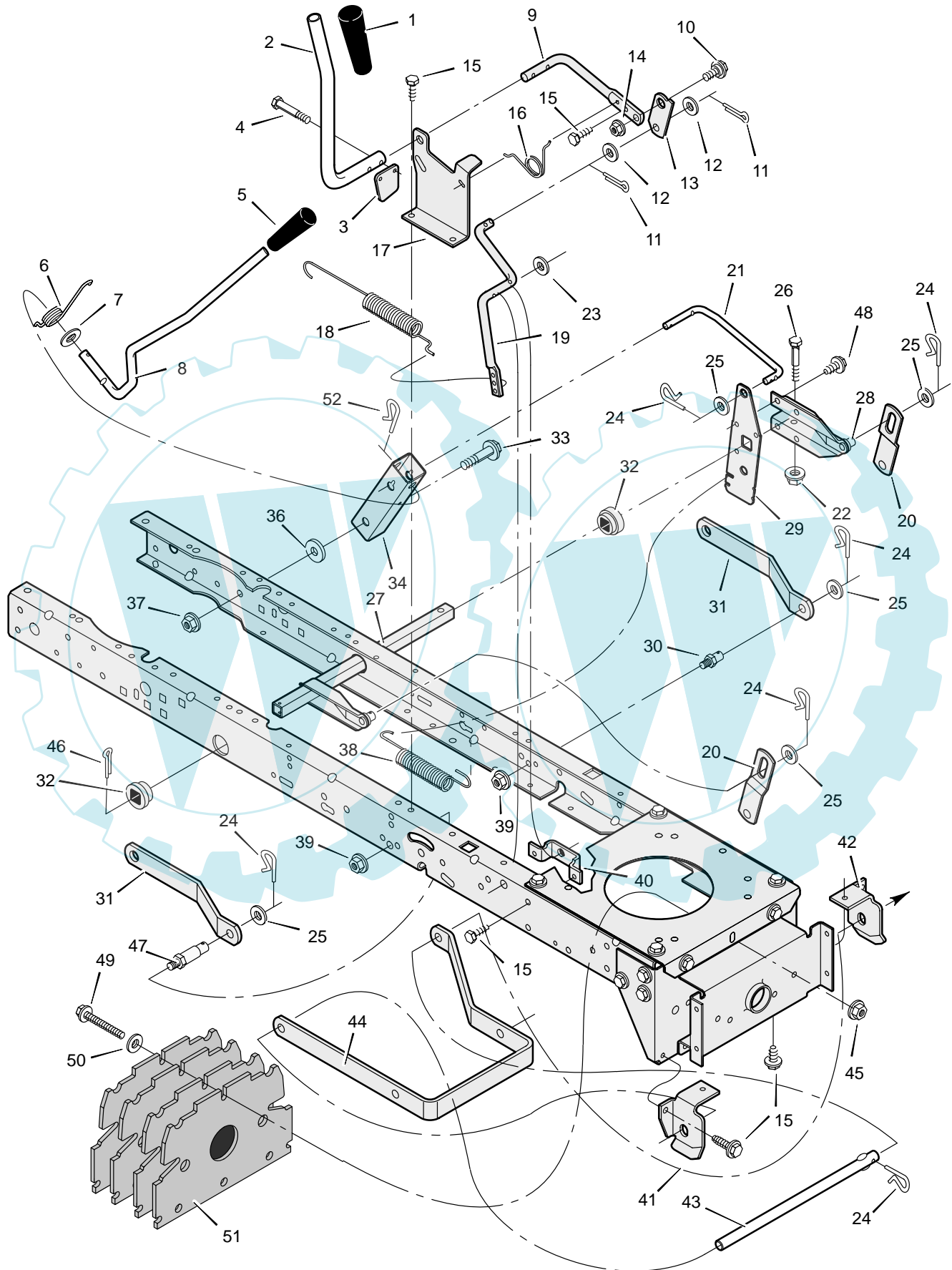
REPAIR PARTS STEERING

Key No.	Part No.	Description	Key No.	Part No.	Description
1	095336	Wheel, Steering	23	17x104	Washer
2	690625	Post, Steering	24	017x53 Z	Washer
3	095338	Insert, Steering Wheel	25	015x84	Nut, Flange
4	094124	Bearing	26	690210E701	Axle Assembly
5	15x111	Nut, Flange	27	095329E701	Drag Link, Left
6	009x57	Bolt, Shoulder	28	1001298E701	Spindle Assembly, Right
7	690183	Gear, Pinion	29	095328E701	Drag Link, Right
8	011x25	Ring, Snap	30	26x249	Screw
9	094121	Gear, Sector	31	091334	Bearing, Wheel
10	094123	Bearing	32	024373	Stem, Valve
11	001x84	Bolt	33	7601049	Tire *
12	1001121E701	Plate, Steering	—	407046	Tube
13	094006E700	Plate, Engine	34	690377-601	Wheel and Tire Assembly
14	015x88	Nut, Flange	35	17x192	Washer
15	15x118	Nut, Flange	36	17x113	Washer
16	1001270E701	Bracket, Hanger	37	017x83	Washer
17	094007E701	Axle, Hanger	38	094618	Hub Cap
18	01x146	Bolt	39	26x267	Screw
19	030x49	Pin, Cotter	40	092059	Bellows
20	690150	Bearing	41	0025x3	Bolt
21	1001299E701	Spindle Assembly, Left	42	17x146	Washer
22	01x111	Bolt			

* When you order a tire, make sure to give the brand name of the tire so that the tread pattern on the tire will match.

MODEL 312004x68A

REPAIR PARTS
MOWER HOUSING SUSPENSION



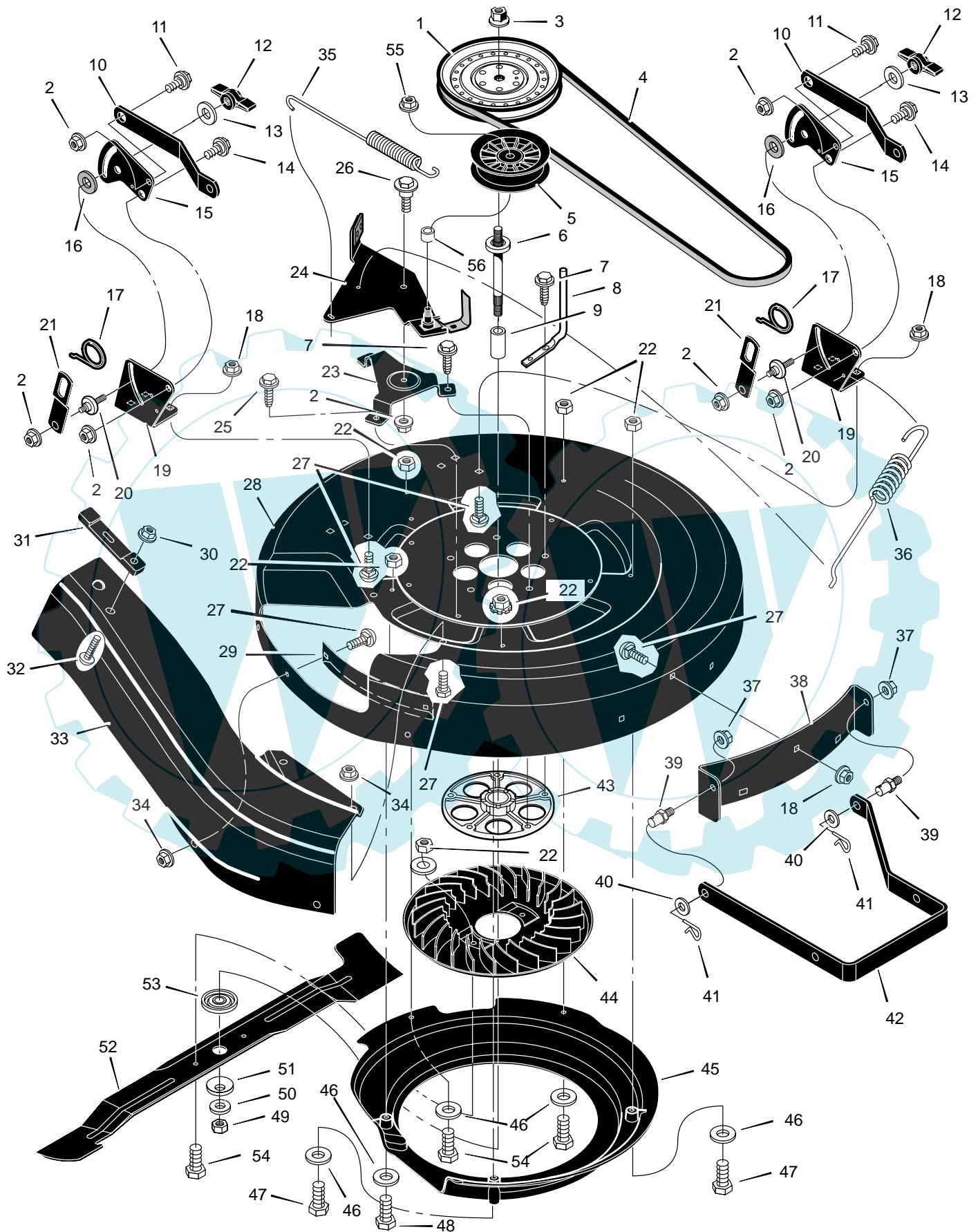
MODEL 312004x68A

REPAIR PARTS MOWER HOUSING SUSPENSION

Key No.	Part No.	Description	Key No.	Part No.	Description
1	092698	Grip	27	690386E700	Arm Assembly, Right Lift
2	094157 Z	Handle, PTO	28	094180E701	Arm, Right Lift
3	094022 Z	Pad, Switch	29	094030E701	Plate, Lift Arm
4	0025x3	Bolt	30	094067	Pin
5	092697	Grip	31	094055E701	Bracket, Rear Suspension
6	166x40	Spring	32	094065	Bushing, Lift Tube
7	17x103	Washer	33	009x53	Bolt, Shoulder
8	690533	Handle, Lift	34	094015E701	Bracket, Pivot
9	094017 Z	Lever, PTO	36	17x191	Washer
10	009x39	Bolt, Shoulder	37	015x84	Nut, Flange
11	030x20	Pin, Cotter	38	165x117	Spring
12	017x57	Washer	39	015x68	Nut, Flange
13	094004 Z	Link, PTO	40	094005E700	Bracket, PTO
14	015x84	Nut, Flange	41	094026E700	Hanger, Right Deck
15	26x249	Screw	42	094027E700	Hanger, Left Deck
16	166x39	Spring	43	094158 Z	Rod, Hanger
17	094018E701	Bracket, PTO	44	690381E700	Hanger, Front
18	165x118	Spring, PTO	45	015x89	Nut, Flange
19	690394E701	Crank, PTO	46	030x49	Pin, Cotter
20	094053E701	Link, Lift	47	690382	Pin, Threaded Shoulder
21	094028 Z	Link, Lift Handle	48	026x49	Screw
22	15x118	Nut, Flange	49	01x106	Bolt, Hex
23	017x57	Washer	50	017x38	Washer
24	0031x4	Pin, Hair	51	690370E701	Plate, Weight (4 Required)
25	017x91	Washer	52	0031x6	Pin, Hair
26	001x74	Bolt, Hex			

MODEL 312004x68A

REPAIR PARTS MOWER HOUSING



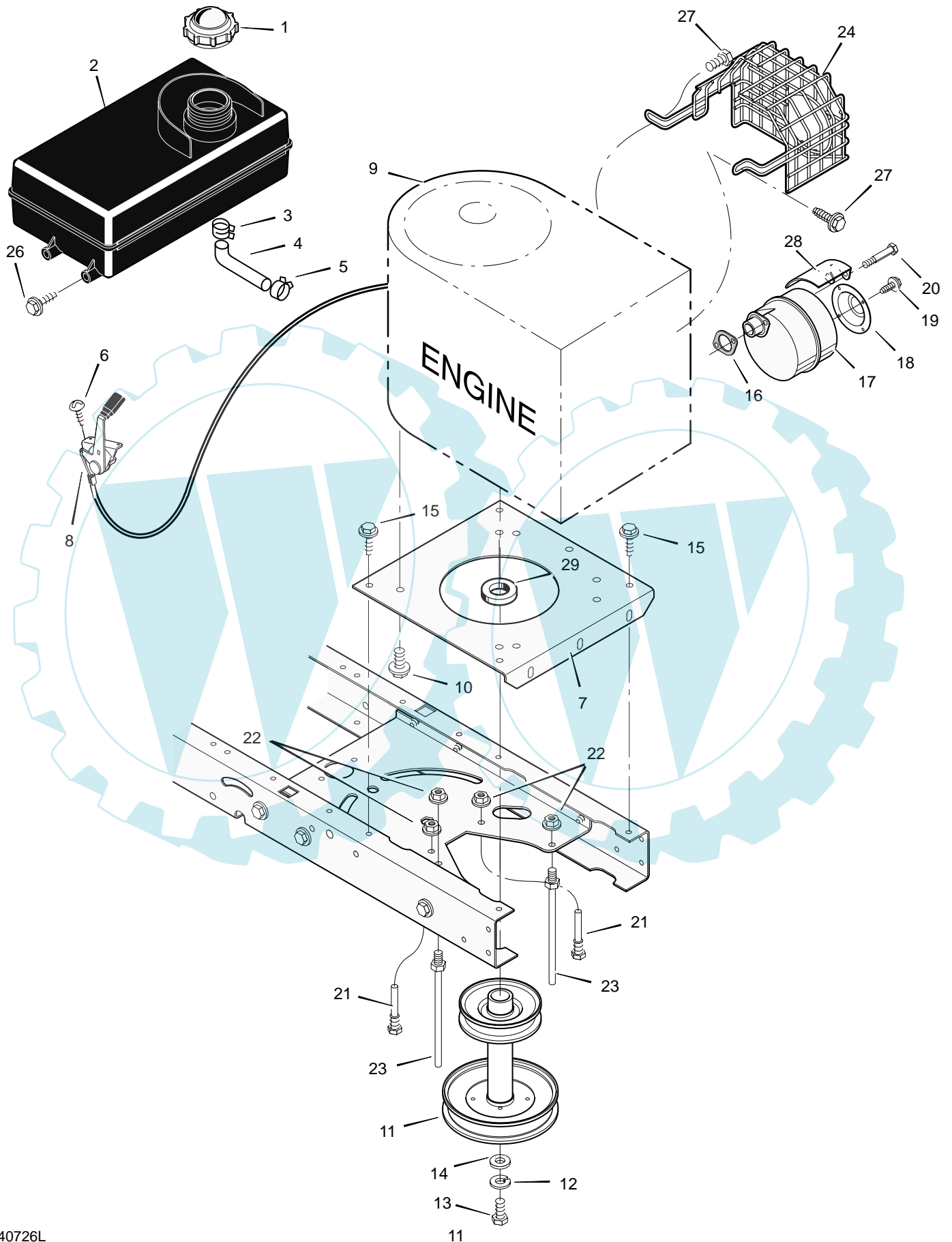
MODEL 312004x68A

REPAIR PARTS MOWER HOUSING

Key No.	Part No.	Description	Key No.	Part No.	Description
1	690432	Pulley	30	015x88	Nut, Flange
2	015x84	Nut, Flange	31	054695	Strap, Rubber
3	15x140	Nut	32	01x139	Screw
4	037x74	Belt, Blade	33	690367	Chute
5	690387	Pulley, Idler	34	015x79	Nut
6	094129	Mandrel	35	165x118	Spring, PTO
7	0025x7	Screw	36	165x140	Spring, Extension
8	092424	Guide, Belt	37	015x84	Nut, Flange
9	094130	Spacer	38	690380E700	Bracket, Front Deck
10	094055E701	Bracket, Rear Suspension	39	094067	Pin, Threaded Shoulder
11	009x52	Bolt, Shoulder	40	017x91	Washer
12	094068	Knob	41	0031x4	Pin, Hair
13	017x45	Washer	42	690381E700	Hanger, Front
14	009x51	Bolt, Shoulder	43	1401275	Housing, Jackshaft
15	690379E700	Plate, Suspension	44	690359	Fan, Assist
16	094137	Pad, Friction	45	1001237	Housing, Fan
17	166x43	Spring	46	017x37	Washer
18	015x79	Nut, Flange	47	001x71	Bolt
19	690378E700	Bracket, Rear Deck	48	001x106	Bolt
20	095194	Pin, Hanger	49	15x100	Nut
21	094053	Link, Lift	50	17x165	Washer
22	15x116	Nut	51	17x166	Washer, Belleville
23	690427E700	Bracket, Idler Arm	52	690398E701	Blade
24	690647	Assembly, Idler Arm & Pad	53	092466	Adapter, Blade
25	26x249	Screw	54	01x121	Bolt
26	009x39	Bolt, Shoulder	55	015x98	Nut, Flange
27	002x64	Bolt, Carriage	56	690369	Spacer
28	690530E701	Housing, Blade	1-56	776110	Blade Housing, Complete
29	690399E700	Baffle			

MODEL 312004x68A

REPAIR PARTS ENGINE MOUNT



MODEL 312004x68A

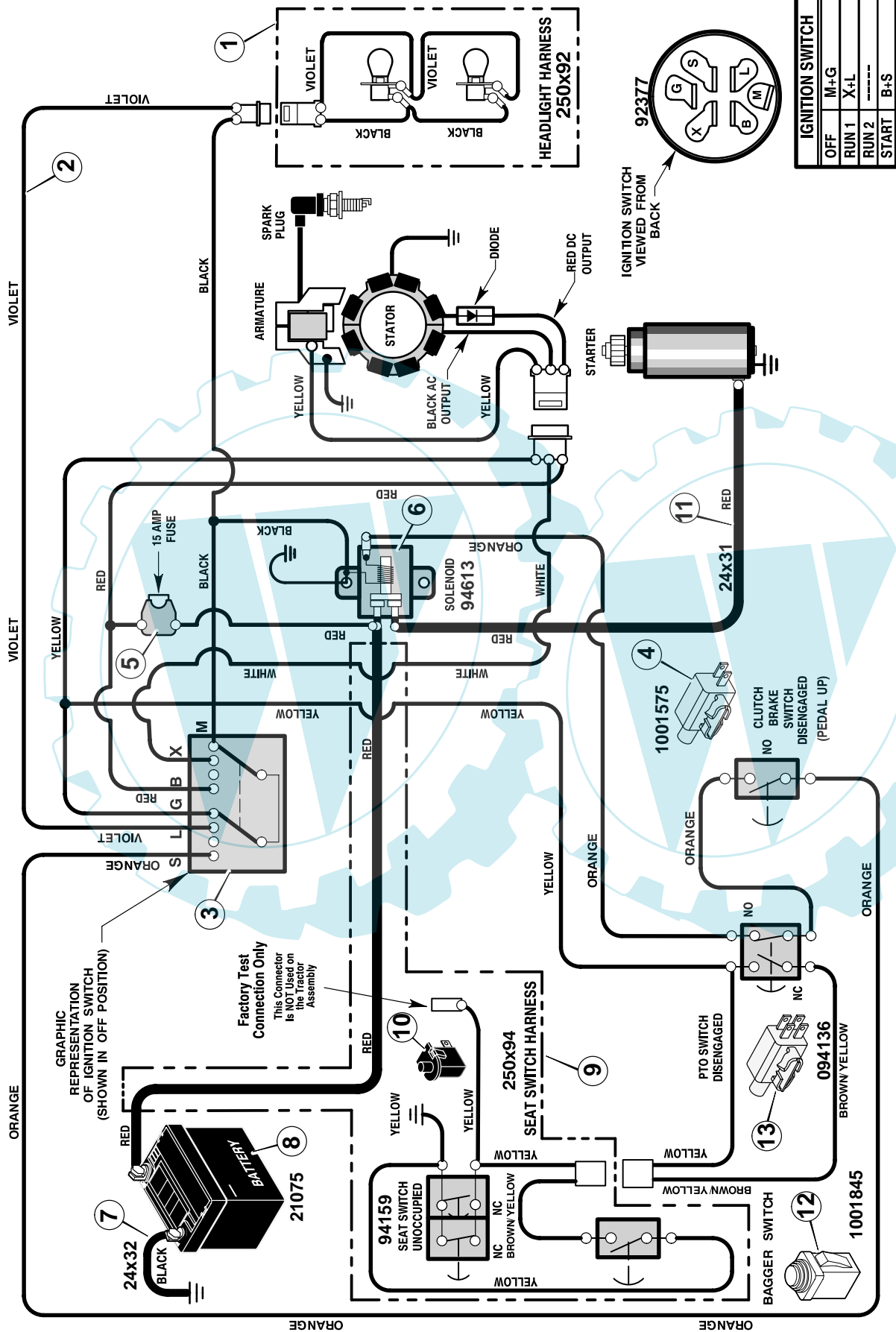
REPAIR PARTS ENGINE MOUNT

Key No.	Part No.	Description
1	092317	Fuel Cap
2	690280	Fuel Tank
3	095197	Hose Clamp (Incl'd w/Key 2)
4	7601033	Fuel Line (Incl'd w/Key 2) (Must cut to Length)
5	095197	Hose Clamp
6	26x201	Screw
7	094006E701	Plate, Engine
8	092371	Throttle Control
9	— * —	Engine, Briggs & Stratton
10	0025x7	Bolt, Engine Mount
11	690439 Z	Stack Pulley Assembly
12	019x35	Lockwasher
13	01x140	Bolt, Hex
14	17x170	Washer
15	26x249	Screw
16	091309	Gasket
17	091271	Muffler
18	1001350	Deflector, Muffler
19	26x208	Screw
20	01x134	Bolt, Hex
21	093349	Guide, Belt
22	015x79 Z	Nut, Flange
23	094066	Guide, Belt
24	1001595 Z	Shield, Heat
26	26x253	Screw
27	26x263	Screw
28	091277	Shield, Heat
29	093077	Spacer, Engine

* For information on Replacement Parts for this engine contact the manufacturer.

MODEL 312004x68A

REPAIR PARTS
ELECTRICAL SYSTEM

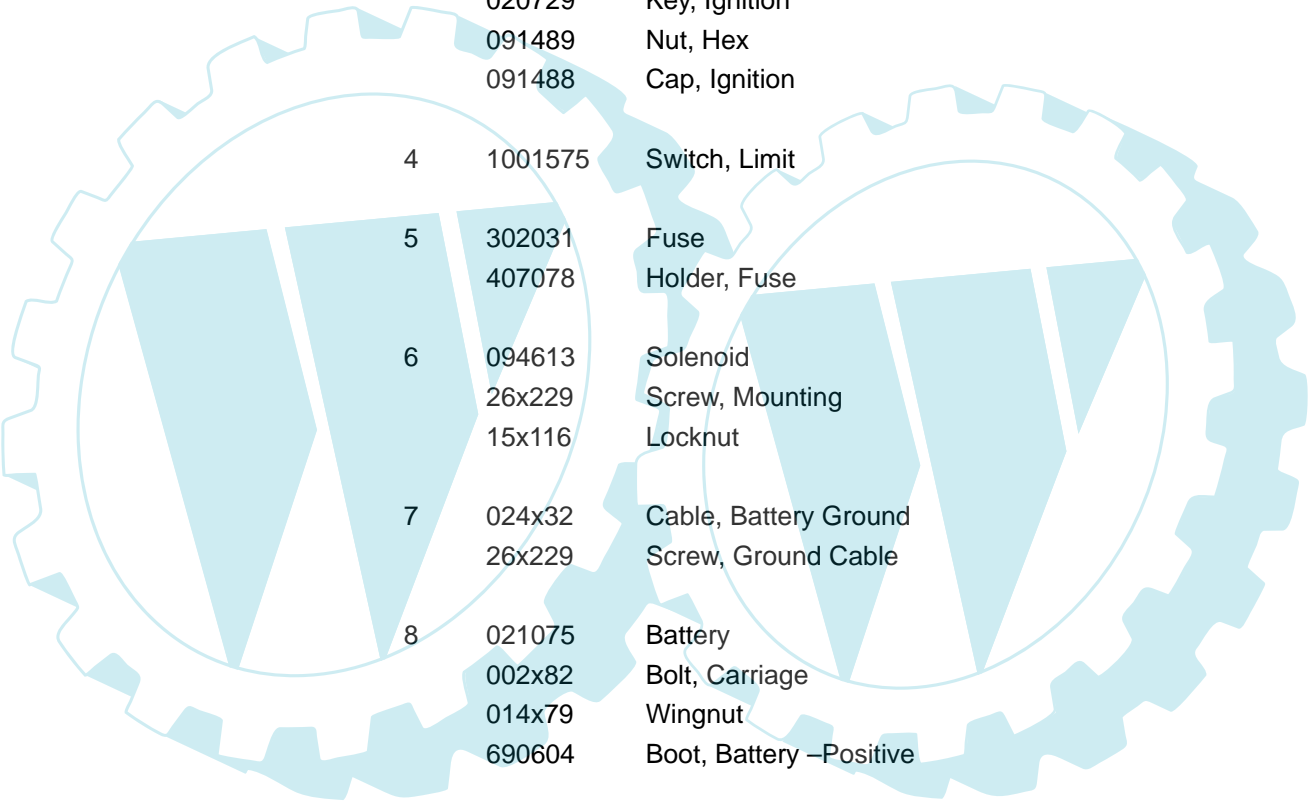


IGNITION SWITCH	
OFF	M+G
RUN 1	X+L
RUN 2	-----
START	B+S

MAIN HARNESS: 250X126
REAR HARNESS: 250X130
LIGHT HARNESS: 250X92

MODEL 312004x68A

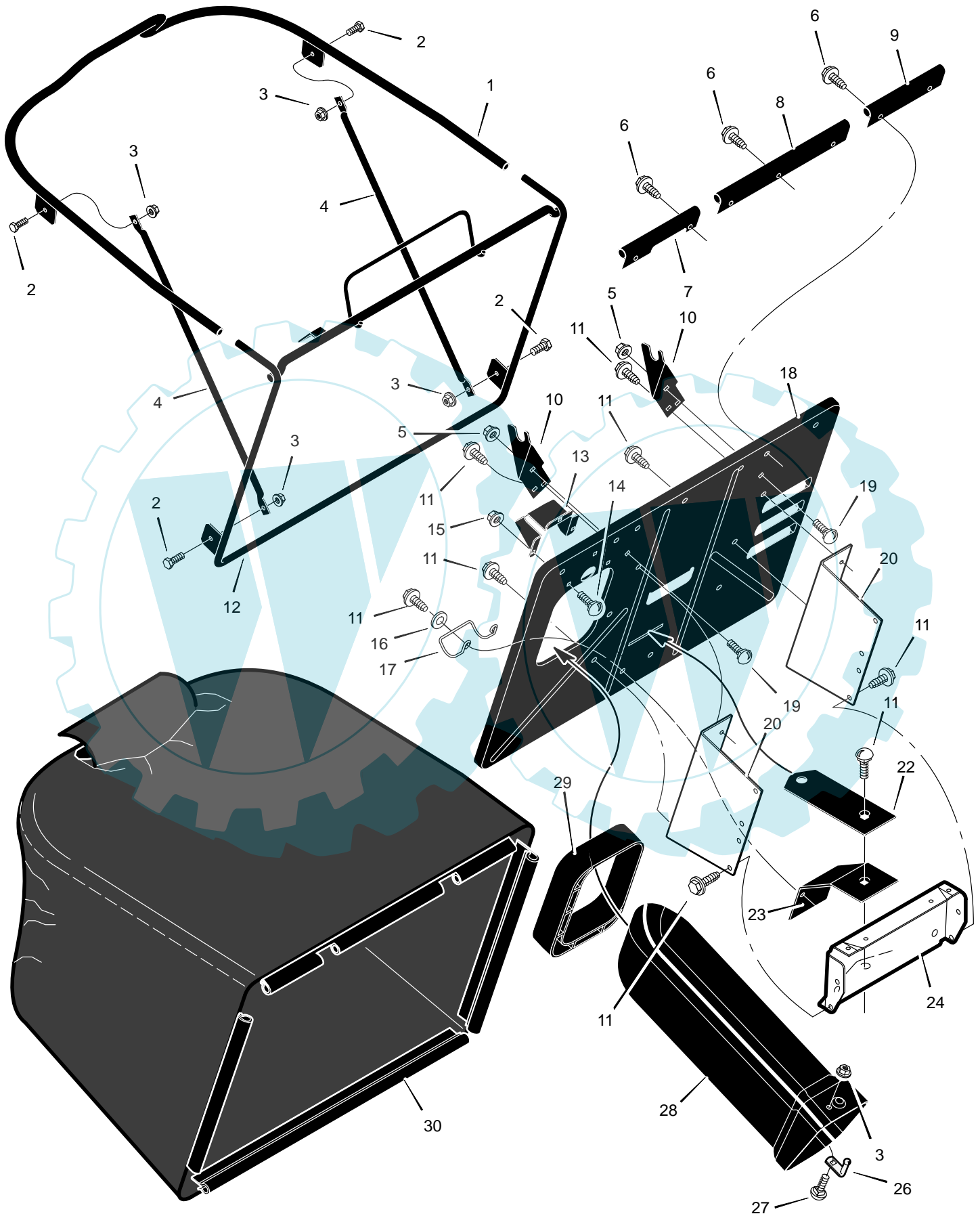
REPAIR PARTS ELECTRICAL SYSTEM



Key No.	Part No.	Description
1	250x92	Harness, Light Wire
	1001716	Socket, Light
	090084	Bulb, Light
2	250x126	Harness, Chassis Wire
3	092377	Switch, Ignition
	020729	Key, Ignition
	091489	Nut, Hex
	091488	Cap, Ignition
4	1001575	Switch, Limit
5	302031	Fuse
	407078	Holder, Fuse
6	094613	Solenoid
	26x229	Screw, Mounting
	15x116	Locknut
7	024x32	Cable, Battery Ground
	26x229	Screw, Ground Cable
8	021075	Battery
	002x82	Bolt, Carriage
	014x79	Wingnut
	690604	Boot, Battery –Positive
9	250x130	Harness, Seat Switch Wire
10	094159	Switch, Seat Sensor
11	024x31	Cable
12	1001845	Switch, Bag Sensor
13	094136	Switch, Limit –Bag

MODEL 312004x68A

REPAIR PARTS GRASS BAGGER



MODEL 312004x68A

REPAIR PARTS GRASS BAGGER

Key No.	Part No.	Description	Key No.	Part No.	Description
1	690404	Tube, Top	15	015x89	Nut, Flange
2	01x121	Bolt	16	17x185	Washer
3	15x116	Nut	17	690402	Latch, Spring
4	690433	Strut, Bag	18	690362E701	Pan, Rear
5	015x79	Nut, Flange	19	002x53	Bolt, Carriage
6	0193x2	Fastener, Panel	20	690355E700	Bracket, Bagger Mounting
7	690491	Seal, Bag (Right End)	22	1001000E701	Plate, Hitch
8	690492	Seal, Bag (Center)	23	1001001E701	Bracket, Lower Mounting
9	690493	Seal, Bag (Left End)	24	1001002E701	Plate, Hitch
10	690356E700	Hinge	26	054563	Pin, Latch
11	26x249	Screw	27	002x39	Bolt, Carriage
12	690403	Assembly, Bag Frame	28	690368	Tube, Connecting
13	690400E700	Bracket, Switch	29	690429	Grommet, Extension Tube
14	002x82	Bolt, Carriage	30	690438	Bag, Grass