

# MODEL 309029x50A

# REPAIR PARTS CHASSIS & HOOD



## MODEL 309029x50A

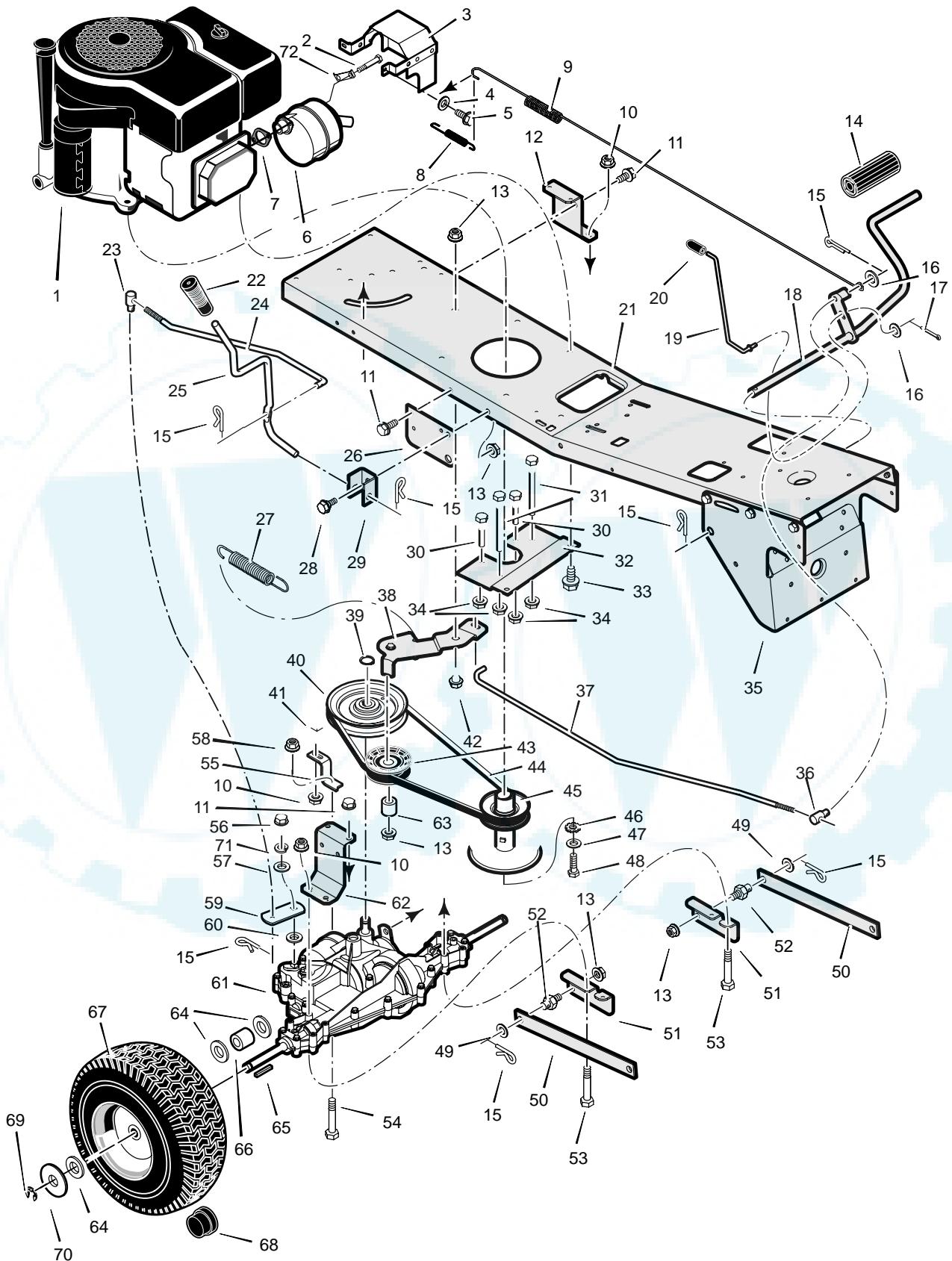
## REPAIR PARTS CHASSIS & HOOD

| Key No. | Description      | Part No.    | Key No. | Description           | Part No.    |
|---------|------------------|-------------|---------|-----------------------|-------------|
| 1       | Seat             | 690567      | 24      | Screw                 | 26x253      |
| 2       | Hood             | 1401027E245 | 25      | Screw                 | 26x263      |
| 3       | Washer           | 017x47      | 26      | Rod, Hood Prop        | 1401110     |
| 4       | Bolt, Wing       | 1001054     | 27      | Spring, Seat Deck     | 1401282     |
| 5       | Bolt, Carriage   | 002x53      | 28      | Bracket, Prop Rod     | 1401056E701 |
| 6       | Bracket, Hinge   | 1401036E701 | 29      | Screw                 | 26x201      |
| 7       | Bolt, Shoulder   | 009x29      | 30      | Nut, NY-Lock          | 15x116      |
| 8       | Bolt, Shoulder   | 009x56      | 31      | Control, Throttle     | 1401248     |
| 10      | Rod, Battery     | 1401113     | 32      | Cover, Detent (Gray)  | 1401214     |
| 11      | Nut, Flange      | 015x84      | 33      | Bolt, Shoulder        | 009x47      |
| 12      | Plate, Rear      | 1401025E701 | 36      | Footmat, Left         | 1401233     |
| 13      | Screw            | 26x249      | 37      | Footmat, Right        | 1401232     |
| 14      | Plate, Hitch     | 1401050E701 | 39      | Frame                 | 1401256E701 |
| 15      | Cover (Gray)     | 1401212     | 40      | Deck, Seat            | 1401219E245 |
| 16      | Screw            | 26x263      | 41      | Bumper                | 094744      |
| 17      | Tray, Battery    | 1401076E701 | 42      | Nut *                 | 15x116      |
| 18      | Nut, Flange      | 015x79      | 43      | Screw                 | 0025x2      |
| 19      | Washer           | 017x37      | 44      | Kit, Foil Heat Shield | 7601036     |
| 20      | Pin, Cotter      | 0031x6      | 45      | Trim, Left (Gray)     | 1401075     |
| 21      | Cap, Fuel Tank * | 092317      | 46      | Trim, Right (Gray)    | 1401074     |
| 22      | Tank, Fuel       | 7601040     | 47      | Fastener, Panel       | 0193x1      |
| 23      | Screw *          | 06x111      | --      | Book, Instruction     | F-020604L   |

\* These parts are included when ordering Key number 22.

# MODEL 309029x50A

# REPAIR PARTS MOTION DRIVE



# MODEL 309029x50A

# REPAIR PARTS MOTION DRIVE

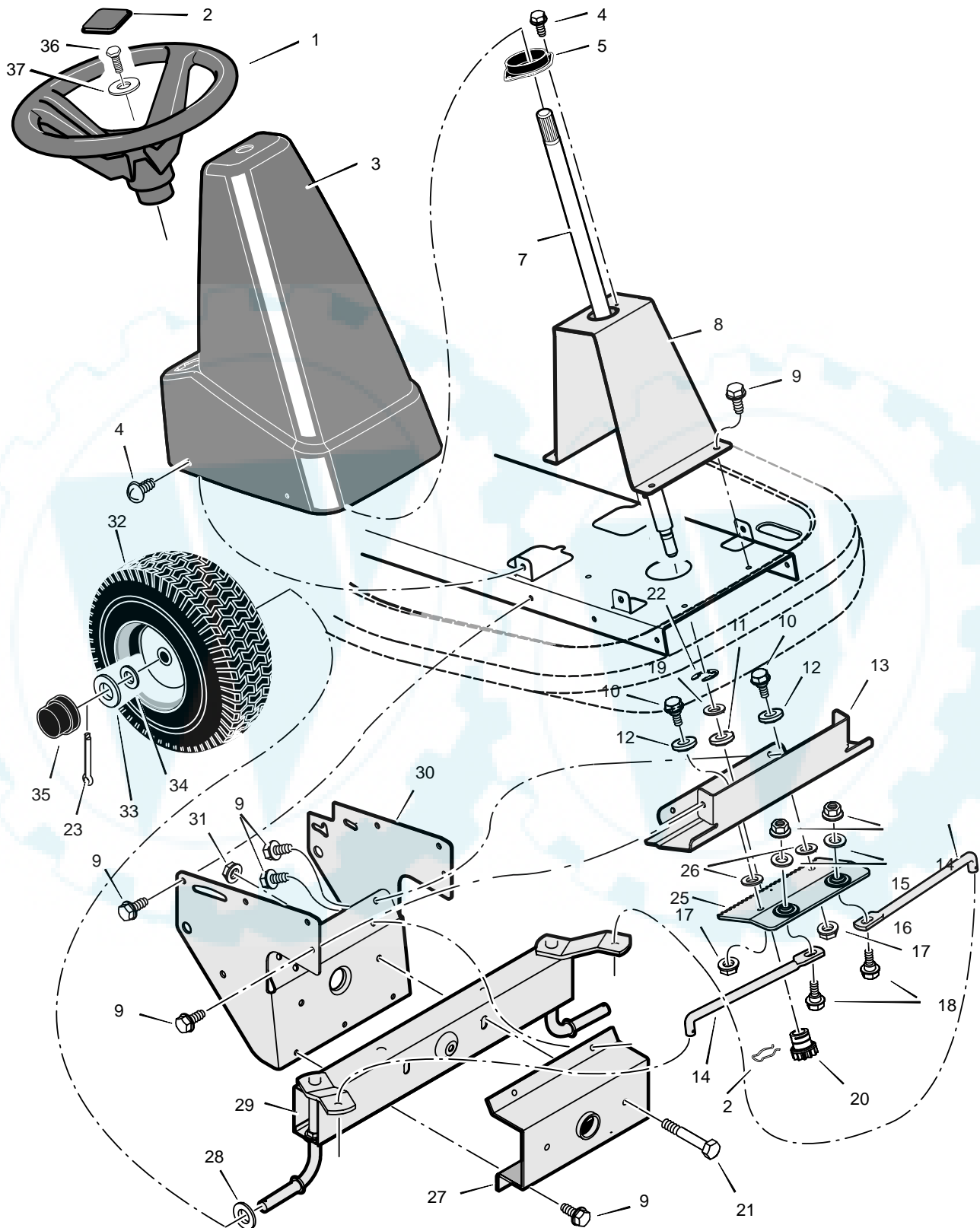
| Key No. | Description               | Part No.    | Key No. | Description             | Part No.    |
|---------|---------------------------|-------------|---------|-------------------------|-------------|
| 1       | Engine, Briggs & Stratton | —           | 37      | Rod, Clutch             | 1401078     |
| 2       | Bolt, Hex                 | 01x134      | 38      | Clutch Arm Assembly     | 1401128     |
| 3       | Shield Assembly, Heat     | 1401207     | 39      | Ring, Retainer          | 0011x7      |
| 4       | Lockwasher                | 018x32      | 40      | Pulley, Drive           | 1401077     |
| 5       | Screw                     | 0025x2      | 41      | Bolt, Carriage          | 002x53      |
| 6       | ffler                     | 1401251     | 42      | Bolt, Shoulder          | 009x39      |
| 7       | Gasket, ffler             | 091309      | 43      | Pulley, Idler           | 690410      |
| 8       | Spring, Extension         | 165x75      | 44      | Belt, Motion Drive      | 37x110      |
| 9       | Spring, Extension         | 165x148     | 45      | Pulley, Split Stack     | 1401066     |
| 10      | Nut                       | 015x88      | 46      | Washer, Star            | 019x35      |
| 11      | Screw                     | 26x249      | 47      | Washer                  | 17x170      |
| 12      | Bracket, Transaxle –Left  | 1401042     | 48      | Bolt, Hex               | 01x140      |
| 13      | Nut, Flange               | 015x84      | 49      | Washer                  | 17x102      |
| 14      | Cover, Pedal              | 021544      | 50      | Arm, Rear               | 1401031E701 |
| 15      | Pin, Cotter               | 030x20      | 51      | Bracket, Rear Hanger    | 1401039     |
| 16      | Washer                    | 017x53      | 52      | Pin, Threaded Shoulder  | 094067      |
| 17      | Pin, Cotter               | 030x20      | 53      | Bolt, Hex               | 01x155      |
| 18      | Pedal Assembly            | 1401127E701 | 54      | Bolt                    | 01x120      |
| 19      | Rod, Parking Brake        | 1401112     | 55      | Bracket, Torque Reactor | 1401051E701 |
| 20      | Grip, Parking Brake Rod   | 091079      | 56      | Screw                   | 01x145      |
| 21      | Frame                     | 1401256E701 | 57      | Washer, Shift Yoke      | 710657      |
| 22      | Grip, Shift Lever         | 094929      | 58      | Nut                     | 015x43      |
| 23      | Nut, Adjusting            | 1401148     | 59      | Yoke, Shift             | 1401093     |
| 24      | Link, Shift               | 1401122     | 60      | Washer                  | 17x148      |
| 25      | Lever, Shift              | 1401111     | 61      | Transaxle, Peerless     | —           |
| 26      | Bracket, Lift Pivot       | 1401032     | 62      | Bracket, Transaxle      | 1401042     |
| 27      | Spring, Extension         | 165x147     | 63      | Spacer                  | 690369      |
| 28      | Bolt, Shoulder            | 009x39      | 64      | Washer                  | 17x160      |
| 29      | Bracket, Pivot            | 1401043     | 65      | Key, Square             | 056534      |
| 30      | Guide, Belt –Short        | 1401104     | 66      | Spacer, Rear Wheel      | 1401103     |
| 31      | Guide, Belt –Long         | 1401105     | 67      | Wheel, Rear –15"        | 1401120     |
| 32      | Plate, Belt Guide         | 1401057     | 68      | Cap, Hub                | 094618      |
| 33      | Bolt                      | 0025x7      | 69      | E–Ring                  | 011x3       |
| 34      | Nut, Flange               | 015x79      | 70      | Washer                  | 17x195      |
| 35      | Bracket, Support          | 1401059     | 71      | Lockwasher, Split       | 018x32      |
| 36      | Nut, Adjusting            | 094815      | 72      | Lock, Screw             | 092378      |

\* When you order a tire, make sure to give the brand name of the tire so that the tread pattern on the tire will match.

\*\* For information on Replacement Parts see the Central Parts Distributor in your area.

# MODEL 309029x50A

# REPAIR PARTS STEERING



**MODEL 309029x50A**

**REPAIR PARTS  
STEERING**

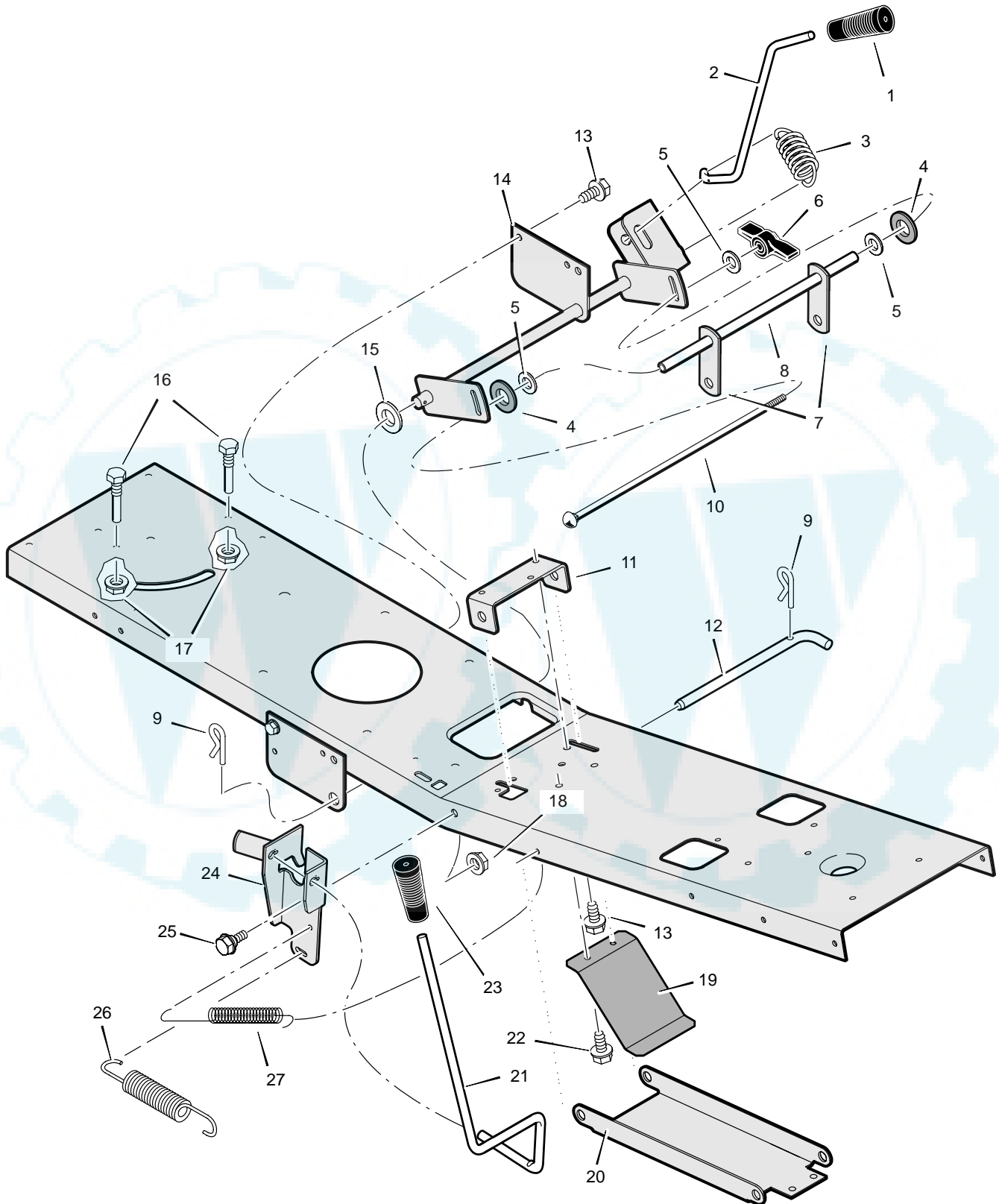
| <b>Key No.</b> | <b>Description</b>      | <b>Part No.</b> | <b>Key No.</b> | <b>Description</b>      | <b>Part No.</b> |
|----------------|-------------------------|-----------------|----------------|-------------------------|-----------------|
| 1              | Wheel, Steering (Gray)  | 095184          | 20             | Gear, Pinion            | 1401099         |
| 2              | Cap, Steering (Gray)    | 711325          | 21             | Bolt, Hex               | 01x146          |
| 3              | Console, High (Gray)    | 1401068         | 22             | E-Ring, Retainer        | 011x28          |
| 4              | Screw                   | 26x270          | 23             | Pin, Cotter             | 030x35          |
| 5              | Bearing, Upper Steering | 1401090         | 25             | Rack, Steering          | 1401046E701     |
| 7              | Shaft, Steering         | 1401100         | 26             | Washer                  | 17x102          |
| 8              | Support, Steering       | 1401055E701     | 27             | Bracket, Axle Front     | 1401060E701     |
| 9              | Screw                   | 26x249          | 28             | Washer                  | 17x157          |
| 10             | Bolt, Shoulder          | 009x67          | 29             | Axle & Spindle Assembly | 1401250E701     |
| 11             | Bearing, Lower Steering | 1401098         | 30             | Bracket, Support        | 1401059E701     |
| 12             | Roller                  | 1401102         | 31             | Nut, Flange             | 15x118          |
| 13             | Plate, Gear Mounting    | 1401058E701     | 32             | Wheel, Front            | 1401143         |
| 14             | Link, Drag              | 1401123E701     | 33             | Washer                  | 17x197          |
| 15             | Nut, Flange             | 015x84          | 34             | Washer                  | 17x157          |
| 16             | Washer                  | 17x104          | 35             | Cap, Hub                | 094618          |
| 17             | Nut, Flange             | 015x88          | 36             | Bolt                    | 0025x3          |
| 18             | Bolt, Hex               | 01x111          | 37             | Washer                  | 17x146          |
| 19             | Washer                  | 17x118          |                |                         |                 |

\* When you order a tire, make sure to give the brand name of the tire so that the tread pattern on the tire will match.



**MODEL 309029x50A**

**REPAIR PARTS  
MOWER HOUSING SUSPENSION**



**MODEL 309029x50A**

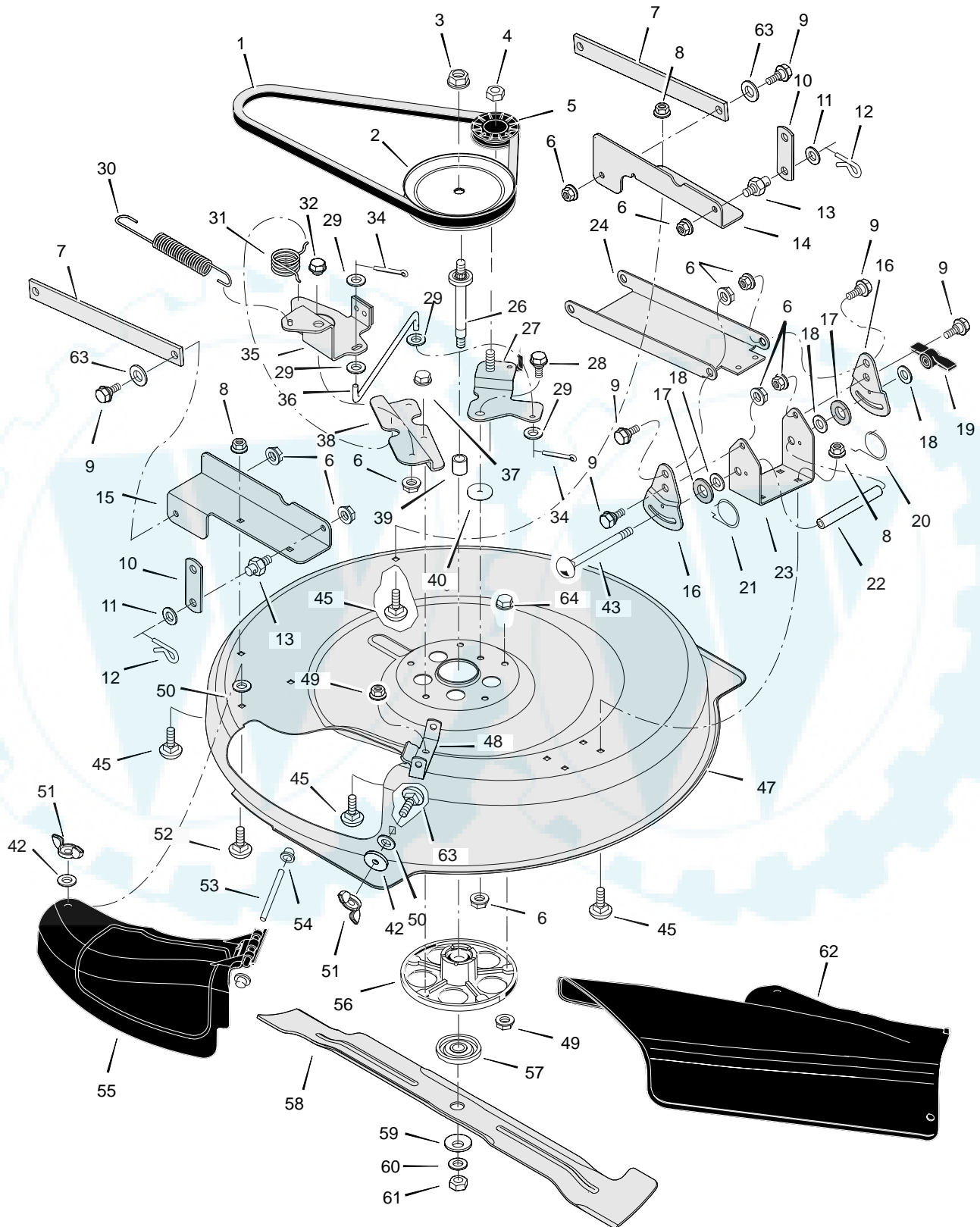
**REPAIR PARTS  
MOWER HOUSING SUSPENSION**

| <b>Key No.</b> | <b>Description</b>          | <b>Part No.</b> | <b>Key No.</b> | <b>Description</b> | <b>Part No.</b> |
|----------------|-----------------------------|-----------------|----------------|--------------------|-----------------|
| 1              | Grip, Lift Lever (Gray)     | 094929          | 15             | Washer             | 17x165          |
| 2              | Lever, Lift                 | 1401117         | 16             | Screw, Guide       | 093349          |
| 3              | Spring, Extension           | 165x154         | 17             | Nut, Flange        | 015x79          |
| 4              | Pad, Friction               | 094137          | 18             | Nut, Flange        | 015x84          |
| 5              | Washer                      | 017x45          | 19             | Spring, Leaf       | 1401147         |
| 6              | Wingnut                     | 095004          | 20             | Hanger, Front      | 1401040E701     |
| 7              | Link, Lift                  | 1401033E701     | 21             | Lever, PTO         | 1401116         |
| 8              | Tube, Spacer                | 1401096         | 22             | Screw              | 26x263          |
| 9              | Pin, Hair                   | 0031x4          | 23             | Grip, PTO (Gray)   | 1401225         |
| 10             | Bolt, Carriage              | 002x93          | 24             | Bracket, PTO       | 1401199E701     |
| 11             | Bracket, Front Hanger Pivot | 1401030E701     | 25             | Bolt, Shoulder     | 009x42          |
| 12             | Pin, Front Hanger           | 1401118         | 26             | Spring, Extension  | 165x157         |
| 13             | Screw                       | 26x249          | 27             | Spring, Extension  | 165x92          |
| 14             | Arm Assembly, Lifter        | 1401129E701     |                |                    |                 |



# MODEL 309029x50A

# REPAIR PARTS MOWER HOUSING



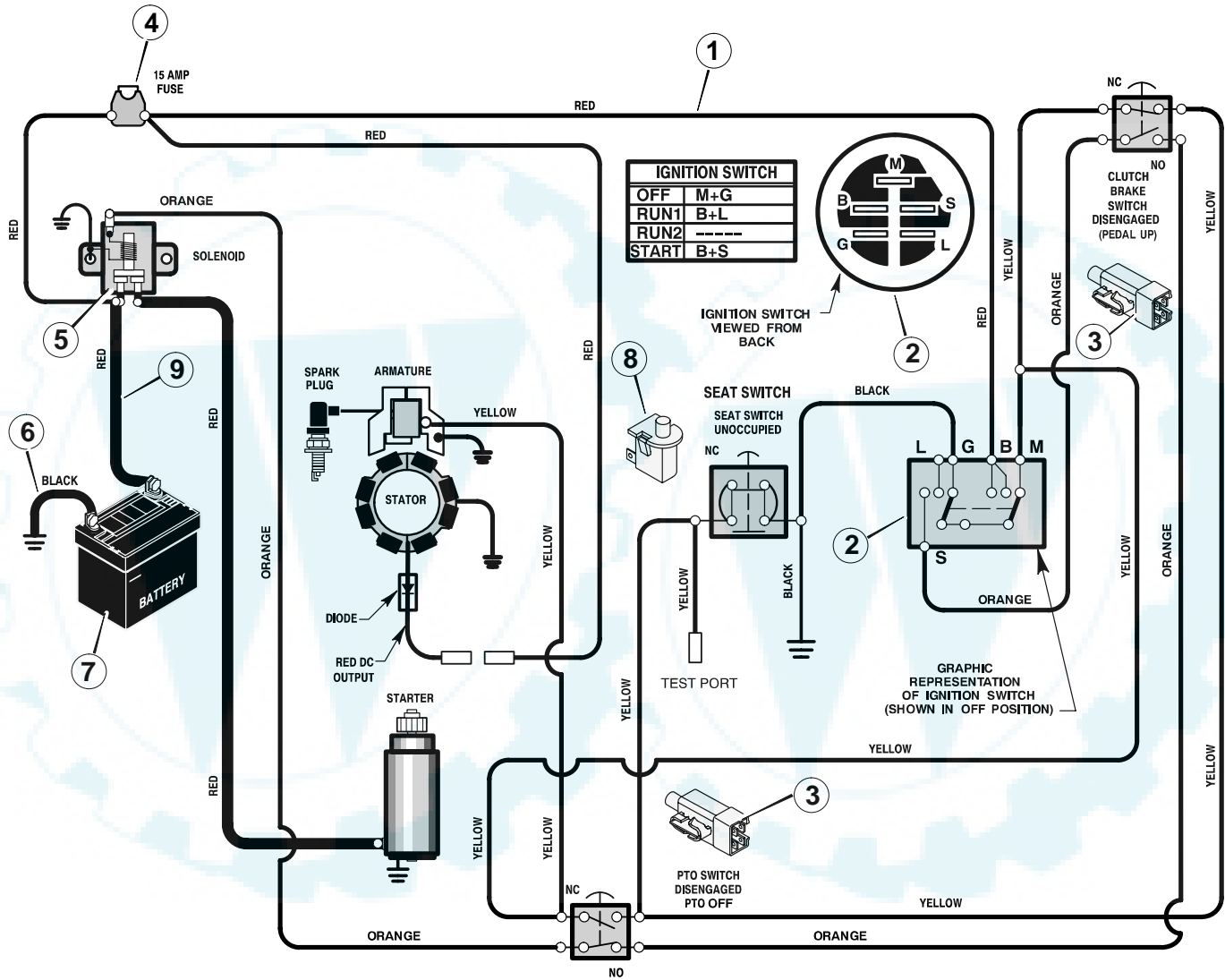
## MODEL 309029x50A

## REPAIR PARTS MOWER HOUSING

| Key No. | Description | Part No.               | Key No. | Description | Part No.                |
|---------|-------------|------------------------|---------|-------------|-------------------------|
| 1       | 37x111      | Belt, Blade Drive      | 32      | 009x42      | Bolt, Shoulder          |
| 2       | 1401092     | Pulley, Input          | 34      | 030x20      | Pin, Cotter             |
| 3       | 15x121      | Locknut                | 35      | 1401185E701 | Arm Assembly, Brake     |
| 4       | 015x98      | Nut, Flange            | 36      | 1401119     | Link, Idler Arm         |
| 5       | 1401252     | Pulley, Idler          | 37      | 0025x7      | Bolt                    |
| 6       | 015x84      | Nut, Flange            | 38      | 1401052E701 | Bracket, Brake Mounting |
| 7       | 1401031E701 | Arm, Rear              | 39      | 1401094     | Spacer, Jackshaft       |
| 8       | 015x79      | Nut, Flange            | 40      | 1401097     | Washer                  |
| 9       | 009x58      | Bolt, Shoulder         | 42      | 019x45      | Washer                  |
| 10      | 1401033E701 | Link, Lift             | 43      | 002x94      | Bolt, Carriage          |
| 11      | 17x102      | Washer                 | 45      | 002x53      | Bolt, Carriage          |
| 12      | 0031x4      | Pin, Hair              | 47      | 1401028E701 | Housing, Blade          |
| 13      | 094067      | Pin, Threaded Shoulder | 48      | 1401106E701 | Hinge, Mulching Cover   |
| 14      | 1401047E701 | Bracket, Left Rear     | 49      | 015x88      | Nut, Flange             |
| 15      | 1401235E701 | Bracket, Right Rear    | 50      | 028x76      | Nut, Speed              |
| 16      | 1401038E701 | Plate, Adjustment      | 51      | 014x86      | Wingnut                 |
| 17      | 094137      | Pad, Friction          | 52      | 002x74      | Bolt, Carriage          |
| 18      | 017x45      | Washer                 | 53      | 091767 Z    | Rod, Chute Deflector    |
| 19      | 095004      | Wingnut                | 54      | 028x23      | Cap, Push               |
| 20      | 166x43      | Spring, Left Torsion   | 55      | 1401080     | Cover, Mulch            |
| 21      | 166x42      | Spring, Right Torsion  | 56      | 094305      | Mandrel Housing         |
| 22      | 1401095     | Tube, Spacer           | 57      | 1001035     | Adapter, Blade          |
| 23      | 1401037E701 | Bracket, Deck          | 58      | 1401079E701 | Blade                   |
| 24      | 1401040E701 | Hanger, Front          | 59      | 17x166      | Washer, Cup             |
| 26      | 1401065     | Shaft, Splined         | 60      | 17x165      | Washer                  |
| 27      | 1401258E701 | Arm, Idler             | 61      | 15x100      | Nut, Blade Mount        |
| 28      | 009x39      | Bolt, Shoulder         | 62      | 1401081     | Deflector, Chute        |
| 29      | 017x47      | Washer                 | 63      | 002x74      | Bolt, Carriage          |
| 30      | 165x157     | Spring, Extension      | 64      | 001x84      | Bolt                    |
| 31      | 166x46      | Spring, Torsion        |         |             |                         |

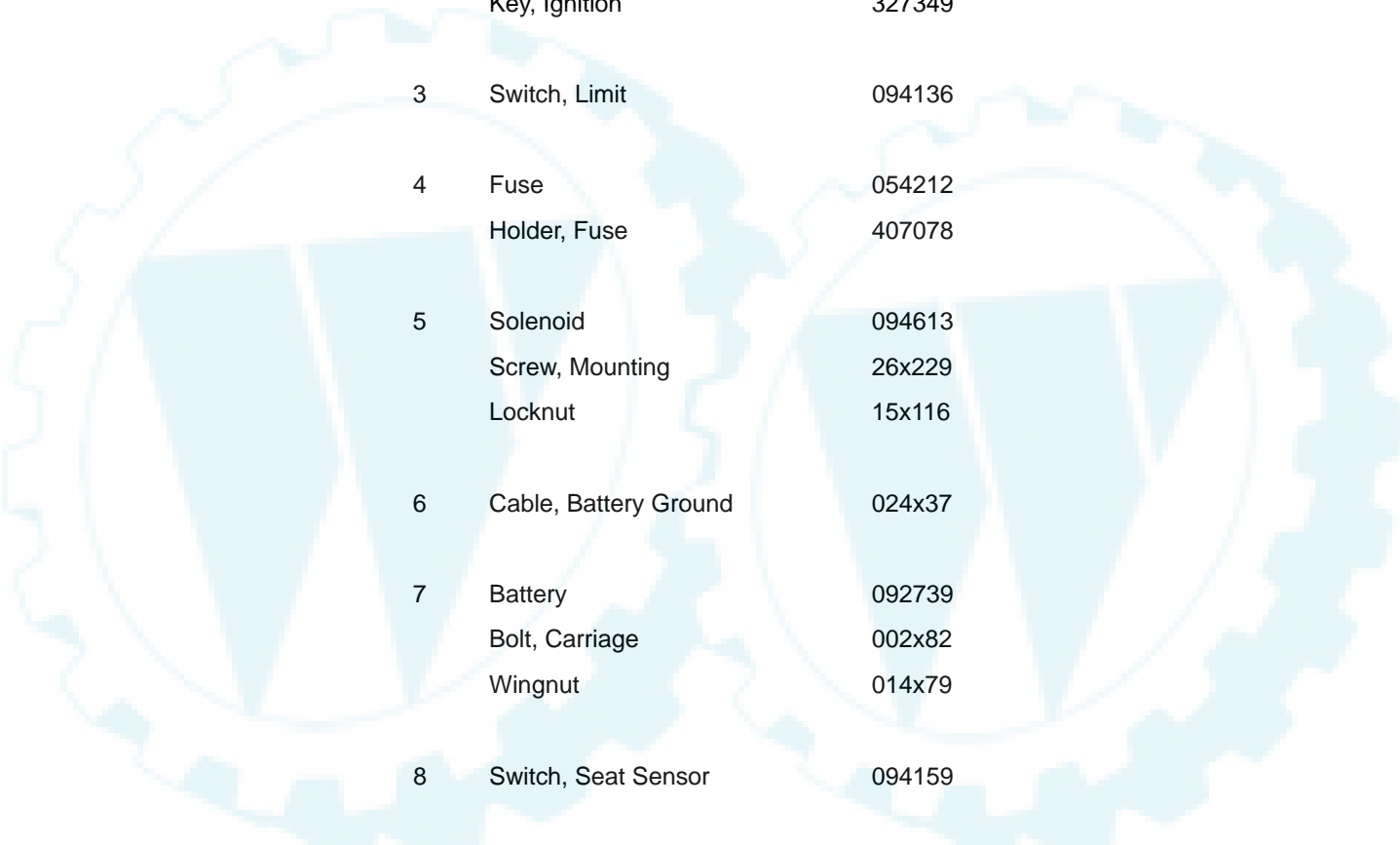
MODEL 309029x50A

REPAIR PARTS  
ELECTRICAL SYSTEM



**MODEL 309029x50A**

**REPAIR PARTS  
ELECTRICAL SYSTEM**



| <b>Key No.</b> | <b>Description</b>      | <b>Part No.</b> |
|----------------|-------------------------|-----------------|
| 1              | Harness, Chassis Wire   | 250x103         |
| 2              | Switch, Ignition        | 1401149         |
|                | Key, Ignition           | 327349          |
| 3              | Switch, Limit           | 094136          |
| 4              | Fuse                    | 054212          |
|                | Holder, Fuse            | 407078          |
| 5              | Solenoid                | 094613          |
|                | Screw, Mounting         | 26x229          |
|                | Locknut                 | 15x116          |
| 6              | Cable, Battery Ground   | 024x37          |
| 7              | Battery                 | 092739          |
|                | Bolt, Carriage          | 002x82          |
|                | Wingnut                 | 014x79          |
| 8              | Switch, Seat Sensor     | 094159          |
| 9              | Cable, Red Batery       | 024x24          |
|                | Boot, Positive Terminal | 690604          |

**MODEL 309029x50A**

**REPAIR PARTS  
DECALS**

| Ke No. | Description (Location)         | Part No. | Qy. |
|--------|--------------------------------|----------|-----|
| --     | DEKA                           | 44x7197  | 1   |
| --     | 10 HP B & S                    | 44x7388  | 2   |
| --     | 100/76 (Right)                 | 48X826   | 1   |
| --     | 100/76 (Left)                  | 48X825   | 1   |
| --     | Cut Finger                     | 44x5430  | 1   |
| --     | Caution/Warning                | 48x725   | 1   |
| --     | 1-6 Height Adjust – Lift Lever | 48x727   | 1   |
| --     | Deck Leveling                  | 44x6456  | 1   |
| --     | No Step                        | 44x5429  | 1   |
| --     | Brake / Clutch                 | 48x736   | 1   |
| --     | Gear Select 5 Speed            | 48x723   | 1   |
| --     | Heat Shield Warning            | 44x5936  | 1   |
| --     | Drawbar Warning                | 48x511   | 1   |
| --     | Warning –Pinch Point           | 44x6828  | 1   |
| --     | TUV & GS European Xport        | 44x2929  | 1   |
| --     | Engagement Lever               | 48x724   | 1   |
| --     | Park Brake Symbol              | 48x726   | 1   |
| --     | Throttle Control               | 48x728   | 1   |
| --     | Gas Gauge                      | 48x729   | 1   |
| --     | 100/76 2n1 (Hood)              | 48x827   | 1   |
| --     | Sentinel Logo                  | 48x861   | 1   |
| --     | Sentinel by Murray             | 48x828   | 1   |
| --     |                                |          |     |