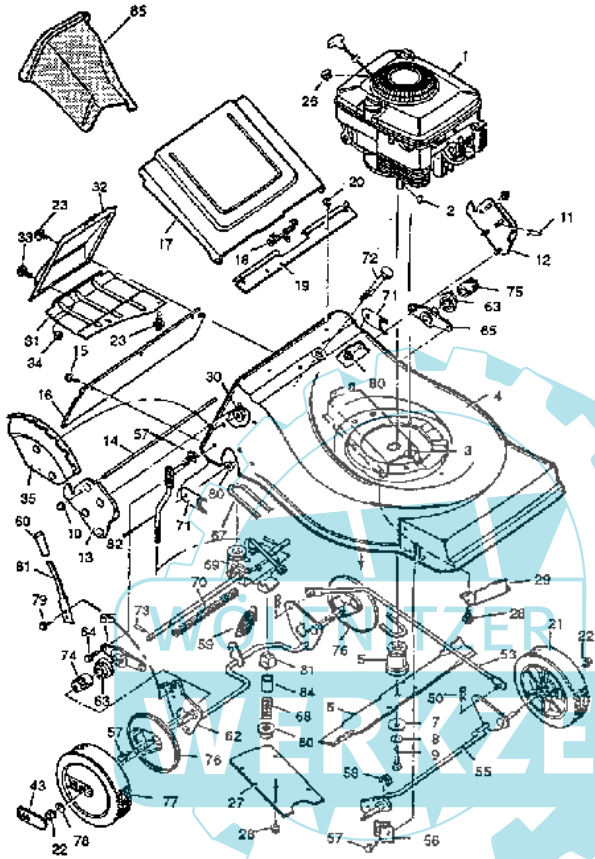


MODEL NO.: 21765X28B
 MODEL NO.: 21765X128A COLOR: (245) - BRITE RED
 21" R/B - S/P - RR./DR. (1-SP)
 5.25 B&S QTM. XTE IC ENGINE
 ONE-LEVER HGT. ADJUSTER
 SOFT BAGGER
 MULCHER KIT INSTALLED
 UNIT FULLY ASSEMBLED IN CARTON

ACCESSORIES AVAILABLE

24072 - SIDE CHUTE CONVERSION
 24087 - REPLACEMENT BAGGER COMPLETE

REPLACEMENT PARTS

KEY NO.	DESCRIPTION	PART NO.	KEY NO.	DESCRIPTION	PART NO.
1	Engine ‡ 12C802-1120-01		43	Hub Cap - Optional	43615
2	Key, Woodruff	20082	53	Link, Lifter	43721E245
3	Bolt, Engine	25x6	55	Crossbar, Front	71151E245
4	Housing	70148	56	Clip, Retainer	71167
5	Adapter, Blade	71058	57	Screw	26x221
6	Blade	71161E701	58	Bushing	43731
7	Washer, Belleville	17x137	59	Spring, Extension	165x97
8	Washer	17x124	60	Grip, Height Adjuster	71297
9	Bolt	1x142	61	Lever, Height Adjuster	71293
10	Push On Cap	28x42	62	Crossbar, Rear	71572
11	Pin, Hair	31x10	63	Bearing, Lifter	43758
12	Handle Bracket, Left	71097E700	64	Bolt, Hex	1x91
13	Handle Bracket, Right	71096E700	65	Support, Axle	71411
14	Rod, Door Pivot	215x14Z	67	Bolt, Drive	37x54
15	Screw	25x245	68	Spring	164x27
16	Deflector, Rear	43649	69	Transmission	71549
17	Door, Rear	71409	70	Shield, Axle	43648
18	Spring, Torsion	165x33	71	Retainer, Bearing	71482Z
19	Spacer, Door	71410	72	Support, Lifter Spring	71576
20	Screw	26x259	73	Pin, Drive	43629
21	Wheel, Front - White	43618	74	Pinion, Right	71286
	Wheel, Front - Gray	71132	75	Pinion, Left	71287
22	Nut	15x84	76	Cover, Dust	43616
23	Screw	25x214	77	Wheel, Drive - White	43617
24	Strip, Rope	42189		Wheel, Drive - Gray	71133
25	Cover, Belt	43770E700	78	Washer, Thrust	17x169
26	Screw	25x259	79	Screw	26x253
27	Cover, Front Belt	71239E245	80	Locknut	15x88
28	Nut, Hex Flange	15x79	81	Bushing	71480
29	Cover, Lower	71243E245	82	Support, Spring	71481Z
30	Cover, Rear	71246E245	84	Spacer	43844
31	Screw	4x21	85	Plug, Mulcher	71250
32	Nut	15x102		Book, Instruction	F-95412
33	Bracket, Index	71575			

‡ Parts are available from a Authorized Engine Service Center. See "Engines, Gasoline" or "Gasoline Engines" in the yellow pages of the telephone directory.

- Two Belleville washers are now used to assemble the blade. (Figure 1)
- If the blade is removed, assemble the blade as follows:
 - Fasten the blade with the original washers and bolt. Make sure the outside rim of the two Belleville washers are toward the blade. (Figure 2)
 - Tighten the bolt that holds the blade to a torque of 30 foot pounds.

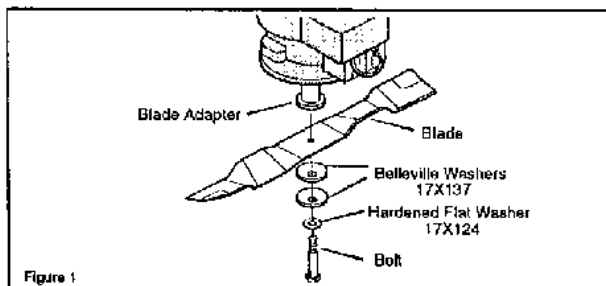
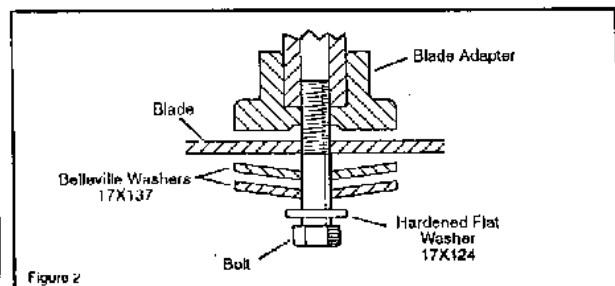


Figure 1

Figure 2
F-94507