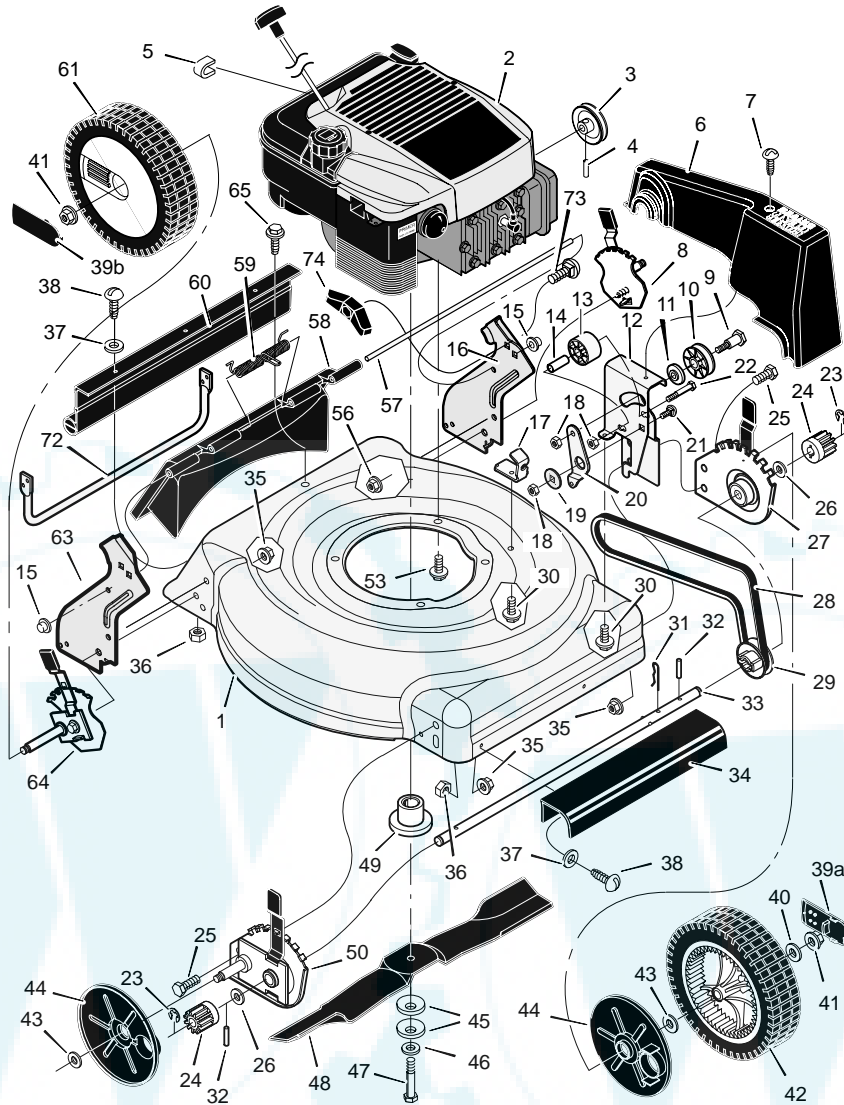


**MODEL 20616x50C**

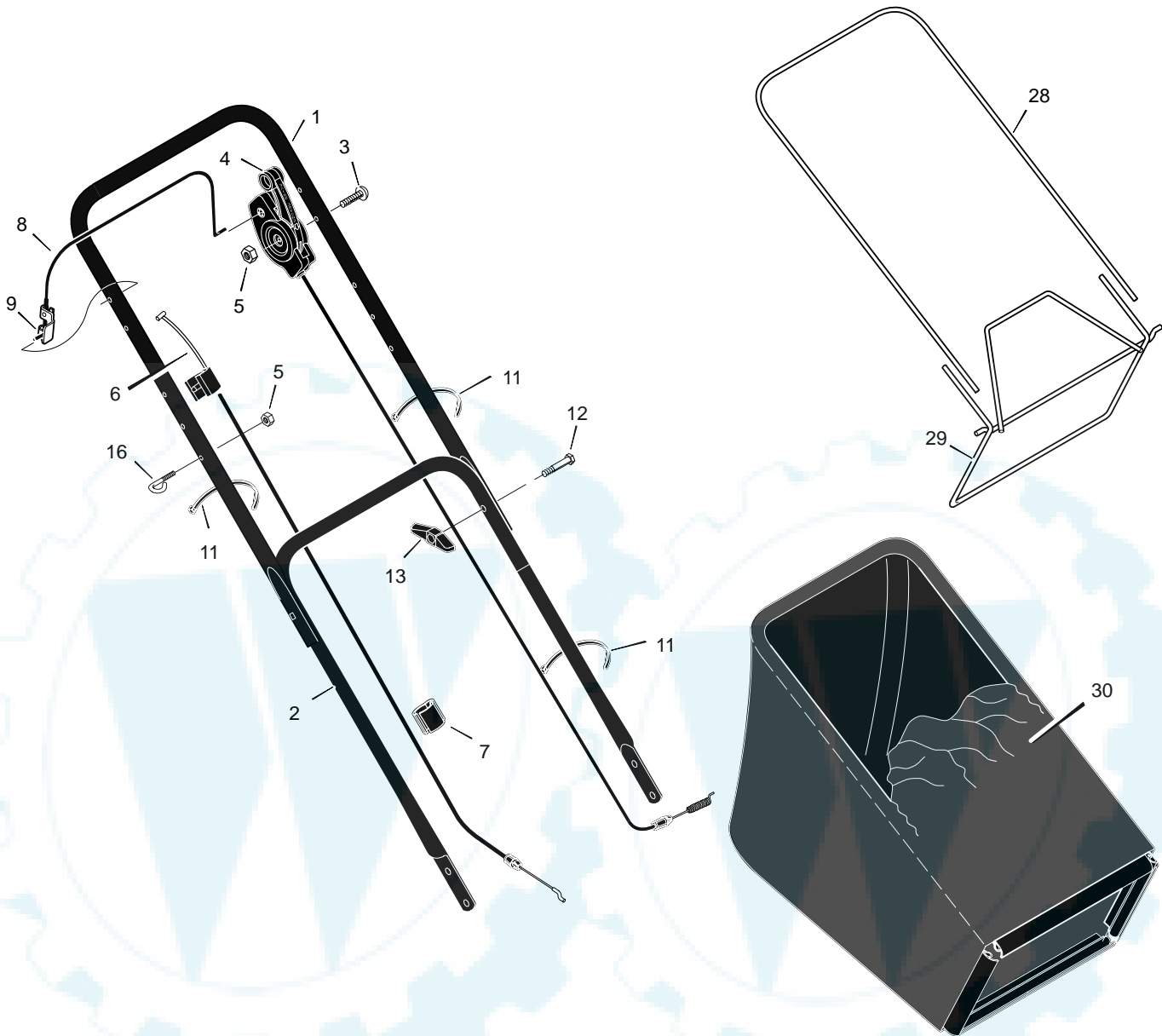
**REPAIR PARTS**



1	Housing	672893E245	24	Gear, Pinion	71792	44	Cover, Dust	71780
2	Engine *	*	25	Bolt	1x85	45	Washer, Belleville	17x137
3	Pulley, Engine	71434	26	Washer	17x186	46	Washer	17x124
4	Pin, Spring	32x64	27	Adjuster, Left Frt. Height	672603	47	Bolt	1x153
6	Cover, Belt (Gray)	672109	28	Belt	37x99	48	Blade	672763E701
7	Screw	26x279	29	Pulley, Axle	71791	49	Adapter, Blade	672503
8	Adjuster, Left Height	672605	30	Screw	26x263	50	Adjuster, Right Frt. Height	672602
9	Bolt, Shoulder	9x50	31	Pin, Hair	31x9	53	Bolt, Engine	25x6
10	Pulley	71779	32	Pin, Spring	43629	56	Nut, Flange	15x88
11	Spacer	71788	33	Axle	671931	57	Rod, Pivot	215x17 Z
12	Bracket, Idler Support	672772 Z	34	Cover, Axle (Gray)	672108	58	Door, Rear (Gray)	672612
13	Pulley, Idler	71778	35	Nut, Flange	15x68	59	Spring	166x44
14	Bearing	71793	36	Nut, Hex	15x102	60	Deflector, Rear	671970
15	Nut, Push	28x49	37	Washer	17x38	61	Wheel, Rear	71134
16	Bracket, Left Handle	1101239E700	38	Screw	4x21	63	Bracket, Right Handle	1101238E700
17	Bracket, Cable	671934	39a	Cap, Hub	43847	64	Adjuster, Right Height	672604
18	Nut, Hex	15x43	39b	Cap, Hub	43615	65	Screw	26x245
19	Spacer	71789	40	Washer	17x169	72	Guard, Rear	671990
20	Arm, Idler	671936	41	Nut, Flange	15x84	73	Bolt, Carriage	2x81
21	Bolt, Carriage	2x53	42	Wheel, Drive	71133	74	Knob	71495
22	Bolt, Shoulder	1x81	43	Washer	17x120	--	Instruction Book	F-010433L
23	E-Ring	11x16						

# MODEL 20616x50C

# REPAIR PARTS



1	Handle, Upper (Gray)	671918E724	7	Fastener, Single Cable	1101352	13	Knob	71294
2	Handle, Lower (Gray)	672874E724	8	Engine Stop Lever	672878E701	16	Guide, Rope	71530
3	Bolt	25x14	9	Bracket, Stop Lever	43628 BC	28	Frame, Top	71592
4	Control, Drive	1101420	11	Fastener, Cable	71372	29	Frame Assembly	672905
5	Locknut	15x116	12	Bolt	2x77	30	Bag, Cloth	1101032
6	Cable, Stop	1101183						