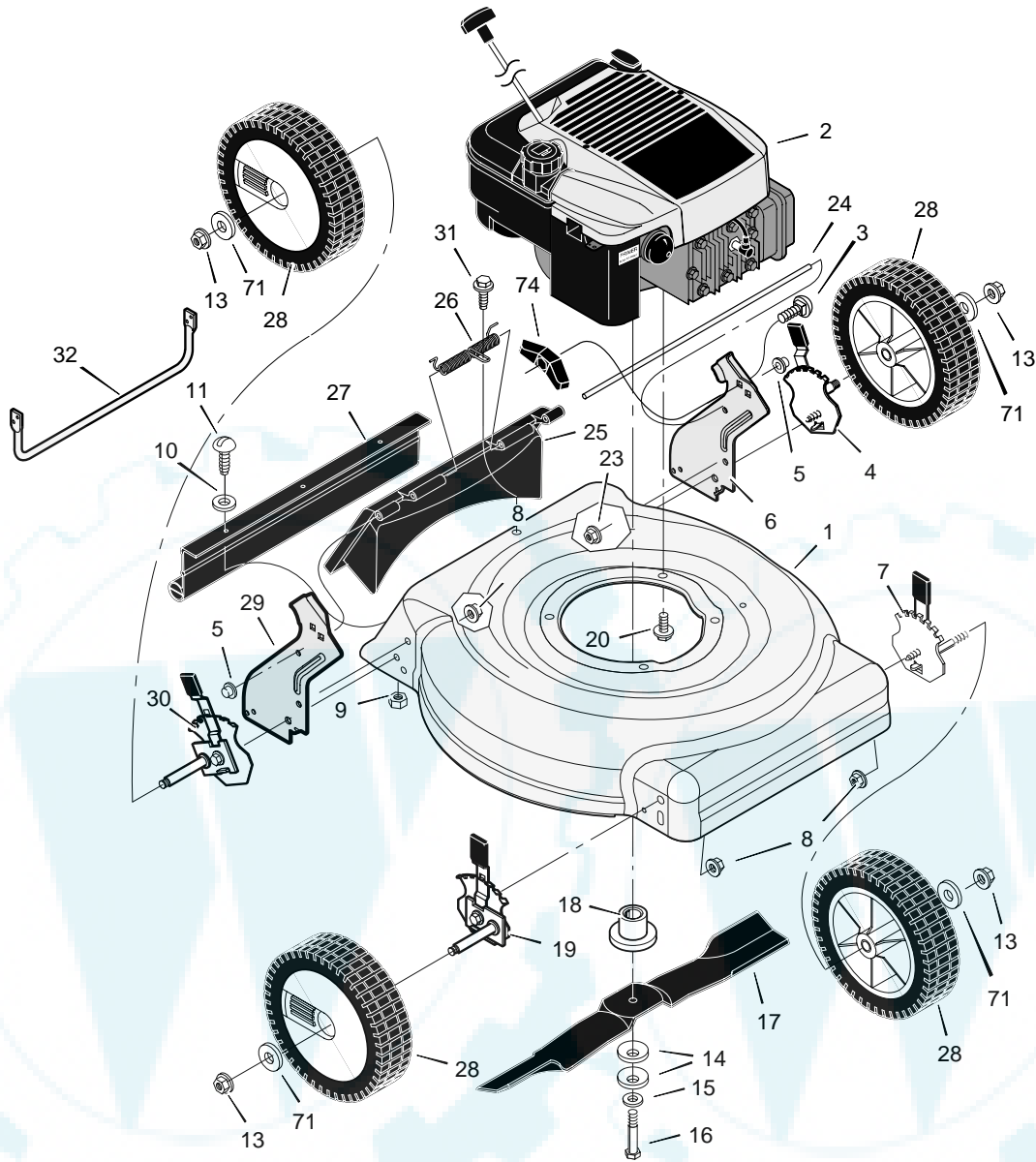


MODEL 204210x50A

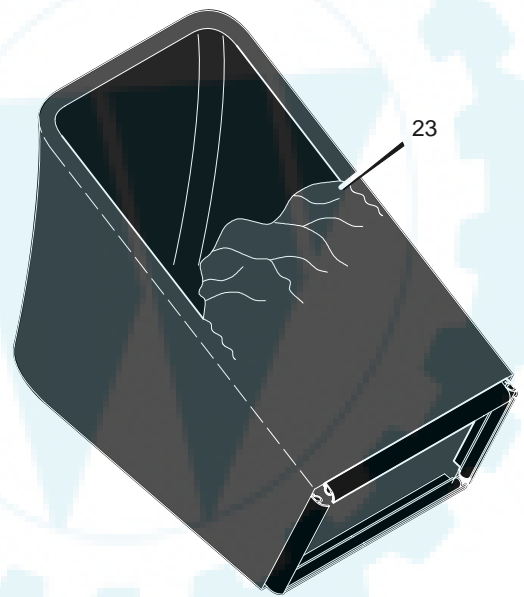
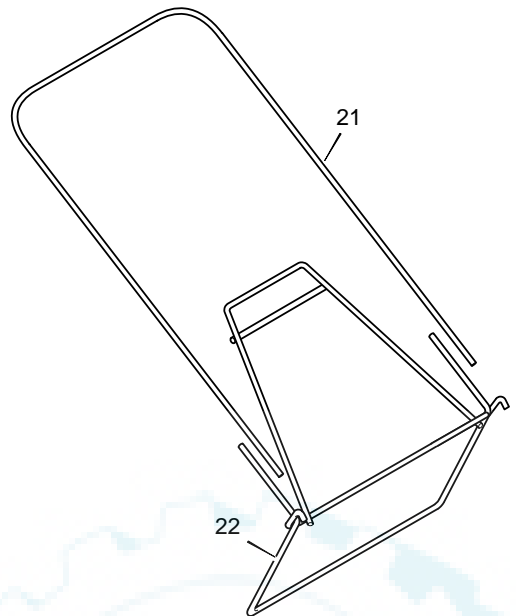
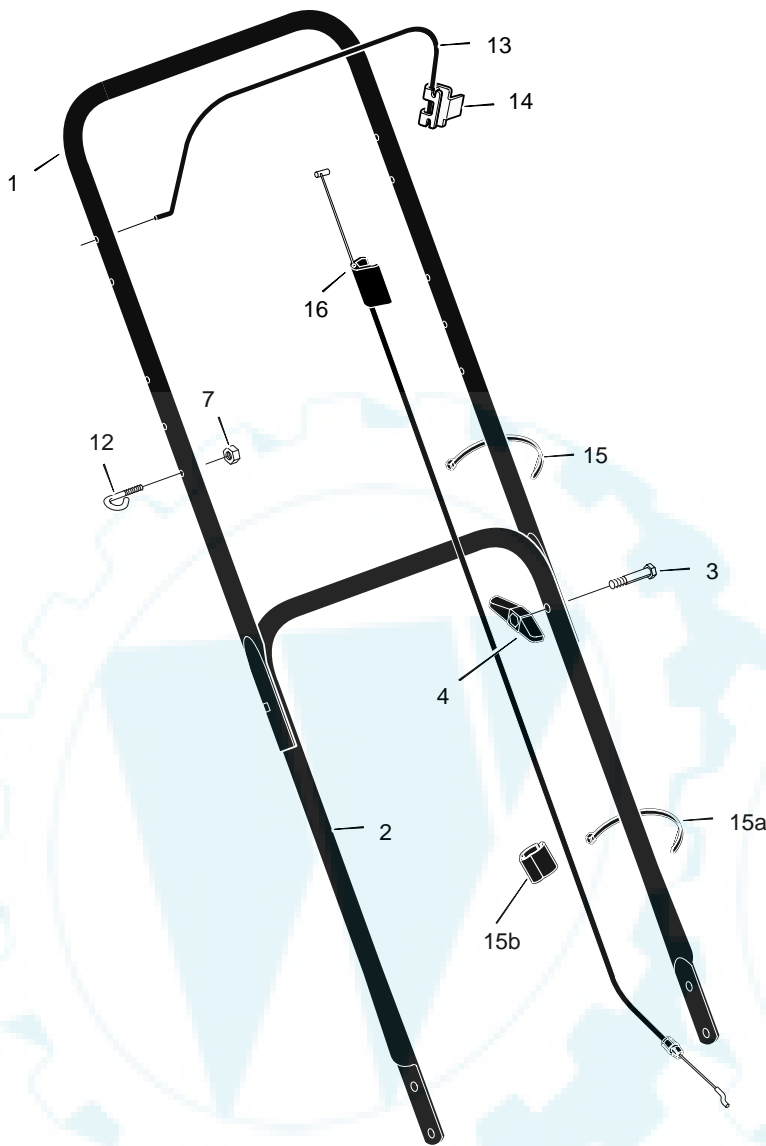
REPAIR PARTS



1	Housing	776150	12	Hub Cap - Optional	672122	25	Door, Rear	672613
2	Engine *	*	13	Nut, Flange	15x84	26	Spring	166x44
3	Bolt, Carriage	2x81	14	Washer, Belleville	17x137	27	Guard, Rear	671970
4	Adjuster, Left Rear Height	672605	15	Washer	17x124	28	Wheel	71132
5	Push On Cap	28x49	16	Bolt	1x153	29	Bracket, Right Handle	1101238E700
6	Bracket, Left Handle	1101239E700	17	Blade	672763E701	30	Adjuster, Right Rear Height	672604
7	Adjuster, Left Front Height	672601	18	Adapter, Blade	672503	31	Screw	26x245
8	Nut, Flange	15x68	19	Adjuster, Right Front Height	672600	32	Guard, Rear	671990
9	Nut, Hex	15x102	20	Bolt, Engine	25x6	71	Washer	17x91 Z
10	Washer	17x38	23	Nut, Flange	15x88	74	Knob	71495
11	Screw	4x21	24	Rod, Pivot	215x17 Z	--	Instruction Book	F-010426L

MODEL 204210x50A

REPAIR PARTS



1	Handle, Upper (Gray)	671918E724	12	Guide, Rope	71530	17	Pin, Hair	31x9
2	Handle, Lower (Gray)	672874E724	13	Engine Stop Lever	671924E701	21	Frame, Top	71592
3	Bolt	2x77	14	Bracket, Stop Lever	43628 BC	22	Frame Assembly	672905
4	Knob, Plastic	71294	15a	Tie, Cable	71372	23	Bag, Cloth	1101032
7	Locknut	15x116	15b	Fastener, Single Cable	1101352			
			16	Engine Stop Cable	1101360			