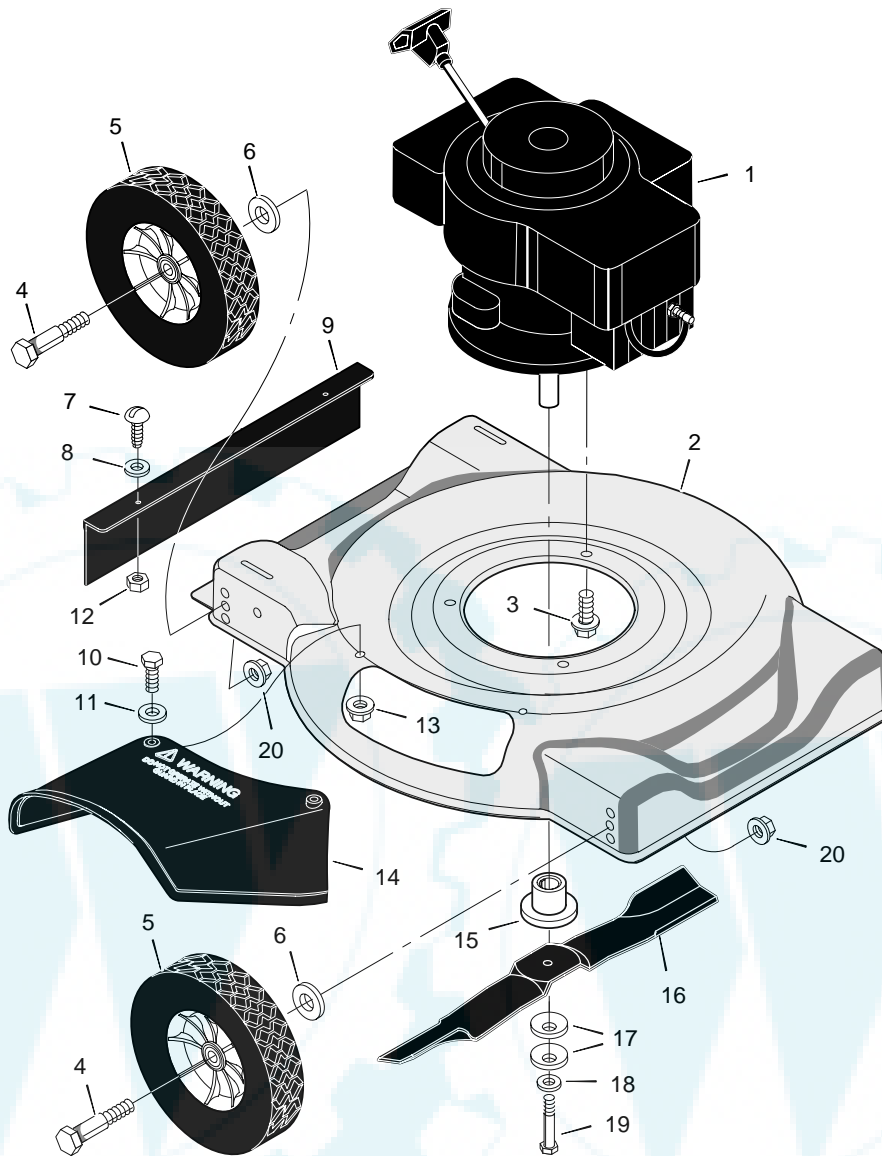


MODEL 20111x78B

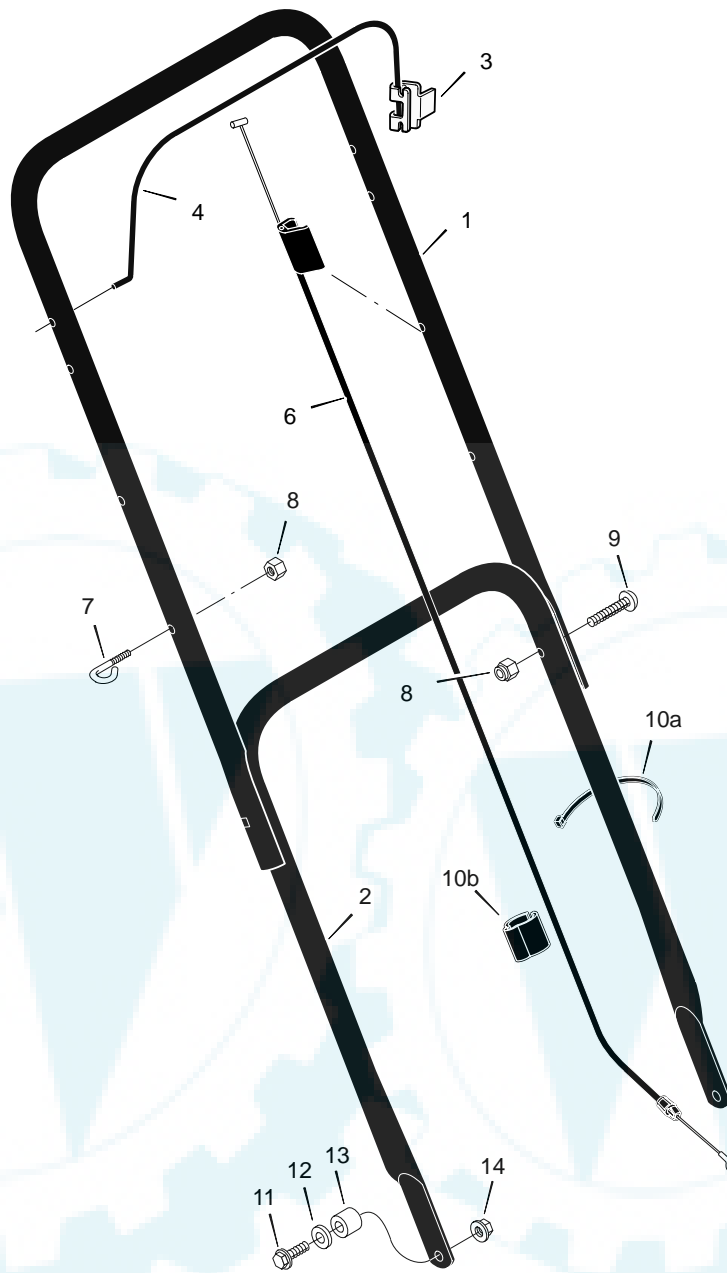
REPAIR PARTS



KEY NO.	DESCRIPTION	PART NO.	KEY NO.	DESCRIPTION	PART NO.	KEY NO.	DESCRIPTION	PART NO.
1	Engine *	*	8	Washer	17x38Z	15	Blade Adapter	71056
2	Housing	7950007	9	Deflector, Rear	671912	16	Blade – 20"	42785E701
3	Bolt, Engine	25x6	10	Bolt	1x121	17	Washer, Blade	17x137
4	Bolt, Axle	9x10	11	Washer	17x37	18	Washer	17x124
5	Wheel and Tire	20270	12	Nut	15x102	19	Bolt	1x142
6	Washer	845	13	Locknut	15x116	20	Locknut	15x68
7	Screw	26x235	14	Deflector, Chute	671929	-	Book, Instruction	F-010438L

MODEL 20111x78B

REPAIR PARTS



KEY NO.	DESCRIPTION	PART NO.	KEY NO.	DESCRIPTION	PART NO.	KEY NO.	DESCRIPTION	PART NO.
1	Handle, Upper (Black)	1101095E701	7	Guide, Rope	43956	11	Bolt	1x111
2	Handle, Lower (Black)	672874E701	8	Locknut	15x116	12	Washer	845
3	Bracket, Stop Lever	43628BC	9	Screw	3x136	13	Spacer	671914
4	Lever, Stop	671924E700	10a	Fastener, Cable	71372	14	Nut	15x84
6	Engine Stop Cable	1101093	10b	Clip, Cable	1101352			