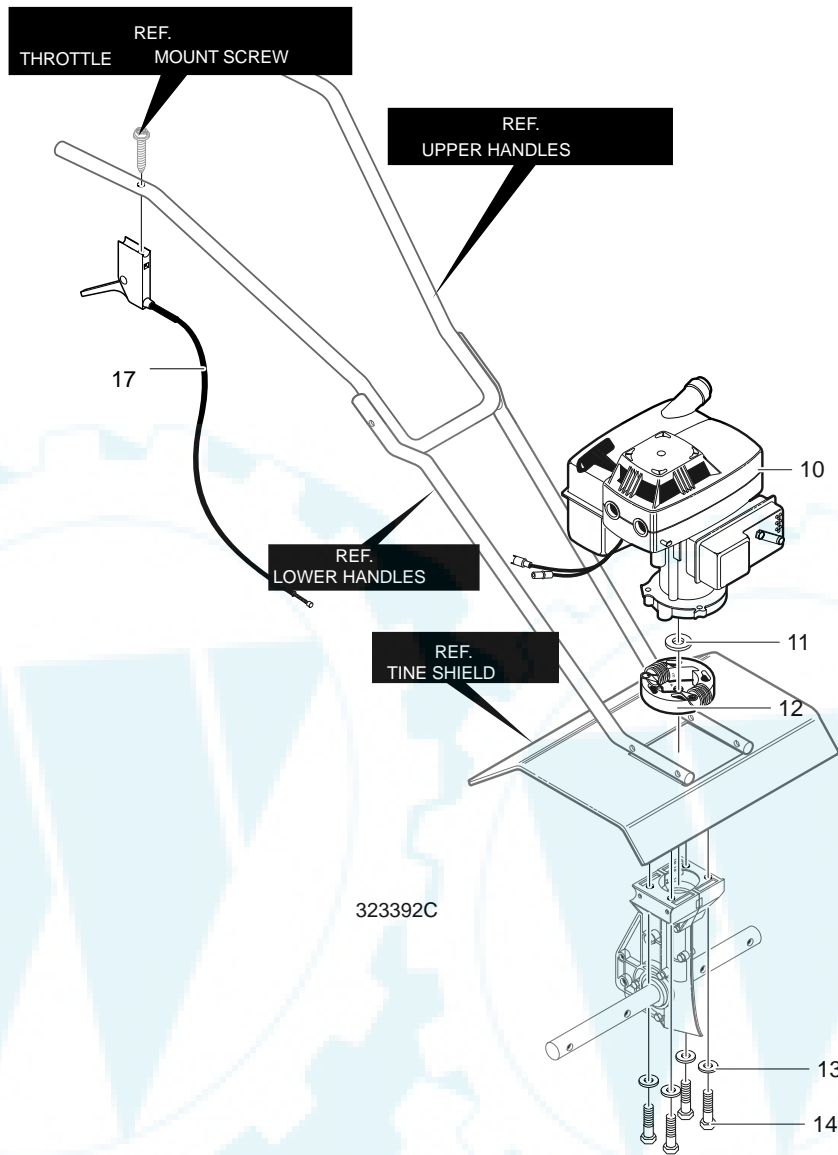


MODEL 11052X50C

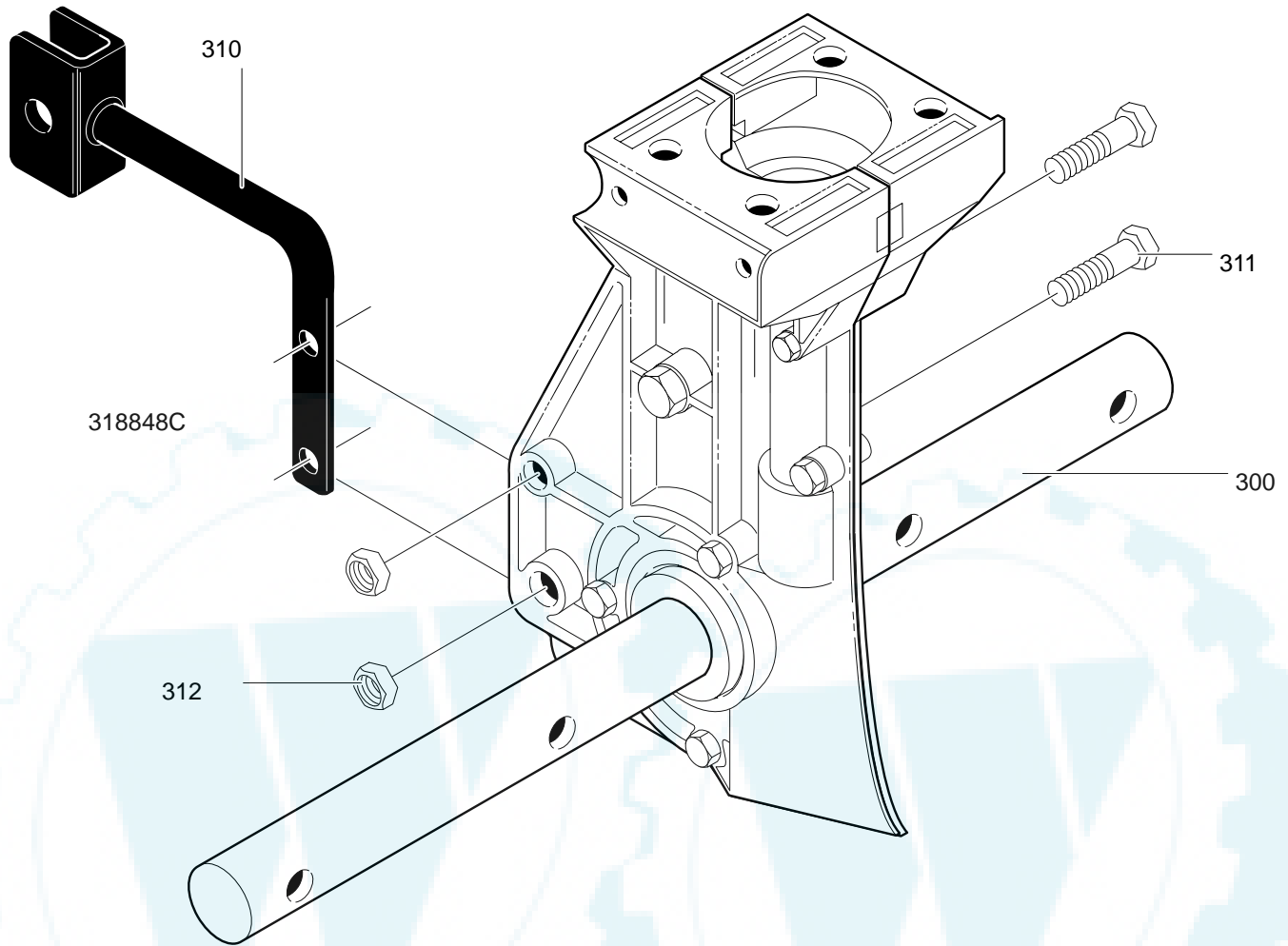
REPAIR PARTS



KEY NO.	DESCRIPTION	PART NO.
10	Engine	2.0HP
11	Flat washer	56694
12	Rotor	335350
13	Washer, Regsptlk	120380
14	Screw	1X90
17	Cable, Throttle	339297
—	Instruction Manual	F-011301M

MODEL 11052X50C

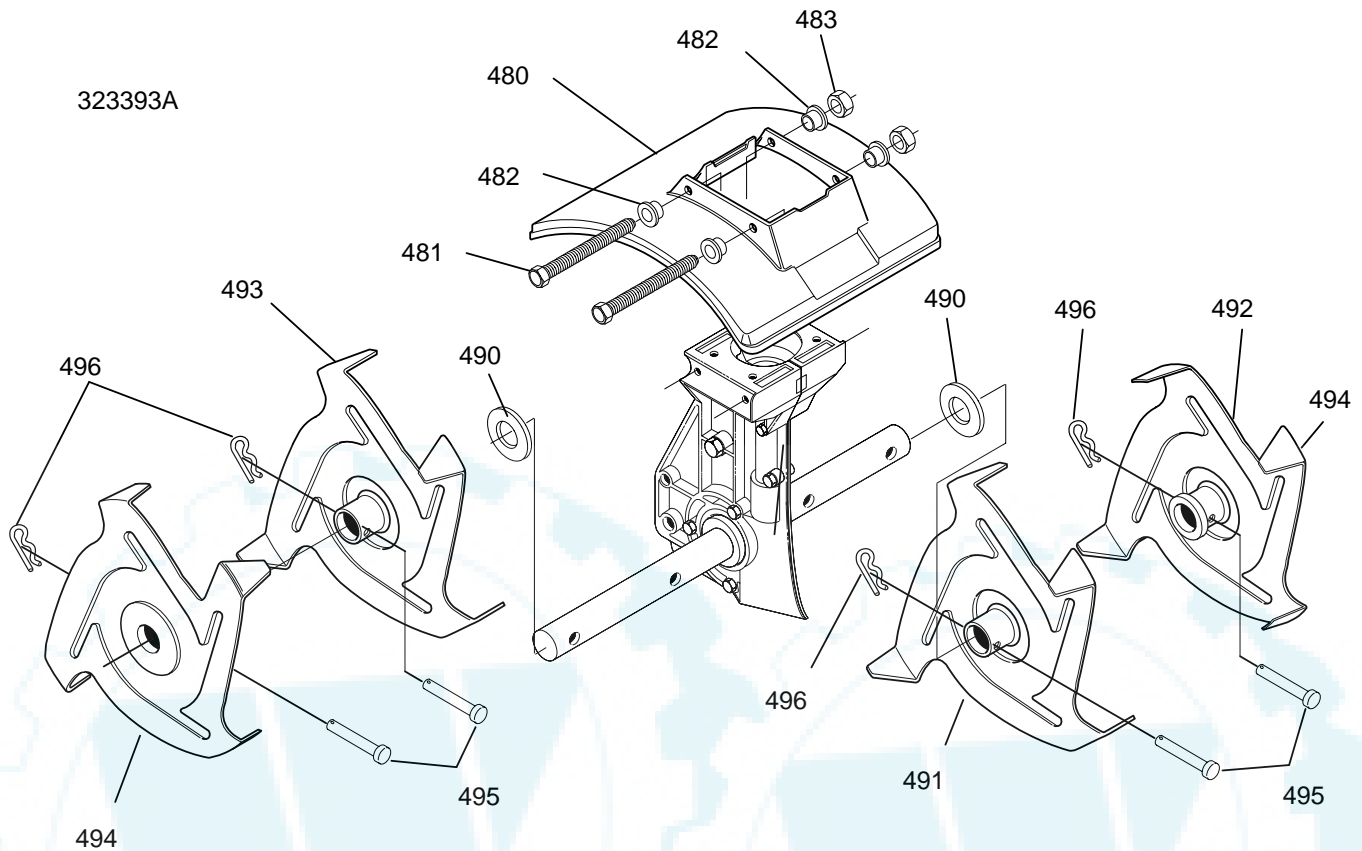
REPAIR PARTS



KEY NO.	DESCRIPTION	PART NO.
300	Transmission	740061
310	Bracket, Depth Rod	340549
311	Screw, 1/4-20x1.25	180024
312	Nut, 1/4-20	782585

MODEL 11052X50C

REPAIR PARTS

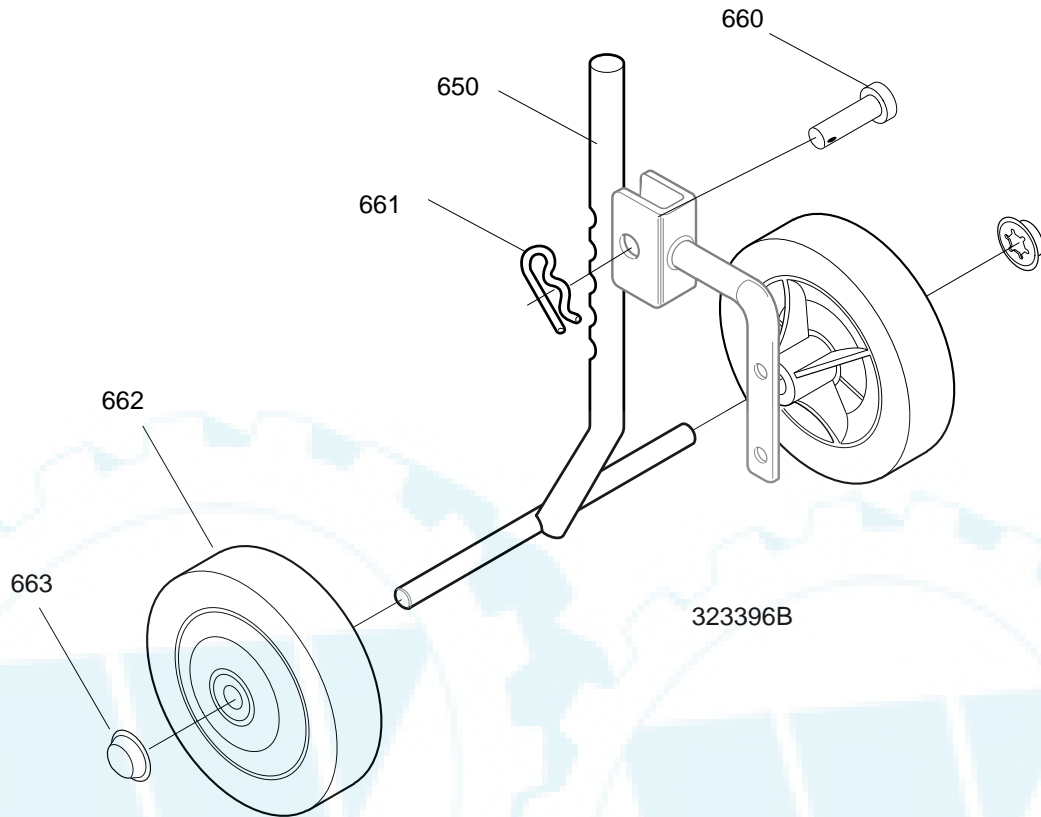


KEY NO.	DESCRIPTION	PART NO.
480	Shield, Tine	308563
481	Screw, 1/4-20x5.50	310056
482	Spacer, Flange	672734
483	Nut, 1/4-20	782585
490	Washer, Felt	56158
491	Tine Assy. Inner LH	56157-853

KEY NO.	DESCRIPTION	PART NO.
492	Tine Assy. Outer LH	56155-853
493	Tine Assy. Inner RH	56156-853
494	Tine Assy. Outer RH	56154-853
495	Clevis Pin	56123
496	Hair Pin	56180

MODEL 11052X50C

REPAIR PARTS

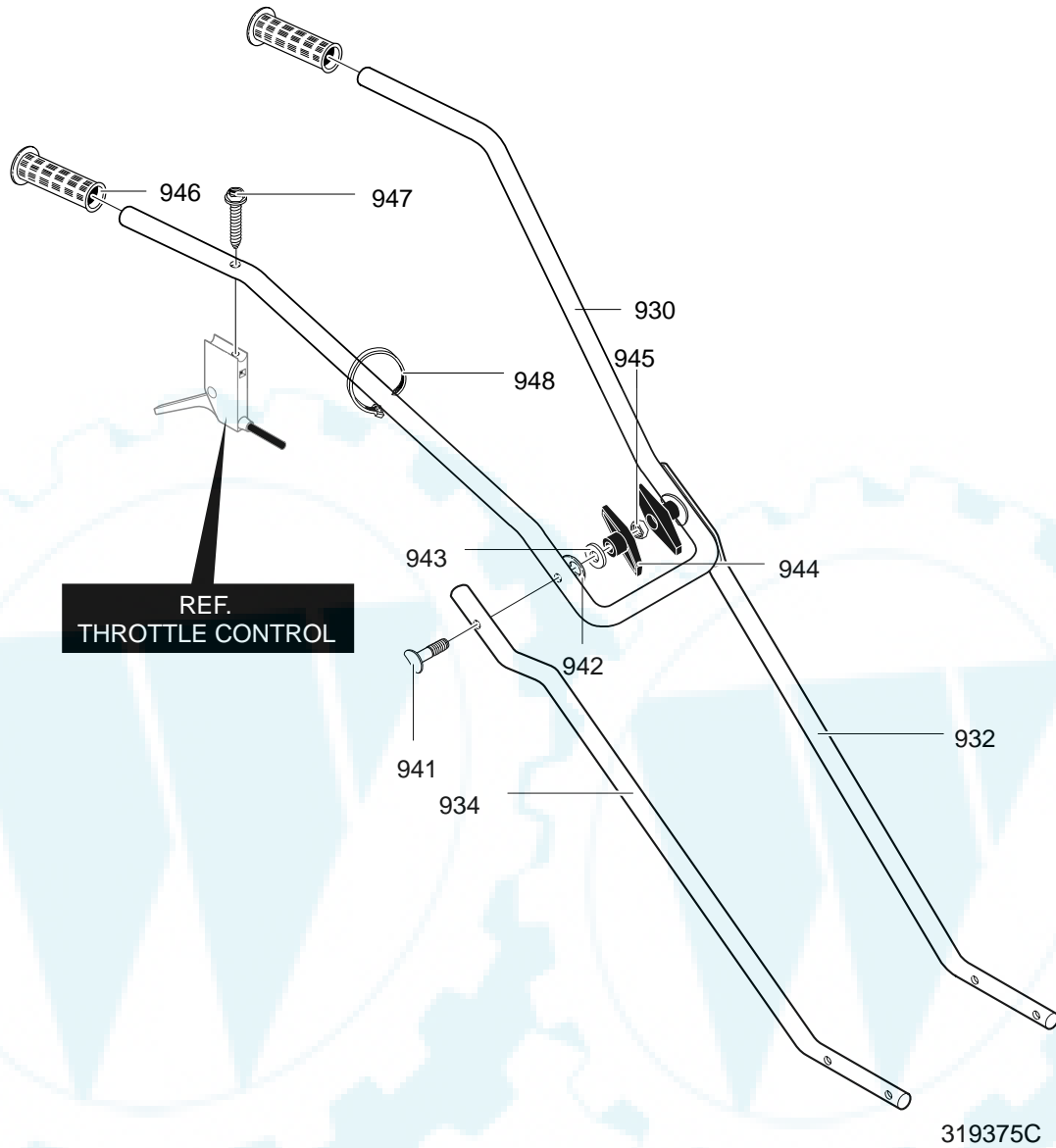


323396B

KEY NO.	DESCRIPTION	PART NO.
650	Wheel Support Assy.	331282
660	Clevis Pin	56123
661	Hair Pin	56180
662	Tire & Rim	339277
663	Push On Nut	73664

MODEL 11052X50C

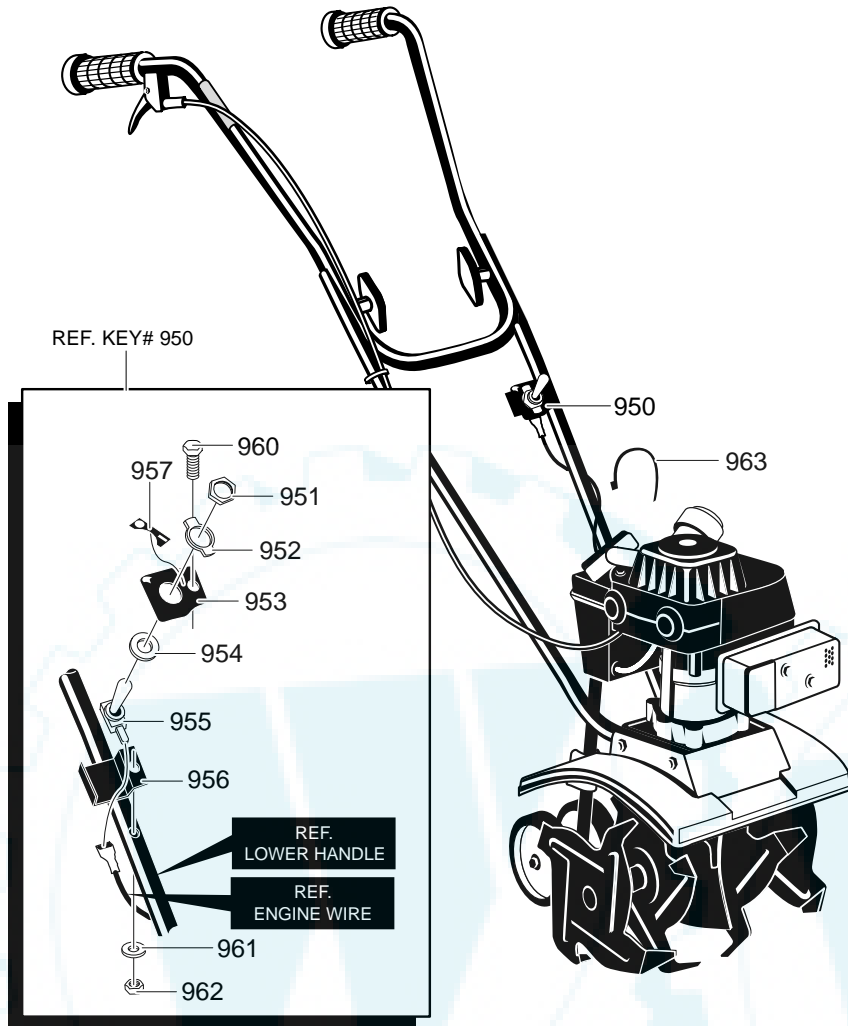
REPAIR PARTS



KEY NO.	DESCRIPTION	PART NO.
930	Upper Handle	339298-830
932	Lower Handle LH	339398-830
934	Lower Handle RH	339399-830
941	Bolt 5/16-18x1.63	56199
942	Formed Washer	783000
943	Flat washer	120393
944	T Knob	57171
945	Nut, 5/16-18	120376
946	Hand Grip	56778
947	Screw	426635
948	Tie, Cable	712267

MODEL 11052X50C

REPAIR PARTS



KEY NO.	DESCRIPTION	PART NO.
950	Switch, Assembly	333172
951	Nut, Mtg. 15/32	57029
952	Plate, Indicator	56248
953	Bracket, Mounting –Top	740081
954	Lockwasher	45878
955	Switch	56143
956	Bracket, Mounting –Bottom	740082
957	Decal, ON/OFF	339293
960	Screw	57019
961	Washer	138479
962	Nut	308459
963	Tie, Cable	57444