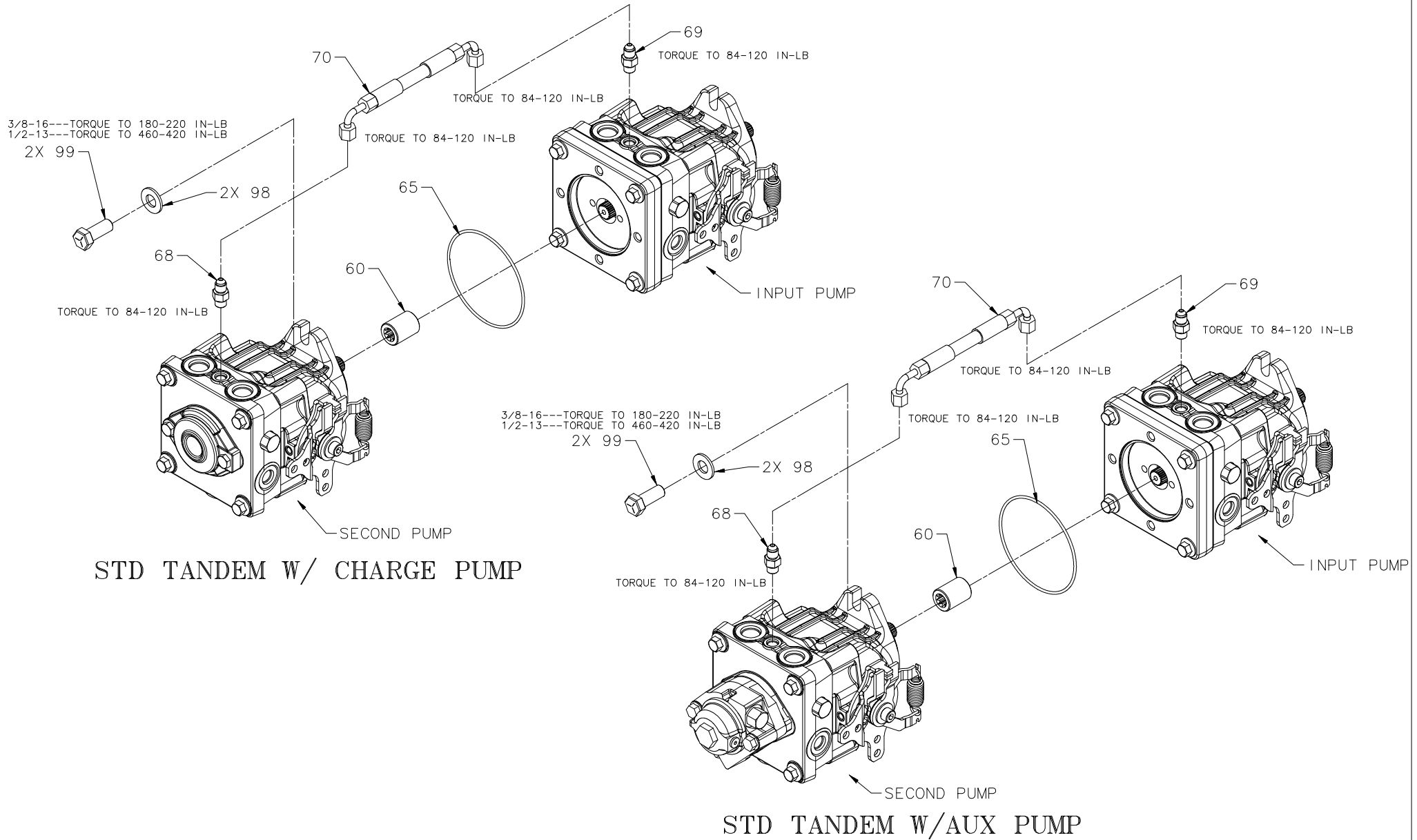
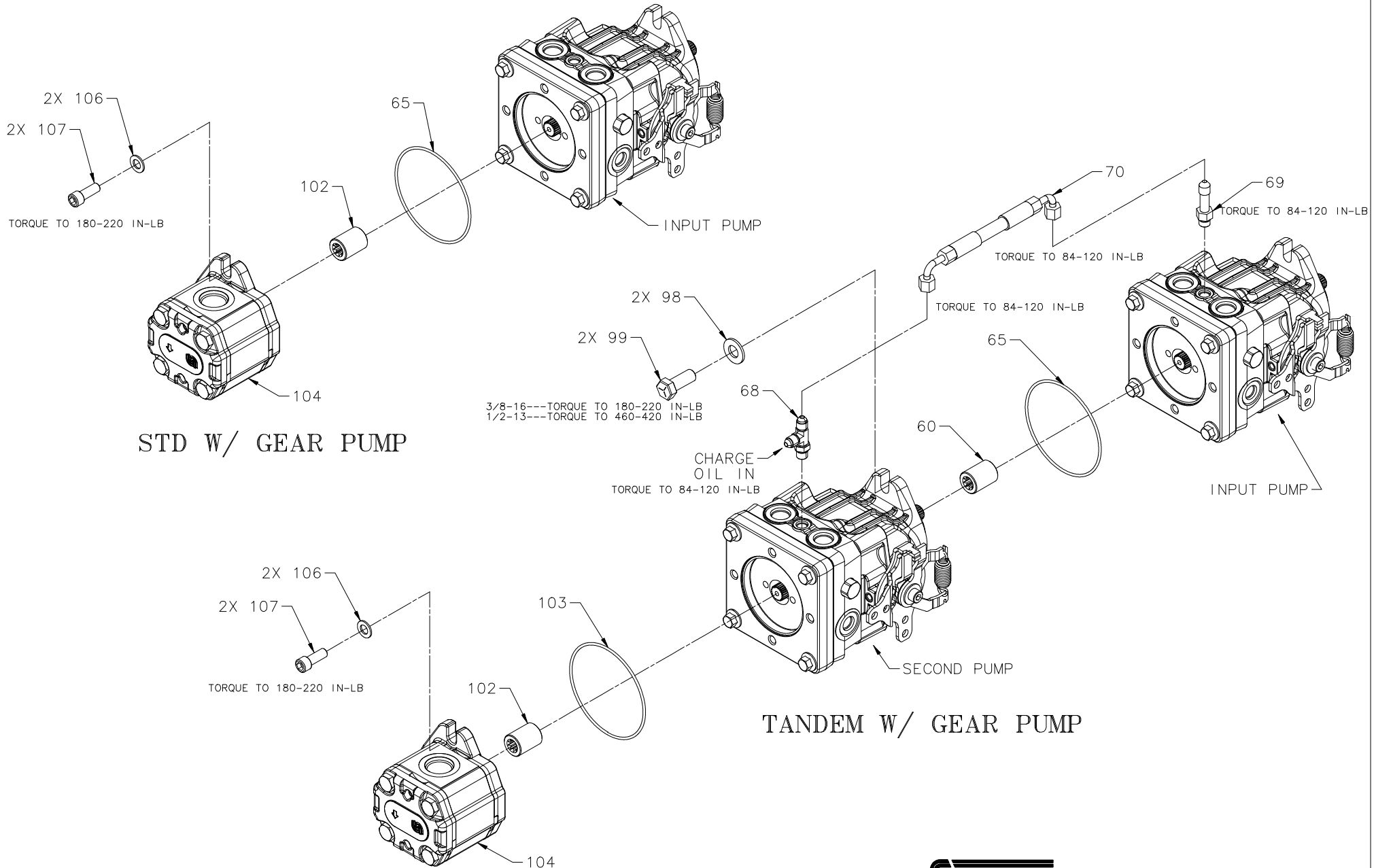


TANDEM SERVICE DRAWING COMBINED ASSEMBLY



TANDEM SERVICE DRAWING
 COMBINED ASSEMBLY
 (CONTINUED)



STD W/ GEAR PUMP

TANDEM W/ GEAR PUMP

TANDEM SERVICE DRAWING

TANDEM CROSS REFERENCE

MODEL NUMBER	INPUT	SECOND	REFERENCE	INPUT	SECOND
TANDEM: PR with GEAR PUMP					
TB-6CCA-XXXX-GFAX	PR-P4CC-2A1X-CXXX	N/A	T1103000C360	N/A	N/A
TH-4AA-XXXX-CF GX	PR-72AA-1Y1X-CXXX	N/A	T1201000C260	N/A	N/A
TB-6CCA-XXXX-45NX	PR-P4CC-2A1X-BXXX	NONE	TB-6CCA-XXXX-46NX	PR-P4CC-2A1X-CXXX	NONE
TB-6CCB-XXXX-45NX	PR-P4CC-2B1X-BXXX	NONE	TB-6CCB-XXXX-46NX	PR-P4CC-2B1X-CXXX	NONE
TB-6BBA-XXXX-JDAX	PR-P4BB-2A1X-BXXX	NONE	TB-6BBA-XXXX-JHAX	PR-P4BB-2A1X-CXXX	NONE
TB-6CCA-XXXX-JDAX	PR-P4CC-2A1X-BXXX	NONE	TB-6CCA-XXXX-JHAX	PR-P4CC-2A1X-CXXX	NONE
TANDEM: PW with GEAR PUMP					
TB-2CCY-XXXX-KFGX	PW-P4CC-2Y1X-CXXX	N/A	T2103000B414	N/A	N/A
TB-2CCY-XXXX-46NX	PW-P4CC-2Y1X-CXXX	N/A	T2104000A000	N/A	N/A
TH-2CCY-XXXX-B7AX	PW-74CC-1Y1X-7XXX	N/A	T2106000E138	N/A	N/A
TE-1AA-XXXX-KGAX	PW-T1AA-2Y1X-BXXX	N/A	T2201000B414	N/A	N/A
TH-1AA-XXXX-BHDX	PW-71AA-1Y2X-CXXX	N/A	T2202000E138	N/A	N/A
TH-1AA-XXXX-BDAX	PW-71AA-1Y1X-BXXX	N/A	BDT21G311100	N/A	N/A
TH-1CCY-XXXX-BHAX	PW-71CC-1Y1X-BXXX	N/A	T2203000E138	N/A	N/A
TE-1CCG-XXXX-45NX	PW-T1CC-2G1X-BXXX	NONE	TE-1CCG-XXXX-46NX	PW-T1CC-2G1X-CXXX	NONE
TB-2CCB-XXXX-45NX	PW-P4CC-2B1X-BXXX	NONE	TB-2CCB-XXXX-46NX	PW-P4CC-2B1X-CXXX	NONE
TB-2GGA-XXXX-FAAX	PW-P4GG-2A1X-BXXX	NONE	TB-2GGA-XXXX-FEAX	PW-P4GG-2A1X-CXXX	NONE
TE-2CCA-XXXX-JAAX	PW-T4CC-2A1X-BXXX	NONE	TE-2CCA-XXXX-JEAX	PW-T4CC-2A1X-CXXX	NONE
TE-1CCG-XXXX-KBAX	PW-T1CC-2G1X-BXXX	NONE	TE-1CCG-XXXX-KFAX	PW-T1CC-2G1X-CXXX	NONE
TE-1AA-XXXX-KCAX	PW-T1AA-2Y1X-BXXX	NONE	TE-1AA-XXXX-KGAX	PW-T1AA-2Y1X-CXXX	NONE
TB-2BBA-XXXX-JDAX	PW-P4BB-2A1X-BXXX	NONE	TB-2BBA-XXXX-JHAX	PW-P4BB-2A1X-CXXX	NONE
TH-1AA-XXXX-BDAX	PW-71AA-1Y1X-BXXX	NONE	TH-1AA-XXXX-BHAX	PW-71AA-1Y1X-CXXX	NONE
TANDEM: PR with PR					
TF-CCCY-CCCY-12BX	PR-UNCC-3Y1X-AXXX	PR-VTCC-EY1X-2XXX	T4201201A000	T40002010000	T40002010000
TF-CBBA-CBBA-12BX	PR-UNBB-3A1X-AXXX	PR-VTBB-EA1X-2XXX	T4202020A000	T42020000000	T40002020000
TF-CBBA-DBBA-53BX	PR-UNBB-3A1X-AXXX	PR-VTBB-EA1X-1XXX	T4202100F000	T42020000000	T40001000000
TC-CKKG-CKKG-BBHXX	PR-DNKK-3G1X-AXXX	PR-YQKK-1G1X-BXXX	TC-CKKG-CKKG-BFHXX	PR-DNKK-3G1X-AXXX	PR-YQKK-1G1X-CXXX
TN-CGGA-CGGA-HBBX	PR-CNGG-3A1X-AXXX	PR-WQGG-2A1X-BXXX	TN-CGGA-CGGA-HFBX	PR-CNGG-3A1X-AXXX	PR-WQGG-2A1X-CXXX
TN-CLLA-CLLA-GBBX	PR-CNLL-3A1X-AXXX	PR-WQLL-2A1X-BXXX	TN-CLLA-CLLA-GFBX	PR-CNLL-3A1X-AXXX	PR-WQLL-2A1X-CXXX
TN-CLLA-CLLA-JBBX	PR-CNLL-3A1X-AXXX	PR-WQLL-2A1X-BXXX	TN-CLLA-CLLA-JFBX	PR-CNLL-3A1X-AXXX	PR-WQLL-2A1X-CXXX
TF-CBBG-CBBG-CGBX	PR-UNBB-3G1X-AXXX	PR-YQBB-1G1X-BXXX	TF-CBBG-CBBG-CGBX	PR-UNBB-3G1X-AXXX	PR-YQBB-1G1X-CXXX
TANDEM: PW with PW					
TF-AAAY-AAAY-13BX	PW-UNAA-3Y1X-AXXX	PW-VTAA-EY1X-3XXX	T7200200A000 (BDT21-200200)	T7200000A000 (BDT21-200XXX)	T70002000000 (BDT21-XXX200)
TF-AAAY-AAAY-13HX	PW-UNAA-3Y1X-AXXX	PW-VTAA-EY1X-3XXX	T7200400A000 (BDT21-200400)	BDT21-200XXX	BDT21-XXX400
TF-ACCY-ACCY-51BX	PW-UNCC-3Y1X-AXXX	PW-VUCC-EY1X-3XXX	T7208208F000	T72080000000	T70002080000
TF-AAAY-AAAY-2XHX	PW-TNAA-2Y1X-AXXX	PW-VVAA-JY1X-AXXX	T7200901B460	T72000000000	T70009010000

INPUT PUMP PRIMARY SERVICE KITS PER MODEL NUMBER

MODEL NO.	REFERENCE NO	PUMP SHAFT (KIT #1)	HOUSING (KIT #15)	ENDCAP (KIT #25)	BYPASS VALVE (KIT #50)	CHECK VALVE (RH) (KIT #42A)	CHECK VALVE (LH) (KIT #42B)	TRUNNION ARM	RTN KIT#110
TB-6CCA-XXXX-GFAX	T1103000C360	70754	70965	70967	2513030	70743	70743	LH	70869
TH-4AA-XXXX-CF GX	T1201000C260	70713	70738	70967	2513030	70741	70741	RH	N/A
TB-2CCY-XXXX-KFGX	T2103000B414	70754	70965	70967	2513030	70743	70743	LH	N/A
TB-2CCY-XXXX-46NX	T2104000A000	70754	70965	70967	2513030	70743	70743	LH	N/A
TH-2CCY-XXXX-B7AX	T2106000E138	70713	71060	70529	2513030	70743	70743	LH	N/A
TE-1AA-XXXX-KCAX	T2201000B314	70753	71060	-----	2513030	-----	-----	RH	N/A
TH-1AA-XXXX-BHDX	T2202000E138	70713	71060	70529	2513031	70741	70741	RH	N/A
TH-1AA-XXXX-BDAX	BDT21G311100	70713	71060	70529	2513030	70741	70741	RH	N/A
TH-1CCY-XXXX-BHAX	T2203000E138	70713	71060	70529	2513030	70743	70743	RH	N/A
PR-UNCC-3Y1X-AXXX	T40002010000	70605	70965	70967	2513030	70743	70743	RH	N/A
PR-UNBB-3A1X-AXXX	T42020000000	70605	70965	70967	2513030	70742	70742	RH	70869
PW-UNAA-3Y1X-AXXX	T7200000A000	70605	70528	-----	2513030	-----	-----	RH	N/A
PW-UNAA-3Y1X-AXXX	BDT21-200XXX	70605	70528	-----	2513030	-----	-----	RH	N/A
PW-UNCC-3Y1X-AXXX	T72080000000	70605	70528	70529	2513030	70743	70743	RH	N/A
PW-TNAA-2Y1X-AXXX	T72000000000	70605	70528	-----	2513030	-----	-----	RH	N/A

SECOND PUMP PRIMARY SERVICE KITS PER MODEL NUMBER

MODEL NO.	REFERENCE NO	PUMP SHAFT (KIT #1)	HOUSING (KIT #15)	ENDCAP (KIT #25)	BYPASS VALVE (KIT #50)	CHECK VALVE (RH) (KIT #42A)	CHECK VALVE (LH) (KIT #42B)	TRUNNION ARM	RTN KIT#110	CHARGE PUMP (KIT #40)	CHARGE RELIEF (KIT #44)	INPUT ROTATION
PR-VTCC-EY1X-2XXX	T40002010000	70607	70966	70736	2513030	70743	70743	RH	N/A	2510071	70402	CW
PR-VTBB-EA1X-2XXX	T40002020000	70607	70966	70736	2513030	70742	70742	RH	70869	2510071	70402	CW
PR-VTBB-EA1X-1XXX	T40001000000	70607	70966	70736	2513030	70742	70742	LH	70869	2510071	70402	CW
PW-VTAA-EY1X-3XXX (BDT21-XXX200)	T70002000000	70607	70533	71043	2513030	71043	71043	RH	N/A	2510071	70402	CW
PW-VTAA-EY1X-3XXX	BDT21-XXX400	70607	70533	71043	2513030	71043	71043	RH	N/A	2510071	70402	CCW
PW-VUCC-EY1X-3XXX	T70002080000	70607	70533	2510066	2513030	70589	70589	RH	N/A	2510071	70402	CW
PW-VVAA-JY1X-AXXX	T70009010000	70607	70533	71049	2513030	71049	71049	RH	N/A	70387	2510061	CCW



TANDEM SERVICE DRAWING

T		-	*				-	*				-				
1	2	-	3	4	5	6	-	7	8	9	10	-	11	12	13	14

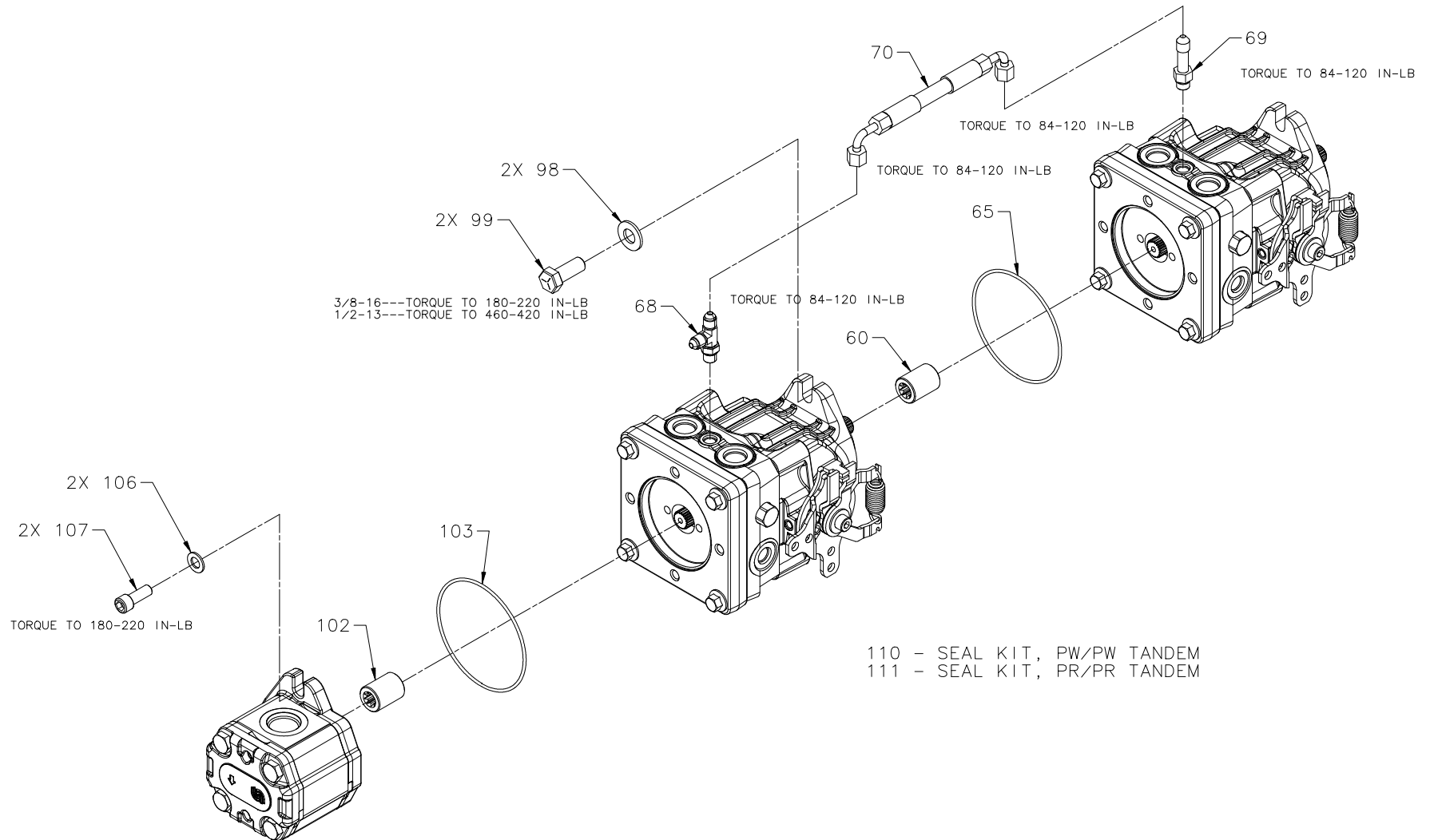
INPUT PUMP SERVICE PARTS AND KITS

CHARACTER 3	DESCRIPTION
A, B, 1 OR 2	CLICK HERE TO SEE PW SERIES SERVICE SCHEMATIC
C, D, E, F, 3, 4, 5 OR 6	CLICK HERE TO SEE PR SERIES SERVICE SCHEMATIC
G, H, J, K, L, M	CLICK HERE TO SEE PJ SERIES SERVICE SCHEMATIC
N, P, Q, R	CLICK HERE TO SEE PC SERIES SERVICE SCHEMATIC

SECOND PUMP SERVICE PARTS AND KITS

CHARACTER 7	DESCRIPTION
A OR B	CLICK HERE TO SEE PW SERIES SERVICE SCHEMATIC
C OR D	CLICK HERE TO SEE PR SERIES SERVICE SCHEMATIC
G OR H	CLICK HERE TO SEE PJ SERIES SERVICE SCHEMATIC
N OR P	CLICK HERE TO SEE PC SERIES SERVICE SCHEMATIC

TANDEM SERVICE DRAWING



TANDEM SERVICE DRAWING

T							*				*					
1	2	-	3	4	5	6	-	7	8	9	10	-	11	12	13	14

FINAL ASSEMBLY PARTS -- TANDEM AUX, CHG OR GEAR PUMP (A OR AA-PAD)

CHARACTER 7	CHARACTER 11	ITEM #	COMPONENT #	DESCRIPTION	QTY
A OR B	1 OR 2	60	51275	COUPLING, 20 T 32/64	1
		65	51300	O-RING, .103 X 3.987 ID	1
		68	51310	FITTING, 7/16 SAE ST-JIC	1
		69	51310	FITTING, 7/16 SAE ST-JIC	1
		70	51311	HOSE ASSY, 7.0* LONG	1
		98	51265	WASHER, 1/2 SAE	2
	5 OR 6	99	51286	HHCS, 1/2-13 X 1.25 LONG	2
		60	51275	COUPLING, 20 T 32/64	1
		65	51300	O-RING, .103 X 3.987 ID	1
		68	51310	FITTING, 7/16 SAE ST-JIC	1
		69	51310	FITTING, 7/16 SAE ST-JIC	1
		70	51312	HOSE ASSY, 15.5* LONG	1
	3, B, C, D	98	51265	WASHER, 1/2 SAE	2
		99	51286	HHCS, 1/2-13 X 1.25 LONG	2
		102	51497	COUPLING, 9T 20/40	1
		103	51508	O-RING, .103 X 1.987 ID	1
		106	51507	SHCS 3/8-16 X 1	2
		107	51506	WASHER, 0.734 X 0.406 X 0.063	2
	4, F, C, H, J, K	60	51275	COUPLING, 20 T 32/64	1
		65	51300	O-RING, .103 X 3.987 ID	1
		68	51733	FITTING, 7/16 SAE LG ST-JIC	1
		69	51513	TEE, 7/16 RUN SAE ST-JIC	1
		70	51311	HOSE ASSY, 7.0* LONG	1
		98	51265	WASHER, 1/2 SAE	2
7, M, N, P	99	51286	HHCS, 1/2-13 X 1.25 LONG	2	
	102	51491	COUPLING, 9T 16/32	1	
	103	51509	O-RING, .103 X 3.237 ID	1	
	106	51507	SHCS 3/8-16 X 1	2	
	107	51506	WASHER, 0.734 X 0.406 X 0.063	2	
	60	51275	COUPLING, 20 T 32/64	1	
8, R, T, U, V, W	65	51300	O-RING, .103 X 3.987 ID	1	
	68	51733	FITTING, 7/16 SAE LG ST-JIC	1	
	69	51513	TEE, 7/16 RUN SAE ST-JIC	1	
	70	51312	HOSE ASSY, 15.5* LONG	1	
	98	51265	WASHER, 1/2 SAE	2	
	99	51286	HHCS, 1/2-13 X 1.25 LONG	2	
		102	51491	COUPLING, 9T 16/32	1
		103	51509	O-RING, .103 X 3.237 ID	1
		106	51507	SHCS 3/8-16 X 1	2
		107	51506	WASHER, 0.734 X 0.406 X 0.063	2

FINAL ASSEMBLY PARTS -- TANDEM AUX, CHG OR GEAR PUMP (A OR AA-PAD)

CHARACTER 7	CHARACTER 11	ITEM #	COMPONENT #	DESCRIPTION	QTY
C OR D	1 OR 2	60	51275	COUPLING, 20 T 32/64	1
		65	51509	O-RING, .103 X 3.237 ID	1
		68	51310	FITTING, 7/16 SAE ST-JIC	1
		69	51310	FITTING, 7/16 SAE ST-JIC	1
		70	51311	HOSE ASSY, 7.0* LONG	1
		98	51506	WASHER, .734 X .406 X .063	2
	5 OR 6	99	51265	SHCS, 3/8-16 X 1	2
		60	51275	COUPLING, 20 T 32/64	1
		65	51509	O-RING, .103 X 3.237 ID	1
		68	51310	FITTING, 7/16 SAE ST-JIC	1
		69	51310	FITTING, 7/16 SAE ST-JIC	1
		70	51312	HOSE ASSY, 15.5* LONG	1
	3, B, C, D	98	51506	WASHER, .734 X .406 X .063	2
		99	51265	SHCS, 3/8-16 X 1	2
		60	51275	COUPLING, 20 T 32/64	1
		65	51509	O-RING, .103 X 3.237 ID	1
		68	51733	FITTING, 7/16 SAE LG ST-JIC	1
		69	51513	TEE, 7/16 RUN SAE ST-JIC	1
	4, F, C, H, J, K	70	51311	HOSE ASSY, 7.0* LONG	1
		98	51506	WASHER, .734 X .406 X .063	2
		99	51265	SHCS, 3/8-16 X 1	2
		102	51491	COUPLING, 9T 16/32	1
		103	51509	O-RING, .103 X 3.237 ID	1
		106	51507	SHCS 3/8-16 X 1	2
7, M, N, P	107	51506	WASHER, 0.734 X 0.406 X 0.063	2	
	60	51275	COUPLING, 20 T 32/64	1	
	65	51509	O-RING, .103 X 3.237 ID	1	
	68	51733	FITTING, 7/16 SAE LG ST-JIC	1	
	69	51513	TEE, 7/16 RUN SAE ST-JIC	1	
	70	51312	HOSE ASSY, 15.5* LONG	1	
8, R, T, U, V, W	98	51506	WASHER, .734 X .406 X .063	2	
	99	51265	SHCS, 3/8-16 X 1	2	
	102	51497	COUPLING, 9T 20/40	1	
	103	51508	O-RING, .103 X 1.987 ID	1	
	106	51507	SHCS 3/8-16 X 1	2	
	107	51506	WASHER, 0.734 X 0.406 X 0.063	2	
		60	51275	COUPLING, 20 T 32/64	1
		65	51509	O-RING, .103 X 3.237 ID	1
		68	51733	FITTING, 7/16 SAE LG ST-JIC	1
		69	51513	TEE, 7/16 RUN SAE ST-JIC	1
		70	51312	HOSE ASSY, 15.5* LONG	1
		98	51506	WASHER, .734 X .406 X .063	2
		99	51265	SHCS, 3/8-16 X 1	2
		102	51491	COUPLING, 9T 16/32	1
		103	51509	O-RING, .103 X 3.237 ID	1
		106	51507	SHCS 3/8-16 X 1	2
		107	51506	WASHER, 0.734 X 0.406 X 0.063	2

ITEM	P/N	DESCRIPTION	QTY
110	70531	KIT, SEAL - PW/PW TANDEM	1
111	70941	KIT, SEAL - PR/PR TANDEM	1



TANDEM SERVICE DRAWING

T	*	-					-	*					-	*		*	
1	2	-	3	4	5	6	-	7	8	9	10	-	11	12	13	14	

TANDEM PJ+PJ OR PJ+GEAR PUMP (A OR AA PAD)

CHAR 7:	CHAR 11:	ITEM	PART #	DESCRIPTION	QTY
G or H	1, 2, 5, 6, A, L	060	52265	COUPLING 15T 32/64 TO 9T 16/32	1
		065	51509	O-RING, .103 X 3.237 ID	1
		098	51507	SHCS 3/8-16 X 1	2
		099	51506	WASHER 0.734 X 0.406 X 0.063	2
		170	51310	FITTING, 7/16 SAE ST-JIC	1
		171	51310	FITTING, 7/16 SAE ST-JIC	1
G or H	1, 2, 3, B, C, D, 4, F, G, H, J, K	060	52265	COUPLING 15T 32/64 TO 9T 16/32	1
		065	51509	O-RING, .103 X 3.237 ID	1
		098	51507	SHCS 3/8-16 X 1	2
		099	51506	WASHER 0.734 X 0.406 X 0.063	2
		172	51311	HOSE ASSY - 7.0 LONG	1
		060	52265	COUPLING 15T 32/64 TO 9T 16/32	1
	5, 6, 7, Z, M, N, P, 8, R, T, U, V, W	065	51509	O-RING, .103 X 3.237 ID	1
		098	51507	SHCS 3/8-16 X 1	2
		099	51506	WASHER 0.734 X 0.406 X 0.063	2
		172	51312	HOSE ASSY - 15.5 LONG	1

FOR PJ TANDEMS ONLY

OR

CHAR 2:	CHAR 11:	ITEM	PART #	DESCRIPTION	QTY
R, T or U	3, Y, B, C, D, 7, Z, N, P, M	102	52266	COUPLING 15T 32/64 TO 9T 20/40	1
		103	51508	O-RING, .103 X 1.987 ID	1
		106	51507	SHCS 3/8-16 X 1	2
		107	51506	WASHER 0.734 X 0.406 X 0.063	2
R, T or U	4, F, G, H, J, K, 8, R, T, U, V, W	102	52265	COUPLING 15T 32/64 TO 9T 16/32	1
		103	51509	O-RING, .103 X 3.237 ID	1
		106	51507	SHCS 3/8-16 X 1	2
		107	51506	WASHER 0.734 X 0.406 X 0.063	2
	3 OR 4	108	52430	CAPLUG L-17	1

TANDEM PC+PC OR PC+GEAR PUMP (AA PAD)

CHAR 7:	CHAR 11:	ITEM	PART #	DESCRIPTION	QTY
N or P	1, 2, 5, 6	060	52266	COUPLING 15T 32/64 TO 9T 20/40	1
		065	51508	O-RING, .103 X 1.987 ID	1
		098	51765	SHCS 3/8-16 X 1	2
		099	51506	WASHER 0.734 X 0.406 X 0.063	2
		170	52426	FITTING, 7/16 SAE ST-JIC	1
		171	52426	FITTING, 7/16 SAE ST-JIC	1
N or P	1, 2, Y, B, C, D	060	52266	COUPLING 15T 32/64 TO 9T 20/40	1
		065	51508	O-RING, .103 X 1.987 ID	1
		098	51765	SHCS 3/8-16 X 1	2
		099	51506	WASHER 0.734 X 0.406 X 0.063	2
		172	51311	HOSE ASSY - 7.0 LONG	1
		060	52266	COUPLING 15T 32/64 TO 9T 20/40	1
	5, 6, Z, M, N, P	065	51508	O-RING, .103 X 1.987 ID	1
		098	51765	SHCS 3/8-16 X 1	2
		099	51506	WASHER 0.734 X 0.406 X 0.063	2
		172	51312	HOSE ASSY - 15.5 LONG	1

FOR PC TANDEMS ONLY

OR

CHAR 2:	CHAR 11:	ITEM	PART #	DESCRIPTION	QTY
V, W	3, Y, B, C, D, 7, Z, M, N, P	102	52266	COUPLING 15T 32/64 TO 9T 20/40	1
		103	51508	O-RING, .103 X 1.987 ID	1
		106	51765	SHCS 3/8-16 X 1	2
		107	51506	WASHER 0.734 X 0.406 X 0.063	2
		3 OR 4	108	51705	CAPLUG L-13X

FINAL ASSEMBLY PARTS -- GEAR PUMP OPTIONS

CHARACTER 11	CHARACTER 13	ITEM #	COMPONENT #	DESCRIPTION	QTY
Y OR Z	A THRU F	104	51501-56	2.2cc CW AA PAD	1
	G THRU M		51501-57	2.2cc CCW AA PAD	1
B OR M	A THRU F		51501-50	3.8 cc CW AA-PAD	1
	G THRU M		51501-51	3.8 cc CCW AA-PAD	1
C OR N	A THRU F		51501-52	6.0 cc CW AA-PAD	1
	G THRU M		51501-53	6.0 cc CCW AA-PAD	1
D OR P	A THRU F		51501-54	7.8 cc CW AA-PAD	1
	G THRU M		51501-55	7.8 cc CCW AA-PAD	1
F OR R	A THRU F		51501-10	4.0 cc CW A-PAD	1
	G THRU M		51501-11	4.0 cc CCW A-PAD	1
G OR T	A THRU F		51501-12	6.0 cc CW A-PAD	1
	G THRU M		51501-13	6.0 cc CCW A-PAD	1
H OR U	A THRU F		51501-14	8.0 cc CW A-PAD	1
	G THRU M		51501-15	8.0 cc CCW A-PAD	1
J OR V	A THRU F		51501-16	11.0 cc CW A-PAD	1
	G THRU M		51501-17	11.0 cc CCW A-PAD	1
K OR W	A THRU F		51501-18	14.0 cc CW A-PAD	1
	G THRU M		51501-19	14.0 cc CCW A-PAD	1

