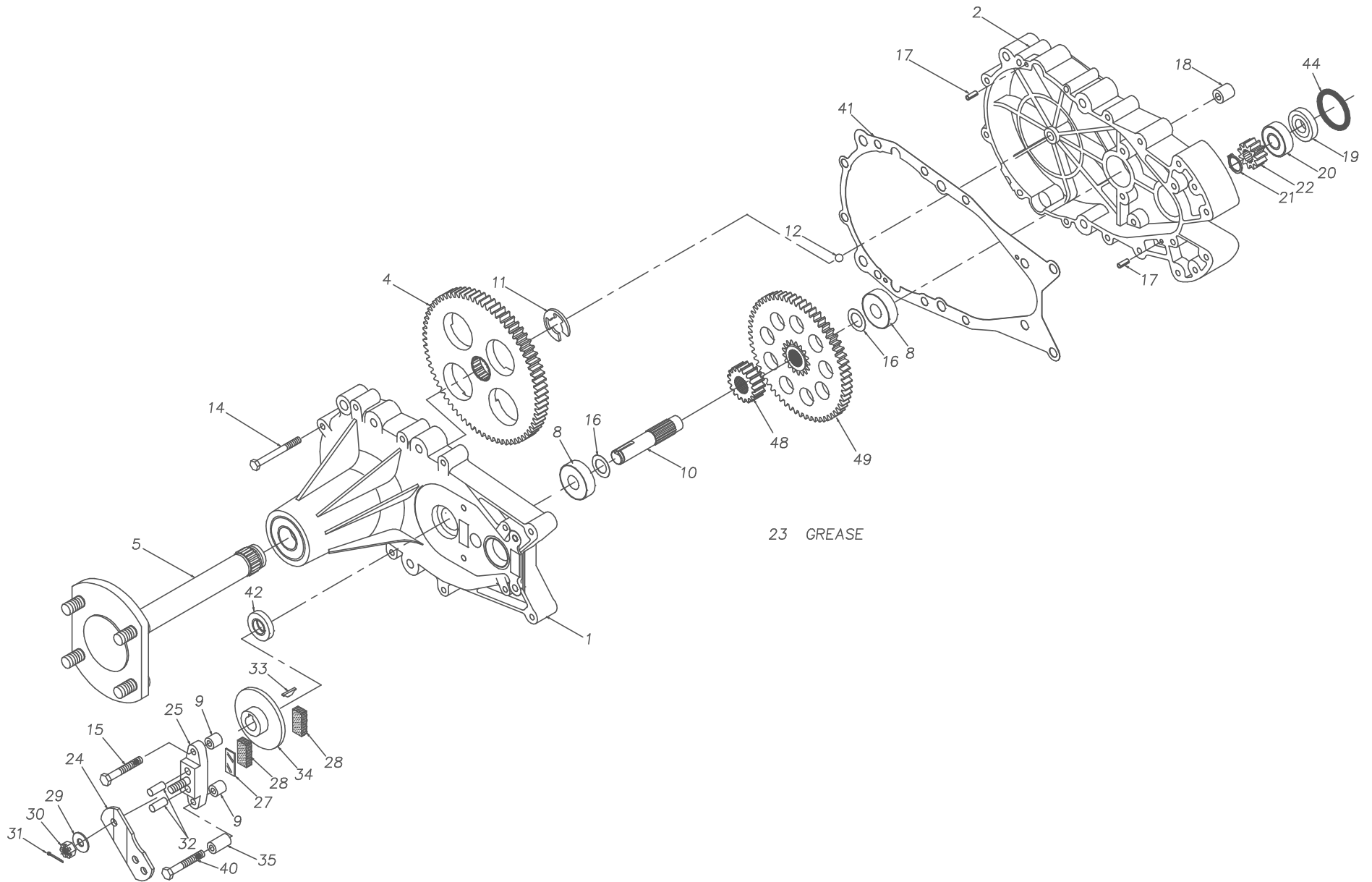


481589
222-2500R



P.1 of 2. 70321-S3

481589
222-2500R

| REF | PART NO. | QTY | DESCRIPTION |
|-----|--------------|-----|-------------------------------------|
| 1 | 70319 | 1 | ASS'Y, AXLE CARRIER HOUSING |
| | | 1 | AXLE CARRIER HOUSING |
| | | 1 | BALL BEARING, 52MM X 25MM X 15MM |
| | | 1 | FLANGE BEARING |
| | | 1 | OIL SEAL, 1.25 OD X .625 ID |
| | | 1 | OIL SEAL, 52MM X 25MM |
| 2 | 50954 | 1 | HYDRO MOUNT HOUSING |
| 4 | 44358 | 1 | SPLINED 72 TOOTH FINAL DRIVE GEAR |
| 5 | 62681 | 1 | ASS'Y, AXLE |
| | | 1 | AXLE SHAFT |
| | | 4 | LUG BOLT |
| 8 | 50625 | 2 | BALL BEARING .625ID X 1.57 X .47 |
| 9 | 23770 | 2 | BRAKE SPACER |
| 10 | 44351 | 1 | BRAKE SHAFT (SPLINED) |
| 11 | 44359 | 1 | E-RING |
| 12 | 9001214-3700 | 1 | BALL, 3/8" DIAMETER |
| 15 | 44276 | 1 | BOLT, 1/4-20 X 1-1/2" |
| 14 | 44366 | 10 | BOLT, 1/4-20 X 2-1/2" |
| 16 | 50629 | 2 | WASHER, HT 5/8ID X 1.0 OD X .01 THK |
| 17 | 44269 | 2 | PIN, SPRING 3/16" X 1/2" LONG |
| 18 | 23749 | 2 | MOUNTING SPACER (481224 ASS'Y) |
| - | 23749 | 3 | MOUNTING SPACER (481223 ASS'Y) |
| 19 | 44355 | 1 | BEARING SPACER |
| 20 | 44232 | 1 | BALL BEARING 15 MM X 35 MM X 11 MM |
| 21 | 44354 | 1 | RETAINING RING |
| 22 | 44353 | 1 | 11 TOOTH INPUT GEAR |
| 23 | 50416 | 2 | GREASE(10 OZ TUBE) |
| 24 | 44094 | 1 | ARM, BRAKE ACTUATOR (481223 ASS'Y) |
| - | 44613 | 1 | ARM, BRAKE ACTUATOR (481224 ASSY) |
| 25 | 62589 | 1 | ASS'Y, BRAKE YOKE |
| | | 1 | BRAKE YOKE |
| | | 1 | SQUARE HEAD BOLT |
| 27 | 44134 | 1 | PLATE, PUCK |
| 28 | 44132 | 2 | PUCK, BRAKE |
| 29 | 44130 | 1 | WASHER, 7/16 X 7/8 OD X .06 HT |
| 30 | 44142 | 1 | NUT, CASTLE 5/16-24 PL |
| 31 | 44101 | 1 | PIN, COTTER |
| 32 | 44127 | 2 | PIN, BRAKE ACTUATING |
| 33 | 44143 | 1 | KEY, HI PRO 3/16 X 5/8 |
| 34 | 44090 | 1 | DISC, BRAKE |
| 35 | 23711 | 1 | SPACER, TORSION SPRING |
| 40 | 44612 | 1 | BOLT, 1/4-20 X 2-1/2" |
| 41 | 50223 | 1 | GASKET, HSG |
| 42 | 50263 | 1 | OIL SEAL, 1.25 X .625 |
| 44 | 50267 | 1 | O-RING |
| 48 | 50419 | 1 | 17T GEAR |
| 49 | 50420 | 1 | 60T GEAR |



P.2 of 2. 70321-S3