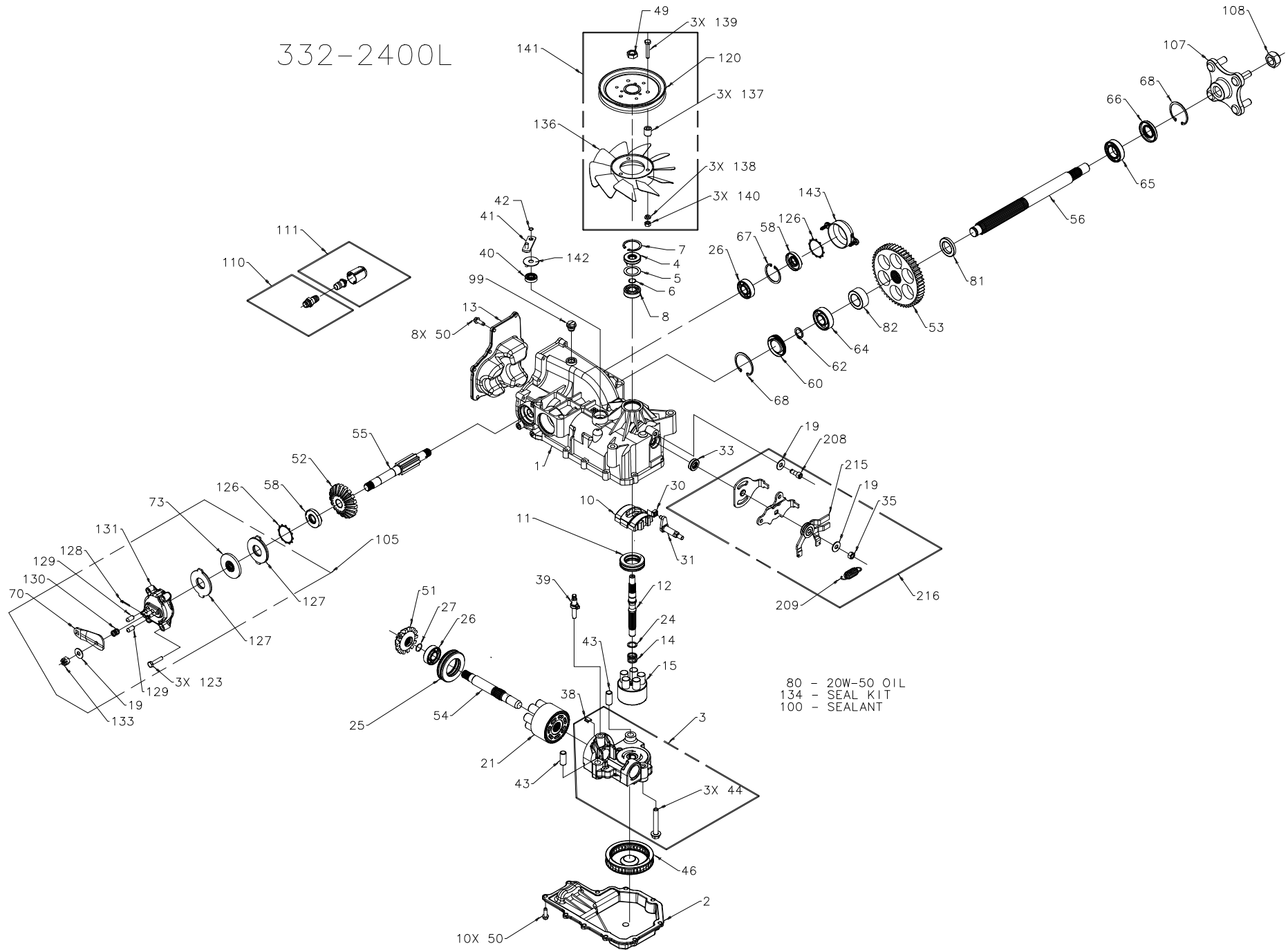


332-2400L



80 - 20W-50 OIL  
134 - SEAL KIT  
100 - SEALANT



# 332-2400L

ITEM #	PART #	QTY	DESCRIPTION
1	70652	1	KIT, HOUSING-MAIN
		1	HOUSING, MAIN
		2	BEARING, CRADLE
		1	SEAL, LIP 12 X 25 X 7
		1	BUSHING, TRUNNION
		1	SHAFT, BRAKE
		1	SCREW, HFHC 1/4-28 X 7/8 (PATCH)
		1	WASHER .34 X .88 X .03
2	50890RM	1	HOUSING, LOWER
3	70667	1	KIT, CENTER SECTION
		1	CENTER SECTION
		1	BUSHING .67 X 1.03 X .75
		1	PLATE, BYPASS
		3	SCREW 3/8-24 X 2.5
		2	CHECK PLUG ASSEMBLY, .027
		1	SEAL, LIP
4	9008000-0128	1	SPACER
5	2003018	1	RING, WIRE RETAINING
6	2003016	1	RING, RETAINING
7	2003052	1	BEARING, BALL
8	2003043	1	VARIABLE SWASHPLATE
10	2003087	1	BEARING, THRUST 30 X 52 X 13
11	50551	1	SHAFT, INPUT
12	50005	1	COVER-BACK
13	50891RM	1	SPRING, BLOCK
14	2003014	1	CYLINDER BLOCK ASS'Y, 10cc
15	70331	1	CYLINDER BLOCK, 10cc
		5	PISTON SPRING, 10cc
		5	WASHER, PISTON SEAT
		5	PISTON, 10cc
19	44130	5	WASHER
21	70082	1	CYLINDER BLOCK ASS'Y, 21cc
		1	CYLINDER BLOCK, 21cc
		7	PISTON SPRING, 21cc
		7	PISTON SEAT WASHER
		7	PISTON, 21cc
24	2003017	1	WASHER, BLOCK THRUST
25	50552	1	BEARING, THRUST 42 X 68 X 16
26	50315	2	BEARING, BALL
27	2000022	1	RING, WIRE RETAINING
30	2000015	1	GUIDE, SLOT
31	50807	1	ARM, TRUNNION
33	9008000-0126	1	SEAL, LIP
35	52506	1	NUT, LOCK 5/16-24 UNF
38	70680	1	KIT, BYPASS PLATE
39	2003555	1	ACTUATOR, BYPASS
40	45074	1	SEAL, LIP
41	50126	1	ARM, BYPASS
42	44870	1	RING, RETAINING
43	50002	2	PIN
44	50016	3	SCREW
46	50990	1	FILTER
49	51244	1	NUT, HEX LOCK 1/2-20 (NYLON INSERT)
50	50752	18	SCREW, 1/4-20 X .75 LONG

ITEM #	PART #	QTY	DESCRIPTION
51	50744	1	GEAR, 14T BEVEL
52	50745	1	GEAR, 19T BEVEL
53	50746	1	GEAR, 53T SPUR
54	50757	1	SHAFT, MOTOR
55	51335	1	SHAFT, BRAKE
56	50748	1	SHAFT, AXLE
58	51161	2	SEAL, LIP 70 X 40 X 7
60	50995	1	SEAL, PLUG - SIDE
62	50759	1	RING, RETAINING - AXLE
64	50743	1	BEARING, BALL 20X47X14(6204)
65	50740	1	BEARING, BALL 25X47X12(6005)
66	50751	1	SEAL
67	50329	1	RING, RETAINING
68	50760	2	RING, RETAINING-AXLE
70	51349	1	ARM, BRAKE
73	44855	1	ROTOR, BRAKE
80		79oz	20W-50 OIL
81	51939	1	SPACER, AXLE 1.04 X 1.65 X .22
82	51940	1	SPACER, AXLE 1.04 X 1.65 X .70
99	9005200-5600	1	PLUG, PLASTIC
100	50928	1	SEALANT
105	70561	1	KIT, BRAKE
		1	WASHER
		1	ARM, BRAKE
		1	ROTOR, BRAKE
		3	SCREW, 1/4-28 X 1.38 W/PATCH
		2	STATOR, BRAKE FRICTION
		1	PIN, COTTER 3/32 X 3/4
		2	PIN, BRAKE ACTUATING
		1	SPRING, COMPRESSION, ANTI DRAG
		1	KIT, YOKE-BRAKE
		1	NUT, SLOTTED HEX 5/16-24
107	70314	1	HUB ASSEMBLY
		1	HUB
		4	LUG BOLT
108	50863	1	NUT, HEX 3/4-16
110	70110	1	FITTING, O-RING ASSEMBLY
		1	PLASTIC HOSE FITTING
		1	O-RING
111	70921	1	CAP VENT ASSEMBLY
		1	CAP, PLASTIC
		1	VENT, PLASTIC
120	51173	1	PULLEY, 5.5"
123	51341	3	SCREW, 1/4-28 X 1.25 W/PATCH
126	51316	2	RING, RETAINING
127	51340	2	STATOR, BRAKE FRICTION
128	44101	1	PIN, COTTER 3/32 X 3/4
129	44127	2	PIN, BRAKE ACTUATING
130	50919	1	SPRING, COMPRESSION BRAKE, ANTI DRAG
131	70560	1	KIT, YOKE-BRAKE
		1	BOLT, SQ HD 5/16-24 RIBBED
		1	YOKE, BRAKE
133	44142	1	NUT, SLOTTED HEX 5/16-24

ITEM #	PART #	QTY	DESCRIPTION
134	70553	1	KIT, SEAL
		1	SEAL, LIP 15 X 35 X 7
		1	RING, RETAINING
		1	SEAL, LIP 12 X 25 X 7
		1	SEAL, LIP 10 X 25 X 7
		1	RING, RETAINING
		18	HFCS 1/4-20 X .75 ZINC
		1	SEAL, PLUG (1.86)
		1	RING, RETAINING
		1	RING, RETAINING .440 EXTERNAL
		1	SEAL, LIP 25 X 47 X 7
		1	RING, RETAINING
		2	RING, RETAINING
		2	RING, RETAINING
136	50307	1	FAN, 7", 10 BLADE
137	50259	1	SPACER
138	43177	3	WASHER, LOCK, 1/4 REGULAR
139	44276	3	BOLT, 1/4-20 X 1-1/2 W/PATCH
140	43178	3	NUT, HEX, 1/4-20NC
141	70418	1	KIT, FAN-PULLEY
		1	FAN, 7" 10 BLADE
		3	SPACER
		3	WASHER, LOCK 1/4 REGULAR
		3	BOLT, 1/4-20 X 1-1/2 W/PATCH
		3	NUT, HEX 1/4-20NC
		1	PULLEY, 5.5"
142	51813	1	WASHER, .39 X 1.27 X .05
143	51774	1	BRAKE CAP, PLASTIC
208	51400	1	SCREW, 5/16-24 X .75 (PATCH)
209	52401	1	SPRING, EXTENSION
215	52411	1	ASSEMBLY, RTN
216	70609	1	KIT, RTN
		1	WASHER
		1	NUT, LOCK 5/16-24 UNF
		1	SCREW, 5/16-24 X .75 (PATCH)
		1	SPRING, EXTENSION
		1	ARM, CONTROL
		1	ARM, RETURN
		1	ASSEMBLY, RTN



ECN #17499  
01/11/06 C. GOONAN

P5

ADDED NEW FRAME  
REV'D ITEM 35, P/N 50317  
TO P/N 52506  
REMOVED ITEM 204, P/N 51393,  
QTY 1, DESC ARM, RTN SCISSOR, OUTER  
REMOVED ITEM 205, P/N 51392,  
QTY 1, DESC ARM, RTN SCISSOR, INNER  
REMOVED ITEM 207, P/N 51604,  
QTY 1, DESC SPACER, RTN  
REV'D ITEM 215, P/N 51408,  
QTY 2, DESC WASHER, NYLON TO  
P/N 52411, QTY 1, DESC ASSEMBLY, RTN  
ECN #19696  
09/28/06 R. GAGNON