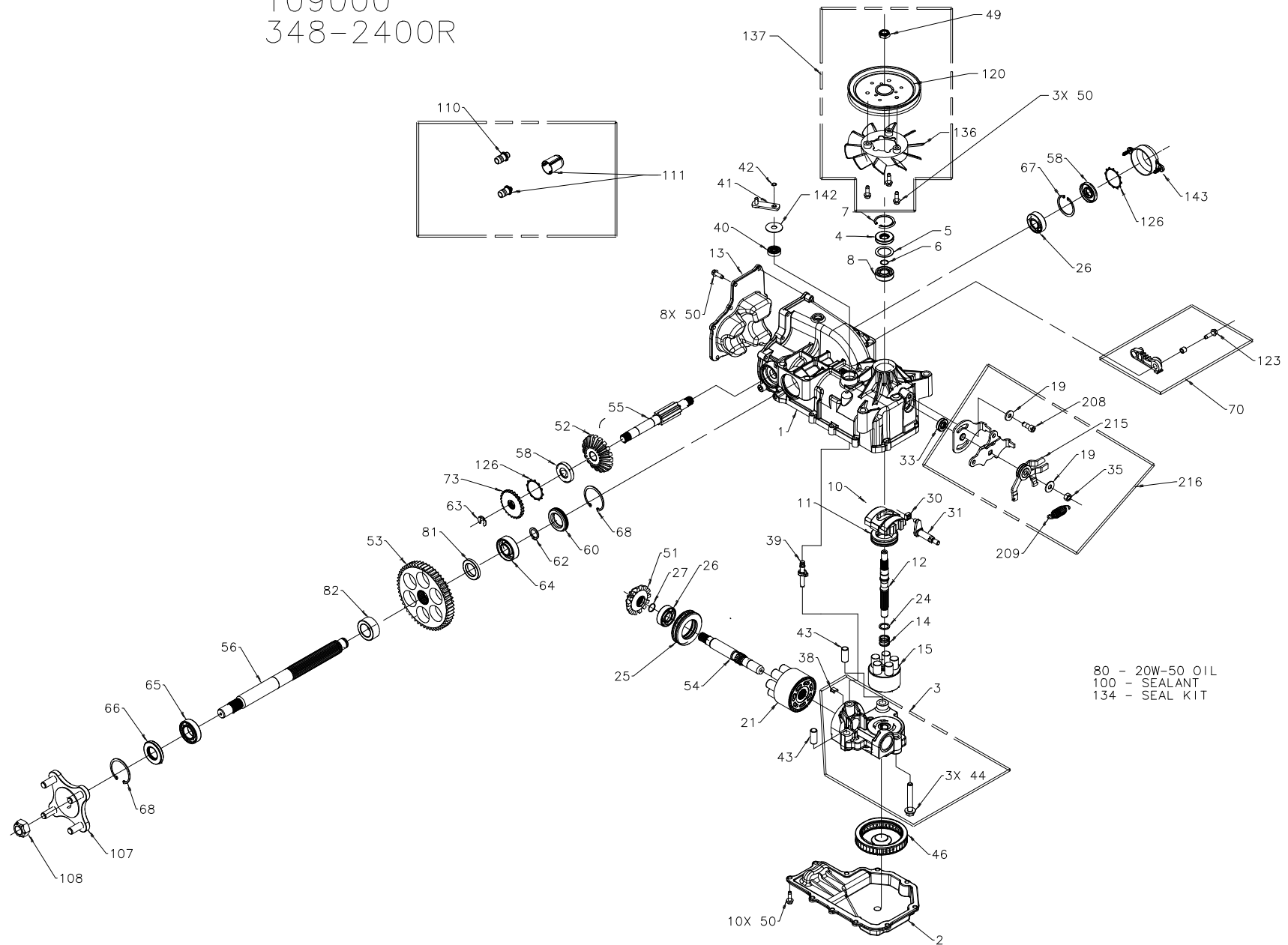


109000
348-2400R



80 - 20W-50 OIL
100 - SEALANT
134 - SEAL KIT

109000
348-2400R

ITEM#	PART#	QTY	DESCRIPTION
1	70627	1	KIT, HOUSING-MAIN
		1	HOUSING, MAIN
		2	CRADLE BEARING
		1	SEAL, LIP 12 X 25 X 7
		1	TRUNNION BUSHING
		1	SCREW, HFHC 1/4-28 X 7/8
2	50890RM	1	LOWER HOUSING
3	70667	1	KIT, CENTER SECTION
		1	CENTER SECTION
		1	BUSHING .67 X 1.03 X .75
		1	PLATE, BYPASS
		3	SCREW 3/8-24 X 2.5
		2	CHECK PLUG ASSEMBLY, .027
4	9008000-0128	1	LIP SEAL
5	2003018	1	SPACER
6	2003016	1	WIRE RETAINING RING
7	2003052	1	RETAINING RING
8	2003043	1	BALL BEARING
10	2003087	1	VARIABLE SWASHPLATE
11	50551	1	THRUST BEARING 30 X 52 X 13
12	50005	1	INPUT SHAFT
13	50891RM	1	COVER-BACK
14	2003014	1	SPRING, BLOCK
15	70331	1	10cc CYLINDER BLOCK ASS'Y
		1	10cc CYLINDER BLOCK
		5	10cc PISTON SPRING
		5	PISTON SEAT WASHER
		5	10cc PISTON
19	44130	2	WASHER
21	70082	1	21cc CYLINDER BLOCK ASS'Y
		1	21cc CYLINDER BLOCK
		7	21cc PISTON SPRING
		7	PISTON SEAT WASHER
		7	10cc PISTON
24	2003017	1	WASHER, BLOCK THRUST
25	50552	1	THRUST BEARING 42 X 68 X 16
26	50315	2	BALL BEARING
27	2000022	1	WIRE RETAINING RING
30	2000015	1	SLOT GUIDE
31	50807	1	TRUNNION ARM
33	9008000-0126	1	LIP SEAL
35	52506	1	NUT, LOCK, 5/16-24 UNF
38	70680	1	KIT, BYPASS PLATE
39	2003555	1	BYPASS ACTUATOR
40	45074	1	LIP SEAL
41	50270	1	BYPASS ARM
42	44870	1	RETAINING RING
43	50002	2	PIN
44	50016	3	SCREW
46	50990	1	FILTER
49	51244	1	HEX LOCK NUT, 1/2-20
50	50752	21	SCREW 1/4-20 X .75

ITEM#	PART#	QTY	DESCRIPTION
51	50744	1	14T BEVEL GEAR
52	50745	1	19T BEVEL GEAR
53	50746	1	53T SPUR GEAR
54	50757	1	MOTOR SHAFT
55	51298	1	BRAKE SHAFT
56	50748	1	AXLE SHAFT
58	51161	2	SEAL, LIP 70 X 40 X 7
60	50995	1	SEAL PLUG-SIDE
62	50759	1	RETAINING RING -AXLE
63	51109	1	RING, REATINING
64	50743	1	BEARING-BALL 20 X 47 X 14
65	50740	1	BEARING-BALL 25 X 47 X 12
66	50751	1	SEAL
67	50329	1	RETAINING RING
68	50760	2	RETAINING RING-AXLE
70	71088	1	RH BRAKE ARM SERVICE ASS'Y
		1	BRAKE ARM
		1	CLEVIS PIN
		1	BUSHING .255 X .381 X .330
		1	SCREW, HWHS 1/4-20 X 7/8
73	50754	1	BRAKE DISC
80		79oz	20W-50 OIL
81	51939	1	WASHER, AXLE 1.04X1.65X.22
82	51940	1	WASHER, AXLE 1.04X1.65X.70
100	50928	1	SEALANT
107	70314	1	HUB ASSEMBLY
		1	HUB
		4	STUD, HUB, 1/2-20
108	50863	1	NUT, HEX 3/4-16
110	70921	1	LARGE CAP VENT ASSEMBLY
		1	CAP, PLASTIC
		1	VENT, PLASTIC
11	70109	1	CAP VENT BREATHER ASS'Y
		1	CAP-POPPET VALVE
		1	PLASTIC VENT
120	51173	1	PULLEY, ø5.50 X 1.635
		1	HUB, PULLEY 1.635"
		1	DISC, PULLEY, ø5.50
123	51076	1	SCREW, HFHC 1/4-28 X 7/8
126	51316	2	RING, RETAINING
134	70553	1	KIT, SEAL
		1	SEAL, LIP 15 X 35 X 7
		1	RING, RETAINING
		1	SEAL, LIP 12 X 25 X 7
		1	SEAL, LIP 10 X 25 X 7
		1	RING, RETAINING
		2	SEAL, LIP 17 X 40 X 7
		1	SEAL, LIP 1.85 X .32
		1	RING, RETAINING
		1	RING RETAINING .440 EXTERNAL
		1	SEAL, LIP .98 X 1.85 X .276
		1	RING, RETAINING
		2	RING, RETAINING

ITEM#	PART#	QTY	DESCRIPTION
136	51365	2	RING, RETAINING
137	7061	1	FAN, 6 INCH
142	51813	1	KIT, FAN/PULLEY
143	51774	1	SPACER, RTN
208	51400	1	SCREW, 5/16-24 X .75
209	52401	1	SPRING, EXTENSION
215	52412	1	ASSEMBLY, RTN
216	70846	1	CAP, BRAKE
		1	KIT, RTN
		2	WASHER
		1	NUT, LOCK, 5/16-24 UNF
		1	SCREW, 5/16-24 X .75
		1	SPRING EXTENSION
		1	CONTROL ARM
		1	ARM RETURN
		1	ASSEMBLY, RTN

P5

ADDED NEW FRAME

REV'D ITEM 35, P/N 50317

TO P/N 52506

REMOVED ITEM 204, P/N 51393,
QTY 1, DESC ARM, RTN SCISSOR,
OUTER

REMOVED ITEM 205, P/N 51722,
QTY 1, DESC ARM, RTN SCISSOR,
INNER

REMOVED ITEM 207, P/N 51604,
QTY 1, DESC SPACER, RTN

REV'D ITEM 215, P/N 51408,
QTY 2, DESC WASHER, NYLON TO
P/N 52412, QTY 1,
DESC ASSEMBLY, RTN

ECN #19696

09/29/06 R. GAGNON