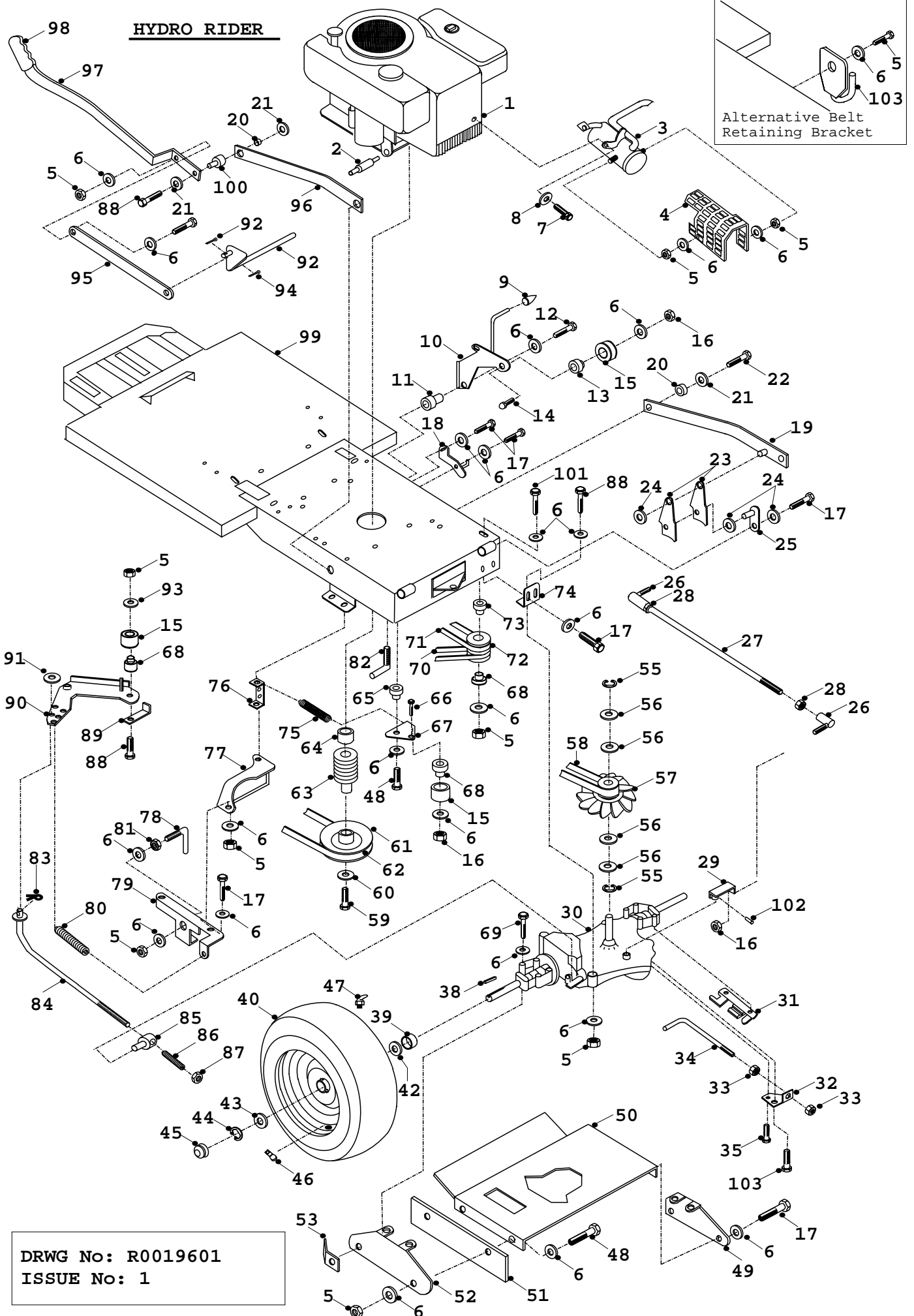


# HYDRO RIDER



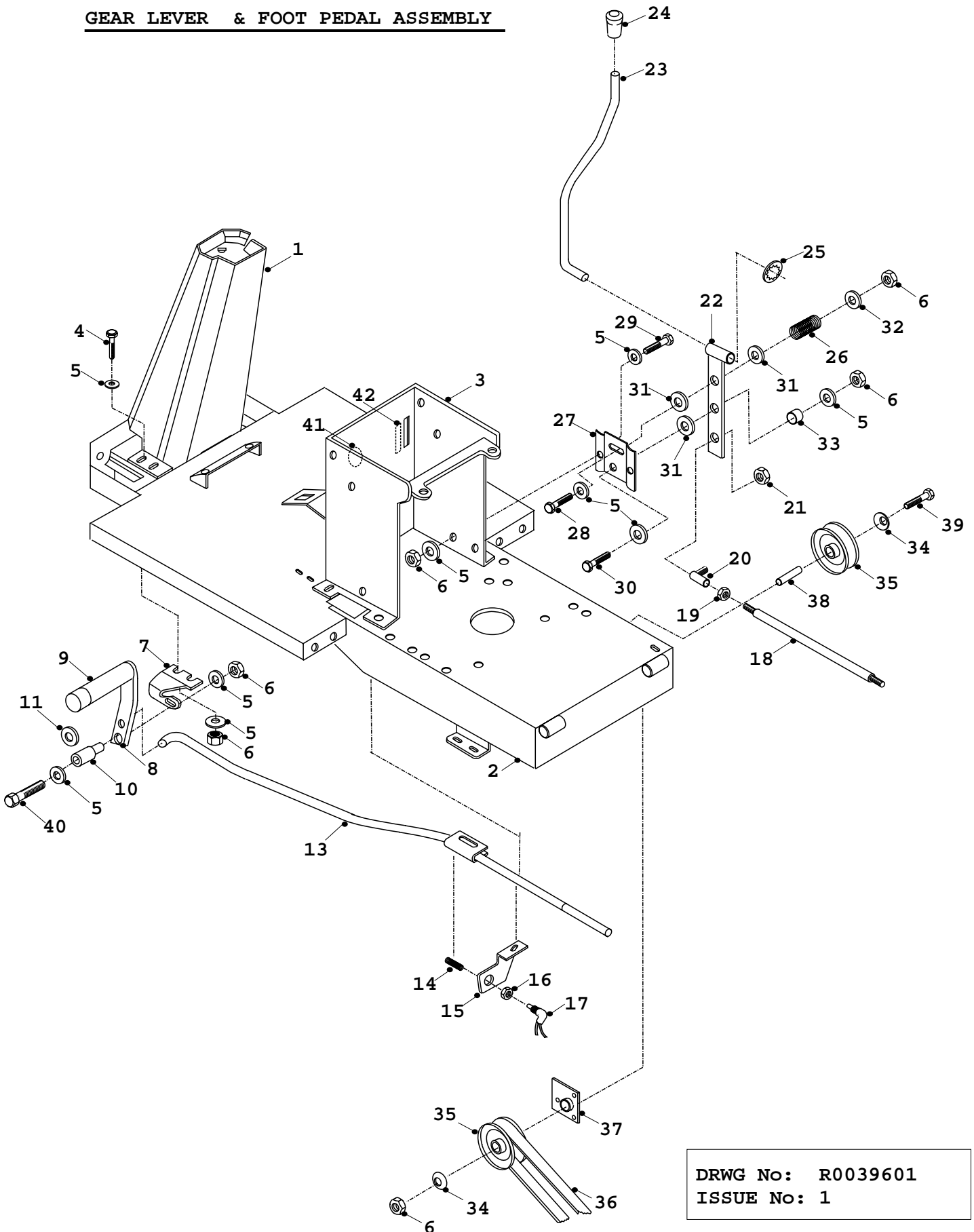
DRWG No: R0019601  
ISSUE No: 1

**RIDER '96  
HYDROSTATIC PARTS LIST**

1	Engine Briggs & Stratton 11.5hp	N / A
2	Oil Drain Valve	52851200
3	Exhaust	32722800
4	Heat Shield	30140900
5	Nyloc Nut 5/16" UNF	04827500
6	Washer T3 HP 5/16"	08819500
7	Engine Bolt	N / A
8	Engine Washer	N / A
9	Pear Tip Knob	14886900
10	Sweeper Engage	32721900
11	Sweeper Engage Lever Spacer	18321400
12	Bolt 5/16" UNF x 1.1/2"	01820700
13	Sweeper Engage Lever Pulley Spacer	18321600
14	Bolt Dome Head M8 x 40mm	01912800
15	Idler Pulley Plastic 2"	20880800
16	Nyloc Nut M8	04850600
17	Bolt 5/16" UNF x 3/4"	02827600
18	Sweeper Engage Clutch Pin <b>OBSOLETE SEE ITEM 103</b>	32725300
19	Sweeper Lift Link Arm R/H	32721700
20	Spacer 8mm x 12.7mm x 9mm	18302700
21	Washer 5/16" X 1 1/2"	08832000
22	Bolt 5/16" UNF x 1.1/4"	01820600
23	Lift Hook	30131400
24	Washer 1/2" x T3 LP	08822500
25	PTO Pivot End	32704800
26	Ball Joint M8	32879600
27	Speed Select Rod	31321900
28	Lock Nut M8	04822300
29	Speed Change Arm	32725400
30	Transaxle Tuff Torq K50	47902500
31	Dump Valve Plate	30133900
32	Dump Valve Arm Bracket	30133900
33	Nyloc Nut 1/4" UNC	04897500
34	Dump Valve Rod	18322800
35	Bolt M4 x 15mm	01917000
36	Nyloc Nut M4	04917100
37	Bolt M8 Taptite	01821000
38	Wheel Key 2" x 3/16" Square	09830700
39	Wheel Spacer	31324900
40	Rear Tyre	19843800
41	Rear Wheel <b>TECH BULLETIN R9.94</b>	32717700
42	`O' Ring <b>TECH BULLETIN R9.94</b>	24898700
43	Hub Cap Washer	30127800
44	`E' Clip 3/4" Diameter	07823200
45	Hub Cap	14811800
46	Valve	14889200
47	Grease Nipple 45° <b>TECH BULLETIN R9.94</b>	11898800
48	Bolt 5/16" UNF x 1"	02819600
49	Transaxle Deflector Side Plate R/H	30135300
50	Transaxle Deflector Plate	30138100
51	Transaxle Deflector Rubber	14887201
52	Transaxle Deflector Side Plate L/H	30134800

53	Transaxle Deflector Bracket	30134900
54	Transaxle Deflector Complete	40502500
55	Circlip 15mm	07917400
56	Washer to make 4mm Thickness	40502600
57	Pulley/Fan	40502100
58	Belt Dayco Super II A26	22905300
59	Bolt 7/16" UNF x 3"	01881300
60	Engine Pulley Cap	18312200
61	Pulley 5"	20869501
62	Belt Dayco Super II B48	22876402
63	Engine Pulley	18322600
64	Engine Pulley Spacer	31854000
65	Tension Plate Pivot	18322100
66	Allen Bolt M8 x 40mm CSK HD	01918500
67	P T O Tension Plate	30135000
68	Jockey Pulley Spacer	18831600
69	Bolt 5/16" UNF x 3"	01832300
70	Belt Dayco Super II A32	22905400
71	Belt XPZ x 750 <b>TECH BULLETIN R13.95</b>	22879800
72	Aluminium Pulley	18322500
73	Aluminium Pulley Top Spacer	18322300
74	Anti-Rotation Bracket	30141000
75	P T O Belt Tension Spring	25849600
76	Belt Tension Spring Bracket	30141100
77	Deck Belt Peg Plate	32725200
78	Belt Guide Pulley Peg	31324700
79	Peg Plate Support Bracket	30141200
80	Brake Return Spring	25812201
81	Lock Nut 5/16" UNF	04822200
82	Belt Guide Fan Peg	31323800
83	`R' Clip 2mm	07823700
84	Brake Rod	31320200
85	Brake Rod Trunnion	18326700
86	Brake Compression Spring	25808300
87	Nyloc Nut 3/8" UNF	04820200
88	Bolt 5/16" UNF x 2"	01820900
89	Belt Keeper (Small)	30132900
90	Clutch Plate	32725500
91	Washer 3/8" T3 HP	08820100
92	Split Pin 1/8" x 1"	07823300
93	Washer 5/16" T4 Auto	08819700
94	Sweeper Lift Pivot	32719400
95	Transport Linkage Bar	30205500
96	Sweeper Link Lift Arm L/H	32721800
97	Transport Lever	48205600
98	Transport Lever Handle	14832500
99	Chassis	32724500
100	Transport Lever Pivot	31325700
101	Bolt 5/16" UNF x 3.1/2"	01821700
102	Roll Pin 6mm	05916800
103	Sweeper Belt Retaining Bracket <b>REPLACES ITEM 18 (PART NO. 32-7253-00) FROM 02.05.95</b>	32727400

**GEAR LEVER & FOOT PEDAL ASSEMBLY**

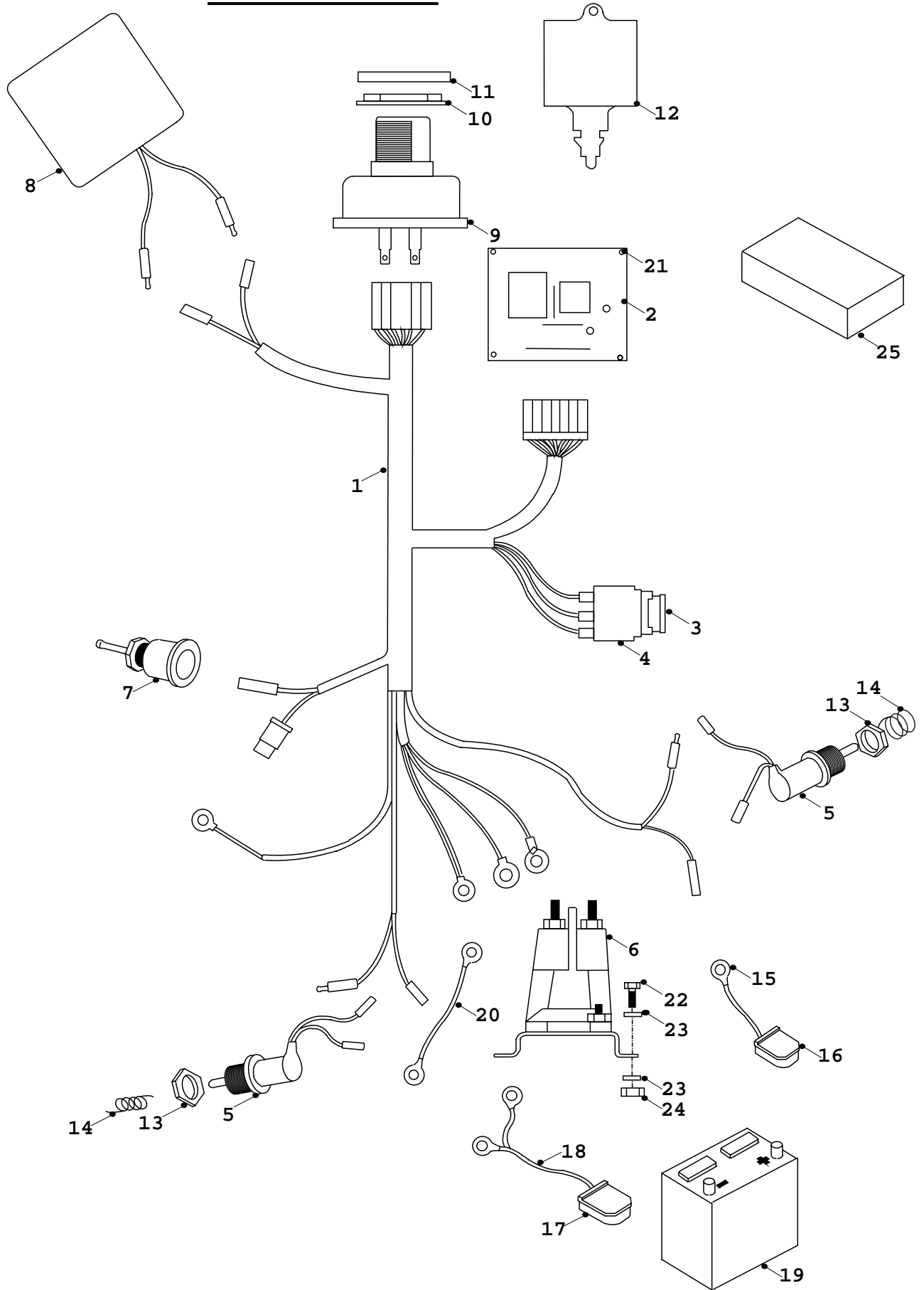


DRWG No: R0039601  
ISSUE No: 1

**RIDER '96  
GEAR LEVER & FOOT PEDAL ASSEMBLY**

1	Steering Console	32723400
2	Chassis	32724500
3	Seat Box	32723200
4	Bolt 5/16" UNF x 1"	02819600
5	Washer 5/16" T3 HP	08819500
6	Nyloc Nut 5/16" UNF	04827500
7	Pedal Support Plate	30135800
8	Brake Pedal	30205200
9	Pedal Rubber	14812100
10	Pedal Pivot Boss (Short)	18312600
11	Washer 3/8" T4 HP	08822800
12	Split Pin 1/8" x 1"	06823300
13	Clutch Rod	32718500
14	Safety Switch Spring	25813800
15	Safety Switch Bracket	32724600
16	Nut Fine Nylon M12	04859000
17	Safety Switch	44813400
18	Gear Selector Rod	18316600
19	Lock Nut M8	04822300
20	Ball Joint M8	32879600
21	Nyloc Nut M8	048506 00
22	Gear Lever (Lower)	32721500
23	Speed Control Lever	31324100
24	Lever Knob	14804800
25	Washer Starlock 1/2"	11906800
26	Gear Lever Spring	25906700
27	Gear Lever Bridge Plate	30139100
28	Bolt 5/16" UNF x 2"	01820900
29	Bolt 5/16" UNF x 3/4"	02827600
30	Bolt 5/16" UNF x 1.1/4"	01820600
31	Washer 5/16" x 1" HG	08819800
32	Washer 5/16" TS Auto	08827200
33	Spacer 8mm x 12.7mm x 7mm Long	31302800
34	Dome Washer 3/8" x 1.3/4" x 1/8"	08819900
35	Pulley Assembly 3" <b>TECH BULLETIN R17.95</b>	20870800
36	Belt Dayco Super II A47 <b>TECH BULLETIN R14.95</b>	22898000
37	P T O Bearing Assembly	40501000
38	P T O Shaft <b>TECH BULLETIN R16.95</b>	18312100
39	Bolt 5/16" UNF X 4"	01857100
40	Bolt 5/16" UNF x 2.1/4"	01821200

**RIDER WIRING LOOM**

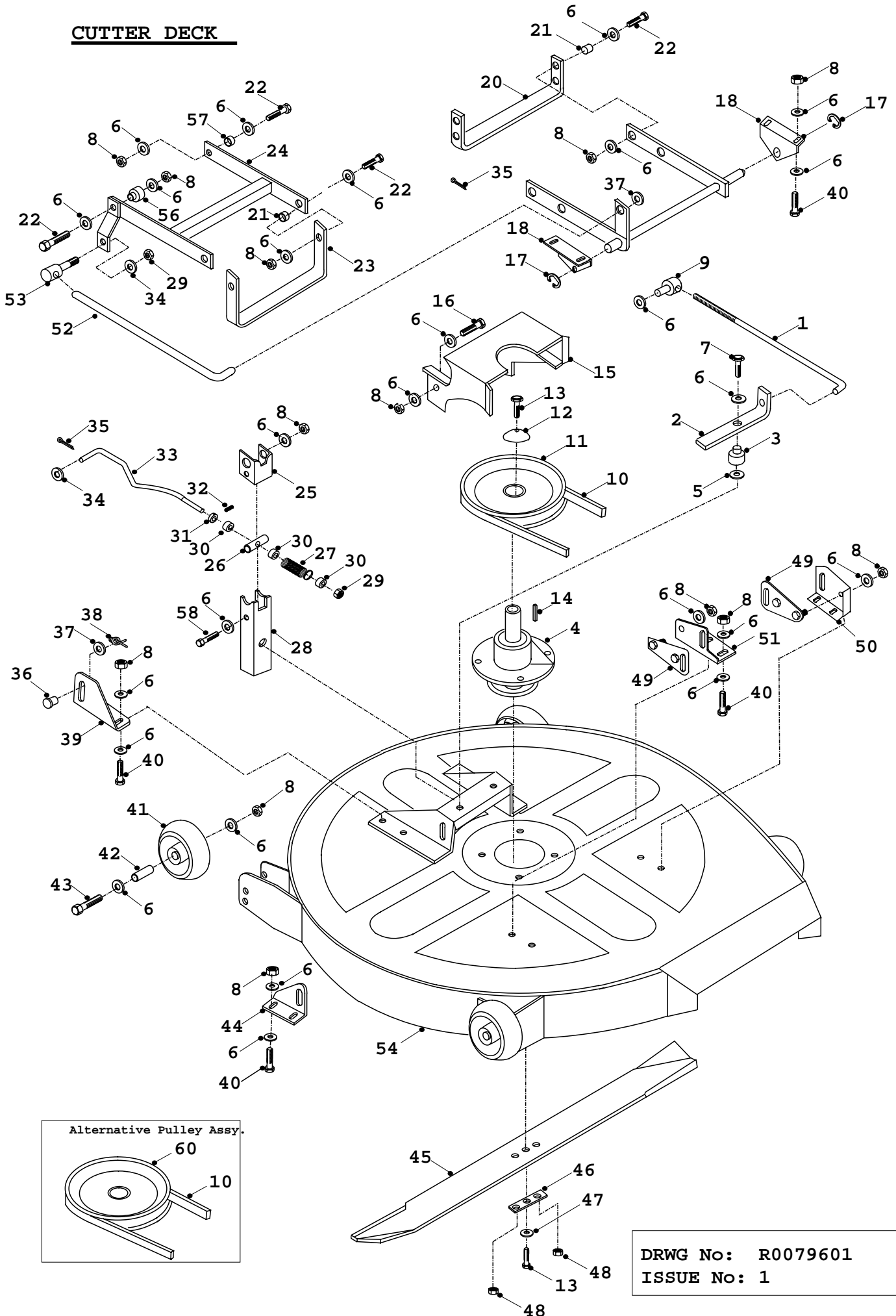


DRWG No: R0069601  
ISSUE No: 1

**RIDER '96  
ELECTRICAL PARTS LIST**

1	Wiring Loom	44899500
2	Printed Circuit Board	44881000
3	Fuse 10A	44889500
4	Fuse Block	13835100
5	Transmission Safety Switch	44813400
6	Solenoid	44814800
7	PTO Socket Optional	44815100
8	Seat Switch	44887900
9	Ignition Switch	44812900
10	Ignition Fixing Nut	52813200
11	Ignition Cap Bezel	52813100
12	Ignition Key	52813000
13	Nut M12 Fine Nylon	04859000
14	Safety Switch Spring	25813801
15	Red Lead Battery to Solenoid	44905600
16	Battery Connector (+) (Red)	44812700
17	Battery Connector (-) (Black or Blue)	44812800
18	Black Lead Battery to Chassis	44905700
19	Battery 12V	45814100
20	Solenoid to Starter Lead (Red)	44878100
21	Printed Circuit Board Support Peg	26818800
22	Bolt 1/4" UNF X 3/4"	02827700
23	Washer 1/4" T3LP	08827800
24	Nut 1/4" UNF Nyloc	04819400
25	Printed Circuit Board Cover	14851100

# CUTTER DECK



DRWG No: R0079601  
ISSUE No: 1

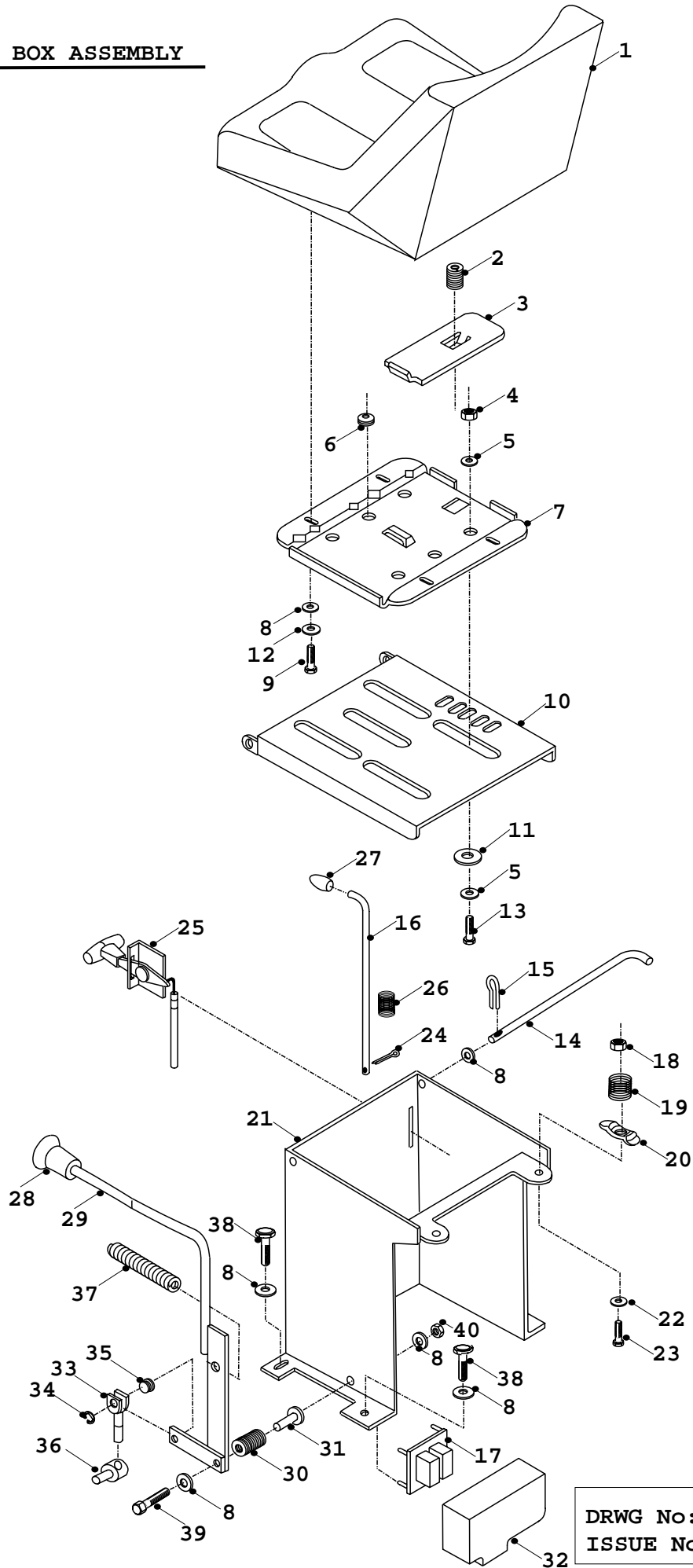


**RIDER '96  
CUTTER DECK PARTS LIST**

1	Deck Brake Rod	18320700
2	Deck Brake	30205800
3	Deck Brake Pivot	18313100
4	Deck Bearing Housing Kit	40500901
5	Washer 5/16" T5 Auto	08827200
6	Washer 5/16" T3 HP	08819500
7	Bolt 5/16" UNF x 1.1/2"	01820700
8	Nyloc Nut 5/16" UNF	04827500
9	Deck Brake Trunnion	18318000
10	Dayco Super II B48 <b>TECH BULLETIN R11.95</b>	22876400
11	Pulley 7" Deck Drive <b>SEE ITEM 60</b>	20870200
12	Dome Washer 3/8" x 1.3/4" x 1/8"	08819900
13	Bolt 3/8" UNF x 1.1/4"	02825300
14	Key 1/4" x 1/4" x 1"	09830600
15	Deck Belt Guard	30127200
16	Bolt 5/16" UNF X 3/4"	02827600
17	`E' Clip 5/8"	07823400
18	Deck Upper Rear Hanging Bracket	30127700
19	Deck Cradle Assembly (Rear)	32715500
20	Deck Lift Cradle (Rear)	30205900
21	Spacer 8 x 12.7 x 7 Long	31302800
22	Bolt 5/16" UNF x 1.1/4"	01820600
23	Deck Lift Cradle (Front)	30205100
24	Deck Carrying Assembly (Front)	32717300
25	Deck Engage Channel	30138300
26	Deck Engage Pivot Trunnion	31320300
27	Deck Engage Spring	25899900
28	Deck Engage Upright	30138400
29	Nyloc Nut 3/8" UNF	04820300
30	Deck Engage Rod Spacer	18325900
31	Deck Engage Spring Stop	31320400
32	Screw Socket Cap 5/16" Whit x 5/8"	02920400
33	Deck Engage Rod	31320500
34	Washer 3/8" T4 HP	08822800
35	Split Pin 1/8" x 1"	06823300
36	Deck Lift Pin	31337200
37	Washer 1/2" T3	08822500
38	`Rue' Clip	11836700
39	Front Deck Hanging Bracket L/H	30139500
40	Bolt 5/16" UNF x 1"	02819600
41	Anti Scalp Wheel	19808800
42	Scuff Wheel Hub	31337600
43	Bolt 5/16" UNF x 2 1/4"	01821200
44	Rear Deck Hanging Bracket L/H	30121400
45	30" Blade	16876600
46	Locking Tab Plate	301283 00
47	Washer 3/8" Shakeproof	08825500
48	M8 Locknut	04822300
49	Deck Adjustment Plate	30127400
50	Front Deck Hanging Bracket R/H	30139600
51	Rear Deck Hanging Bracket R/H	30139700
52	Deck Level Rod	18311900

53	Deck Level Tunnion	18311600
54	Deck Shell	32717201
55	Deck Complete	40501401
56	Front Deck Hanging Bracket Pivot	18321000
57	Spacer 8.5mm x 12.7mm x 20mm Long	31302500
58	Bolt 5/16" UNF x 3"	01832300
59	Deck Bridge Bracket	30141600
60	Deck Drive Pulley	32729000
61	Decal "Deck Danger"	35803300

SEAT BOX ASSEMBLY

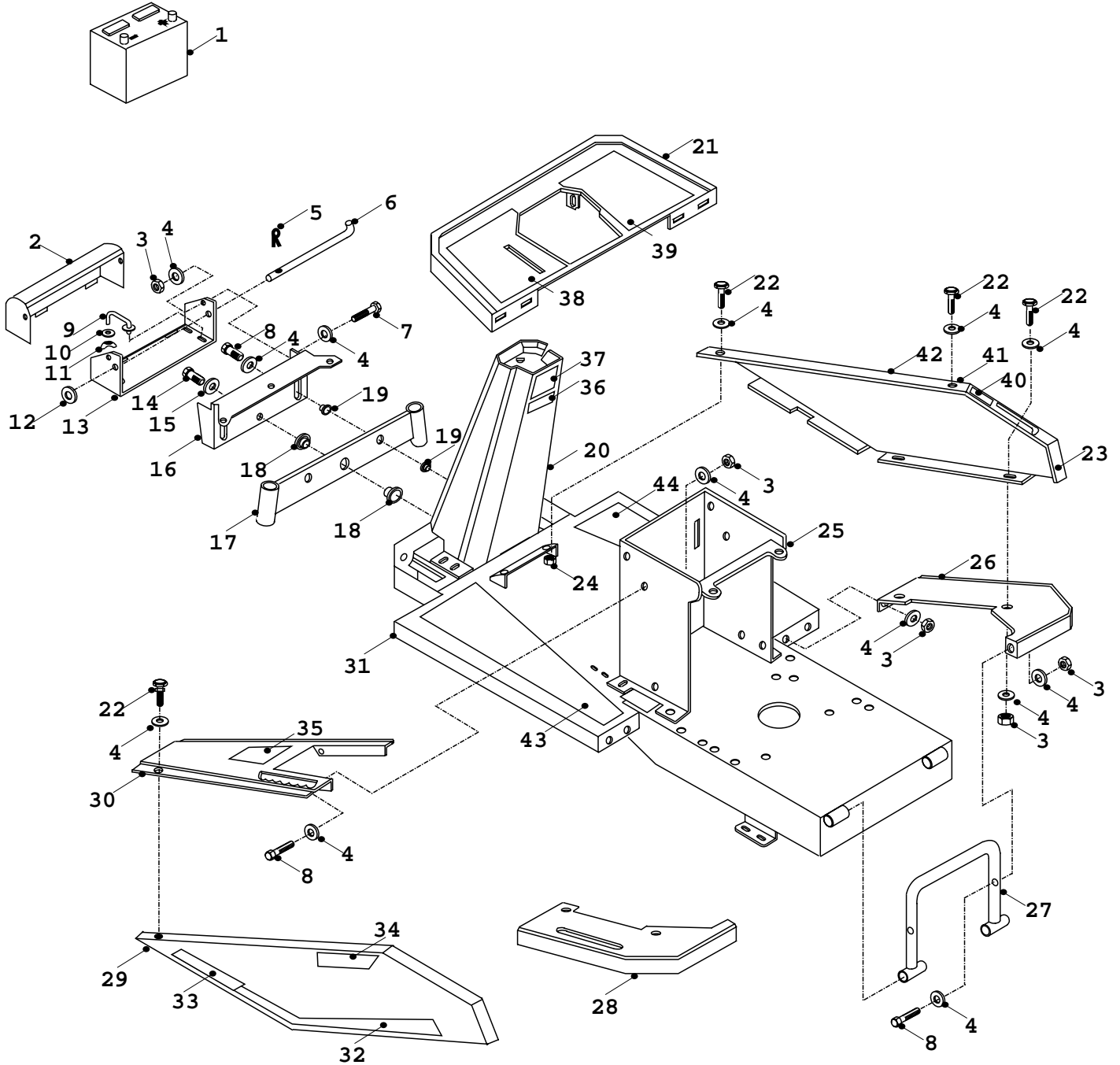


DRWG No: R0099601  
ISSUE No: 1

**RIDER '96  
SEAT BOX PARTS LIST**

1	Seat	14875900
2	Compression Spring Universal	25831100
3	Seat Adjust Lever	30125400
4	Nyloc Nut 1/4" UNF	04819400
5	Washer 1/4" T3 LP	08827800
6	Grommet 5/8" Open	52849200
7	Seat Adjust Plate - Upper	30125500
8	Washer 5/16" T3 HP	08819500
9	Set Screw M8 x 20mm	02825900
10	Seat Adjust Plate - Lower	30125600
11	Washer 5/16" x 30mm x 3mm	08125800
12	Washer Starlock Internal 5/16"	08823500
13	Bolt 1/4" UNF x 1/2"	02827400
14	Seat Rod	18315800
15	`R` Clip 2mm	07823700
16	Park Brake Rod	31315900
17	P C Board	44881000
18	Nyloc Nut `P` Type 3/8" UNF	04820200
19	Seat Spring	25858100
20	Spring Retaining Washer (Seat)	27835400
21	Seat Box	32723200
22	Washer 3/8" T3 HP	08820100
23	Bolt 3/8" UNF x 3/4"	01874500
24	Split Pin 7/16" x 1/8"	06849000
25	Throttle Control	52880400
26	Brake Park Spring	25805000
27	Pear Tip Knob	14886900
28	Lever Knob	14804800
29	Deck Height Lever	32721600
30	Lever Spring	25906700
31	Deck Height Lever Pivot	18323700
32	P C B Cover	14851100
33	Deck Height Yoke	32722100
34	Circlip 3/8" External	07846800
35	Clevis Pin	31340800
36	Deck Height Trunnion	18311700
37	Deck Assist Spring	25885300
38	Set Screw 5/16" UNF x 1"	02819600
39	Bolt 5/16" UNF x 2"	01820900
41	Decal "P"	04827500
42	Decal "Throttle"	35907700
		35900800

**BODYWORK ASSEMBLY**

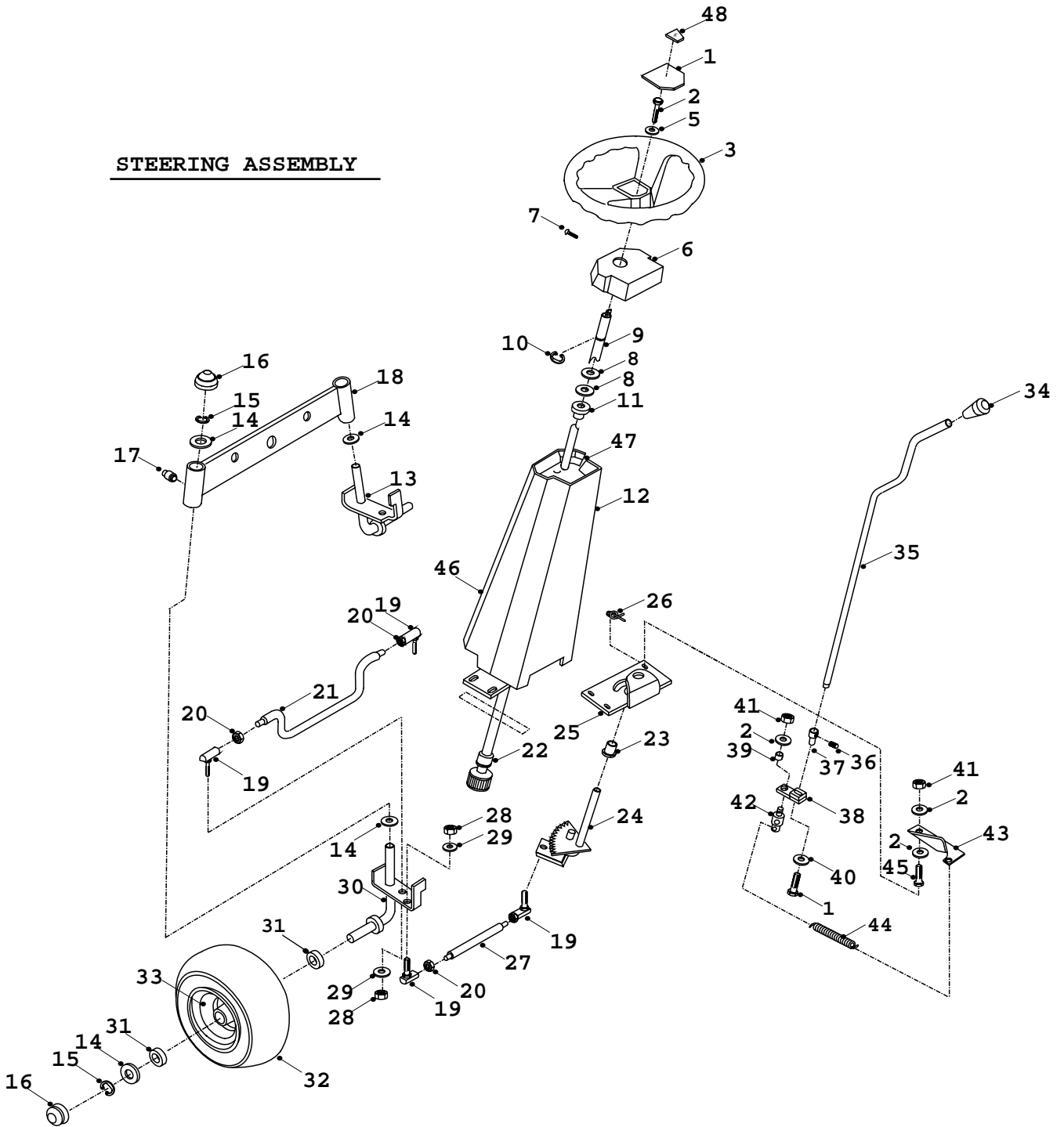


DRWG No: R0109601  
ISSUE No: 1

**RIDER '96  
MANUAL BODYWORK ASSEMBLY**

1	Battery	TECH BULLETIN 09.91	45814100
2	Battery Cover		30140100
3	Nyloc Nut	5/16" UNF	04827500
4	Washer	5/16" T4 HP	08819700
5	`R` Clip	2mm	07823700
6	Battery Rod		31323600
7	Bolt	5/16" UNF x 3/4"	02827600
8	Bolt	5/16" UNF x 1.1/2"	01820700
9	Battery Retainer		31800300
10	Washer	1/4" T3 LP	08827800
11	Wing Nut	1/4" UNC	04822600
12	Washer	5/16" T3 HP	08819500
13	Battery Tray		30140200
14	Bolt	3/8" UNF x 2"	02821300
15	Washer	3/8" T3 HP	08820100
16	Front Axle Plate		30129900
17	Front Axle		32716900
18	Axle Pivot Boss		18317500
19	Axle Limit Boss		18316100
20	Steering Console Assembly		32716600
21	Front Panel		32717900
22	Screw Head Bolt	M8 x 20mm	01886200
23	Side Panel	R/H	30140300
24	M8 Captive Nut		04825800
25	Seat Box		32723200
26	Rear Panel	R/H	32724900
27	Lift Hoop		32725000
28	Rear Panel	L/H	32724800
29	Side Panel	L/H	30140400
30	Centre Panel		30140500
31	Chassis		32724500
32	Manual Side Stripe	R/H	35882200
	Manual Side Stripe	L/H	35882100
33	Countax Badge		35803400
34	Decal	"Deck Height"	35907200
35	Decal	"Instruction" Manual	35887600
36	Decal	"100 DB"	35809700
37	Decal	"CE"	35912000
38	Front Mat	L/H	35918100
39	Front Mat	R/H	35918200
40	Decal	"Engage / Disengage"	35852700
41	Decal	"Ignition Switch"	35907100
42	Decal Manual	"Gear Select"	35882300
43	Side Mat	L/H	35918300
44	Side Mat	R/H	35918400
45	Complete Decal Set	Manual	40502400
46	Complete Mat Set		14877900

**STEERING ASSEMBLY**

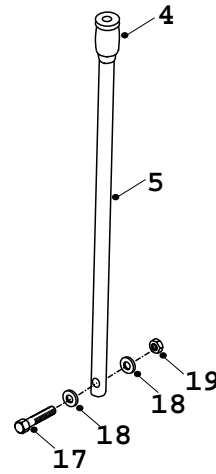
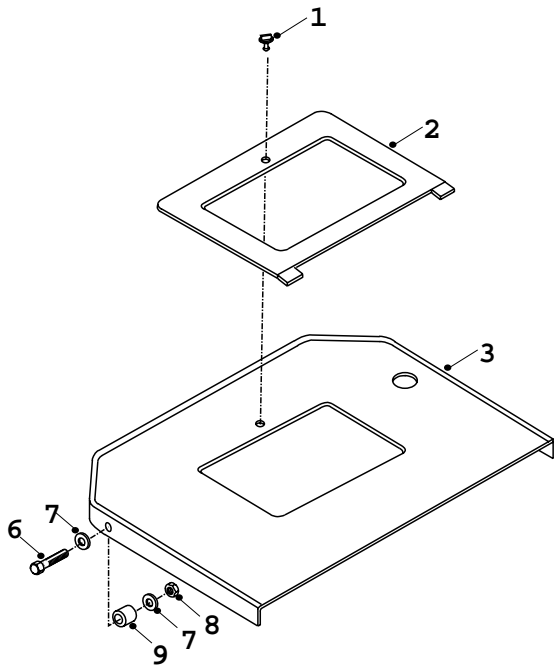


DRWG No: R0119601  
ISSUE No: 1

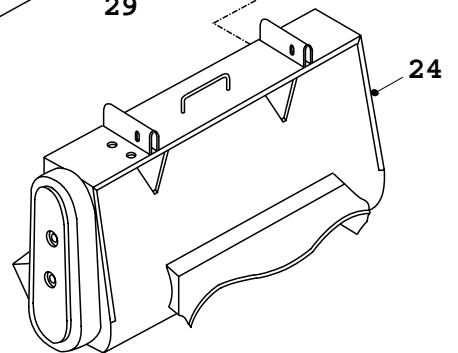
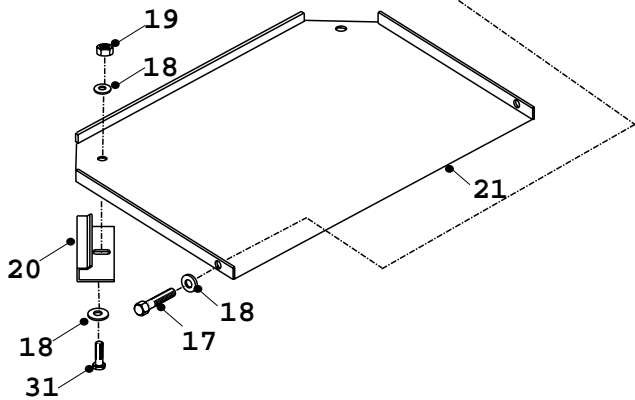
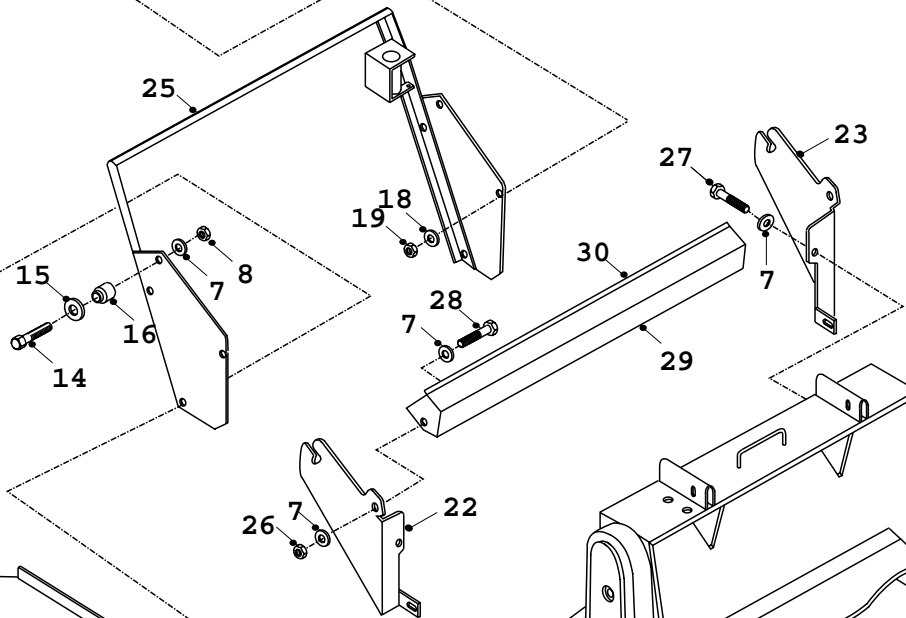
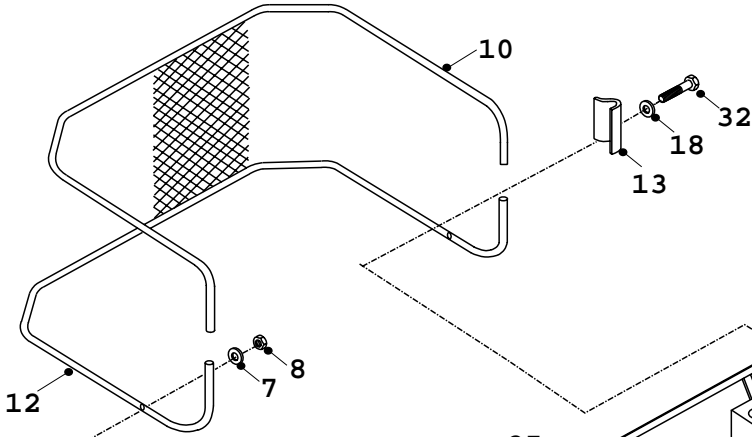
**RIDER '96  
STEERING PARTS LIST**

1	Steering Wheel Cap	14875700
2	Set Screw 5/16" UNF x 3/4"	02827600
3	Steering Wheel	35853700
4	Countax Badge	35853700
5	Washer 5/16" T3 HP	08819500
6	Plastic Console	14875800
7	Pop Rivet 4mm Black	12824100
8	Washer 5/8" T3 HP	08822700
9	Steering Column <b>TECH BULLETIN R7.94</b>	32723300
01	`E` Clip 5/8"	07823400
11	Nylon Bush	14801800
12	Steering Console	32723400
13	Stub Axle R/H <b>TECH BULLETIN R7.94</b>	32716700
14	Washer 3/4" x 1.1/4" O D LP	08823000
15	`E` Clip 3/4"	07823200
16	Hub Cap	14811800
17	Grease Nipple	11808600
18	Front Axle <b>TECH BULLETIN R7.94</b>	32716900
19	Ball Joint 10mm	10883100
20	Lock Nut M10	04872100
21	Track Rod	25876101
22	Sintered Bush 7.36mm <b>TECH BULLETIN R7.94</b>	18341100
23	Sintered Bush 2.36mm <b>TECH BULLETIN R7.94</b>	18341000
24	Steering Quadrant <b>TECH BULLETIN R7.94</b>	32723600
25	Steering Adjustment Plate	30136900
26	`Rue` Clip	11836700
27	Steering Link Rod	25876200
28	Nyloc Nut M10	04886100
29	Washer 3/8" T3 HP	08820100
30	Stub Axle L/H	32716800
31	Wheel Bearing	10880000
32	Mantel Vorderrad	06-19-8772-00
33	Felge Vorderrad	06-32-7171-00
	Vorderrad komplett	06-40-5033-00
34	Lever Knob	14804800
35	Deck Engage Lever	31319600
36	Screw Socket Cap 5/16" Whit x 5/8"	02902400
37	Deck Engage Lever Locking Collar	18324600
38	Deck Engage Plate	32723700
39	Spacer	31302800
40	Washer 5/16" T4 Auto	08827200
41	Nyloc Nut 5/16" UNF	04827500
42	Deck Engage Trunnion	31320000
43	Deck Engage Spring Plate	30137600
44	Deck Engage Spring	25805200
45	Set Screw 5/16" UNF x 1"	02819600
46	Decal "30"	35882600
47	Decal "Engage / Disengage"	35852700
48	"C" Badge	35929300





**POWERED GRASS COLLECTOR BOX**

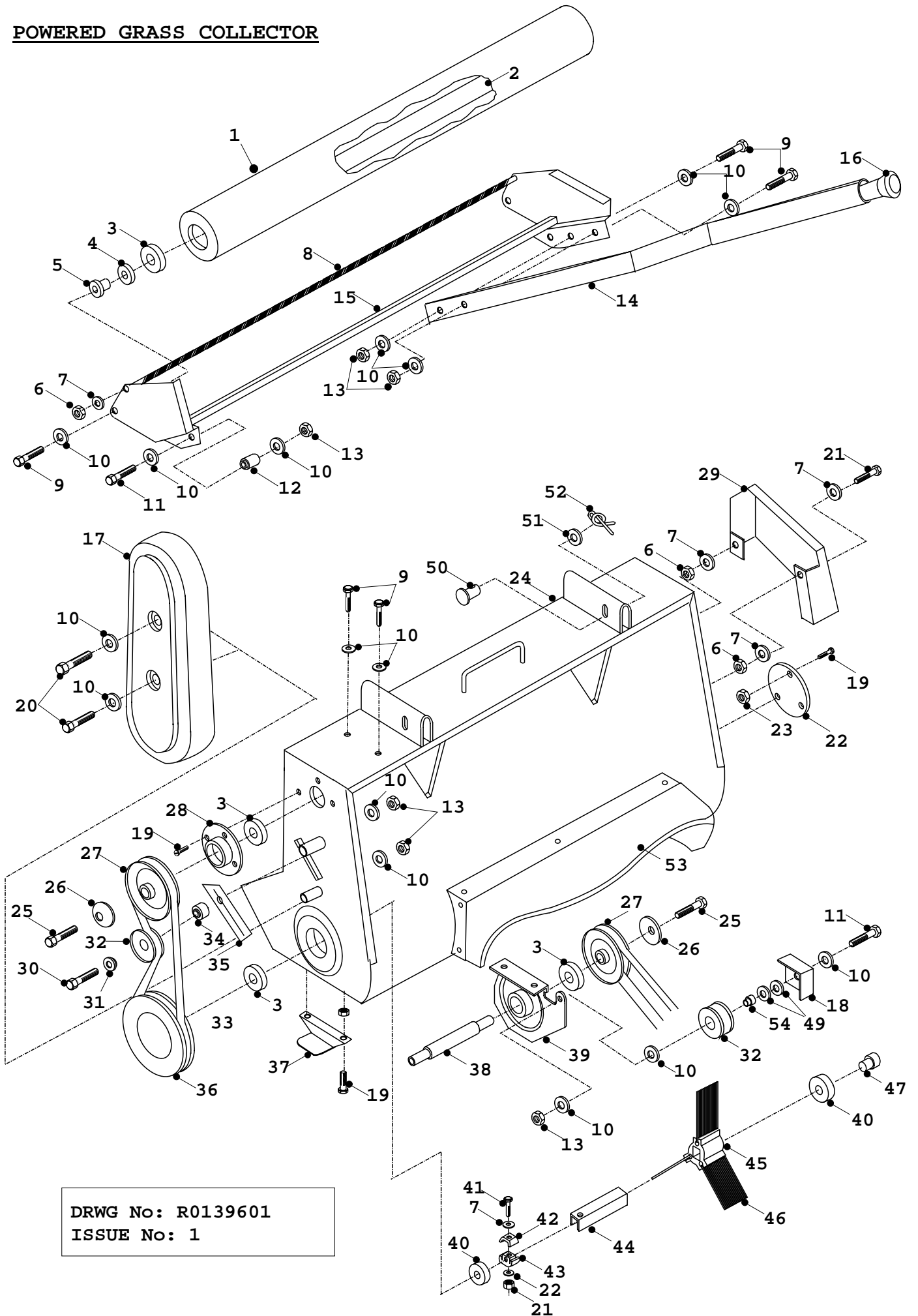


DRWG No: R0129601  
 ISSUE No: 1

**RIDER '96**  
**POWERED GRASS COLLECTOR NET**

1	Window Latch Knob	52903000
2	Window hatch Assembly	40504300
3	Sweeper Bag Top	32716500
4	Plastic Grip (Tipping Handle)	14873300
5	Tipping handle	48402800
6	Bolt 5/16"UNF X 1 3/4"	01820800
7	Washer 5/16" T3 HP	08819500
8	Nut 5/16" Nyloc	04827500
9	Spacer 8 X 12.7 X 17mm	48309100
10	Bag Frame (Top)	17403600
11	Bag Net	52877800
12	Bag frame (Bottom)	17403700
13	Bag Frame Clamping Plate	32122300
14	Bolt 5/16"UNF X 2 1/2"	01821100
15	Washer 5/16" X 1 1/2"	08832000
16	Bag Pivot	31303100
17	Bolt 1/4"UNF X 1 1/2"	01820500
18	Washer 1/4" T3 LP	08827500
19	Nut 1/4" UNF Nyloc	04819400
20	Bag Floor Clamping Plate	32122500
21	Sweeper Bag Floor	32126300
22	R/H Bag Ear	30126400
23	L/H Bag Ear	30126500
24	Sweeper Body	32720800
25	Goal Post Assembly	32713700
26	Nut M8 Nyloc	04850600
27	Bolt 5/16"UNF X 3/4"	02827600
28	Bolt M8 X 20 mm Screw Head	02825900
29	Sweeper Sealing Assy	32717400
30	Rubber Strip	14805100
31	Bolt 1/4" UNF X 3/4"	02827700
32	Bolt M6 X 40mm Screw Head	02901000

**POWERED GRASS COLLECTOR**



DRWG No: R0139601  
ISSUE No: 1

**RIDER '96  
POWERED GRASS COLLECTOR BODY**

1	Roller	32704600
2	Roller Shaft	31300800
3	Bearing (6203ZZ) <b>TECH BULLETIN R15.95</b>	10845500
4	Washer 7/16" id X 7/8" od	08832100
5	Roller Shaft Bush	31350700
6	Nut 1/4" Nyloc	04819400
7	Washer 1/4" T3 LP	08827800
8	Wire Scraper	52830900
9	Bolt 5/16"UNF X 3/4"	02827600
10	Washer 5/16" T4 LP	08819700
11	Bolt 5/16"UNF X 1 1/2"	01820700
12	Roller Plate Bush	31350600
13	Nut 5/16" UNF Nyloc	04827500
14	Height Adjuster Handle (Sweeper)	32725700
15	Roller Housing	32716300
16	Lever Knob	14804800
17	Plastic Pulley Cover	14880200
18	Belt Guard	30134000
19	Screw 2BA X 1/2" Pozi Pan	02821800
20	Bolt 5/16"UNF X 2 1/2"	01821100
21	Mutter 1/4"	06-04-8194-00
22	Sweeper Bearing Cap	30117500
23	Nut 2BA Nyloc	04821900
24	Sweeper Body	32720800
25	Bolt 3/8" UNF X 3/4"	01874500
26	Washer 3/8" ID X 1 3/4 OD X 1/8"	08819900
27	Pulley 3" <b>TECH BULLETIN R17.95</b>	20870801
28	Bearing Housing 17mm	27106600
29	Height Adjuster Guard	30125900
30	Bolt 5/16" UNF X 2"	01820900
31	Sweeper Jockey Cap	31351100
32	Idler Pulley (2" Plastic)	20880800
33	Belt SPZ762	22879900
34	Sweeper Jockey Spacer	31350400
35	Cover Plate	30126000
36	Pulley Assembly 5" Short	32709100
37	Pulley Cover Plate	30126100
38	Sweeper Idler Shaft	18309800
39	Idler Shaft Bearing Plate	30134100
40	Slinger	32121800
41	Bolt 1/4"UNF X 1 3/4"	01832400
42	Brush Drive Moulding Top	14834100
43	Brush Drive Moulding Bottom	14832900
44	Brush Stock	17404300
45	Bristle Boss	14833000
46	Short Bristle Insert	14879700
47	Brush Stock Spindle Short	31350100
48	Belt Dayco Super II A47 <b>TECH BULLETIN R14.95</b>	22898000
49	Washer 5/16" T5 Auto	08827200
50	Deck Lift Pin	31336800
51	Washer 1/2" T3 HP	08822500
52	Rue Clip	11836700

53	Rubber Flap	14914701
54	Jockey Pulley Spacer	18831600
55	Complete Brush Assembly (Not Illustrated)	40501500