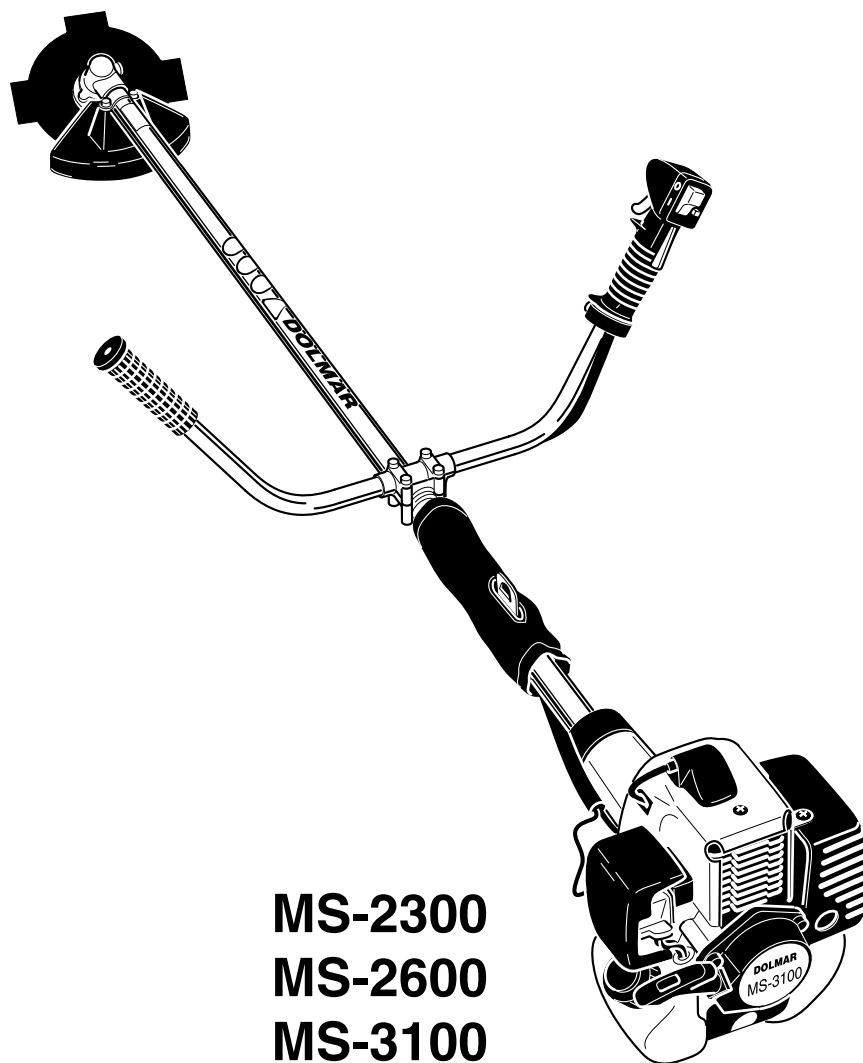


Ersatzteilliste

Spare Parts List

7/97

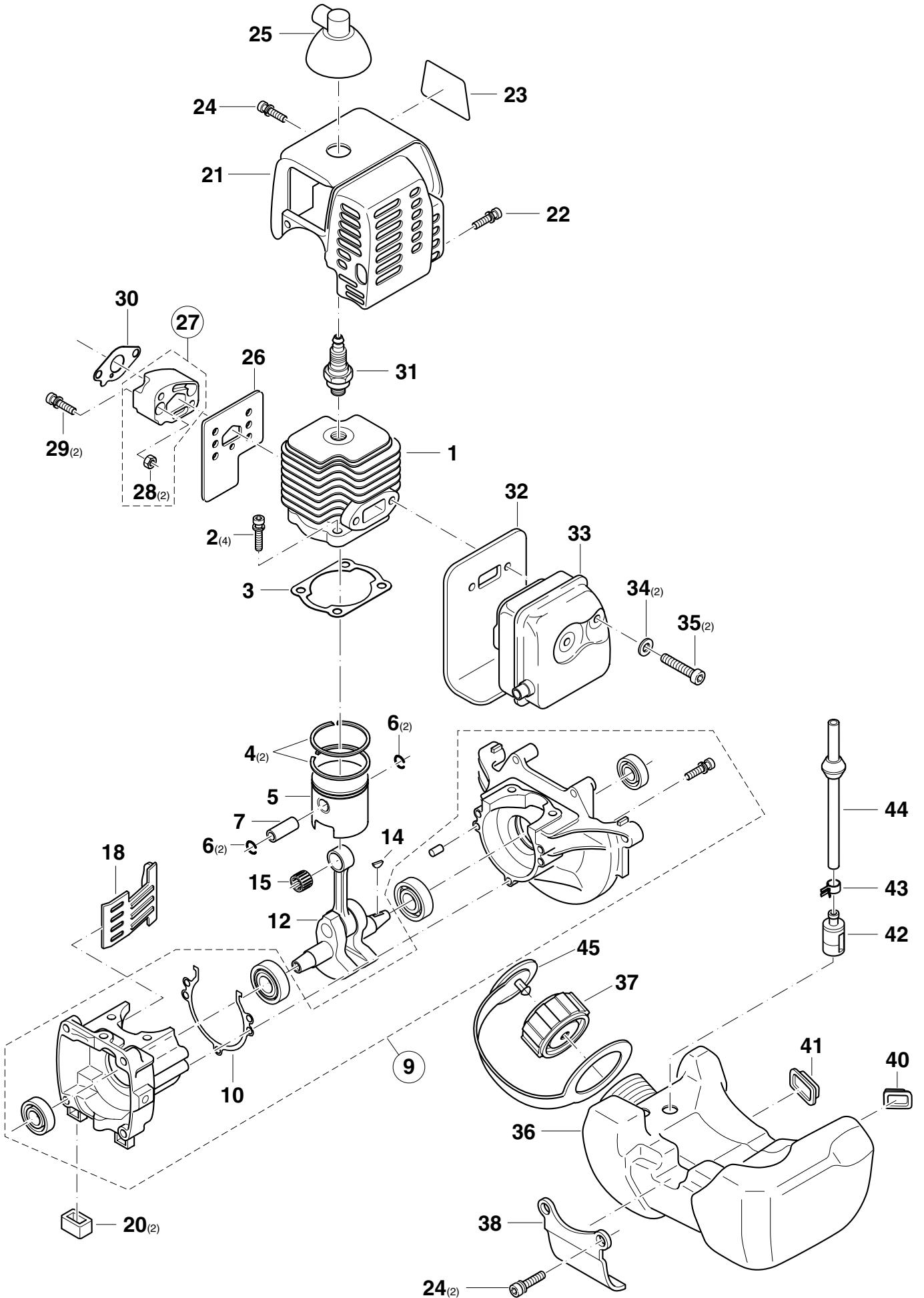


MS-2300
MS-2600
MS-3100

DOLMAR



995 700 178 (D, GB)

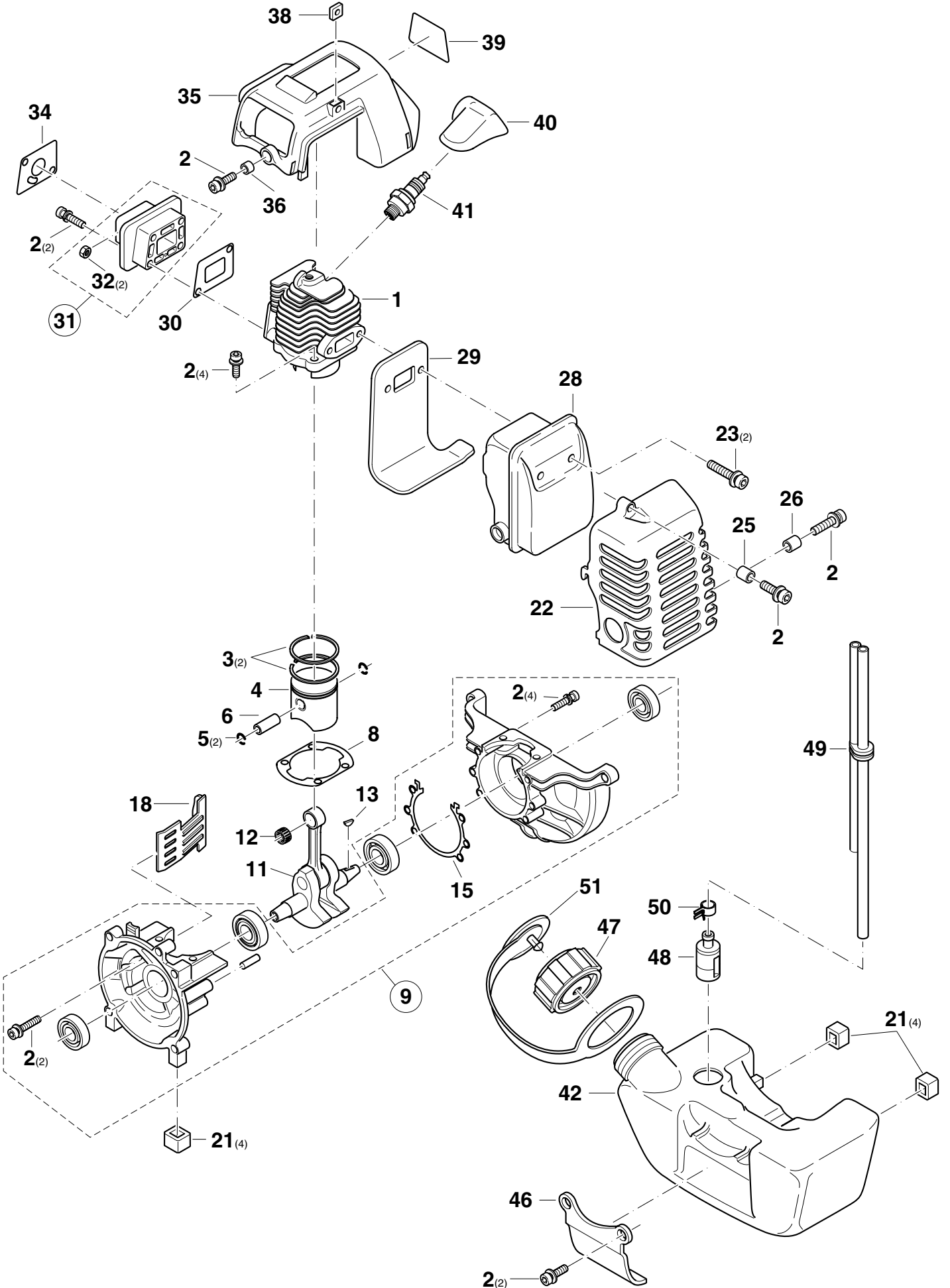




2

Zylinder, Kurbeltrieb, Auspufftopf, Tank
Cylinder, crankshaft, muffler, tank

| Pos. | Anz. Qty. | | | Teil-Nr. Part No. | Hinweise Notes | Benennung | Description |
|------|-----------|---------|---------|-------------------|----------------|--------------------|---------------------|
| | MS-2300 | MS-2600 | MS-3100 | | | | |
| 1 | 1 | | | 381 150 000 | | Zylinder | Cylinder |
| 2 | 4 | | | 381 905 995 | | Schraube M5x18 | Screw |
| 3 | 1 | | | 381 150 130 | | Dichtung | Gasket |
| 4 | 2 | | | 381 250 100 | | Kolbenring | Piston ring |
| 5 | 1 | | | 381 250 020 | | Kolben | Piston |
| 6 | 2 | | | 381 508 998 | | Sprengring | Spring ring |
| 7 | 1 | | | 381 250 010 | | Kolbenbolzen | Piston pin |
| 9 | 1 | | | 381 100 300 | | Kurbelgehäuse kpl. | Crankcase assy. |
| 10 | 1 | | | 381 150 040 | | Dichtung | Gasket |
| 12 | 1 | | | 381 200 300 | | Kurbelwelle kpl. | Crankshaft assy. |
| 14 | 1 | | | 381 320 310 | | Scheibefeder | Key |
| 15 | 1 | | | 381 008 999 | | Nadelkäfig | Needle cage |
| 18 | 1 | | | 381 550 000 | | Schutz | Protection |
| 20 | 2 | | | 381 650 025 | | Dämpfer | Damper |
| 21 | 1 | | | 381 550 420 | | Abdeckhaube | Hood |
| 22 | 1 | | | 381 005 999 | | Schraube | Screw |
| 23 | 1 | | | 381 951 280 | | Schild | Label |
| 24 | 3 | | | 381 360 518 | | Schraube | Screw |
| 25 | 1 | | | 381 750 310 | | Zündkerzenstecker | Spark plug cap |
| 26 | 1 | | | 381 350 025 | | Dichtung | Gasket |
| 27 | 1 | | | 381 301 400 | | Zwischenflansch | Intermediate flange |
| 28 | 2 | | | 381 270 500 | | Mutter M5 | Nut |
| 29 | 2 | | | 381 005 968 | | Schraube M5x25 | Screw |
| 30 | 1 | | | 381 350 280 | | Dichtung | Gasket |
| 31 | 1 | | | 381 014 981 | | Zündkerze | Spark plug |
| 32 | 1 | | | 381 350 020 | | Dichtung | Gasket |
| 33 | 1 | | | 381 301 700 | | Auspufftopf | Muffler |
| 34 | 2 | | | 381 100 500 | | Scheibe | Washer |
| 35 | 2 | | | 381 905 975 | => | Schraube M5x45 | Screw |
| 35 | 2 | | | 991 105 451 | =< | Schraube M5x45 | Screw |
| 36 | 1 | | | 381 650 290 | | Tank | Tank |
| 37 | 1 | | | 381 600 200 | => | Tankverschluß | Tank cap, fuel |
| 37 | 1 | | | 377 601 400 | =< | Tankverschluß | Tank cap, fuel |
| 38 | 1 | | | 381 650 035 | | Tankplatte | Fuel tank plate |
| 40 | 1 | | | 381 650 030 | | Platte | Plate |
| 41 | 1 | | | 381 650 020 | | Platte | Plate |
| 42 | 1 | | | 382 650 390 | | Saugkopf | Suction head |
| 43 | 1 | | | 381 105 999 | | Schlauchklemme | Hose clamp |
| 44 | 1 | | | 381 117 999 | | Schlauch | Tube |
| 45 | 1 | | | 377 502 100 | | Verliersicherung | Strap unit |

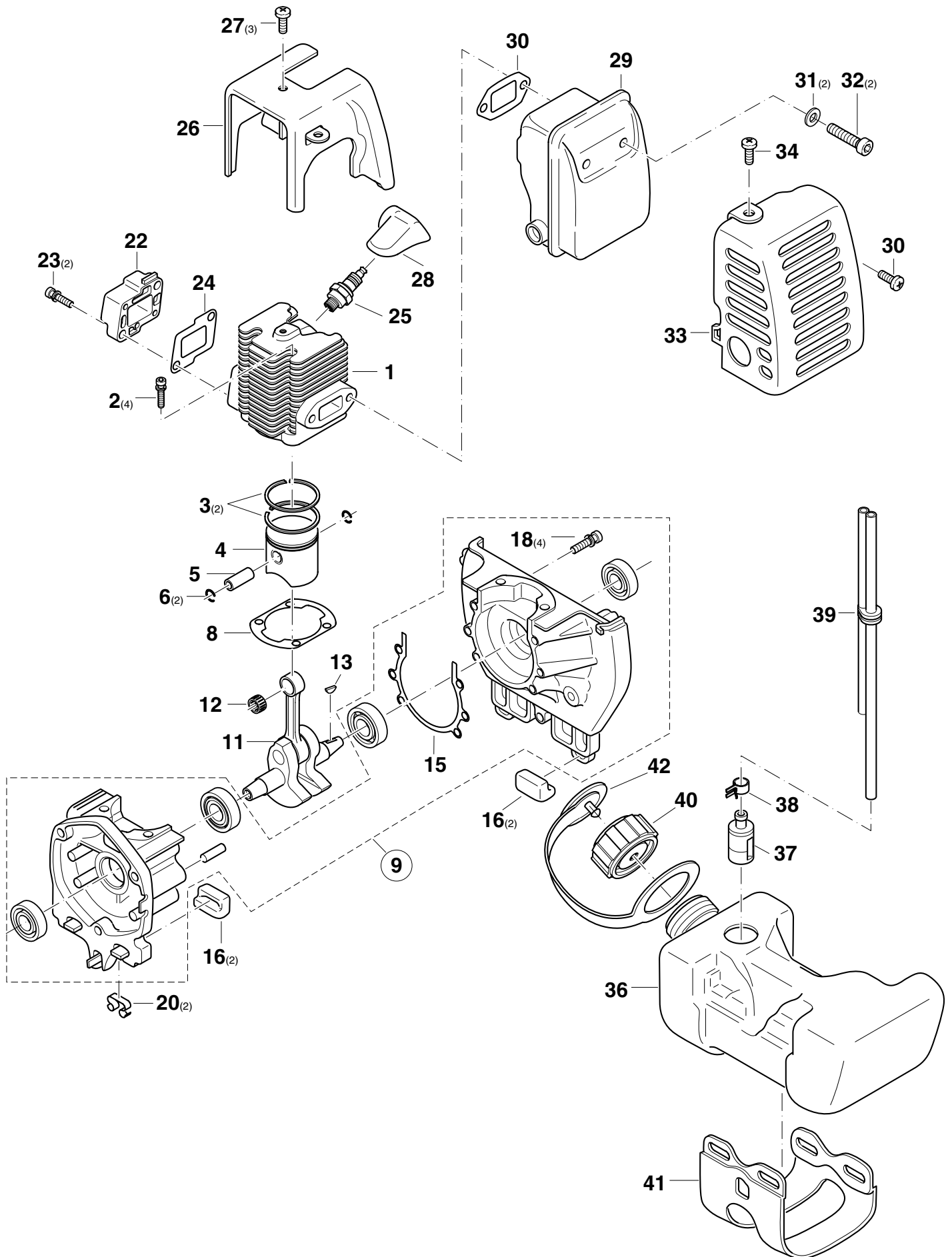




3

Zylinder, Kurbeltrieb, Auspufftopf, Tank
Cylinder, crankshaft, muffler, tank

| Pos. | MS-2300 MS-2600 MS-3100 | | | Teil-Nr. Part No. | Hinweise Notes | Benennung | Description |
|------|-------------------------------|--|--|----------------------|-------------------|--------------------|---------------------|
| | Anz. Qty. | | | | | | |
| 1 | 1 | | | 382 150 040 | | Zylinder | Cylinder |
| 2 | 19 | | | 382 905 973 | | Schraube M5x20 | Screw |
| 3 | 2 | | | 382 250 070 | | Kolbenring | Piston ring |
| 4 | 1 | | | 382 250 060 | | Kolben | Piston |
| 5 | 2 | | | 381 508 998 | | Sprengring | Spring ring |
| 6 | 1 | | | 381 250 010 | | Kolbenbolzen | Piston pin |
| 8 | 1 | | | 382 150 050 | | Dichtung | Gasket |
| 9 | 1 | | | 382 100 300 | | Kurbelgehäuse kpl. | Crankcase assy. |
| 11 | 1 | | | 382 200 100 | | Kurbelwelle kpl. | Crankshaft assy. |
| 12 | 1 | | | 381 008 999 | | Nadelkäfig | Needle cage |
| 13 | 1 | | | 381 320 310 | | Scheibfeder | Key |
| 15 | 1 | | | 382 150 060 | | Dichtung | Gasket |
| 18 | 1 | | | 381 550 000 | | Schutz | Protection |
| 21 | 4 | | | 382 650 030 | | Dämpfer | Damper |
| 22 | 1 | | | 382 350 020 | | Verbrennungsschutz | Heat shield |
| 23 | 2 | | | 382 905 969 | | Schraube M5x55 | Screw |
| 25 | 1 | | | 382 005 994 | | Distanzring | Distance ring |
| 26 | 1 | | | 382 005 993 | | Distanzring | Distance ring |
| 28 | 1 | | | 382 300 100 | | Auspufftopf | Muffler |
| 29 | 1 | | | 382 350 010 | | Dichtung | Gasket |
| 30 | 1 | | | 382 350 030 | | Dichtung | Gasket |
| 31 | 1 | | | 382 300 400 | | Zwischenflansch | Intermediate flange |
| 32 | 2 | | | 381 270 500 | | Mutter M5 | Nut |
| 34 | 1 | | | 381 350 280 | | Dichtung | Gasket |
| 35 | 1 | | | 382 550 170 | | Abdeckhaube | Hood |
| 36 | 1 | | | 382 005 999 | | Distanzring | Distance ring |
| 38 | 1 | | | 382 500 116 | | Mutter | Nut |
| 39 | 1 | | | 381 951 280 | | Schild | Label |
| 40 | 1 | | | 382 750 020 | | Zündkerzenstecker | Spark plug cap |
| 41 | 1 | | | 965 603 021 | | Zündkerze | Spark plug |
| 42 | 1 | | | 382 650 050 | | Tank | Tank |
| 46 | 1 | | | 382 650 020 | | Tankplatte | Fuel tank plate |
| 47 | 1 | | | 381 600 200 | => | Tankverschluß | Tank cap, fuel |
| 47 | 1 | | | 377 601 400 | <= | Tankverschluß | Tank cap, fuel |
| 48 | 1 | | | 382 650 390 | | Saugkopf | Suction head |
| 49 | 1 | | | 382 650 170 | | Schlauch | Tube |
| 50 | 1 | | | 382 108 001 | | Schlauchklemme | Hose clamp |
| 51 | 1 | | | 377 502 100 | | Verliersicherung | Strap unit |



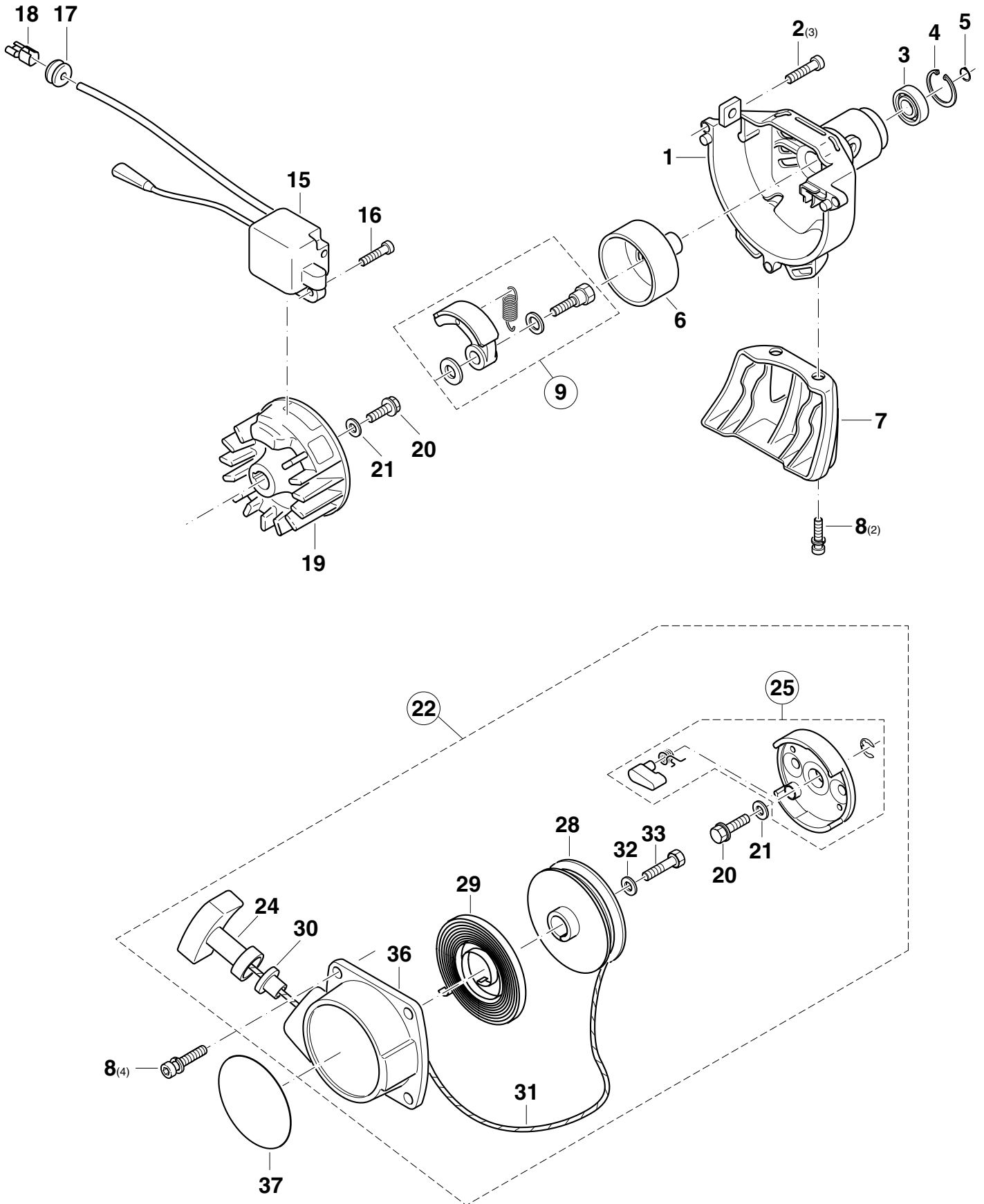
MS-2300
MS-2600
MS-3100

4

Zylinder, Kurbeltrieb, Auspufftopf, Tank
Cylinder, crankshaft, muffler, tank



| Pos. | Anz. Qty. | Teil-Nr. Part No. | Hinweise Notes | Benennung | Description |
|------|-----------|-------------------|----------------|--------------------|---------------------|
| 1 | | 383 150 020 | | Zylinder | Cylinder |
| 2 | 4 | 381 905 995 | | Schraube M5x18 | Screw |
| 3 | 2 | 383 250 020 | | Kolbenring | Piston ring |
| 4 | 1 | 383 250 060 | | Kolben | Piston |
| 5 | 1 | 383 250 040 | | Kolbenbolzen | Piston pin |
| 6 | 2 | 381 508 998 | | Sprengring | Spring ring |
| 8 | 1 | 383 150 030 | | Dichtung | Gasket |
| 9 | 1 | 383 100 200 | | Kurbelgehäuse kpl. | Crankcase assy. |
| 11 | 1 | 383 200 200 | | Kurbelwelle kpl. | Crankshaft assy. |
| 12 | 1 | 381 008 999 | | Nadelkäfig | Needle cage |
| 13 | 1 | 381 320 310 | | Scheibenfeder | Key |
| 15 | 1 | 383 150 040 | | Dichtung | Gasket |
| 16 | 2 | 383 650 020 | | Dämpfer | Damper |
| 18 | 4 | 383 005 979 | | Schraube | Screw |
| 20 | 2 | 383 650 040 | | Klammer | Cramp |
| 22 | 1 | 383 350 050 | | Zwischenflansch | Intermediate flange |
| 23 | 2 | 382 905 973 | | Schraube M5x20 | Screw |
| 24 | 1 | 383 350 070 | | Dichtung | Gasket |
| 25 | 1 | 381 014 981 | | Zündkerze | Spark plug |
| 26 | 1 | 383 550 190 | | Abdeckhaube | Hood |
| 27 | 3 | 383 005 992 | => | Schraube M5x8 | Screw |
| 27 | 3 | 901 505 082 | <= | Schraube M5x8 | Screw |
| 28 | 1 | 382 750 020 | | Zündkerzenstecker | Spark plug cap |
| 29 | 1 | 383 300 700 | | Auspufftopf | Muffler |
| 30 | 1 | 383 350 060 | | Dichtung | Gasket |
| 31 | 2 | 381 100 500 | | Scheibe | Washer |
| 32 | 2 | 383 905 971 | | Schraube M5x60 | Screw |
| 33 | 1 | 383 350 030 | | Verbrennungsschutz | Heat shield |
| 36 | 1 | 383 650 180 | | Tank | Tank |
| 37 | 1 | 382 650 390 | | Saugkopf | Suction head |
| 38 | 1 | 381 105 999 | | Schlauchklemme | Hose clamp |
| 39 | 1 | 382 650 170 | | Schlauch | Tube |
| 40 | 1 | 381 600 200 | => | Tankverschluß | Tank cap, fuel |
| 40 | 1 | 377 601 400 | <= | Tankverschluß | Tank cap, fuel |
| 41 | 1 | 383 600 100 | | Tankplatte | Fuel tank plate |
| 42 | 1 | 377 502 100 | | Verliersicherung | Strap unit |



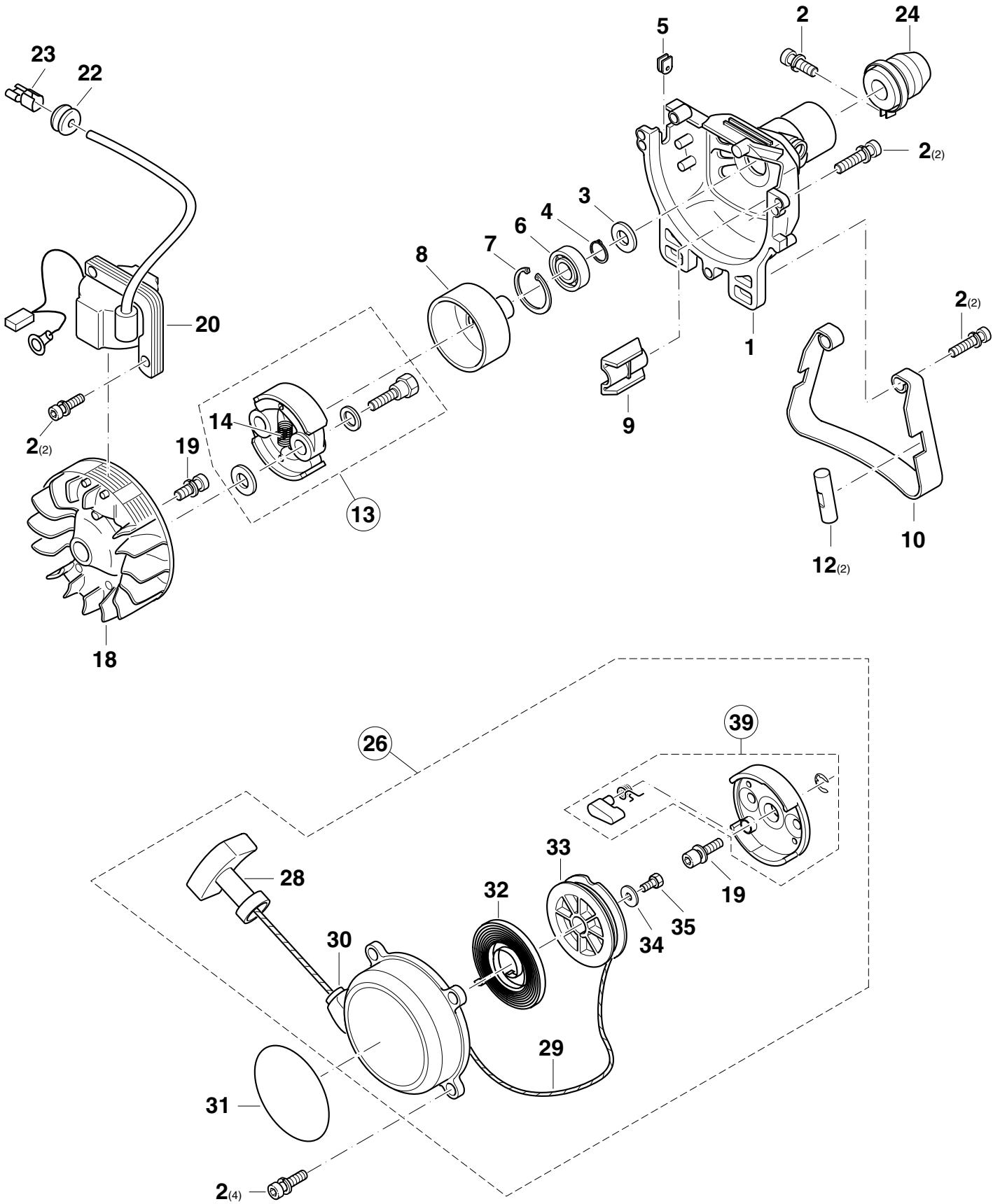
MS-2300
MS-2600
MS-3100

5

Kupplung, Zündanker, Anwerfvorrichtung
Clutch, ignition coil, starter



| Pos. | Anz. Qty. | Teil-Nr. Part No. | Hinweise Notes | Benennung | Description |
|------|--------------|----------------------|-------------------|------------------------|---------------------|
| 1 | 1 | 381 150 340 | | Kupplungsgehäuse | Clutch case |
| 2 | 3 | 381 005 999 | | Schraube | Screw |
| 3 | 1 | 381 250 030 | | Kugellager | Ball bearing |
| 4 | 1 | 381 142 400 | | Sicherungsring | Snap ring |
| 5 | 1 | 381 150 800 | | Sicherungsring | Snap ring |
| 6 | 1 | 381 200 100 | | Kupplungstrommel kpl. | Clutch drum assy. |
| 7 | 1 | 381 900 200 | | Fuß | Food |
| 8 | 6 | 381 360 518 | | Schraube | Screw |
| 9 | 1 | 381 200 305 | | Kupplung kpl. | Clutch assy. |
| 15 | 1 | 381 702 902 | | Zündanker | Ignition coil |
| 16 | 1 | 381 905 987 | | Schraube M5x12 | Screw |
| 17 | 1 | 381 105 500 | | Gummitülle | Rubber bush |
| 18 | 1 | 381 400 994 | | Kontaktblech | Plug cap spring |
| 19 | 1 | 381 702 901 | | Polrad | Flywheel |
| 20 | 2 | 381 130 616 | | Schraube | Screw |
| 21 | 2 | 381 120 600 | | Scheibe | Washer |
| 22 | 1 | 381 500 100 | | Anwerfvorrichtung kpl. | Starter assy. |
| 24 | 1 | 381 500 211 | | Anwerfgriff | Starter grip |
| 25 | 1 | 381 500 300 | | Starterrad kpl. | Starter wheel assy. |
| 28 | 1 | 381 500 202 | | Seiltrommel | Cable drum |
| 29 | 1 | 381 500 203 | | Rückholfeder | Rewind spring |
| 30 | 1 | 381 500 103 | | Seilführung | Rope guide |
| 31 | 1 | 381 500 206 | | Anwerfseil ø3 x 900mm | Starter rope |
| 32 | 1 | 381 500 204 | | Scheibe | Washer |
| 33 | 1 | 381 501 511 | | Schraube | Screw |
| 36 | 1 | 381 500 201 | | Startergehäuse | Starter housing |
| 37 | 1 | 381 951 270 | | Schild | Label |



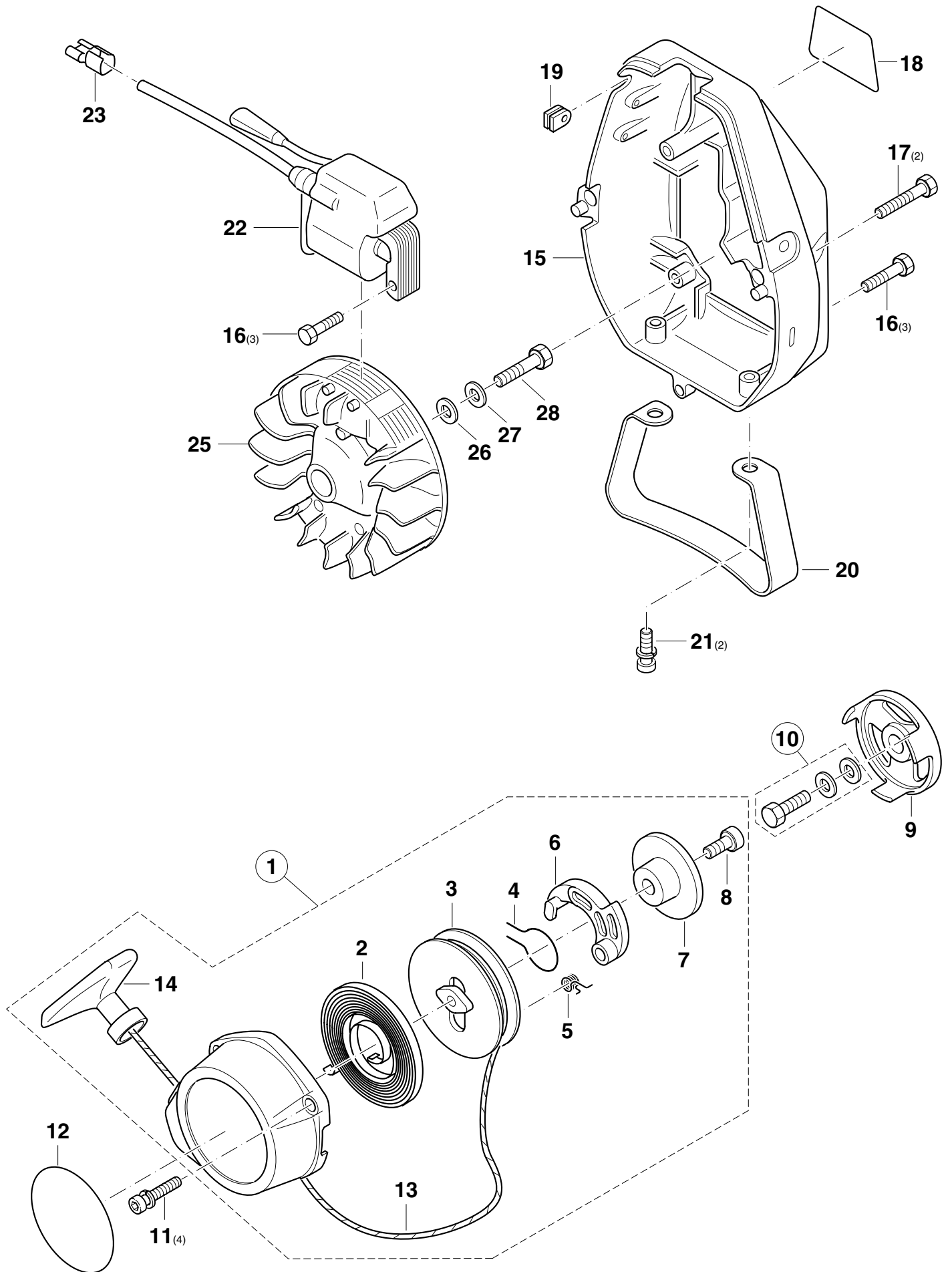
MS-2300
MS-2600
MS-3100

6

Kupplung, Zündanker, Anwerfvorrichtung
Clutch, ignition coil, starter



| Pos. | Anz. Qty. | Teil-Nr. Part No. | Hinweise Notes | Benennung | Description |
|------|--------------|----------------------|-------------------|-------------------------|-------------------|
| 1 | 1 | 382 150 580 | | Kupplungsgehäuse | Clutch case |
| 2 | 10 | 382 905 973 | | Schraube M5x20 | Screw |
| 3 | 1 | 383 150 130 | | Scheibe | Washer |
| 4 | 1 | 382 151 200 | | Sicherungsring | Snap ring |
| 5 | 1 | 382 102 999 | | Gummitülle | Rubber bush |
| 6 | 1 | 382 012 995 | | Kugellager | Ball bearing |
| 7 | 1 | 382 143 200 | | Sicherungsring | Snap ring |
| 8 | 1 | 382 201 000 | | Kupplungstrommel kpl. | Clutch drum assy. |
| 9 | 1 | 382 550 070 | | Platte | Plate |
| 10 | 1 | 382 550 200 | | Fuß | Foot |
| 12 | 2 | 382 550 210 | | Dämpfer kpl. | Damper cpl. |
| 13 | 1 | 382 200 800 | | Kupplung kpl. | Clutch assy. |
| 14 | 1 | 381 250 060 | | Feder | Spring |
| 18 | 1 | 382 700 201 | | Polrad | Flywheel |
| 19 | 2 | 382 906 984 | | Schraube | Screw |
| 20 | 1 | 382 700 402 | | Zündanker | Ignition coil |
| 22 | 1 | 381 105 500 | | Gummitülle | Rubber bush |
| 23 | 1 | 381 400 994 | | Kontaktblech | Plug cap spring |
| 24 | 1 | 382 102 400 | => | Dämpfer kpl. | Buffer cpl. |
| 24 | 1 | 382 102 300 | <=> | Dämpfer kpl. | Buffer cpl. |
| 26 | 1 | 382 500 600 | | Anwerfvorrichtung kpl. | Starter assy. |
| 28 | 1 | 382 500 211 | | Anwerfgriff | Starter grip |
| 29 | 1 | 382 500 114 | | Anwerfseil ø3,8 x 980mm | Starter rope |
| 30 | 1 | 382 500 112 | | Seilführung | Rope guide |
| 31 | 1 | 382 951 030 | | Schild | Label |
| 32 | 1 | 382 500 302 | | Rückholfeder | Rewind spring |
| 33 | 1 | 382 500 301 | | Seiltrommel | Cable drum |
| 34 | 1 | 382 500 303 | | Scheibe | Washer |
| 35 | 1 | 381 501 511 | | Schraube | Screw |
| 39 | 1 | 382 500 700 | | Starterrad | Starter wheel |



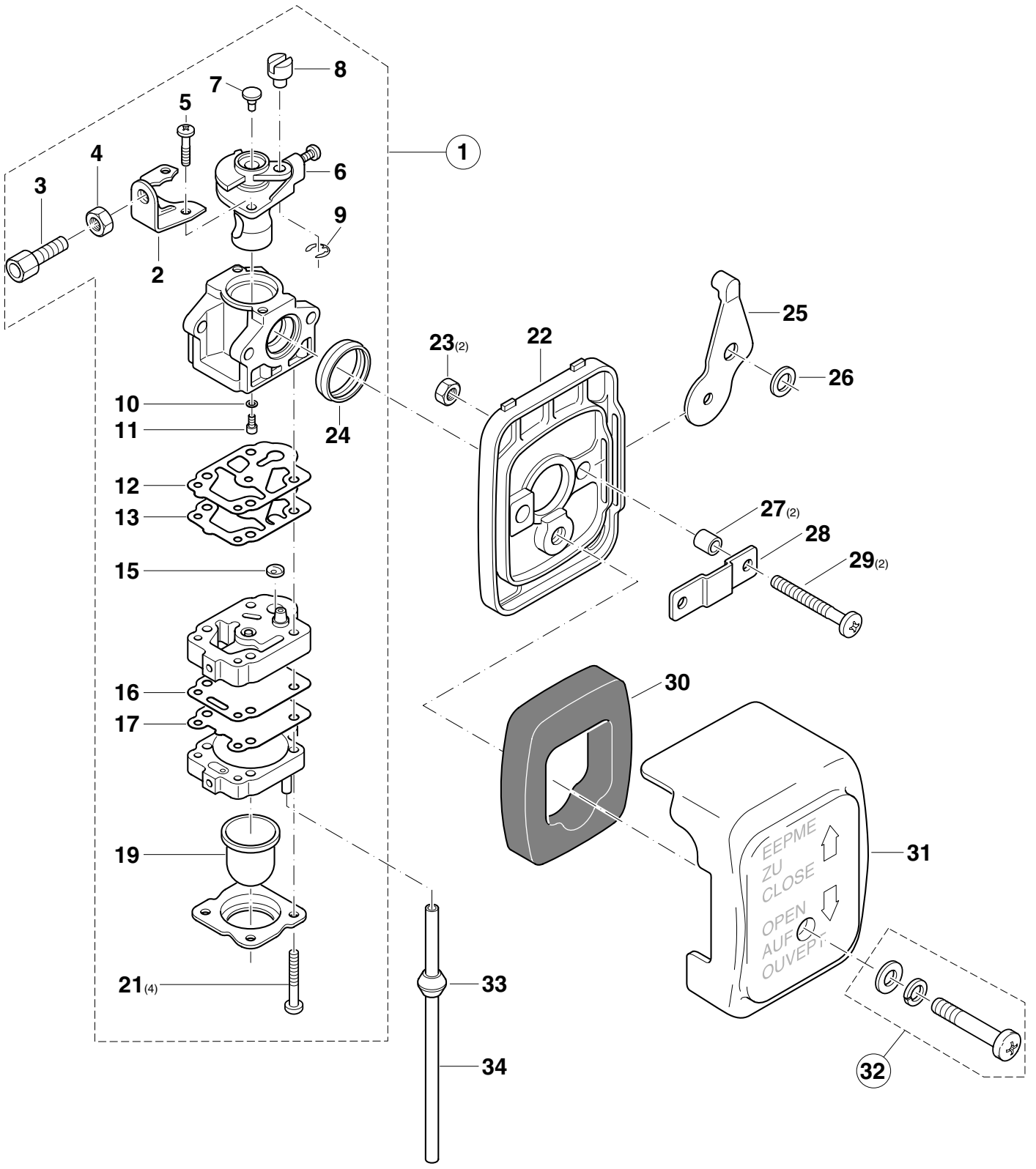
MS-2300
MS-2600
MS-3100

7

Zündanker, Anwerfvorrichtung
Ignition coil, starter



| Pos. | Anz. Qty. | Teil-Nr. Part No. | Hinweise Notes | Benennung | Description |
|------|--------------|----------------------|-------------------|------------------------|-----------------|
| 1 | 1 | 383 500 100 | | Anwerfvorrichtung kpl. | Starter assy. |
| 2 | 1 | 383 501 504 | | Rückholfeder | Rewind spring |
| 3 | 1 | 383 500 101 | | Seiltrommel | Cable drum |
| 4 | 1 | 383 501 505 | | Feder | Spring |
| 5 | 1 | 383 501 506 | | Rückholfeder | Rewind spring |
| 6 | 1 | 383 501 502 | | Anwerfkinke | Starter ratchet |
| 7 | 1 | 383 500 103 | | Reibscheibe | Friction plate |
| 8 | 1 | 383 005 989 | | Schraube M5x12 | Screw |
| 9 | 1 | 383 550 040 | | Starterrad | Starter wheel |
| 10 | 1 | 383 200 605 | | Schraube | Screw |
| 11 | 4 | 381 905 995 | | Schraube M5x18 | Screw |
| 12 | 1 | 383 951 040 | | Schild | Label |
| 13 | 1 | 383 500 105 | | Anwerfseil ø4 x 810mm | Starter rope |
| 14 | 1 | 383 500 102 | | Anwerfgriff | Starter grip |
| 15 | 1 | 383 550 180 | | Ventilatorgehäuse | Fan housing |
| 16 | 3 | 382 905 973 | | Schraube M5x20 | Screw |
| 17 | 2 | 383 905 983 | | Schraube M5x35 | Screw |
| 18 | 1 | 381 951 280 | | Schild | Label |
| 19 | 1 | 383 750 010 | | Gummitülle | Rubber bush |
| 20 | 1 | 383 550 050 | | Fuß | Stand set |
| 21 | 2 | 381 905 978 | | Schraube M5x12 | Screw |
| 22 | 1 | 383 700 402 | | Zündanker | Ignition coil |
| 23 | 1 | 381 400 994 | | Kontaktblech | Plug cap spring |
| 25 | 1 | 383 700 401 | | Polrad | Flywheel |
| 26 | 1 | 383 006 992 | | Scheibe | Washer |
| 27 | 1 | 383 200 600 | | Scheibe | Washer |
| 28 | 1 | 383 660 616 | | Schraube | Screw |

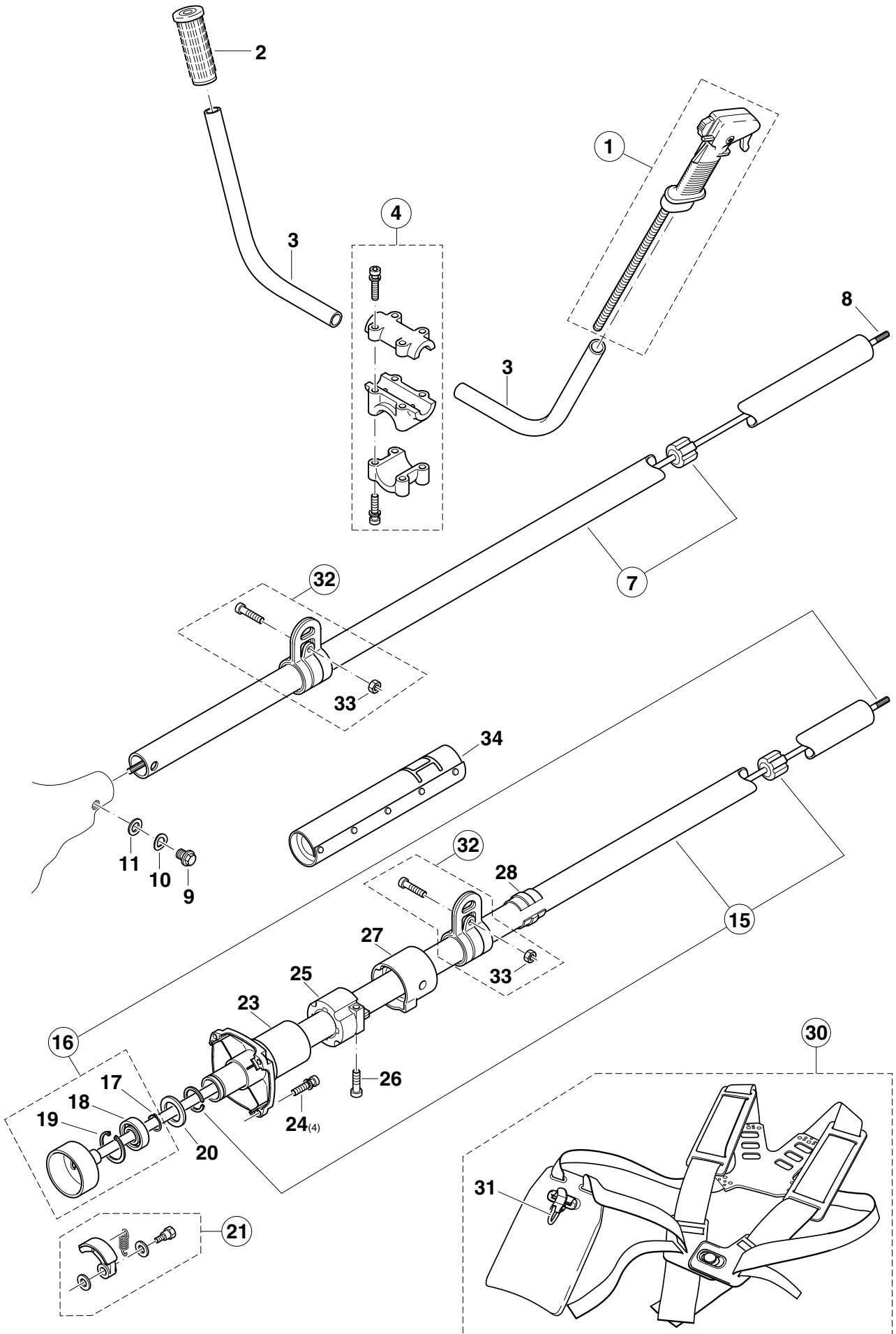




8

Vergaserteile
Carburetor parts

| Pos. | Anz. Qty. | | | Teil-Nr. Part No. | Hinweise Notes | Benennung | Description |
|------|-----------|---------|---------|-------------------|----------------|----------------------|----------------------|
| | MS-2300 | MS-2600 | MS-3100 | | | | |
| 1 | 1 | | 1 | 381 601 000 | | Vergaser kpl. | Carburetor cpl. |
| 1 | | 1 | | 382 600 800 | | Vergaser kpl. | Carburetor cpl. |
| 2 | 1 | 1 | 1 | 381 601 803 | | Gaszughalter | Bowden cable bracket |
| 3 | 1 | 1 | 1 | 381 600 801 | | Stellschraube | Adjustment screw |
| 4 | 1 | 1 | 1 | 381 600 545 | | Mutter | Nut |
| 5 | 1 | 1 | 1 | 381 600 124 | | Gaszughalterschraube | Cable bracket screw |
| 6 | 1 | 1 | 1 | 381 601 801 | | Vergaserventil | Carburetor valve |
| 7 | 1 | 1 | 1 | 381 600 811 | | Stopfen | Plug |
| 8 | 1 | 1 | 1 | 381 601 804 | | Nocken | Swivel |
| 9 | 1 | 1 | 1 | 381 600 512 | | Sicherungsscheibe | Safety washer |
| 10 | 1 | 1 | 1 | 381 600 101 | | O - Ring | Packing ring |
| 11 | 1 | | 1 | 381 600 201 | | Düse | Jet |
| 11 | | 1 | | 382 604 603 | | Düse | Jet |
| 12 | 1 | 1 | 1 | 381 600 103 | | Dichtung | Gasket |
| 13 | 1 | 1 | 1 | 381 600 104 | | Pumpenmembrane | Pump diaphragm |
| 15 | 1 | 1 | 1 | 381 600 401 | | Filter | Filter |
| 16 | 1 | 1 | 1 | 381 604 604 | | Steuermembrane | Control diaphragms |
| 17 | 1 | 1 | 1 | 381 600 525 | | Steuermembrane | Control diaphragms |
| 19 | 1 | 1 | 1 | 381 600 115 | | Primer | Primer pump |
| 21 | 4 | 4 | 4 | 381 604 601 | | Schraube | Screw |
| 22 | 1 | 1 | 1 | 381 350 040 | | Luftfilterboden | Air cleaner case |
| 23 | 2 | 2 | 2 | 381 270 500 | | Mutter M5 | Nut |
| 24 | 1 | 1 | 1 | 381 601 802 | | Dichtungsring | Packing ring |
| 25 | 1 | 1 | 1 | 381 350 090 | | Chokeklappe | Choke shutter |
| 26 | 1 | 1 | 1 | 381 306 999 | | Dichtung | Gasket |
| 27 | 2 | 2 | 1 | 381 005 997 | | Distanzring | Distance ring |
| 28 | 1 | 1 | 1 | 381 350 140 | | Luftfilterplatte | Air cleaner plate |
| 29 | 2 | | | 381 310 560 | => | Schraube M5x60 | Screw |
| 29 | 2 | | | 905 405 608 | <=> | Schraube M5x60 | Screw |
| 29 | | 2 | 2 | 382 005 973 | | Schraube M5x50 | Screw |
| 30 | 1 | 1 | 1 | 381 350 070 | | Luftfilter | Air filter |
| 31 | 1 | 1 | 1 | 381 350 050 | | Luftfilterdeckel | Air cleaner case |
| 32 | 1 | 1 | 1 | 381 360 512 | | Schraube M5x12 | Screw |
| 33 | 1 | | | 381 105 994 | | Gummitülle | Rubber bush |
| 34 | 1 | | | 381 115 999 | | Schlauch | Tube |

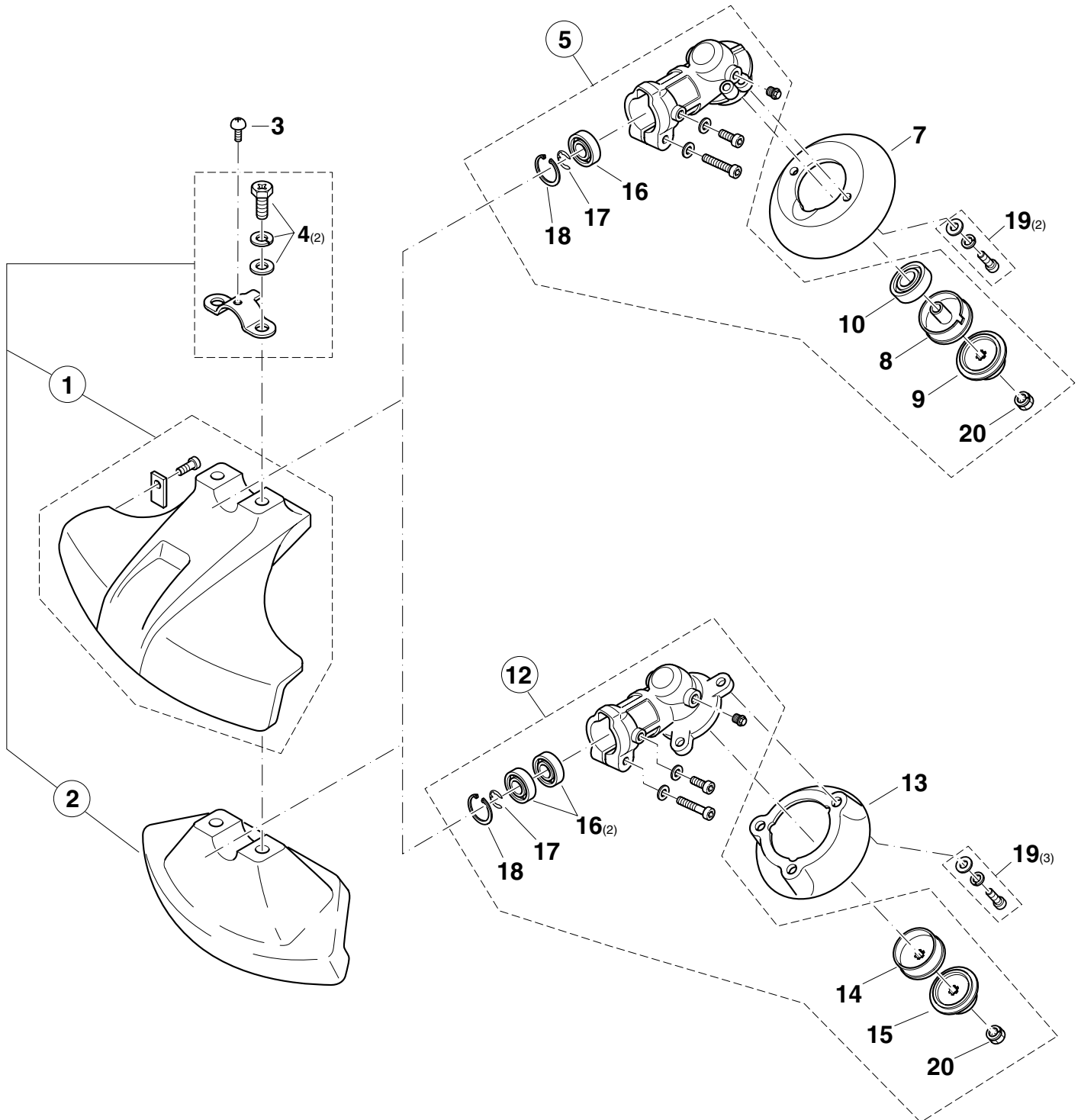




9

Hauptrohr, Handgriff
Main pipe, handle

| Pos. | MS-2300 MS-2600 MS-3100 | | | Teil-Nr. Part No. | Hinweise Notes | Benennung | Description |
|------|-------------------------------|---|---|----------------------|-------------------|----------------------------|--------------------------|
| | Anz. Qty. | | | | | | |
| 1 | 1 | | | 381 501 500 | | Bedienungshandgriff kpl. | Operating lever assy. |
| 1 | 1 | | | 382 502 600 | | Bedienungshandgriff kpl. | Operating lever assy. |
| 1 | | 1 | | 383 504 500 | | Bedienungshandgriff kpl. | Operating lever assy. |
| 2 | 1 | 1 | | 381 450 000 | | Griff | Handle |
| 2 | | | 1 | 383 450 100 | | Griff | Handle |
| 3 | 2 | 2 | | 381 450 060 | | Griffrohr ø 16 mm | Handle |
| 3 | | | 2 | 383 450 060 | | Griffrohr ø 20 mm | Handle |
| 4 | 1 | 1 | | 381 400 700 | | Klemmschalensatz | Clamping holder set |
| 4 | | | 1 | 383 400 500 | | Klemmschalensatz | Clamping holder set |
| | | | | | | | |
| 7 | 1 | 1 | | 381 100 400 | | Hauptrohr kpl. | Main pipe assy. |
| 8 | 1 | 1 | | 381 150 500 | | Welle | Transmission shaft |
| 9 | 1 | 2 | | 381 100 505 | | Schraube | Screw |
| 10 | 1 | 2 | | 381 221 400 | | Scheibe | Washer |
| 11 | 1 | 2 | | 381 950 040 | | Scheibe | Washer |
| | | | | | | | |
| 15 | | | 1 | 383 100 205 | | Hauptrohr kpl. | Main pipe assy. |
| 16 | | | 1 | 383 102 500 | | Welle mit Kupplungstrommel | Transm. shaft w. cl. dr. |
| 17 | | | 1 | 382 151 200 | | Sicherungsring | Snap ring |
| 18 | | | 1 | 382 012 995 | | Kugellager | Ball bearing |
| 19 | | | 1 | 381 150 800 | | Sicherungsring | Snap ring |
| 20 | | | 1 | 383 150 130 | | Scheibe | Washer |
| 21 | | | 1 | 383 200 400 | | Kupplung | Clutch |
| 23 | | | 1 | 383 150 590 | | Kupplungsgehäuse | Clutch case |
| 24 | | | 4 | 381 905 995 | | Schraube M5x18 | Screw |
| 25 | | | 1 | 383 100 500 | | Halter kpl. | Bush cpl. |
| 26 | | | 1 | 383 905 988 | | Schraube M5x25 | Screw |
| 27 | | | 1 | 383 150 220 | | Gehäusekappe | Case cap |
| 28 | | | 1 | 383 450 130 | | Buchse | Bush |
| | | | | | | | |
| 30 | 1 | 1 | | 380 261 030 | => | Tragegurt | Shoulder strap |
| 30 | | | 1 | 383 700 300 | => | Tragegurt | Shoulder strap |
| 30 | 1 | 1 | 1 | 387 260 100 | <= | Doppel-Schultergurt | Double shoulder harn. |
| 31 | 1 | 1 | 1 | 385 260 040 | | Karabinerhaken | Snaphook |
| 32 | 1 | 1 | 1 | 381 400 400 | | Tragegurtaufnahme | Hanger assy. |
| 33 | 1 | 1 | 1 | 381 270 500 | | Mutter M5 | Nut |
| 34 | 1 | 1 | 1 | 381 750 010 | | Hüftschutz | Hip guard |
| | | | | | | | |
| | | | | | | | |



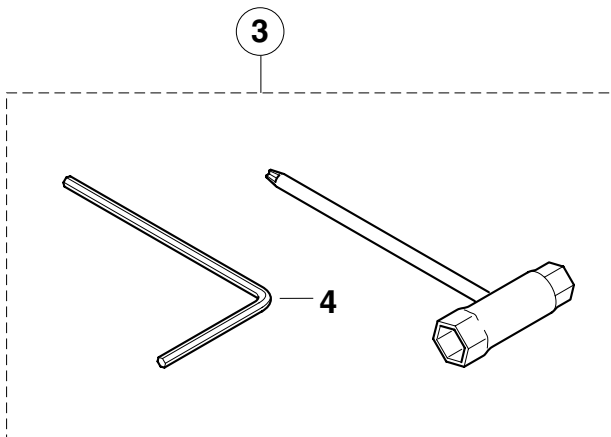
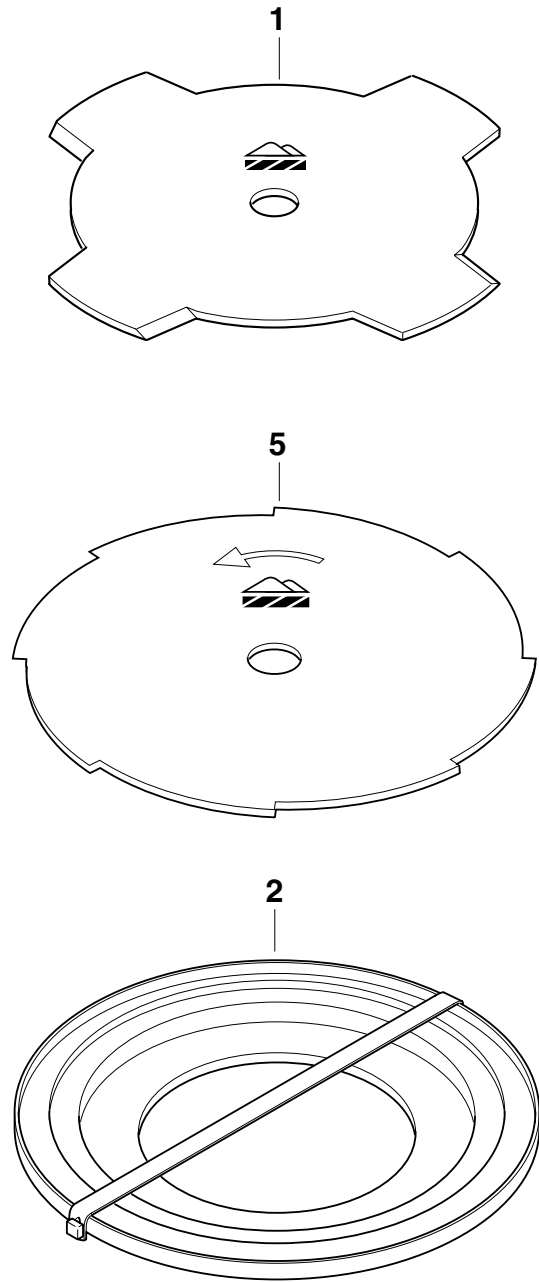
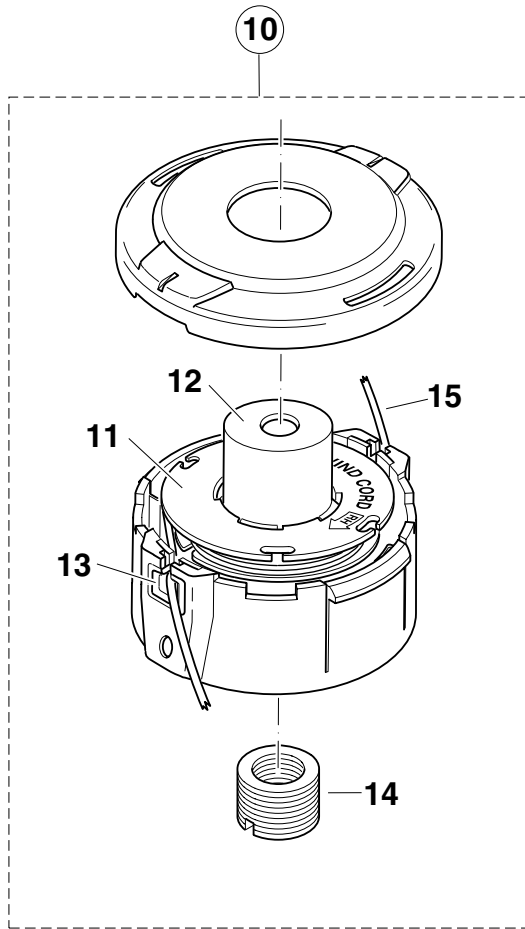
MS-2300
MS-2600
MS-3100

10

Winkelgetriebe, Schutzhaube
Bevel gear, protection hood



| Pos. | Anz. Qty. | | | Teil-Nr. Part No. | Hinweise Notes | Benennung | Description |
|------|-----------|---|---|-------------------|----------------|---------------------|----------------------|
| 1 | 1 | 1 | 1 | 381 800 800 | | Schutzhaube kpl. | Protection hood cpl. |
| 2 | 1 | 1 | 1 | 381 802 800 | | Schutzhaube kpl. | Protection hood cpl. |
| 3 | 1 | 1 | | 388 005 995 | | Schraube | Tapping screw |
| 4 | 2 | 2 | 2 | 381 170 630 | | Schraube kpl. M6x30 | Bolt assy. |
| 5 | 1 | 1 | | 381 300 900 | | Winkelgetriebe kpl. | Bevel gear assy. |
| 7 | 1 | 1 | | 381 850 020 | | Wickelschutz | Winding preventer |
| 8 | 1 | 1 | | 381 850 000 | | Aufnahmescheibe | Mounting disc |
| 9 | 1 | 1 | | 381 800 300 | | Druckscheibe | Pressure disc |
| 10 | 1 | 1 | | 382 350 050 | | Radialdichtring | Oil seal |
| 12 | | | 1 | 383 300 400 | | Winkelgetriebe kpl. | Bevel gear assy. |
| 13 | | | 1 | 383 850 020 | | Wickelschutz | Winding preventer |
| 14 | | | 1 | 383 850 360 | | Aufnahmescheibe | Mounting disc |
| 15 | | | 1 | 383 850 000 | | Druckscheibe | Pressure disc |
| 16 | 1 | 1 | 2 | 381 250 030 | | Kugellager | Ball bearing |
| 17 | 1 | 1 | 1 | 381 150 800 | | Sicherungsscheibe | Safety washer |
| 18 | 1 | 1 | 1 | 381 142 400 | | Sicherungsring | Snap ring |
| 19 | 2 | 2 | 3 | 381 905 978 | | Schraube M5x12 | Screw |
| 20 | 1 | 1 | 1 | 367 850 500 | | Mutter | Nut |



MS-2300
MS-2600
MS-3100

11

Schneidwerkzeuge, Werkzeug
Cutting tools, tools



| Pos. | Anz. Qty. | Teil-Nr. Part No. | Hinweise Notes | Benennung | Description |
|------|--------------|----------------------|-------------------|--|--|
| 1 | 1 | 362 224 050 | | 4-Zahn-Schlagmesser ø 230 | Star blade |
| 1 | 1 | 363 224 050 | | 4-Zahn-Schlagmesser ø 255 | Star blade |
| 2 | 1 | 381 850 070 | => | Transportschutz | Protection case |
| 2 | 1 | 370 341 450 | <=> | Transportschutz | Protection case |
| 3 | 1 | 381 900 600 | | Werkzeug kpl. | Tool cpl. |
| 4 | 1 | 940 804 000 | | 6kt-Schlüssel | Allen key |
| | | | | Zubehör (nicht im Lieferumfang) | Accessories (not incl. in delivery) |
| 5 | 1 | 362 224 080 | | 8-Zahn-Wirbelblatt ø 230 | 8-tooth eddy blade |
| 5 | 1 | 364 224 080 | | 8-Zahn-Wirbelblatt ø 255 | 8-tooth eddy blade |
| 10 | 1 | 381 224 261 | | 2-Fadenkopf, automatik | Dual line trimming head |
| 11 | 1 | 381 224 310 | | Spule für Faden | Spool for line |
| 12 | 1 | 381 224 320 | | Knopf | Button |
| 13 | 2 | 381 224 330 | | Fadenbuchse | Thread bush |
| 14 | 1 | 381 224 350 | | Adapter M8x1,25 L | Adaptor, left thread |
| 15 | 1 | 362 224 160 | | Faden ø 2,4 x 15 m | Nylon line |
| 15 | 1 | 362 224 230 | | Faden ø 2,4 x 90 m | Nylon line |

2 - 4Zylinder, Kurbeltrieb, Auspufftopf, Tank
Cylinder, crankshaft, muffler, tank**5 - 7**Kupplung, Zündanker, Anwerfvorrichtung
Clutch, ignition coil, starter**8**Vergaserteile
Carburetor parts**9**Hauptrohr, Handgriff
Main pipe, handle**10**Winkelgetriebe, Schutzhaube
Bevel gear, protection hood**11**Schneidwerkzeuge, Werkzeug
Cutting tools, tools

| | Zeichenerklärung | Key to symbols | Légende |
|--|---|---|---|
| ⇒ 1999999 2000000 ⇒ 4/95 ⇒ SI 5/95 => xxx = { m* ⊗ Corr. | Produktion bis Serien-Nr. Neues Teil ab Serien-Nr. Neues Teil ab Monat / Jahr Siehe Service-Information Monat / Jahr Teil gleichwertig ersetzt Nicht mehr lieferbar Keine Serienausführung, jedoch verwendbar Beinhaltet Positions-Nr. Meterware Innensternschraube Druckfehlerberichtigung | Production to serial number New part from serial number New part from Month / Year See Service-Information Month / Year Modified part No more available No standard execution, may be used Contains item no. Sold by the meter Star socket screw Error correction | Production jusqu'à n° de série Nouveau pièce à partir du n° de série Nouveau pièce à partir de Mois / Année Voir Service-Information Mois / Année Pièce modifiée Plus livrable Aucune exécut. en série, cependant utilisable contient n° de numéro Au mètre Vis à étoile intérieure Rectification d'erreurs |
| | Explicación de símbolos | Verklaring der tekens | Chiarificazione dei simboli |
| ⇒ 1999999 2000000 ⇒ 4/95 ⇒ SI 5/95 => xxx = { m* ⊗ Corr. | Producción hasta N° de serie Pieza nueva a partir de N° de serie Pieza nueva a partir de mes / año Véase inform. servicio mes / año Pieza modificada Agotado No es de serie, pero sirve Contiene pos N° Por metro Tornillo estrella interior Fe de erratas | In productie tot serie-Nr. Nieuw onderdeel vanaf serie-Nr. Nieuw onderdeel vanaf maand / jaar Zie service-informatie maand / jaar Vervangen door gelijkwaardig onderdeel Niet meer leverbaar Geen serieuitvoering, maar wel bruikbaar Omvat Positie-Nr. Metergoed Binnen-ster schroef Drukfoutcorrectie | Produzione fino al n. di serie Nuovo pezzo a partire dal n. di serie Nuovo pezzo a partire dal mese / anno Vedere il servizio inform. del mese / anno Pezzo sostituito con un pezzo equivalente Non più disponibile Non è un modello di serie, ma ugualm. utilizza. Comprende la posizione n. Articoli a metraggio Vite con intaglio a stella Rettifica di errori di stampa |
| | Tegnforklaring | Teckenförklaring | Merkklen selvitys |
| ⇒ 1999999 2000000 ⇒ 4/95 ⇒ SI 5/95 => xxx = { m* ⊗ Corr. | Produktion indtil løbenr. Ny del fra og med løbenr. Ny del fra og med måned / år Se Service-Information måned / år Afløst med tilsvarende del Kan ikke leveres mere Ikke standardudgave, men kan anvendes Inkluderer position nr. Metervare Skrue med indiv. stjerne Rettelse af trykfejl | Produktion t o m serienr Ny detalj fr o m serienr Ny detalj fr o m måned / år Se serviceinformation måned / år Ersatt med motsvarande detalj Kan ej mera levereras Ej serieutförande, men användbar Innehåller positionsnr Metervara Skruv med stjärnspår Korrigerig av tryckfel | Tuotanto sarjanumeroon ... asti Uusi osa alkaen sarjanumerosta Uusi osa alkaen kuukausi / vuosi Katso huolto-ohje kuukausi / vuosi Osa vaihdettu vastaavaan Ei enää toimitettavissa Ei sarjavalmistusta, voidaan kuitenkin käyttää Positionumero sisältyy Metritavara Tähtikoloruuvi Painovirheen oikaisu |