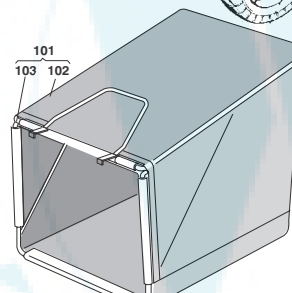
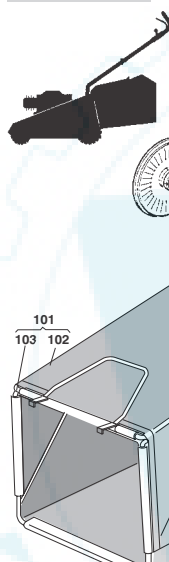
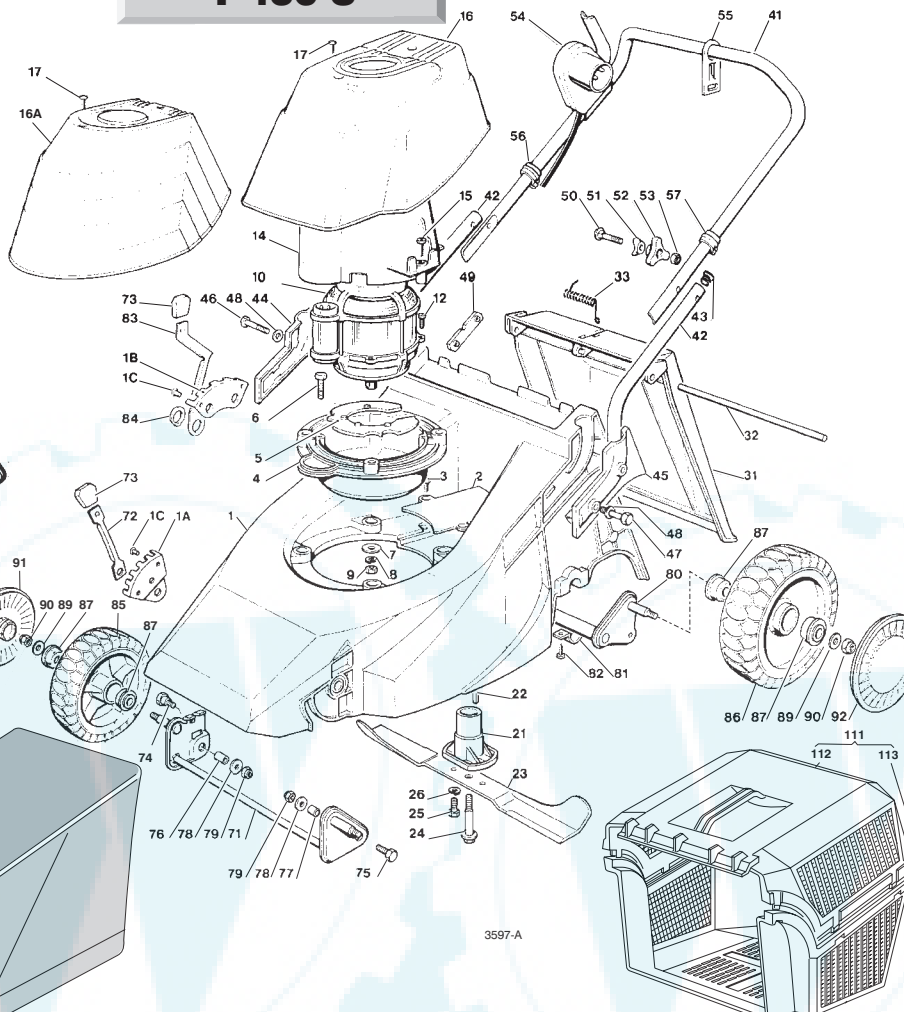


T 430

T 430 S

T 480

- CHASSIS
MANICO
COMANDI
DOTAZIONE VITERIE**
- DECK
HANDLE
CONTROLS
SCREWS OUTFITS**
- CHÂSSIS
MANCHERON
COMMANDES
DOTATION VISSERIE**
- GEHÄUSE
HOLM
BETÄTIGUNGEN
SCRAUBENSATZ**



- SPARE PARTS CATALOGUE**
- ERSATZTEILKATALOG**
- GB**
- D**
- CATALOGO DELLE PARTI
DI RICAMBIO**
- CATALOGUE DES PIÈCES
DE RECHANGE**
- I**
- F**

Pos. Nr.	Code Code Kodex	Q.tà Q.ty-Q.tè Menge	Descrizione	Description	Description	Description
1			CHASSIS	DECK	CHÂSSIS	GEHÄUSE
—	81001415/1	1	ROSSO T 430	RED T 430	ROUSO T 430	ROTES T 430
—	81001417/1	1	GIALLO T 430	YELLOW T 430	JAUNE T 430	GELBES GEHÄUSE T 430
—	81001421/1	1	VERDE T 430	GREEN T 430	VERT T 430	GRÜNES GEHÄUSE T 430
—	81001416/1	1	ROSSO T 480	RED T 480	ROUSO T 480	ROTES GEHÄUSE T 480
—	81001418/1	1	GIALLO T 480	YELLOW T 480	JAUNE T 480	GELBES GEHÄUSE T 480
—	81001422/1	1	VERDE T 480	GREEN T 480	VERT T 480	GRÜNES GEHÄUSE T 480
1A	22735535/0	1	SETTORE REGOLAZIONE	ADJUSTMENT SECTOR	SECTEUR REGLAGE	VERSTELLUNGSEKTOR
1B	22735508/0	1	SETTORE REGOLAZIONE	ADJUSTMENT SECTOR	SECTEUR REGLAGE	VERSTELLUNGSEKTOR
1C	12500070/0	3	RIVETTO	RIVET	RIVET	NIETE
2			CARTER CINGHIA	BELT PROTECTION T	PROTECTION COURROIRE	RIEMENSCHUTZ
—	22060171/0	1	T 430	T 430	T 430	T 430
—	22060172/0	1	T 480	T 480	T 480	T 480
3	12728680/0	2	VITE	SCREW	VIS	SCHRAUBE
4	22207202/1	1	FLANGIA	FLANGE	BRIDE	FLANSCH
5	22720360/1	1	SCHERMO VENTILAZIONE	VENTILATION SCREEN	ECRAN VENTILATION	LÜFTUNGSSCHIRM
6	12691600/0	4	VITE	SCREW	VIS	SCHRAUBE
7	12523070/0	4	RONDELLA	WASHER	RONDELLE	SCHIBE
8	12583500/0	4	GROWER	GROWER	GROWER	FEDERRING
9	12293200/0	4	DADO	NUT	ECROU	MUTTER
10			MOTORE	MOTOR	MOTEUR	MOTOR
—	18563068/1	1	IBMEI 1300W (230V)	IBMEI 1300W (230V)	IBMEI 1300W (230V)	IBMEI 1300W (230V)
—	18563008/0	1	RST 1300W (220-230V)	RST 1300W (220-230V)	RST 1300W (220-230V)	RST 1300W (220-230V)
—	18563069/1	1	IBMEI 1300W (240V)	IBMEI 1300W (240V)	IBMEI 1300W (240V)	IBMEI 1300W (240V)
—	18563061/2	1	IBMEI 1600W (230V)	IBMEI 1600W (230V)	IBMEI 1600W (230V)	IBMEI 1600W (230V)
—	18563009/0	1	RST 1600W (230V)	RST 1600W (230V)	RST 1600W (230V)	RST 1600W (230V)
—	18563047/2	1	IBMEI 1600W (240V)	IBMEI 1600W (240V)	IBMEI 1600W (240V)	IBMEI 1600W (240V)
10A	18740051/0	1	VENTOLA	FAN	VENTILATEUR	LÜFTER
10B			CONDENSATORE	CONDENSER	CONDENSEUR	KONDENSATOR
—	18222037/0	1	16 µF	16 µF	16 µF	16 µF

Pos. Nr.	Code Code Kodex	Q.tà Q.ty-Q.tè Menge	Descrizione	Description	Description	Beschreibung
—	18222038/0	1	20 µF	20 µF	20 µF	20 µF
12	12735410/0	4	VITE	SCREW	VIS	SCHRAUBE
14	22785061/0	1	SUPPORTO CAPOTTINA	COVER SUPPORT	SUPPORT CAPOT	HAUBEHALTER
15	12728710/0	4	VITE	SCREW	VIS	SCHRAUBE
16	81002059/0	1	ASS. CAPOTTINA	COVER ASS.Y	ENS. CAPOT	KOMPLETTE HAUBE
16A	81002057/0	1	ASS. CAPOTTINA	COVER ASS.Y	ENS. CAPOT	KOMPLETTE HAUBE
17	12728680/0	2	VITE	SCREW	VIS	SCHRAUBE
21	22463187/2	1	MOZZO	HUB	MOYEU	NABE
22	12139440/0	1	LINGUETTA	FEATHER	CLAVETTE	KEIL
23	☛		COLTELLO	BLADE	LAME	MESSER
—	81004396/0	1	ALETTATO 41 cm.	WINGED 41 cm.	AILETTÉE 41 cm.	FLÜGEL 41 cm.
—	81004341/2	1	STANDARD 41 cm.	STANDARD 41 cm.	STANDARD 41 cm.	STANDARD 41 cm.
—	81004397/0	1	ALETTATO 46 cm.	WINGED 46 cm.	AILETTÉE 46 cm.	FLÜGEL 46 cm.
—	81004346/2	1	STANDARD 46 cm.	STANDARD 46 cm.	STANDARD 46 cm.	STANDARD 46 cm.
24	81004353/1	1	VITE	SCREW	VIS	SCHRAUBE
25	12793101/0	1	VITE	SCREW	VIS	SCHRAUBE
26	12583500/0	2	GROWER	GROWER	GROWER	FEDERRING
31	22600023/2	1	PARASASSI	STONE-GUARD	PARE-PIERRES	PRALLBLECH
32	22517907/0	1	PERNO	PIN	PIVOT	BOLZEN
33	22450270/0	1	MOLLA	SPRING	RESSORT	FEDER
41	81006945/1	1	MANICO SUPERIORE	UPPER HANDLE	PARTIE SUP. MANCHERON	OBERTHOLM
42	81006917/0	2	MANICO INFERIORE	LOWER HANDLE	PARTIE INF. MANCHERON	UNTERHOLM
43	18566110/0	2	PUNTALE	CAP	BOUCHON	GUMMISTOPFEN
44	22600042/0	1	PROTEZ. MANICO DX	RIGHT HANDLE PROT.	PROT. MANCHERON DROITE	RECHTER HOLMSCHUTZ
45	22600043/0	1	PROTEZ. MANICO SX	LEFT HANDLE PROT.	PROT. MANCHERON GAUCHE	LINKER HOLMSCHUTZ
46	12691400/0	2	VITE	SCREW	VIS	SCHRAUBE
47	12691900/0	2	VITE	SCREW	VIS	SCHRAUBE
48	12521350/0	4	RONDELLA	WASHER	RONDELLE	SCHLEIBE
49	81005102/0	1	PIASTRINA FISSAGGIO MANICO	PLATE FOR HANDLE FASTENING	PLAQUETTE FIXAGE MANCHERON	HOLMBEFESTIGUNG PLÄTTCHEN
49A	22551632/0	1	PIASTRINA FISSAGGIO MANICO	PLATE FOR HANDLE FASTENING	PLAQUETTE FIXAGE MANCHERON	HOLMBEFESTIGUNG PLÄTTCHEN
50	12819120/0	2	VITE	SCREW	VIS	SCHRAUBE
51	22680006/0	2	ROSETTA	WASHER	RONDELLE	SCHLEIBE
52	22399900/0	2	MANOPOLINA	KNOB	POIGNÉE	GRIFF
53	12293200/0	2	DADO	NUT	ECROU	MUTTER
54	☛		SALVAMOTORE M.M.	DEAD HAND SWITCH	INT. MAIN MORTE	TOT MANSCHALTER
—	18710562/0	1	8,5 A 602 MS (1300W IBMEI/RST)	8,5 A 602 MS (1300W IBMEI/RST)	8,5 A 602 MS (1300W IBMEI/RST)	8,5 A 602 MS (1300W IBMEI/RST)
—	18710563/0	1	8,5 A 603 MS (1300W IBMEI/RST) SOLO PER SVIZZERA	8,5 A 603 MS (1300W IBMEI/RST) ONLY FOR SWITZERLAND	8,5 A 603 MS (1300W BMEI/RST) SEULEMENT POUR LA SUISSE	8,5 A 603 MS (1300W IBMEI/RST) NUR FÜR SCHWEIZ
—	18710624/1	1	8,5 A 607 MS (1300W IBMEI)	8,5 A 607 MS (1300W IBMEI)	8,5 A 607 MS (1300W IBMEI)	8,5 A 607 MS (1300W IBMEI)
—	18710604/0	1	10 A 602 MS (1600W IBMEI/RST)	10 A 602 MS (1600W IBMEI/RST)	10 A 602 MS (1600W BMEI/RST)	10 A 602 MS (1600W IBMEI/RST)
—	18710572/0	1	10 A 603 MS (1600W IBMEI/RST) SOLO PER SVIZZERA	10 A 603 MS (1600W IBMEI/RST) ONLY FOR SWITZERLAND	10 A 603 MS (1600W BMEI/RST) SEULEMENT POUR LA SUISSE	10 A 603 MS (1600W IBMEI/RST) NUR FÜR SCHWEIZ
—	18710628/0	1	10 607 MS (1600W IBMEI)	10 607 MS (1600W IBMEI)	10 607 MS (1600W IBMEI)	10 607 MS (1600W IBMEI)
55	22195101/1	1	FERMACAVO	FAIR LEAD	FIXATION CABLE	KABELBEFESTIGUNG
56	22192000/1	1	FASCETTA ANCORAGGIO	ANCHOR CLAMP	COLLIER ANCRAGE	BOWDENZUGHALTER
57	22192151/0	1	FERMACAVO	FAIR LEAD	FIXATION CABLE	KABELBEFESTIGUNG
71	☛		ASSE RUOTE ANT.	FRONT WHEEL AXLE	AXE ROUES AVANT	VORDERRADACHSE
—	81001408/0	1	T 430	T 430	T 430	T 430
—	81001410/0	1	T 480	T 480	T 480	T 480
72	22321502/0	1	LEVA REGOLAZIONE	ADJUSTMENT LEVER	LEVIER REGLAGE	VERSTELLUNGHEBEL
73	22400000/1	2	MANOPOLINA	KNOB	POIGNÉE	GRIFF
74	22519510/0	1	PERNO	PIN	PIVOT	BOLZEN
75	12691100/0	1	VITE	SCREW	VIS	SCHRAUBE
76	22170950/0	1	DISTANZIALE DX	RIGHT SPACER	ENTRETOISE DROITE	RECHTER DISTANZRING
77	22170940/0	1	DISTANZIALE SX	LEFT SPACER	ENTRETOISE GAUCHE	LINKER DISTANZRING
78	12523060/0	2	ROSETTA	WASHER	RONDELLE	SCHLEIBE
79	12155000/0	2	DADO	NUT	ECROU	MUTTER
80	81001406/0	1	ASSE RUOTE POST.	REAR WHEEL AXLE	AXE ROUES ARRIERE	HINTERRADACHSE
81	22545152/0	2	PIASTRINA	PLATE	PLAQUETTE	PLATTE
82	12735402/0	4	VITE	SCREW	VIS	SCHRAUBE
83	22321497/0	1	LEVA REGOLAZIONE	ADJUSTMENT LEVER	LEVIER REGLAGE	VERSTELLUNGHEBEL
84	12609260/0	1	ANELLO ARRESTO	RING	ANNEAU DE TENNUE	RING
85	81007317/0	2	RUOTA SCOLPITA Ø 170	KNOBBLY WHEEL Ø 170	ROUE SCULPTEE Ø 170	RAD M. STOLLENPR. Ø 170
86	81007318/1	2	RUOTA SCOLPITA Ø 210	KNOBBLY WHEEL Ø 210	ROUE SCULPTEE Ø 210	RAD M. STOLLENPR. Ø 210
87	22122200/0	8	CUSCINETTO	BEARING	ROULEMENT	KUGELLAGER
88	12530150/0	4	ROSETTA ELASTICA	ELASTIC WASHER	RONDELLE ELASTIQUE	ELASTISCHE SCHLEIBE
89	12521350/0	4	ROSETTA	WASHER	RONDELLE	SCHLEIBE
90	12155000/0	4	DADO	NUT	ECROU	MUTTER
91	☛		COPRIMOZZO	HUB CAP	COUVRE-MOYEU	RADKAPPE
—	22110282/0	2	BIANCO	WHITE	BLANC	WEIßE
—	22110288/0	2	GIALLO	YELLOW	JAUNE	GELBE
—	22110290/0	2	ROSSO	RED	ROUGE	ROTE
92	☛		COPRIMOZZO	HUB CAP	COUVRE-MOYEU	RADKAPPE
—	22110281/0	2	BIANCO	WHITE	BLANC	WEIßE
—	22110287/0	2	GIALLO	YELLOW	JAUNE	GELBE
—	22110289/0	2	ROSSO	RED	ROUGE	ROTE
101	96400000/0	1	ASS. SACCO IN TELA	CANVASS GRASSCATCHER ASS.Y	ENSEMBLE SAC EN TOILE	KOMPLETTER SACK
102	81006430/0	1	TELAIO	CHASSIS	CHÂSSIS	RAHMEN
103	81002124/1	1	TELA SACCO	FABRIC BOX	TOILE POUR SAC	TUCK FÜR SACK
111	96500000/0	1	SACCO COMPLETO	COMPLETE GRASS-BOX	SAC COMPLET	KOMPLETTER KORB
112	22486065/0	1	PARTE SUP. SACCO	UPPER GRASS-BOX	PARTIE SUP. SAC	OBERTHOLM
113	22486064/0	1	PARTE INF. SACCO	LOWER GRASS-BOX	PARTIE INF. SAC	UNTERHOLM
115	12521350/0	2	RONDELLA	WASHER	RONDELLE	SCHLEIBE
—	81008594/0	1	DOTAZIONE VITERIA	SCREWS OUTFIT	DOTATION VISSERIE	SCHRAUBEN SATZ