

**TDL 430 TR**

CHASSIS  
MANICO  
COMANDI  
DOTAZIONE VITERIE

DECK  
HANDLE  
CONTROLS  
SCREWS OUTFITS

CHÂSSIS  
MANCHERON  
COMMANDES  
DOTATION VISSERIE

GEHÄUSE  
HOLM  
BETÄTIGUNGEN  
SCRAUBENSATZ

SPARE PARTS CATALOGUE

ERSATZTEILKATALOG

GB

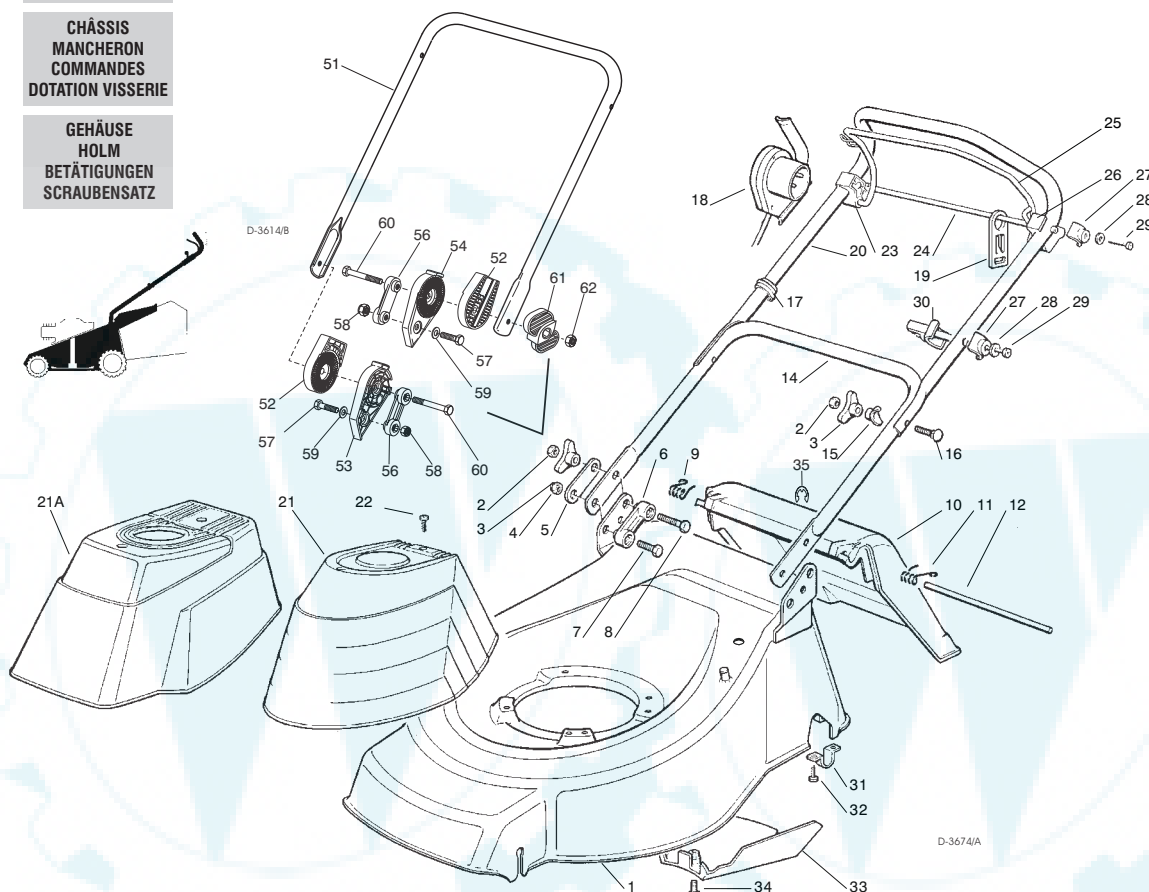
D

CATALOGO DELLE PARTI  
DI RICAMBIO

CATALOGUE DES PIÈCES  
DE RECHANGE

I

F



| Pos. Nr. | Codice Code Kodex | Q.tà Q.ty-Q.tè Menge | Descrizione                 | Description                 | Description                | Beschreibung               |
|----------|-------------------|----------------------|-----------------------------|-----------------------------|----------------------------|----------------------------|
| 1        |                   |                      | CHASSIS                     | DECK                        | CHÂSSIS                    | GEHÄUSE                    |
| —        | 81001639/0        | 1                    | ROSSO                       | RED                         | ROUGE                      | ROTES                      |
| —        | 81001640/0        | 1                    | GIALLO                      | YELLOW                      | JAUNE                      | GELBES                     |
| —        | 81001641/0        | 1                    | VERDE                       | GREEN                       | VERT                       | GRÜNES                     |
| 2        | 12293200/0        | 4                    | DADO                        | NUT                         | ECROU                      | MUTTER                     |
| 3        | 22399900/0        | 4                    | MANOPOLINA                  | KNOB                        | POIGNÉE                    | GRIF                       |
| 4        | 12155000/0        | 2                    | DADO                        | NUT                         | ECROU                      | MUTTER                     |
| 5        | 22551574/0        | 2                    | PIASTRINA ESTERNA           | OUTSIDE PLAQUE              | PLAQUETTE EXTERNE          | INNERE PLATTE              |
| 6        | 22551575/0        | 2                    | PIASTRINA INTERNA           | INSIDE PLAQUE               | PLAQUETTE INTERNE          | INNERE PLATTE              |
| 7        | 12793300/0        | 2                    | VITE                        | SCREW                       | VIS                        | SCHRAUBE                   |
| 8        | 12691115/0        | 2                    | VITE                        | SCREW                       | VIS                        | SCHRAUBE                   |
| 9        | 22450410/1        | 1                    | MOLLA DESTRA                | RIGHT SPRING                | RESSORT DROITE             | RECHTE FEDER               |
| 10       | 22600046/4        | 1                    | PARASASSI                   | STONEGUARD                  | PAREPIERRES                | PRALLBLECH                 |
| 11       | 22450420/1        | 1                    | MOLLA SINISTRA              | LEFT SPRING                 | RESSORT GAUCHE             | LINKE FEDER                |
| 12       | 22517906/1        | 1                    | PERNO                       | PIN                         | PIVOT                      | BOLZEN                     |
| 14       | 81006512/0        | 1                    | PORTE INFERIORE MANICO      | LOWER HANDLE                | PARTIE INF. MANCHERON      | OBERHOLM                   |
| 15       | 22680006/1        | 2                    | RONDELLA                    | WASHER                      | RONDELLE                   | SCHLEIBE                   |
| 16       | 12819201/0        | 2                    | VITE                        | SCREW                       | VIS                        | SCHRAUBE                   |
| 17       | 22192000/1        | 2                    | FASCETTA ANCORAGGIO         | ANCHOR CLAMP                | COLLIER ANCRAGE            | BOWDENZUGHALTER            |
| 18       | 18710603/0        | 1                    | SALVAMOTORE M.M. 11A 602 MS | DEAD HAND SWITCH 11A 602 MS | INT. MAIN MORTE 11A 602 MS | TOT MANSCHALTER 11A 602 MS |

| Pos. Nr. | Code Code Kodex | Q.tà Q.ty-Q.tè Menge | Descrizione             | Description         | Description           | Beschreibung     |
|----------|-----------------|----------------------|-------------------------|---------------------|-----------------------|------------------|
| 19       | 22195101/1      | 1                    | FERMACAVO               | FAIR LEAD           | FIXATION CABLE        | KABELBEFESTIGUNG |
| 20       | 81006997/0      | 1                    | PARTE SUPERIORE MANICO  | UPPER HANDLE        | PARTIE SUP. MANCHERON | UNTERHOLM        |
| 21       | 81002057/0      | 1                    | CAPOTTINA               | COVER               | CAPOT                 | HAUBE            |
| 21A      | 81002059/0      | 1                    | CAPOTTINA               | COVER               | CAPOT                 | HAUBE            |
| 22       | 12728680/0      | 2                    | VITE                    | SCREW               | VIS                   | SCHRAUBE         |
| 23       | 22806515/0      | 1                    | SUPPORTO DESTRO         | RIGHT FIXED BEARING | SUPPORT DROITE        | RECHTER HALTER   |
| 24       | 22020320/0      | 1                    | AGGANCIAMENTO FERMACAVO | FAIRLEAD BEARING    | SUPPORT SERRECABLE    | KABELHALTER      |
| 25       | 81001241/0      | 1                    | LEVA TRAZIONE           | DRIVING LEVER       | LEVIER TRACTION       | ANTRIEBHEBEL     |
| 26       | 22806516/0      | 1                    | SUPPORTO SINISTRO       | LEFT FIXED BEARING  | SUPPORT GAUCHE        | LINKER HALTER    |
| 27       | 22680007/0      | 3                    | RONDELLA                | WASCHER             | RONDELLE              | SCHEIBE          |
| 28       | 12523040/0      | 3                    | RONDELLA                | WASCHER             | RONDELLE              | SCHEIBE          |
| 29       | 12735103/0      | 3                    | VITE                    | SCREW               | VIS                   | SCHRAUBE         |
| 30       | 22806510/0      | 1                    | SUPPORTO REGISTRO       | ADJUSTER SUPPORT    | SUPPORT ECROU REG.    | REGLERHALTER     |
| 34       | 22545152/0      | 2                    | PIASTRINA               | PLATE               | PLAQUETTE             | PLATTE           |
| 35       | 12788910/0      | 4                    | VITE                    | SCREW               | VIS                   | SCHRAUBE         |
| 36       | 22060191/0      | 1                    | CARTER CINGHIA          | BELT PROTECTION     | PROTECTION CORROIRE   | RIEMENSCHUTZ     |
| 37       | 12727791/0      | 1                    | VITE                    | SCREW               | VIS                   | SCHRAUBE         |
| 38       | 12000930/0      | 1                    | ANELLO ELASTICO         | SNAP RING           | ANNEAU RESSORT        | SPRENGRING       |
| —        | 81008596/1      |                      | DOTAZIONE VITERIA       | SCREWS OUTFIT       | DOTATION VISSERIE     | SCHRAUBEN SATZ   |

| VARIANTE REGOLAZIONE MANICO | HANDLE ADJUSTMENT VARIANT | VARIANTE REGLAGE POIGNEE | GRIFFEINSTELLVARIANTE |
|-----------------------------|---------------------------|--------------------------|-----------------------|
|-----------------------------|---------------------------|--------------------------|-----------------------|

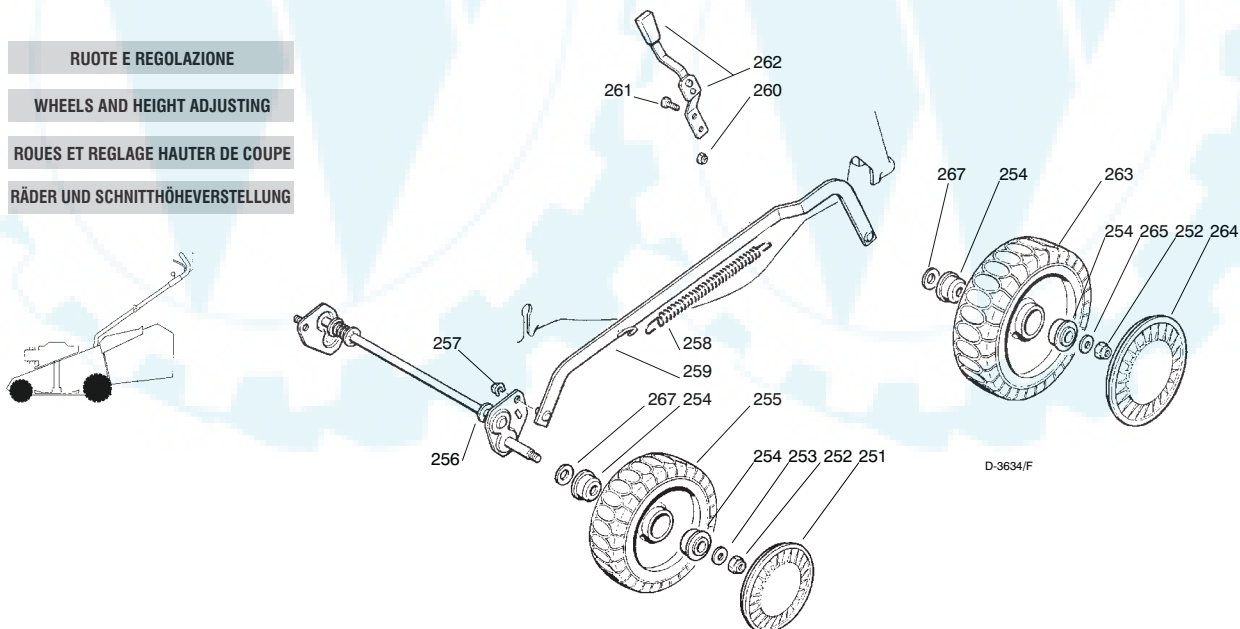
|          |    |            |   |                     |                     |                        |                         |
|----------|----|------------|---|---------------------|---------------------|------------------------|-------------------------|
| T-3614/B | 51 | 81006510/0 | 1 | PARTE INFR. MANICO  | LOWER HANDLE        | PARTIE INF. MANCHERON  | UNTERHOLM               |
|          | 52 | 22785081/0 | 2 | SUPPORTO ESTERNO    | EXTERNAL SUPPORT    | SUPPORT EXTERNE        | AUßERE HALTERUNG        |
|          | 53 | 22785082/0 | 1 | SUPPORTO INTERNO DX | R. INTERNAL SUPPORT | SUPPORT INTERNE DROIT  | INNERE HALTERUNG RECHTS |
|          | 54 | 22785083/1 | 1 | SUPPORTO INTERNO SX | L. INTERNAL SUPPORT | SUPPORT INTERNE GAUCHE | INNERE HALTERUNG LINKS  |
|          | 56 | 22551575/0 | 2 | PIASTRINA INTERNA   | INSIDE PLAQUE       | PLAQUETTE INTERNE      | INNERE PLATTE           |
|          | 57 | 12793701/0 | 2 | VITE                | SCREW               | VIS                    | SCHRAUBE                |
|          | 58 | 12155000/0 | 2 | DADO                | NUT                 | ECROU                  | MUTTER                  |
|          | 59 | 12521350/0 | 2 | RONDELLA            | WASHER              | RONDELLE               | SCHEIBE                 |
|          | 60 | 12691810/0 | 2 | VITE                | SCREW               | VIS                    | SCHRAUBE                |
|          | 61 | 22399803/0 | 2 | MANOPOLINA          | KNOB                | POIGNÉE                | GRIFF                   |
|          | 62 | 12293202/0 | 2 | DADO                | NUT                 | ECROU                  | MUTTER                  |
|          | —  | 81008622/0 | 1 | DOTAZ. VITERIA      | SCREWS OUTFIT       | DOTATION VISSERIE      | SCHRAUBEN SATZ          |

**RUOTE E REGOLAZIONE**

**WHEELS AND HEIGHT ADJUSTING**


**ROUES ET REGLAGE HAUTER DE COUPE**

**RÄDER UND SCHNITTHÖHEVERSTELLUNG**



D-3634/F

|          |     |            |            |                      |                     |                         |
|----------|-----|------------|------------|----------------------|---------------------|-------------------------|
| T-3634/F | 251 | —          | COPRIMOZZO | HUB CAP              | COUVRE-MOYEU        | RADKAPPE                |
|          | —   | 22110282/0 | 2          | BIANCO               | BLANC               | WEIßE                   |
|          | —   | 22110288/0 | 2          | GIALLO               | JAUNE               | GELBE                   |
|          | —   | 22110290/0 | 2          | ROSSO                | ROUGE               | ROTE                    |
|          | 252 | 12155000/0 | 4          | DADO                 | ECROU               | MUTTER                  |
|          | 253 | 12521350/0 | 2          | RONDELLA             | RONDELLE            | SCHEIBE                 |
|          | 254 | 22122200/0 | 8          | CUSCINETTO           | COUSSINET           | KUGELLAGER              |
|          | 255 | 81007317/0 | 2          | RUOTA SCOLPITA Ø 170 | ROUE SCULPTEE Ø 170 | RAD M. STOLLENPR. Ø 170 |
|          | 256 | 81001272/0 | 1          | ASSE RUOTE ANTERIORE | AXE ROUES AVANT     | VORDERRADACHSE          |
|          | 257 | 12436050/0 | 2          | PIASTRINA            | PLAQUETTE           | PLÄTTCHEN               |
|          | 258 | 22446180/0 | 1          | MOLLA                | RESSORT             | FEDER                   |
|          | 259 | 81001275/0 | 1          | ASTA COMANDO         | TIGE COMMANDE       | STELLSTAB               |
|          | 260 | 12154330/0 | 2          | DADO                 | ECROU               | MUTTER                  |
|          | 261 | 12789000/0 | 2          | VITE                 | VIS                 | SCHRAUBE                |
|          | 262 | 81003279/2 | 1          | LEVA REGOLAZIONE     | ADJUSTMENT LEVER    | VERSTELLUNGHEBEL        |
|          | 263 | 81007318/1 | 2          | RUOTA SCOLPITA Ø 210 | KNOBBLY WHEEL Ø 210 | RAD M. STOLLENPR. Ø 210 |

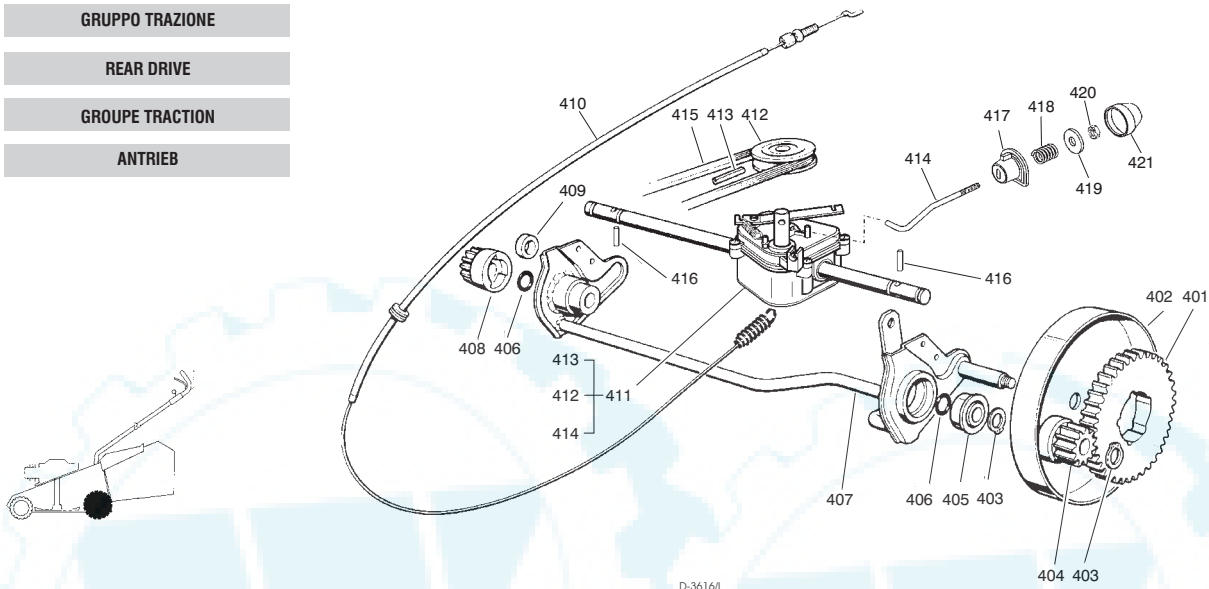
| Pos. Nr. | Codice Code Kodex   | Q.tà Q.ty-Q.tè Menge | Descrizione       | Description    | Description        | Beschreibung       |
|----------|---|----------------------|-------------------|----------------|--------------------|--------------------|
| 264      |  |                      | COPRIMOZZO        | HUB CAP        | COUVRE-MOYEU       | RADKAPPE           |
| —        | 22110281/0  | 2                    | BIANCO            | WHITE          | BLANC              | WEIÙE              |
| —        | 22110287/0  | 2                    | GIALLO            | YELLOW         | JAUNE              | GELBE              |
| —        | 22110289/0  | 2                    | ROSSO             | RED            | ROUGE              | ROTE               |
| 265      | 12369500/0  | 2                    | DISCO ELASTICO    | ELASTIC DISK   | RONDELLE ELASTIQUE | SCHEIBE            |
| 267      | 12530150/0  | 4                    | RONDELLA ELASTICA | ELASTIC WASHER | RONDELLE ELASTIQUE | ELASTISCHE SCHEIBE |

**GRUPPO TRAZIONE**

**REAR DRIVE**


**GROUPE TRACTION**

**ANTRIEB**



D-3616/I

T-3622/I

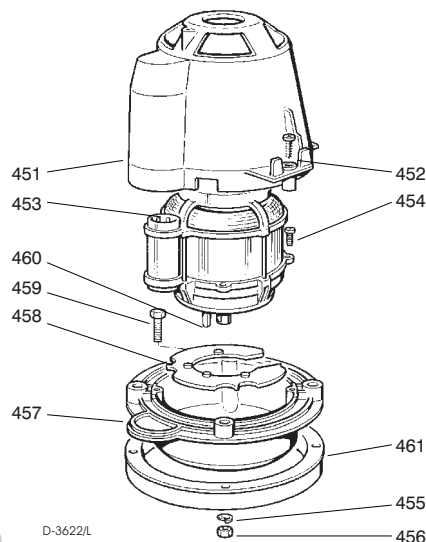
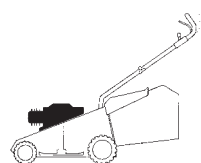
|     |   |   |                       |                  |                        |                       |
|-----|---|---|-----------------------|------------------|------------------------|-----------------------|
| 401 | 22120105/12   | 2 | CORONA                | RING GEAR        | COURONNE               | KRANZ                 |
| 402 | 81006846/0  | 2 | PROTEZIONE RUOTE      | WHEEL GUARD      | PROTECTION ROUE        | RÄDERSCHUTZ           |
| 403 | 12608600/0  | 4 | SEEGER                | SEEGER           | SEEGER                 | SEEGER                |
| 404 | 22570120/0  | 1 | PIGNONE SINISTRO      | LEFT PINION      | PIGNON GAUCHE          | LINKES RITZEL         |
| 405 | 22122200/0  | 2 | CUSCINETTO            | BEARING          | COUSSINET              | LAGER                 |
| 406 | 12019900/0  | 2 | ANELLO OR             | OR RING          | BAGUE OR               | RING OR               |
| 407 | 81001252/1  | 1 | ASSE RUOTE POSTERIORE | REAR WHEELS AXLE | AXE ROUES ARRIERE      | HINTERRADACHSE        |
| 408 | 22570110/0  | 1 | PIGNONE DESTRO        | RIGHT PINION     | PIGNON DROITE          | RECHTES RITZEL        |
| 409 | 22170800/0  | 1 | DISTANZIALE           | SPACER           | ENTRETOISE             | DISTANZRING           |
| 410 | 81001143/0  | 1 | ASS. COMANDO TRAZIONE | REAR DRIVE ASS.Y | ENS. COMMANDE TRACTION | ANTRIEBKABEL          |
| 411 |  |   | ASS. GRUPPO TRAZIONE  | GEAR BOX ASS.Y   | ENS. GROUPE TRACTION   | ANTRIEBSATZ           |
| —   | 81003059/0  | 1 | (PLASTICA)            | (PLASTIC)        | (PLASTIQUE)            | (KUNSTSTOFF)          |
| —   | 81003060/0  | 1 | (ALLUMINIO)           | (ALUMINIUM)      | (ALUMINIUM)            | (ALUMINIUM)           |
| 412 | 22601904/0  | 1 | PULEGGIA 4 KM/H       | PULLEY 4 KM/H    | POULIE 4 KM/H          | RIEMENSCHLEIBE 4 KM/H |
| 413 | 12645705/0  | 1 | SPINA                 | PIN              | GOUPILLE               | STIFT                 |
| 414 | 22033280/0  | 1 | ASTA REGOLAZIONE      | ADJUSTMENT ROD   | TIGE REGLAGE           | VERSTELLUNGSTANGE     |
| 415 | 35063710/0  | 1 | CINGHIA Z 25          | BELT Z 25        | COURROIE Z 25          | RIEMEN Z 25           |
| 416 | 22753000/0  | 2 | SPINA                 | PIN              | GOUPILLE               | STIFT                 |
| 417 | 22041957/0  | 1 | BUSSOLA               | BUSH             | DOUILLE                | BUCHSE                |
| 418 | 22450063/0  | 1 | MOLLA                 | SPRING           | RESSORT                | FEDER                 |
| 419 | 22680009/0  | 1 | RONDELLA              | WASHER           | RONDELLE               | SCHEIBE               |
| 420 | 12154510/0  | 1 | DADO                  | NUT              | ECROU                  | MUTTER                |
| 421 | 22110230/0  | 1 | TAPPO                 | CAP              | BOUCHON                | GUMMISTOPFEN          |

**GRUPPO MOTORE ELETTRICO**

**MOTOR ASS.Y**

**MOTEUR ELECTRIQUE**

**ELEKTROMOTOR**



D-3622/L

T-3622/L

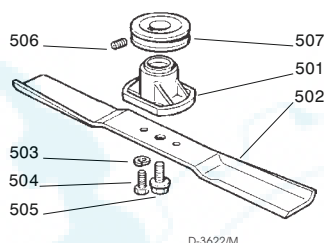
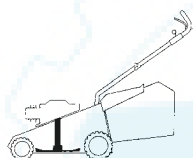
| Pos. Nr. | Code Code Kodex | Q.tà Q.ty-Q.tè Menge | Descrizione               | Description              | Description               | Beschreibung             |
|----------|-----------------|----------------------|---------------------------|--------------------------|---------------------------|--------------------------|
| 451      | 22785061/0      | 1                    | SUPPORTO CAPOTTINA        | COVER SUPPORT            | SUPPORT CAPOT             | HAUBEHALTER              |
| 452      | 12728710/0      | 4                    | VITE                      | SCREW                    | VIS                       | SCHRAUBE                 |
| 453      | 18563070/1      | 1                    | MOTORE IBMEI 1600W (230V) | IBMEI MOTOR 1600W (230V) | MOTEUR IBMEI 1600W (230V) | MOTOR IBMEI 1600W (230V) |
| 453b     | 18740049/0      | 1                    | VENTOLA MOTORE IBMEI      | IBMEI MOTOR FAN          | VENTILATEUR MOTEUR IBMEI  | IBMEI LÜFTER             |
| 453c     | 18222038/0      | 1                    | CONDENSATORE 20 µF        | CONDENSER 20 µF          | CONDENSEUR 20 µF          | KONDENSATOR 20 µF        |
| 454      | 12735410/0      | 4                    | VITE                      | SCREW                    | VIS                       | SCHRAUBE                 |
| 455      | 12583500/0      | 4                    | GROWER                    | GROWER                   | GROWER                    | FEDERRING                |
| 456      | 12293200/0      | 4                    | DADO                      | NUT                      | ECROU                     | MUTTER                   |
| 457      | 22207211/3      | 1                    | FLANGIA                   | FLANGE                   | BRIDE                     | FLANSCH                  |
| 458      | 22720360/1      | 1                    | SCHERMO VENTILAZIONE      | VENTILATION SCREEN       | ECRAN VENTILATION         | LÜFTUNGSSCHIRM           |
| 459      | 12691800/0      | 4                    | VITE                      | SCREW                    | VIS                       | SCHRAUBE                 |
| 460      | 12139440/0      | 1                    | LINGUETTA                 | FEATHER                  | CLAVETTE                  | KEIL                     |
| 461      | 81003471/0      | 1                    | DISTANZIALE               | SPACER                   | ENTRETOISE                | DISTANZRING              |

GRUPPO COLTELLO

BLADE ASS.Y

GROUPE LAME

MESSERSATZ



D-3622/M

T-3622/M

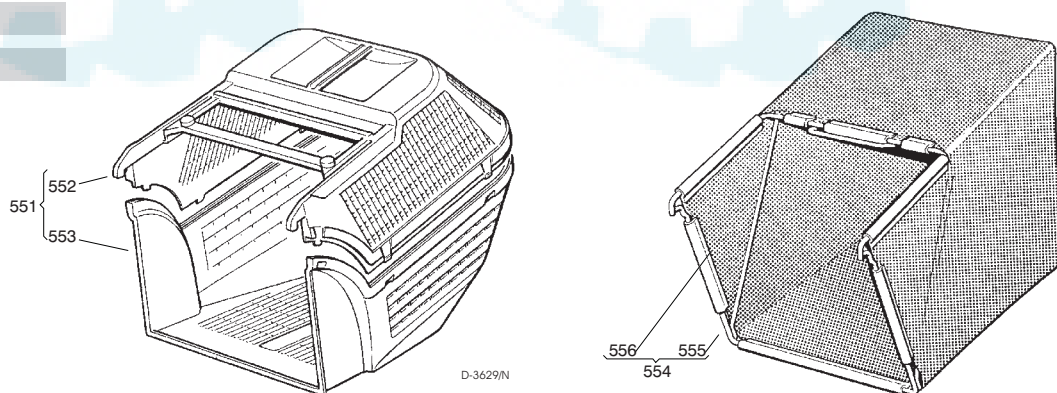
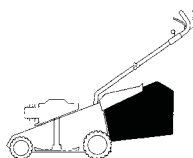
|     |            |   |          |          |          |                |
|-----|------------|---|----------|----------|----------|----------------|
| 501 | 22463186/2 | 1 | MOZZO    | HUB      | MOYEU    | NABE           |
| 502 | 81004341/2 | 1 | COLTELLO | BLADE    | LAME     | MESSER         |
| —   | 81004396/0 | 1 | STANDARD | STANDARD | STANDARD | STANDARD       |
| —   | 81004396/0 | 1 | ALETTATO | WINGED   | AILETTÉE | FLÜGEL         |
| 503 | 12583500/0 | 2 | GROWER   | GROWER   | GROWER   | FEDERRING      |
| 504 | 12793101/0 | 2 | VITE     | SCREW    | VIS      | SCHRAUBE       |
| 505 | 81004352/0 | 1 | VITE     | SCREW    | VIS      | SCHRAUBE       |
| 506 | 12713801/0 | 1 | GRANO    | DOWEL    | GRAIN    | STIFT          |
| 507 | 81000830/0 | 1 | PULEGGIA | PULLEY   | POUILE   | RIEMENSCHLEIBE |

SACCO RACCOGLIERBA

GRASS-CATCHER

BAC DE RAMASSAGE

GRASFANGKORB



D-3629/N

T-3629/N

|     |            |   |                    |                      |                       |                 |
|-----|------------|---|--------------------|----------------------|-----------------------|-----------------|
| 551 | 94004000/1 | 1 | SACCO COMPLETO     | COMPLETE GRASS-BOX   | SAC COMPLET           | KOMPLETTER KORB |
| 552 | 22486073/0 | 1 | PARTE SUP. SACCO   | UPPER GRASS BOX      | PARTIE SUP. SAC       | OBERKORB        |
| 553 | 22486074/0 | 1 | PARTE INF. SACCO   | LOWER GRASS BOX      | PARTIE INF. SAC       | UNTERKORB       |
| 554 | 94005000/0 | 1 | ASS. SACCO IN TELA | CANVASS GRASSCATCHER | ENSEMBLE SAC EN TOILE | KOMPLETTER SACK |
| 555 | 81006418/0 | 1 | TELAIO             | CHASSIS              | CHÂSSIS               | RAHMEN          |
| 556 | 81002105/2 | 1 | TELA SACCO         | FABRIC BOX           | TOILE POUR SAC        | TUCK FÜR SACK   |