

NG 504 TR

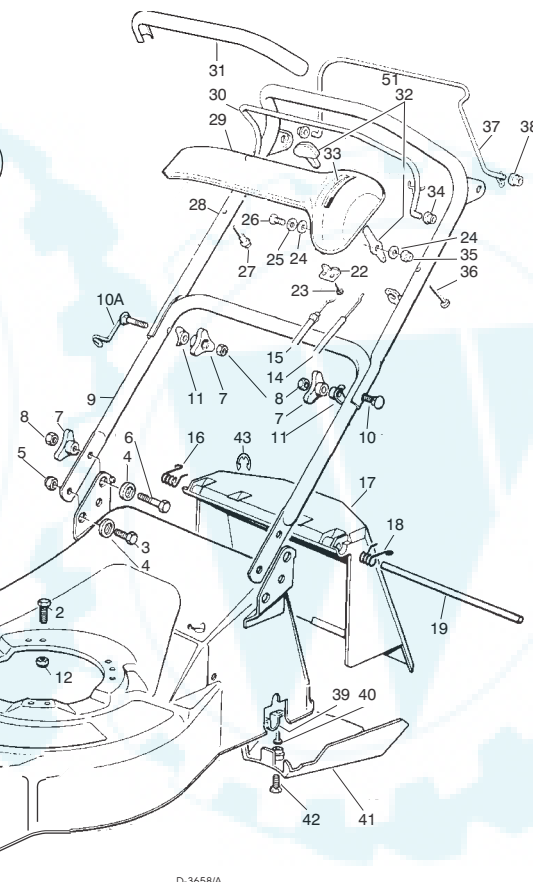
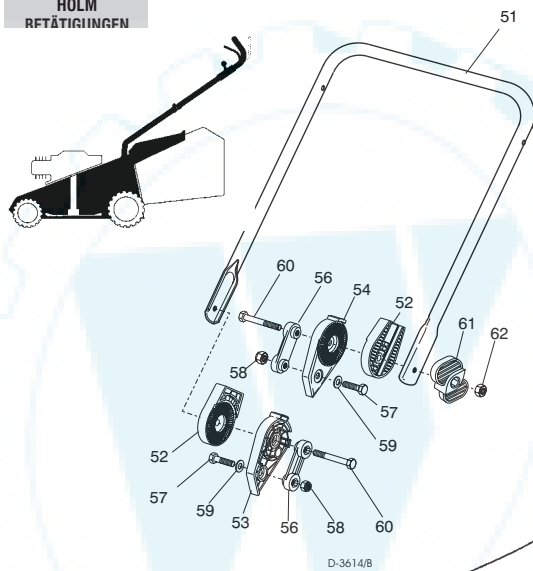
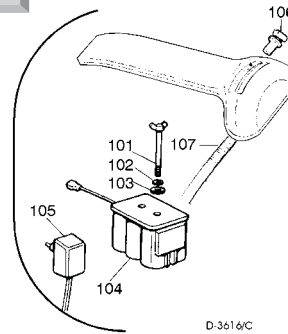
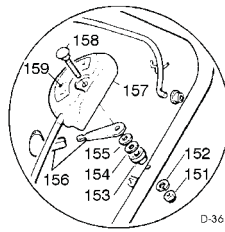
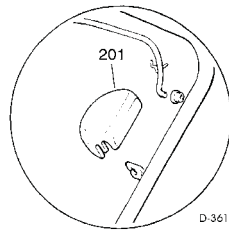
NG 504 TR-E

CHASSIS
MANICO
COMANDI
DOTAZIONE VITERIE

DECK
HANDLE
CONTROLS
SCREWS OUTFITS

CHÂSSIS
MANCHERON
COMMANDES
DOTATION VISSERIE

GEHÄUSE
HOLM
RFTÄTIGINGEN



SPARE PARTS CATALOGUE

ERSATZTEILKATALOG

GB

D

CATALOGO DELLE PARTI
DI RICAMBIO

CATALOGUE DES PIÈCES
DE RECHANGE

I

F

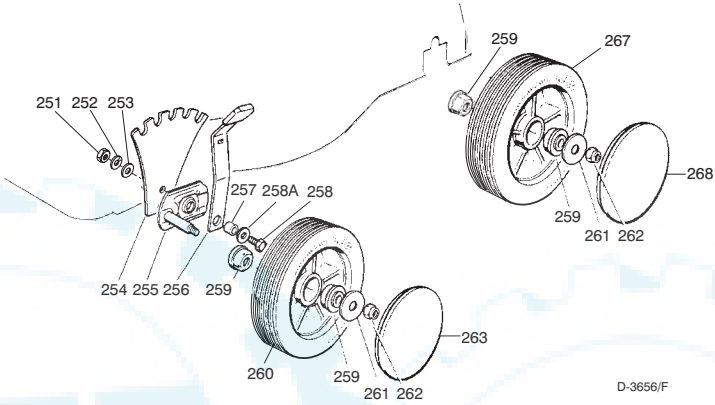
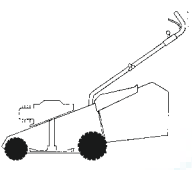
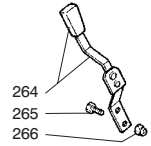
T-3658/A

Pos. Nr.	Code Code Kodex	Q.tà Q.ty-Q.tè Menge	Descrizione	Description	Description	Beschreibung
1			CHASSIS	DECK	CHÂSSIS	GEHÄUSE
—	81001608/0	1	ROSSO (TR)	RED (TR)	ROUGE (TR)	ROTES (TR)
—	81001609/0	1	GIALLO (TR)	YELLOW (TR)	JAUNE (TR)	GELBES (TR)
—	81001610/0	1	VERDE (TR)	GREEN (TR)	VERT (TR)	GRÜNES (TR)
—	81001669/0	1	ROSSO (TR-E)	RED (TR-E)	ROUGE (TR-E)	ROTES (TR-E)
—	81001670/0	1	GIALLO (TR-E)	YELLOW (TR-E)	JAUNE (TR-E)	GELBES (TR-E)
—	81001671/0	1	VERDE (TR-E)	GREEN (TR-E)	VERT (TR-E)	GRÜNES (TR-E)
2			VITE	SCREW	VIS	SCHRAUBE
—	12793700/0	3/2	(M8x30)	(M8x30)	(M8x30)	(M8x30)
—	12691800/0	0/1	(M8x60)	(M8x60)	(M8x60)	(M8x60)
3	12792610/0	2	VITE	SCREW	VIS	SCHRAUBE
4	22041955/0	4	BUSSOLA	BUSH	DOUILLE	BUCHSE
5	12155000/0	2	DADO	NUT	ECROU	MUTTER
6	12793700/0	2	VITE	SCREW	VIS	SCHRAUBE
7	22399900/0	4	MANOPOLINA	KNOB	POIGNÉE	GRIF
8	12293200/0	4	DADO	NUT	ECROU	MUTTER
9	81006512/0	1	PARTIE INF. MANICO	LOWER HANDLE	PARTIE INF. MANCHERON	UNTERHOLM
10	12819201/0	1	VITE	SCREW	VIS	SCHRAUBE
10A	81003801/0	1	MOLLA GUIDA	SPRING	RESSORT	FEDER
11	22680006/1	2	RONDELLA	WASHER	RONDELLE	SCHEIBE

Pos. Nr.	Code Code Kodex	Q.tà Q.ty-Q.tè Menge	Descrizione	Description	Description	Beschreibung	
12	12293201/0	3/2	DADO	NUT	ECROU	MUTTER	
—	12155000/0	0/1	DADO	NUT	ECROU	MUTTER	
14	81007160/0	1	CAVO ACCELERATORE	THROTTLE CABLE	CABLE ACCELERATEUR	BESCHLEUNIGER KABEL	
15	81000629/0	1	CAVO FRENO MOTORE (TECUMSEH)	THREAD MOTOR BRAKE (TECUMSEH)	CABLE FREIN MOTEUR (TECUMSEH)	MOTORBREMSEKABEL (TECUMSEH)	
—	81000631/0	1	(QUANTUM XM-ES 40)	(QUANTUM XM-ES 40)	(QUANTUM XM-ES 40)	(QUANTUM XM-ES 40)	
—	81000625/0	1	(SPRINT 375/QUATTRO)	(SPRINT 375/QUATTRO)	(SPRINT 375/QUATTRO)	(SPRINT 375/QUATTRO)	
—	81000640/0	1	(HONDA GCV 135/160)	(HONDA GCV 135/160)	(HONDA GCV 135/160)	(HONDA GCV 135/160)	
16	22450410/1	1	MOLLA DX	RIGHT SPRING	RESSORT DROITE	RECHTE FEDER	
17	22600028/4	1	PARASASSI	STONE-GUARD	PARE-PIERRES	PRALLBLECH	
18	22450420/1	1	MOLLA SX	LEFT SPRING	RESSORT GAUCHE	LINKE FEDER	
19	22517906/1	1	PERNO	PIN	PIVOT	BOLZEN	
22	22981467/0	1	PIASTRINA	PLAQUE	PLAQUETTE	PLATTE	
23	12735105/0	2	VITE	SCREW	VIS	SCHRAUBE	
24	12523040/0	2	RONDELLA	WASHER	RONDELLE	SCHEIBE	
25	12530060/0	1	RONDELLA ELASTICA	SPRING WASHER	RONDELLE ELASTIQUE	ELASTISCHE SCHEIBE	
26	12791500/0	1	VITE	SCREW	VIS	SCHRAUBE	
27	22943006/0	1	VITE	SCREW	VIS	SCHRAUBE	
28	81007024/0	1	PARTE SUP. MANICO	UPPER HANDLE	PARTIE SUP. MANCHERON	OBERHOLM	
29	81000329/2	1	CRUSCOTTO	DASH BOARD	CONSOLE	KONSOLE	
—	22120154/0	1	ROSSO	RED	ROUGE	ROTE	
—	22120152/0	1	GIALLO	YELLOW	JAUNE	GELBE	
—	22120158/0	1	NERO	BLACK	NOIRE	SCHWARZE	
30	81003291/2	1	LEVA FRENO MOTORE	BRAKE LEVER	LEVIER FREIN MOTEUR	MOTORBREMSEHEBEL	
31	22291050/0	1	IMPUGNATURA MANICO	HANDGRIP	POIGNÉE	HANDGRIF	
—	22291051/0	1	NERA	BLACK	NOIRE	SCHWARZER	
—	22291051/0	1	ROSSA	RED	ROUGE	RÖTER	
—	22291052/0	1	GIALLA	YELLOW	JAUNE	GELBER	
32	81007280/2	1	ASS. LEVA + MANOPOLINA	LEVER + KNOB ASS. Y	ENS. LEVIER + POIGNÉE	HEBEL + GRIFF SATZ	
33	14356743/0	1	ETICHETTA (TECUMSEH-HONDA)	LABEL (TECUMSEH-HONDA)	ETIQUETTE (TECUMSEH-HONDA)	ETIKETTE (TECUMSEH-HONDA)	
—	14356744/0	1	(B&S)	(B&S)	(B&S)	(B&S)	
34	22041966/0	1	BOCCOLA	BUSH	DOUILLE	BUCHSE	
35	12154510/0	1	DADO	NUT	ECROU	MUTTER	
36	12728460/0	1	VITE	SCREW	VIS	SCHRAUBE	
37	81003288/1	1	LEVA TRAZIONE	DRIVING LEVER	LEVIER TRACTION	ANTRIEBHEBEL	
38	22041965/0	2	BOCCOLA	BUSH	DOUILLE	BUCHSE	
39	22545152/0	2	PIASTRINA	PLAQUE	PLAQUETTE	PLATTE	
40	12731350/0	4	VITE	SCREW	VIS	SCHRAUBE	
41	22060190/0	1	CARTER CINGHIA	BELT PROTECTION	PROTECTION COURROIE	RIEMENSCHUTZ	
42	12727791/0	1	VITE	SCREW	VIS	SCHRAUBE	
43	12000930/0	1	ANELLO ELASTICO	SNAP RING	ANNEAU RESSORT	SPRENGRING	
—	81008614/1	1	DOTAZIONE VITERIA	SCREWS OUTFIT	DOTATION VISSERIE	SCHRAUBEN SATZ	
—	81008609/0	1	DOTAZIONE CRUSCOTTO	DASH-BOARD OUTFIT	DOTATION CONSOLE	KONSOLE SATZ	
			VARIANTE REGOLAZIONE MANICO	HANDLE ADJUSTMENT VARIANT	VARIANTE REGLAGE POIGNEE	GRIFFEINSTELLVARIANTE	
T-3615/B	51	81006510/0	1	PARTE INFR. MANICO	LOWER HANDLE	PARTIE INF. MANCHERON	UNTERHOLM
	52	22785081/0	2	SUPPORTO ESTERNO	EXTERNAL SUPPORT	SUPPORT EXTERNE	AUßERE HALTERUNG
	53	22785082/0	1	SUPPORTO INTERNO DX	R. INTERNAL SUPPORT	SUPPORT INTERNE DROIT	INNERE HALTERUNG RECHTS
	54	22785083/1	1	SUPPORTO INTERNO SX	L. INTERNAL SUPPORT	SUPPORT INTERNE GAUCHE	INNERE HALTERUNG LINKS
	56	22551575/0	2	PIASTRINA INTERNA	INSIDE PLAQUE	PLAQUETTE INTERNE	INNERE PLATTE
	57	12793701/0	2	VITE	SCREW	VIS	SCHRAUBE
	58	12155000/0	2	DADO	NUT	ECROU	MUTTER
	59	12521350/0	2	RONDELLA	WASHER	RONDELLE	SCHEIBE
	60	12691810/0	2	VITE	SCREW	VIS	SCHRAUBE
	61	22399803/0	2	MANOPOLINA	KNOB	POIGNÉE	GRIFF
	62	12293202/0	2	DADO	NUT	ECROU	MUTTER
—	81008623/0	1	DOTAZ. VITERIA	SCREWS OUTFIT	DOTATION VISSERIE	SCHRAUBEN SATZ	
			VARIANTI PER AVVIAMENTO ELETTRICO	PARTS FOR ELECTRIC START	COMPOSANTS POUR DÉMARRAGE ÉLECTRIQUE	ELEKTROSTART BESTANDTEILE	
T-3615/C	101	22517855/0	2	PERNO	PIN	PIVOT	BOLZEN
	102	12523000/0	2	RONDELLA	WASHER	RONDELLE	SCHEIBE
	103	12540020/0	2	RONDELLA	WASHER	RONDELLE	SCHEIBE
	104	18120050/0	1	BATTERIA	BATTERY	BATTERIE	BATTERIE
	105	18204110/0	1	CARICA BATTERIA	BATTERY CHARGER	CHARGEUR DE BATTERIE	LADGERÄT
	106	18450050/0	1	INTERRUPTORE	SWITCH	INTERRUPTEUR	SCHALTER
	107	18204190/2	1	CAVO AVVIAMENTO	START CABLE	CABLE DÉMARRAGE	STARTKABEL
			VARIANTE ACCELERATORE	THROTTLE VARIANTS	VARIANTES COMMANDE D'ACCELERATION	ÄNDERUNGEN AUF GASHEBEL	
T-3615/D	151	12291000/0	1	DADO	NUT	ECROU	MUTTER
	152	12581500/0	1	GROWER	GROWER	GROWER	FEDERRING
	153	22171005/0	1	DISTANZIALE	SPACER	ENTRETOISE	DISTANZRING
	154	12521360/0	1	RONDELLA	WASHER	RONDELLE	SCHEIBE
	155	12508100/0	1	RONDELLA ELASTICA	SPRING WASHER	RONDELLE ELASTIQUE	ELASTISCHE SCHEIBE
	156	81007279/1	1	ASS. LEVA+MANOPOLINA	LEVER+KNOB ASS.Y	ENS. LEVIER+POIGNEE	HEBEL+GRIFF SATZ
	157	81007080/0	1	ASSIEME ACCELERATORE	TROTTLE UNIT ASS.Y	ENS. ACCELERATEUR	BESCHLEUNIGER SATZ
	158	12815000/0	1	VITE	SCREW	VIS	SCHRAUBE
	159	14356702/0	1	ETICHETTA (TECUMSEH-HONDA)	LABEL (TECUMSEH-HONDA)	ETIQUETTE (TECUMSEH-HONDA)	ETIKETTE (TECUMSEH-HONDA)
—	14356703/0	1	(B&S)	(B&S)	(B&S)	(B&S)	

Pos. Nr.	Codice Code Kodex	Q.tà Q.ty-Q.tè Menge	Descrizione	Description	Description	Beschreibung
			VARIANTE REGIME FISSO	FIXED SPEED VARIANTS	VARIANTES POUR MODÈLE À REGIME FIXE	ÄNDERUNGEN FÜR MODELLE MIT FIXIERTER DREHZAHL
T-3615/E	201	22601000/0	PROTEZIONE	PROTECTION	PROTECTION	SCHUTZ

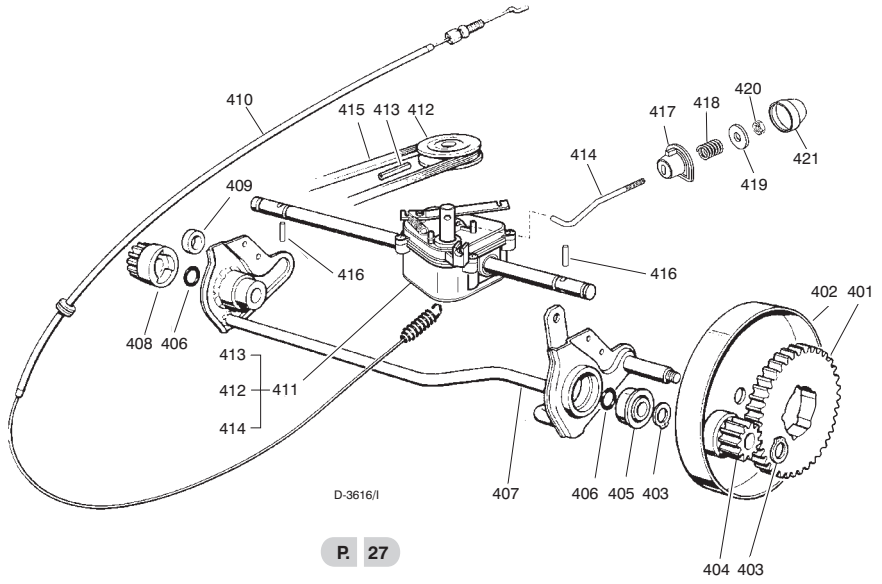
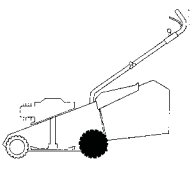
RUOTE E REGOLAZIONE
WHEELS AND HEIGHT ADJUSTING
ROUES ET REGLAGE HAUTER DE COUPE
RÄDER UND SCHNITTHÖHEVERSTELLUNG



D-3656/F

T-3656/F	251	12293200/0	2	DADO	NUT	ECROU	MUTTER
	252	12583500/0	2	GROWER	GROWER	GROWER	FEDERRING
	253	12523070/0	2	RONDELLA	WASHER	RONDELLE	SCHEIBE
	254	22735537/0	2	SETTORE REGOLAZIONE	ADJUSTMENT SECTOR	SECTEUR REGLAGE	VERSTELLUNGSEKTOR
	255	81005082/0	2	SUPP. RUOTA	WHEEL SUPPORT	SUPPORT ROUE	RADHALTER
	256	81003273/0	2	LEVA REGOLAZIONE	ADJUSTMENT LEVER	LEVIER REGLAGE	VERSTELLUNGHEBEL
	257	22171001/0	2	DISTANZIALE	SPACER	ENTRETOISE	DISTANZRING
	258	12793701/0	2	VITE	SCREW	VIS	SCHRAUBE
	258A	12521350/0	2	RONDELLA	WASHER	RONDELLE	SCHEIBE
	259	22034508/0	8	BOCCOLA	BUSH	DOUILLE	BUCHSE
	260	81007326/0	4	RUOTA Ø 170	WHEEL Ø 170	ROUE Ø 170	RAD Ø 170
	261	12523060/0	4	RONDELLA	WASHER	RONDELLE	SCHEIBE
	262	12155000/0	4	DADO	NUT	ECROU	MUTTER
	263	—	—	COPRIMOZZO	HUB CAP	COUVRE-MOYEU	RADKAPPE
	—	22110262/0	2	BIANCO	WHITE	BLANC	WEIßE
	—	22110263/0	2	GIALLO	YELLOW	JAUNE	GELBE
	—	22110264/0	2	ROSSO	RED	ROUGE	ROTE
	264	81003279/2	1	LEVA REGOLAZIONE	ADJUSTMENT LEVER	LEVIER REGLAGE	VERSTELLUNGHEBEL
	265	12789000/0	2	VITE	SCREW	VIS	SCHRAUBE
	266	12154330/0	2	DADO	NUT	ECROU	MUTTER
	267	81007328/0	2	RUOTA Ø 210	WHEEL Ø 210	ROUE Ø 210	RAD Ø 210
	268	—	—	COPRIMOZZO	HUB CAP	COUVRE-MOYEU	RADKAPPE
	—	22110265/0	2	BIANCO	WHITE	BLANC	WEIßE
	—	22110266/0	2	GIALLO	YELLOW	JAUNE	GELBE
	—	22110267/0	2	ROSSO	RED	ROUGE	ROTE

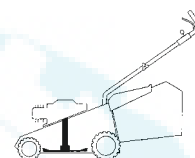
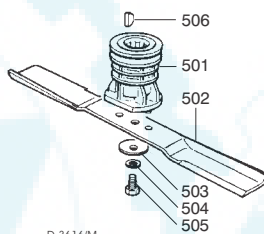
GRUPPO TRAZIONE
REAR DRIVE
GROUPE TRACTION
ANTRIEB



D-3616/I

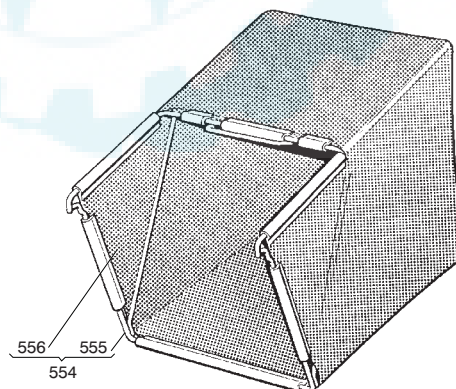
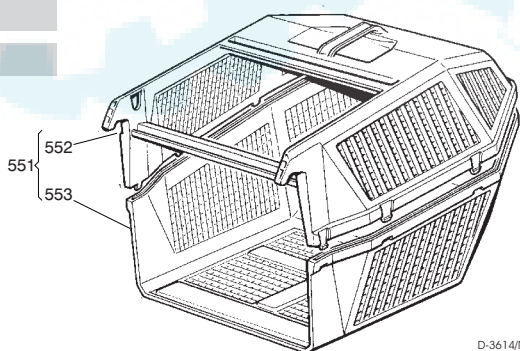
Pos. Nr.	Codice Code Kodex	Q.tà Q.ty-Q.tè Menge	Descrizione	Description	Description	Beschreibung	
T-3616/I	401	22120105/1	2	CORONA	RING GEAR	COURONNE	KRANZ
	402	81006846/0	2	PROTEZIONE RUOTE	WHEEL GUARD	PROTECTION ROUE	RÄDERSCHUTZ
	403	12608600/0	4	SEEGER	SEEGER	SEEGER	SEEGER
	404	22570120/0	1	PIGNONE SINISTRO	LEFT PINION	PIGNON GAUCHE	LINKES RITZEL
	405	22122200/0	2	CUSCINETTO	BEARING	COUSSINET	LAGER
	406	12019900/0	2	ANELLO OR	OR RING	BAGUE OR	RING OR
	407	81001252/1	1	ASSE RUOTE POSTERIORE	REAR WHEELS AXLE	AXE ROUES ARRIERE	HINTERRADACHSE
	408	22570110/0	1	PIGNONE DESTRO	RIGHT PINION	PIGNON DROITE	RECHTES RITZEL
	409	22170800/0	1	DISTANZIALE	SPACER	ENTRETOISE	DISTANZRING
	410	81001143/0	1	ASS. COMANDO TRAZIONE	REAR DRIVE ASS.Y	ENS. COMMANDE TRACTION	ANTRIEBKABEL
	411	81003059/0	1	ASS. GRUPPO TRAZIONE (PLASTICA)	GEAR BOX ASS.Y (PLASTIC)	ENS. GROUPE TRACTION (PLASTIQUE)	ANTRIEBSATZ (KUNSTSTOFF)
	—	81003060/0	1	(ALLUMINIO)	(ALUMINIUM)	(ALUMINIUM)	(ALUMINIUM)
	412	22601904/0	1	PULEGGIA 4 KM/H	PULLEY 4 KM/H	POULIE 4 KM/H	RIEMENSCHLEIBE 4 KM/H
	413	12645705/0	1	SPINA	PIN	GOUPILLE	STIFT
	414	22033280/0	1	ASTA REGOLAZIONE	ADJUSTMENT ROD	TIGE REGLAGE	VERSTELLUNGSTANGE
	415	35063800/0	1	CINGHIA Z 27	BELT Z 27	COURROIE Z 27	RIEMEN Z 27
	416	22753000/0	2	SPINA	PIN	GOUPILLE	STIFT
	417	22041957/0	1	BUSSOLA	BUSH	DOUILLE	BUCHSE
	418	22450063/0	1	MOLLA	SPRING	RESSORT	FEDER
	419	22680009/0	1	RONDELLA	WASHER	RONDELLE	SCHLEIBE
	420	12154510/0	1	DADO	NUT	ECROU	MUTTER
421	22110230/0	1	TAPPO	CAP	BOUCHON	GUMMISTOPFEN	

- GRUPPO COLTELLO
- BLADE ASS.Y
- GROUPE LAME
- MESSERSATZ



T-3618/M	501	22465607/0	1	MOZZO CON PULEGGIA	HUB WITH PULLEY	MOYEU AVEC POULIE	NABE MIT SCHEIBE
	502	81004366/1	1	COLTELLO	BLADE	LAME	MESSER
	—	81004395/1	1	STANDARD	STANDARD	STANDARD	STANDARD
	—	22160400/0	1	ALETTATO	WINGED	AILETTÉE	FLÜGEL
	503	22160400/0	1	RONDELLA ELASTICA	SPRING WASHER	RONDELLE ELASTIQUE	ELASTISCHE SCHEIBE
	504	12523080/0	1	RONDELLA	WASHER	RONDELLE	SCHLEIBE
	505	12735698/0	1	VITE	SCREW	VIS	SCHRAUBE
506	12139100/0	1	LINGUETTA	FEATHER	CLAVETTE	KEIL	

- SACCO RACCOGLIERBA
- GRASS-CATCHER
- BAC DE RAMASSAGE
- GRASFANGKORB



T-3614/N	551	98005000/1	1	SACCO COMPLETO	COMPLETE GRASS-BOX	SAC COMPLET	KOMPLETTER KORB
	552	22486076/0	1	PORTE SUP. SACCO	UPPER GRASS BOX	PARTIE SUP. SAC	OBBERKORB
	553	22486077/0	1	PORTE INF. SACCO	LOWER GRASS BOX	PARTIE INF. SAC	UNTERKORB
	554	98004000/0	1	ASS. SACCO IN TELA	CANVASS GRASSCATCHER	ENSEMBLE SAC EN TOILE	KOMPLETTER SACK
	555	81006408/0	1	TELAIO	CHASSIS	CHÂSSIS	RAHMEN
	556	81002105/2	1	TELA SACCO	FABRIC BOX	TOILE POUR SAC	TUCK FÜR SACK