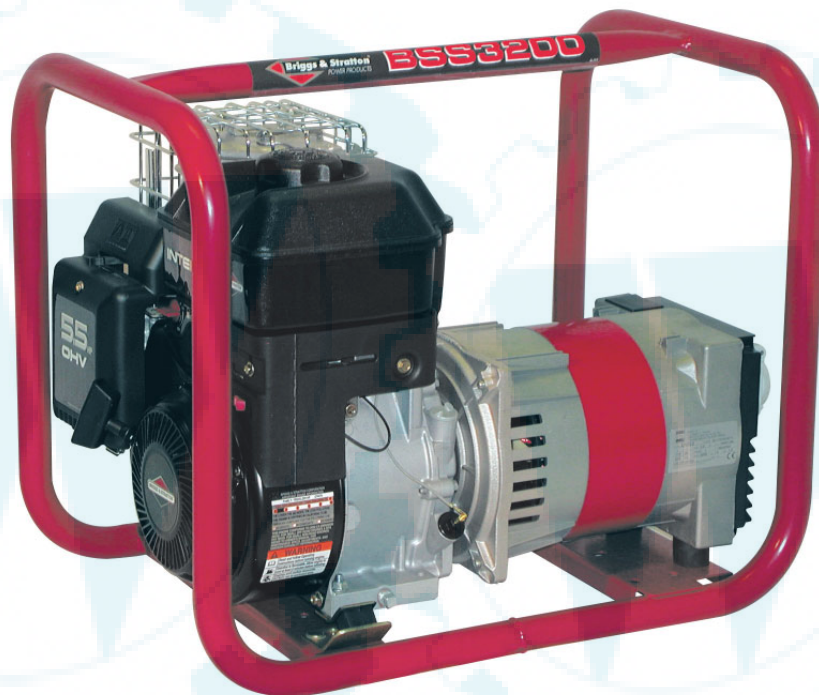




B S S 3 2 0 0

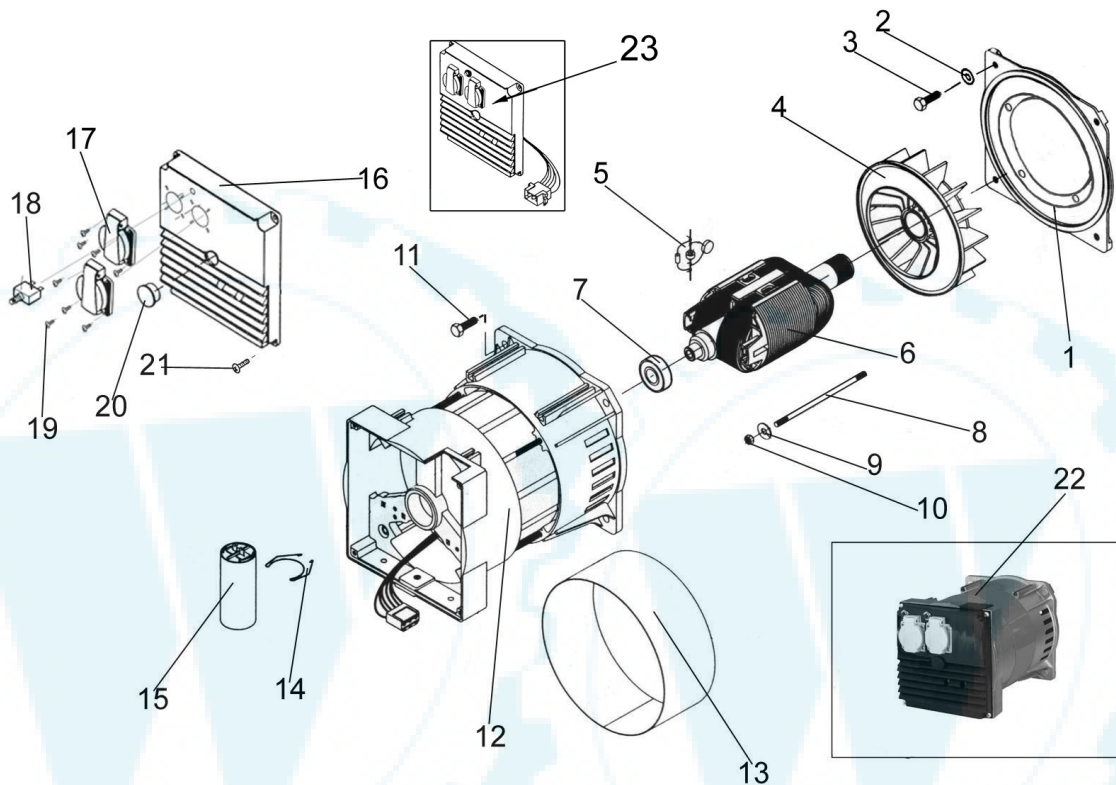
PARTS LIST



Model No. HPP1598-0 BSS3200
Manual No. 102216GS Rev 0



Alternator with Outlet Panel



ITEM	PART ID	PART DESCRIPTION	QTY
1	102051GS	FLANGE PLATE	1
2	102019GS	WASHER SPRING M8 & 5/16"	4
3	102035GS	SCREW SET 5/16"UNF X 3/4"	4
4	102073GS	ROTOR FAN SINCRO	1
5	102054GS	DIODE AND VARISTOR SET	2
6	102080GS	ROTOR ASSY SINCRO EP3.0	1
7	102038GS	ROTOR BEARING	1
8	102074GS	ROTOR BOLT	1
9	102020GS	WASHER FLAT M8 & 5/16"	1
10	102017GS	NUT NYLOCK M8-1.25 TYPE T	1
11	102035GS	SCREW SET 5/16"UNF X 3/4"	4
12	102078GS	STATOR ASSY SINCRO EP3.0	1
13	102094GS	STATOR COVER BAND EP3.0	1
14	102083GS	CAPACITOR CLIP	1
15	102277GS	CAPACITOR 20UF	1
16	102075GS	OUTLET PANEL BLANK	1
17	102030GS	SOCKET OUTLET G/S	1
18	102049GS	CIRCUIT BREAKER 12A	1
19	102040GS	SCREW PLASTITE PPHD NO6 * 3/8"	8
20	102085GS	END CAP PLASTIC PLUG	1
21	102087GS	SCREW MC PPHD M5*10MM	4
22	102064GS	ALTERNATOR SINCRO EP3.0 G/S	1
23	102093GS	OUTLET PANEL COMPLETE EP3.0	1

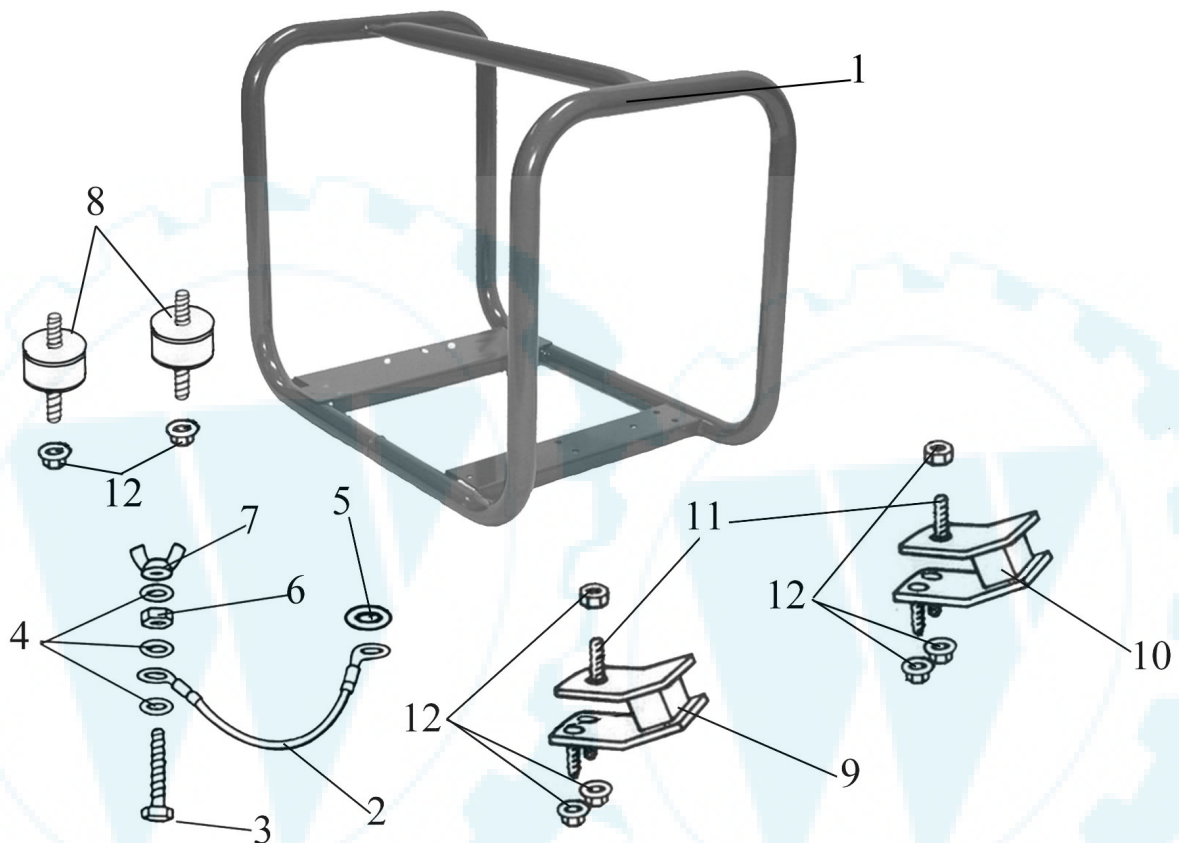
Model No. HPP1598-0

PAGE 2 OF 4

Ihr Ersatzteilspezialist im Internet



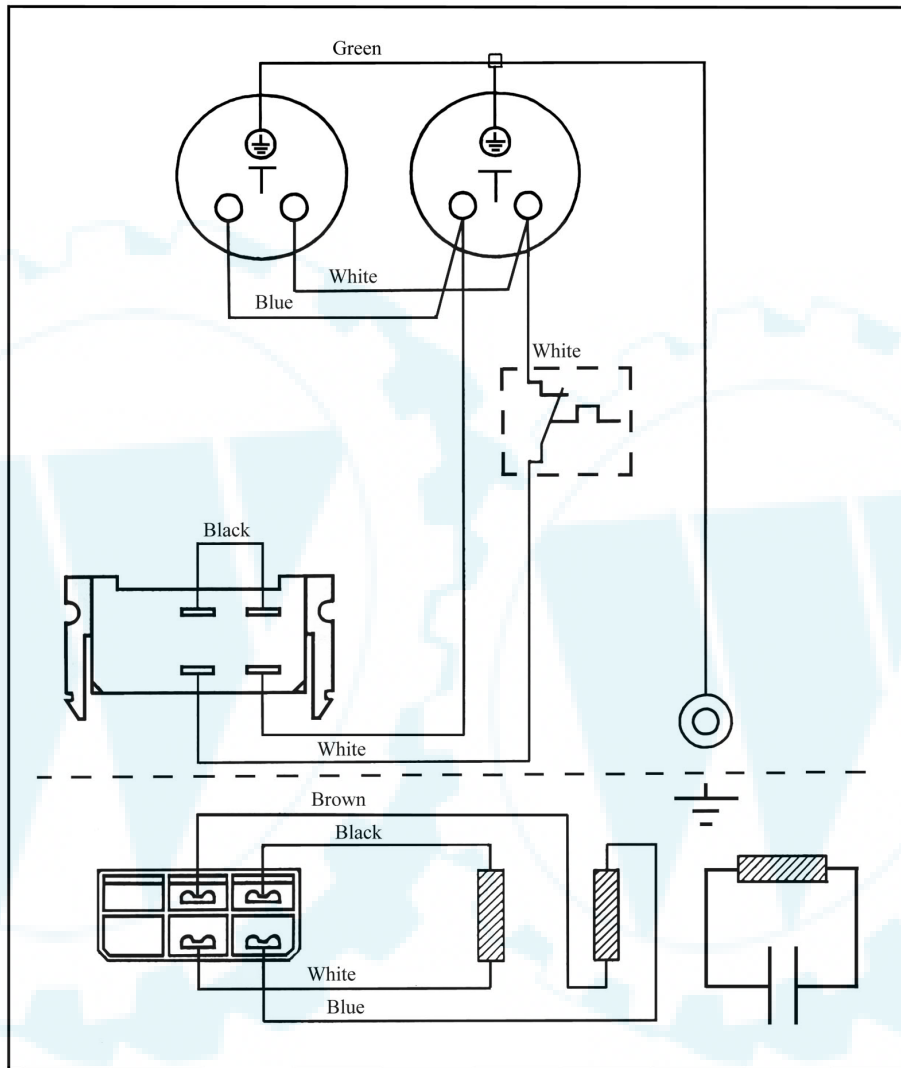
Frame Mounts and EPA



ITEM	PART ID	PART DESCRIPTION	QTY
1	102214GS	CRADLE RED	1
2	102050GS	LEAD EARTH ASSY 145MM	1
3	102037GS	SCREW SET M6-1.0X25MM PLATED	1
4	102021GS	WASHER SHAKEPROOF 1/4" & M6 INT	3
5	102024GS	WASHER SHAKEPROOF M8 INT	1
6	102028GS	NUT FULL M6-1.0	1
7	102036GS	NUT WING M6-1.0	1
8	102034GS	VIBRATION MOUNT 32MM DIAMETER	2
9	102031GS	VIBRATION MOUNT 45 DEGREE HARD	1
10	102033GS	VIBRATION MOUNT 45 DEGREE SOFT	1
11	102026GS	SCREW SET	2
12	102029GS	NUT FLANGE M8-1.25	8



Panel Wiring Diagram



RESISTANCE VALUES AT 20 °C
 ROTOR 1.8 OHMS
 POWER 2.1 OHMS
 EXCITATION 4.0 OHMS

Decal & Manual Items *Not Shown

PART ID	PART DESCRIPTION	QTY
102076GS	DECAL ELECTRICAL HAZARD	1
102215GS	DECAL BSS3200 B & S 350*80MM	2
102077GS	DECAL WARNING READ MANUAL	1
102041GS	DECAL CAUTION HOT	1
102048GS	DECAL GND	1
102065GS	MANUAL OWNERS BS2012	1

Model No. HPP1598-0

PAGE 4 OF 4