



# G-Force 1400

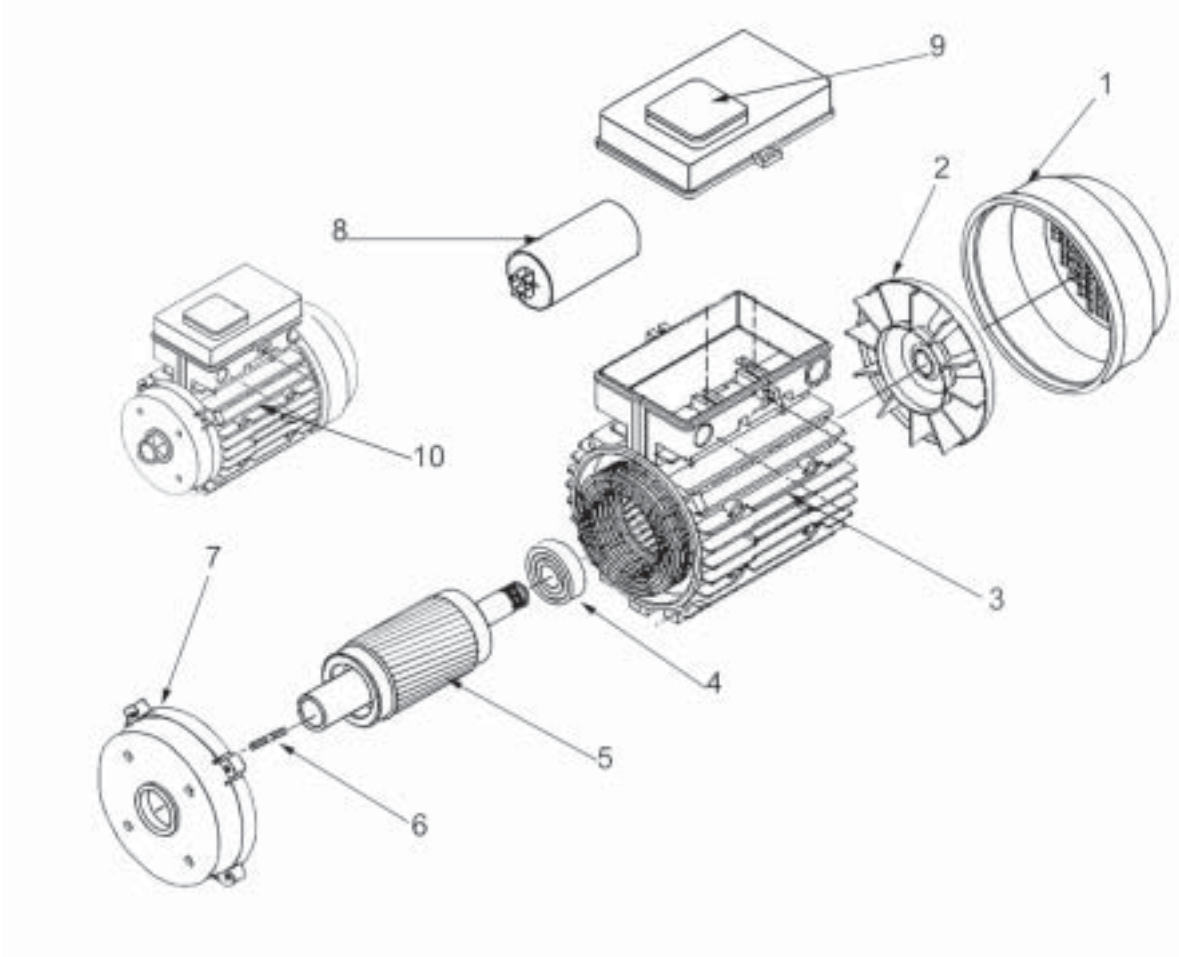
## PARTS LIST



Model No. 1509-3 G-Force 1400  
Manual No. 102685GS Rev 0



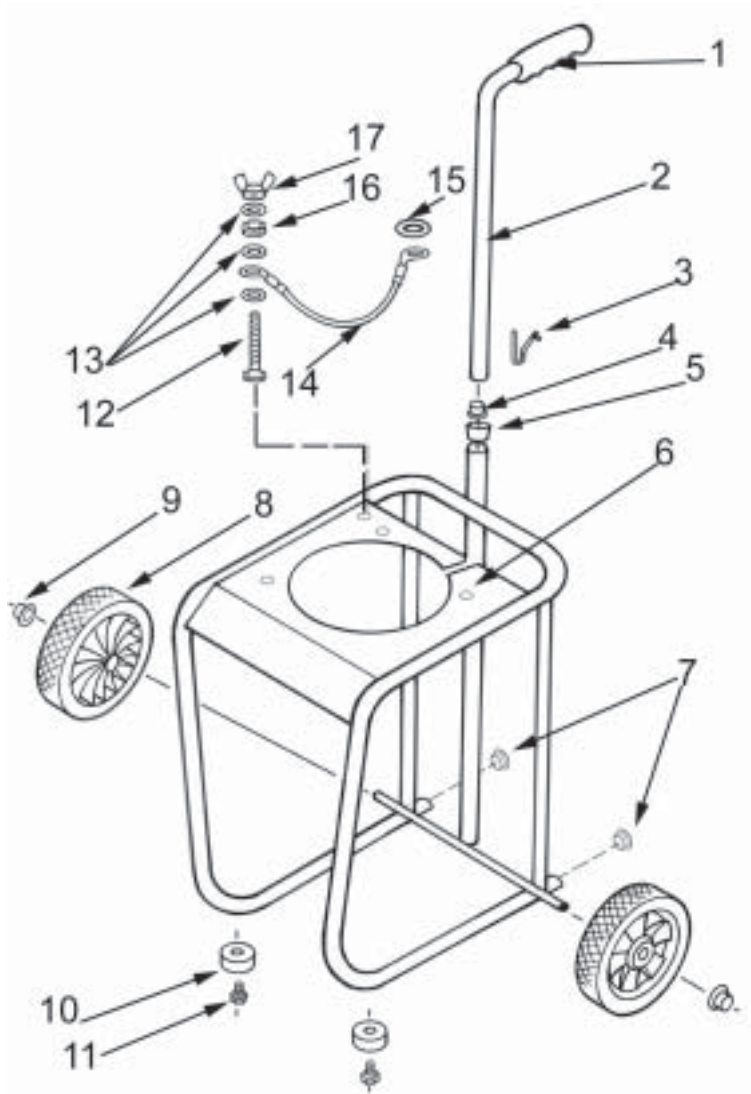
## Alternator & Outlet Panel



ITEM	PARTID	PARTDESCRIPTION	QTY
1	102593GS	FAN COVER SOGA 1.2KW	1
2	102594GS	FAN SOGA 1.2KW	1
3	102595GS	STATOR ASSEMBLY SOGA 1.2KW	1
4	102575GS	BEARING ROTOR TEKEL 1KW	1
5	102596GS	ROTOR ASSEMBLY SOGA 1.2KW	1
6	102597GS	STUD 3/8" UNF * 1.5"	1
7	102598GS	FLANGE PLATE SOGA 1.2KW	1
8	102293GS	CAPACITOR 40UF	1
9	102030GS	SOCKET OUTLET	1
10	102570GS	ALTERNATOR SOGA 1.2KW VERTICAL	1



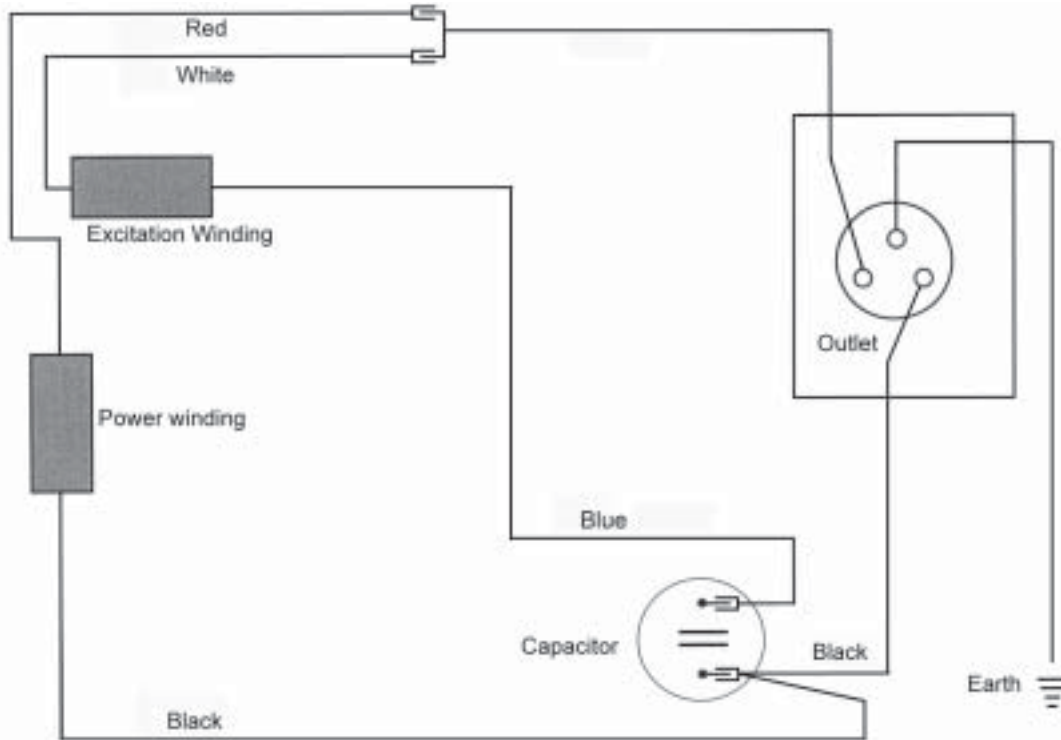
## Frame and Fittings



ITEM	PARTID	PARTDESCRIPTION	QTY
1	102625GS	GRIP BLACK (HANDLE GRIP)	1
2	102622GS	HANDLE (VT FRAME)	1
3	102584GS	SPRING CLIP 7/8" TUBE	1
5	102624GS	ANTI RATTLE RING	1
6	102621GS	CRADLE YELLOW	1
7	102623GS	PLUG BLACK 7/8" / 18SWG TUBE	3
8	102461GS	WHEEL 7"	2
9	102462GS	PUSHNUT	2
10	102463GS	VIBRATION MOUNT EG SERIES	2
11	102229GS	SCREW MACHINE HHD M8-1.25*16MM	2
12	102037GS	SCREW SET M6-1.0X25MM PLATED	1
13	102021GS	WASHER SHAKEPROOF 1/4" & M6 INT	3
14	102378GS	LEAD EARTH ASSY 125MM	1
15	102024GS	WASHER SHAKEPROOF M8 INT	1
16	102028GS	NUT FULL M6-1.0	1
17	102036GS	NUT WING M6-1.0	1



## Panel Wiring Diagram



### RESISTANCE VALUES AT 20 °C

POWER 2.1 OHMS  
EXCITATION 3.6 OHMS

## Decal & Manual Items \*Not Illustrated

PART ID	PART DESCRIPTION	QTY
102077GS	DECAL WARNING READ MANUAL	1
102076GS	DECAL ELECTRICAL HAZARD	1
102041GS	DECAL CAUTION HOT	1
102686GS	DECAL G-FORCE 1400	1
102048GS	DECAL GND	1
102590GS	MANUAL GENERIC-GFORCE	1