

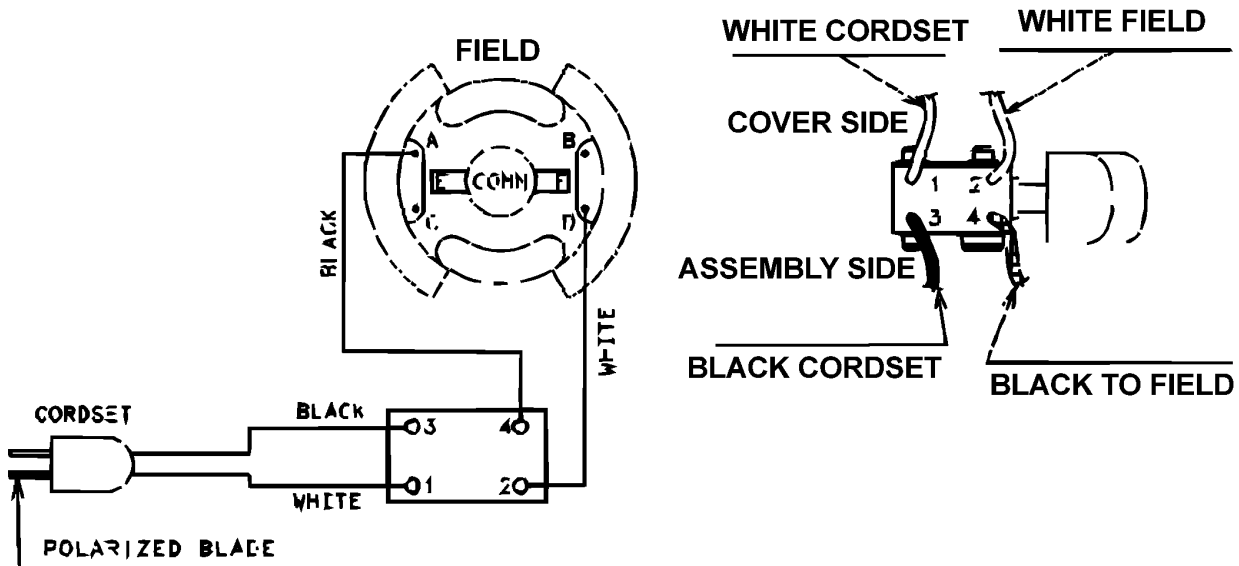
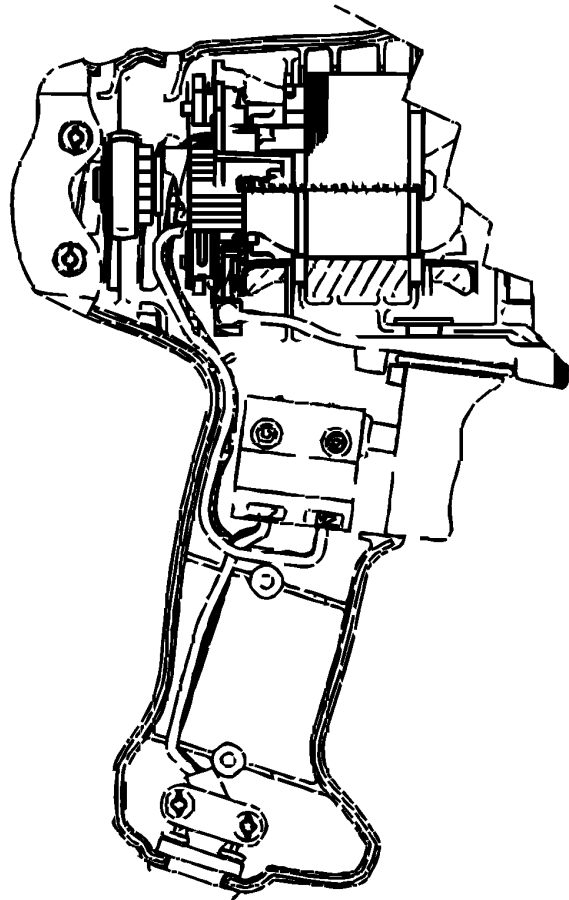
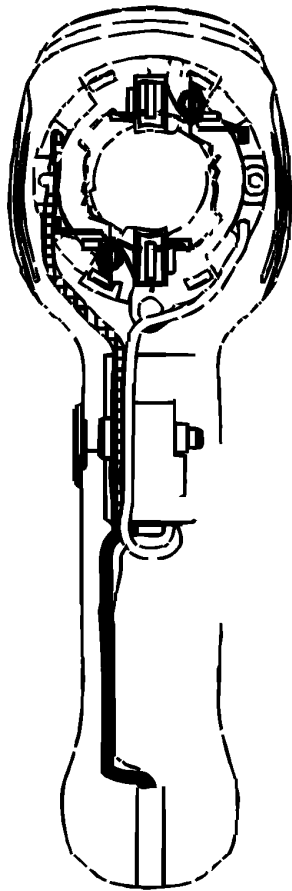
# BOHRHAMMER

# DR600-----C

## TYPE 3



| Pos. Nr | Ersatzteilnummer | Beschreibung | Preis              | Variants |
|---------|------------------|--------------|--------------------|----------|
| 1       | 1                | 386904-05    | GEHAEUSE           |          |
| 2       | 1                | 387966-01    | GETRIEBE + SPINDEL |          |
| 4       | 1                | 386574-00    | UNTERLEGSCHLEIBE   |          |
| 6       | 1                | 87348-00     | BOHRF.SCHLUESSEL   |          |
| 7       | 1                | 385986-01    | PLATTE             |          |
| 8       | 1                | 386963-00    | GETRIEBE + ZW.GETR |          |
| 9       | 1                | 385992-01    | ANKER              |          |
| 10      | 1                | 37653-00     | SPRENGRING         |          |
| 11      | 1                | 148902-00    | UNTERLEGSCHLEIBE   |          |
| 12      | 1                | 158478-00    | LAGERHUELSE        |          |
| 13      | 1                | 37381-00     | FIBERSCHLEIBE      |          |
| 14      | 1                | 385848-00    | FELD               |          |
| 15      | 1                | 385995-00    | RING               |          |
| 16      | 1                | 606398-00    | HEBEL              |          |
| 17      | 1                | 606191-01    | SCHALTER           |          |
| 18      | 1                | 330073-98    | KORDEL (KABEL)     |          |
| 19      | 1                | 385693-00    | KABELTUELLE        |          |
| 20      | 1                | 380414-00    | KABELKLEMME        |          |
| 21      | 7                | 330019-03    | SCHRAUBE           |          |
| 22      | 2                | 330019-08    | SCHRAUBE           |          |
| 23      | 1                | 604084-00    | TYPENSCHILD        |          |
| 24      | 1                | 606251-01    | SCHILD             |          |
| 25      | 2                | 385733-01    | KOEHLE             |          |
| 26      | 1                | 386909-01    | GETR.GEH.          |          |
| 27      | 1                | 39654-00     | HALTER             |          |
| 29      | 1                | 605256-02    | SCHRAUBE           |          |
| 30      | 4                | 330019-15    | SCHRAUBE           |          |
| 32      | 1                | 385701-04    | KNOPF              |          |
| 40      | 1                | 330034-06    | BOHRF.SCHLUESSEL   |          |
| 40      | 1                | 621400-00    | BOHRF.SCHL. 13MM   |          |
| 41      | 1                | 376556-11    | GRIFF ZSB          |          |
| 42      | 1                | 385997-00    | WELLE ZSB          |          |
| 43      | 1                | 385997-01    | WELLE ZSB          |          |
| 800     | 1                | 429698-00    | FETT               |          |
| 861     | 1                | 390617-01    | KOFFER             |          |



CONNECTION DIAGRAM 386003-00

BULLETIN NO 4138

BLACK & DECKER (U S ) INC

PRODUCT SERVICE DIVISION

HAMPSTEAD, MARYLAND 21074 (JUN99-TS)