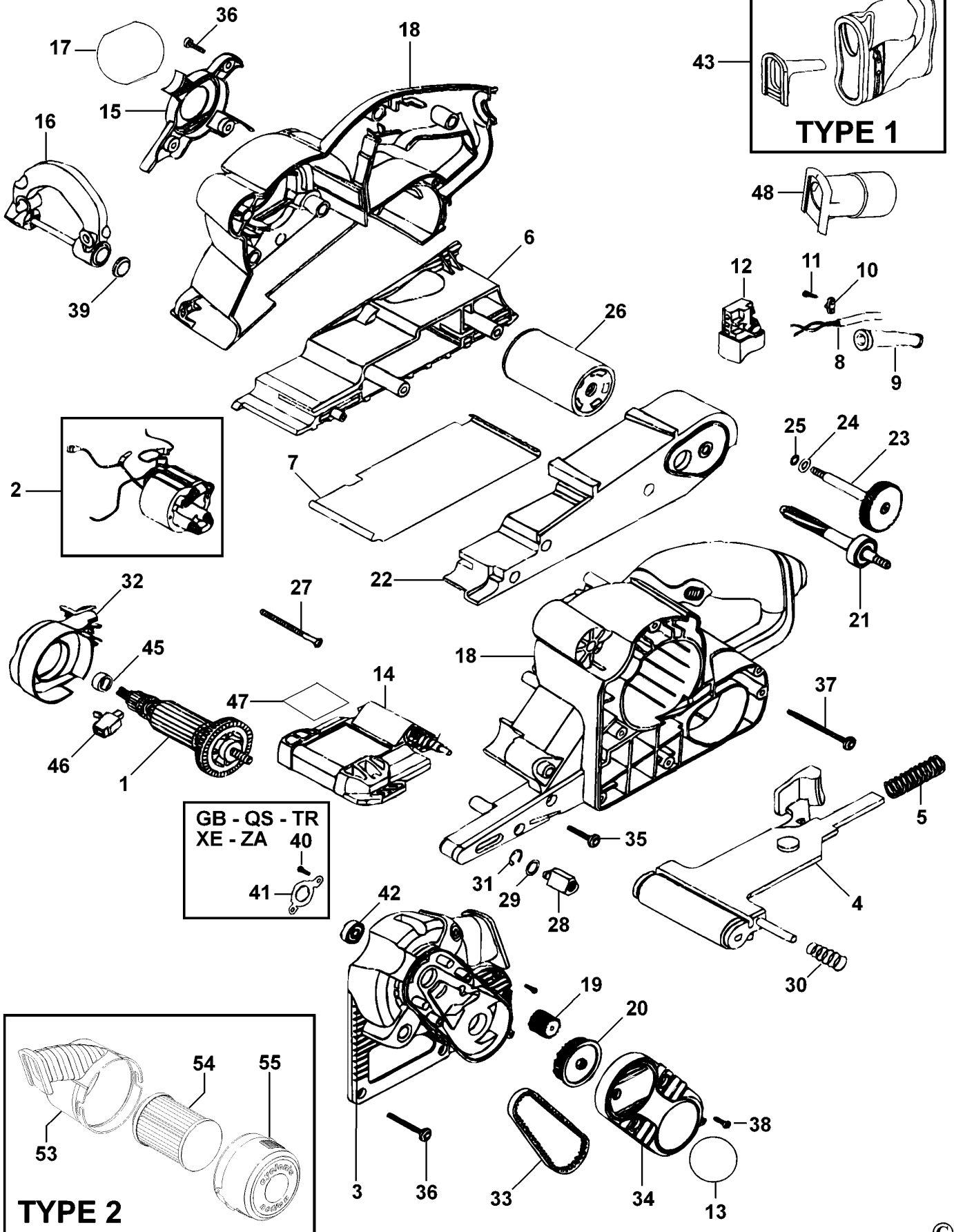


BANDSCHLEIFER

KA88-----A

TYPE 1 - 2



BANDSCHLEIFER

KA88-----A

TYPE 1 - 2



| Pos. Nr | Ersatzteilnummer | Beschreibung | Preis | Variants | |
|---------|------------------|--------------|-----------------|----------|----|
| 1 | 1 | 590275-00 | ANKER 230V | | |
| 2 | 1 | 590276-00 | FELD 230V | | |
| 3 | 1 | 587202-00 | ABDECKUNG | | |
| 4 | 1 | 589384-00 | CARRIER SA | | |
| 5 | 1 | 587248-00 | FEDER | | |
| 6 | 1 | 587207-00 | ABDECKUNG | | |
| 7 | 1 | 587249-00 | SCHLEIFPLATTE | | |
| 8 | 1 | 589164-00 | KABELSATZ | | GB |
| 8 | 1 | 330080-60 | KABEL ZSB | | TR |
| 8 | 1 | 330080-60 | KABEL ZSB | | ZA |
| 8 | 1 | 330080-60 | KABEL ZSB | | QS |
| 8 | 1 | 330080-06 | KABELSATZ | | XE |
| 8 | 1 | 330120-21 | KABELSATZ | | KR |
| 9 | 1 | 148481-00 | KABELTUELLE | | |
| 10 | 1 | 380414-00 | KABELKLEMME | | ZA |
| 10 | 1 | 380414-00 | KABELKLEMME | | QS |
| 10 | 1 | 380414-00 | KABELKLEMME | | GB |
| 10 | 1 | 380414-00 | KABELKLEMME | | TR |
| 10 | 1 | 380414-00 | KABELKLEMME | | XE |
| 10 | 1 | 329301-00 | KABELKLEMME | | KR |
| 11 | 2 | 330065-06 | SCHRAUBE | | KR |
| 11 | 2 | 370748 | SCHRAUBE | | ZA |
| 11 | 2 | 370748 | SCHRAUBE | | QS |
| 11 | 2 | 370748 | SCHRAUBE | | GB |
| 11 | 2 | 370748 | SCHRAUBE | | TR |
| 11 | 2 | 370748 | SCHRAUBE | | XE |
| 12 | 1 | 587233-00 | SCHALTER ZSB | | |
| 13 | 1 | 588090-00 | AUFKLEBER | | GB |
| 13 | 1 | 588090-00 | AUFKLEBER | | ZA |
| 13 | 1 | 588090-00 | AUFKLEBER | | QS |
| 13 | 1 | 90524253 | AUFKLEBER | | XE |
| 13 | 1 | 90502937 | AUFKLEBER | | KR |
| 13 | 1 | 90510582 | AUFKLEBER | | TR |
| 14 | 1 | 590279-00 | DECKEL ZSB | | |
| 15 | 1 | 587209-00 | RAHMEN | | |
| 16 | 1 | 590280-00 | GRIFF ZSB | | |
| 17 | 1 | 477368-00 | TYPENSCHILD | | |
| 18 | 1 | 590278-00 | GEHAEUSEPAAR | | |
| 19 | 1 | 587261-00 | ANTRIEBSPULLEY | | |
| 20 | 1 | 587262-00 | ANTRIEBSPULLEY | | |
| 21 | 1 | 588489-00 | WELLE ZSB | | |
| 22 | 1 | 588478-00 | ANBAUHALTERUNG | | |
| 23 | 1 | 588477-00 | ANTRIEBSWELLE | | |
| 24 | 1 | 587230-00 | WASHER THRUST | | |
| 25 | 1 | 587229-00 | WASHER THRUST | | |
| 26 | 1 | 588491-00 | ANTRIEBSROLLE | | |
| 27 | 2 | 330065-21 | SCHRAUBE | | |
| 28 | 1 | 587224-00 | KNOPF ZSB | | |
| 29 | 1 | 587226-00 | UNTERLEGSCHEIBE | | ZA |
| 29 | 1 | 587226-00 | UNTERLEGSCHEIBE | | QS |
| 29 | 1 | 587226-00 | UNTERLEGSCHEIBE | | GB |
| 29 | 1 | 587226-00 | UNTERLEGSCHEIBE | | TR |
| 29 | 1 | 587226-00 | UNTERLEGSCHEIBE | | XE |
| 29 | 4 | 148902-00 | UNTERLEGSCHEIBE | | KR |
| 30 | 1 | 477505-00 | FEDER | | |
| 31 | 1 | 058836-00 | HALTER | | ZA |
| 31 | 1 | 058836-00 | HALTER | | QS |
| 31 | 1 | 058836-00 | HALTER | | GB |

Type 1 - KATR

BANDSCHLEIFER

KA88-----A

TYPE 1 - 2



| | | | | | |
|----|----|-----------|--------------------|----|--------|
| 31 | 1 | 058836-00 | HALTER | TR | |
| 31 | 1 | 058836-00 | HALTER | XE | |
| 31 | 1 | 122198-00 | HALTER | KR | |
| 32 | 1 | 587203-00 | ABDECKUNG | | |
| 33 | 1 | 587263-00 | RIEMEN | | |
| 34 | 1 | 587204-00 | RIEMENDECKEL | | |
| 35 | 3 | 330065-16 | SCHRAUBE | | |
| 36 | 11 | 330065-08 | SCHRAUBE | | |
| 37 | 2 | 330065-12 | SCHRAUBE | | |
| 38 | 5 | 330065-06 | SCHRAUBE | | |
| 39 | 1 | 590465-00 | EINSATZ | | |
| 40 | 2 | 330065-06 | SCHRAUBE | ZA | |
| 40 | 2 | 330065-06 | SCHRAUBE | QS | |
| 40 | 2 | 330065-06 | SCHRAUBE | GB | |
| 40 | 2 | 330065-06 | SCHRAUBE | TR | |
| 40 | 2 | 330065-06 | SCHRAUBE | XE | |
| 41 | 1 | 587260-00 | CARRIER | ZA | |
| 41 | 1 | 587260-00 | CARRIER | QS | |
| 41 | 1 | 587260-00 | CARRIER | GB | |
| 41 | 1 | 587260-00 | CARRIER | TR | |
| 41 | 1 | 587260-00 | CARRIER | XE | |
| 42 | 1 | 573119-02 | KUGELLAGER | | |
| 43 | 1 | 588562-01 | STAUBBEUTEL ZSB | ZA | TYPE 1 |
| 43 | 1 | 588562-01 | STAUBBEUTEL ZSB | QS | TYPE 1 |
| 43 | 1 | 588562-01 | STAUBBEUTEL ZSB | GB | TYPE 1 |
| 43 | 1 | 588562-01 | STAUBBEUTEL ZSB | KR | TYPE 1 |
| 43 | 1 | 588562-01 | STAUBBEUTEL ZSB | TR | TYPE 1 |
| 43 | 1 | 588562-00 | STAUBBEUTEL | XE | TYPE 1 |
| 45 | 1 | 574853-04 | KUGELLAGER | ZA | |
| 45 | 1 | 574853-04 | KUGELLAGER | QS | |
| 45 | 1 | 574853-04 | KUGELLAGER | GB | |
| 45 | 1 | 574853-04 | KUGELLAGER | TR | |
| 45 | 1 | 574853-04 | KUGELLAGER | XE | |
| 45 | 1 | 573119-00 | KUGELLAGER | KR | |
| 46 | 2 | 588563-01 | KOHLE + HALTER ZSB | | |
| 47 | 1 | 587266-00 | SCHILD | | |
| 48 | 1 | 587843-00 | VAKUUMADAPTER | | |
| 53 | 1 | 90502679 | DECKEL ZSB | | TYPE 2 |
| 54 | 1 | 90501441 | FILTER | | TYPE 2 |
| 55 | 1 | 90501537 | TANK | | TYPE 2 |