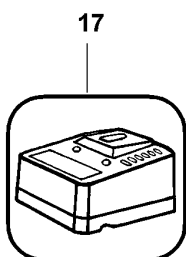
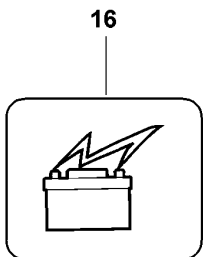
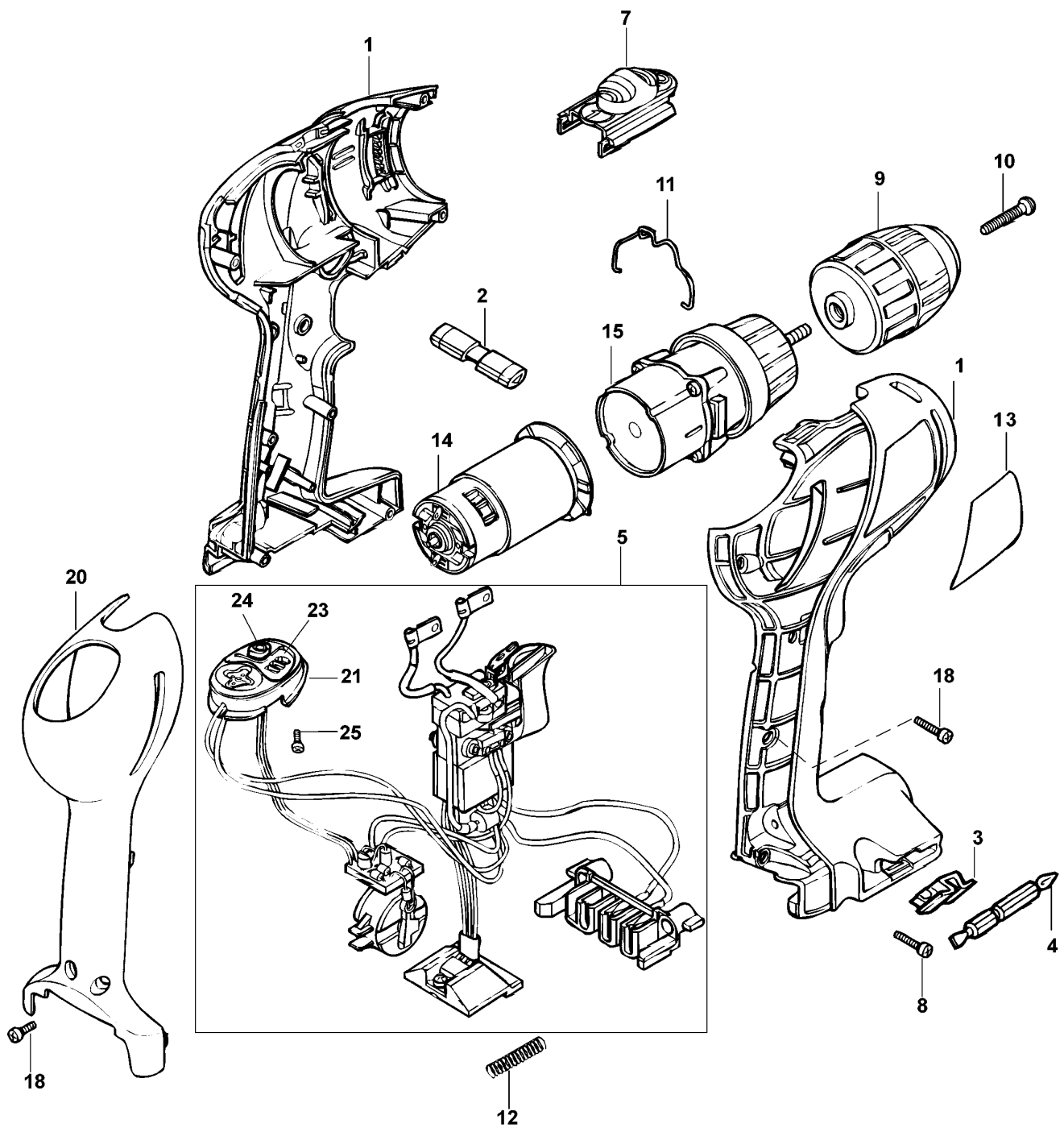


# AKKU-BOHRMASCHINE

## HP122K----A

## TYPE 1



# AKKU-BOHRMASCHINE

## HP122K----A TYPE 1



| Pos. Nr | Ersatzteilnummer | Beschreibung | Preis             | Variants |
|---------|------------------|--------------|-------------------|----------|
| 1       | 1                | 5100028-02   | GEHAEUSEPAAR      |          |
| 2       | 1                | 5100031-00   | ANTRIEB           |          |
| 3       | 1                | 148354-03    | HALTER            |          |
| 4       | 1                | 419581-01    | KLINGE            |          |
| 5       | 1                | 5100005-02   | SCHALTER          |          |
| 7       | 1                | 5100039-00   | ANTRIEB           |          |
| 8       | 6                | 311993-00    | SCHRAUBE          |          |
| 9       | 1                | 419233-00    | SPANNBOHRFUTTER   |          |
| 10      | 1                | 149518-01    | SCHRAUBE          |          |
| 11      | 1                | 5100040-00   | DRAHT             |          |
| 12      | 2                | 5100035-00   | FEDER             |          |
| 13      | 1                | 5100047-02   | SCHILD            |          |
| 14      | 1                | 419701-04    | MOTOR             |          |
| 15      | 1                | 419728-12    | GETR.GEH.         |          |
| 16      | 1                | 499948-03    | ACCU-PACK         |          |
| 17      | 1                | 5100235-04   | LADEGERAET        | GB       |
| 17      | 1                | 90501635     | LADEGERAET (EURO) | QW       |
| 18      | 3                | 498511-00    | SCHRAUBE          |          |
| 20      | 1                | 5100032-02   | GEHAEUSE          |          |
| 21      | 1                | 5100003-02   | GEHAEUSE          |          |
| 23      | 1                | 5100017-00   | SCHILD            |          |
| 24      | 1                | 5100049-00   | PLATTE            |          |
| 25      | 2                | 5100060-00   | SCHRAUBE          |          |