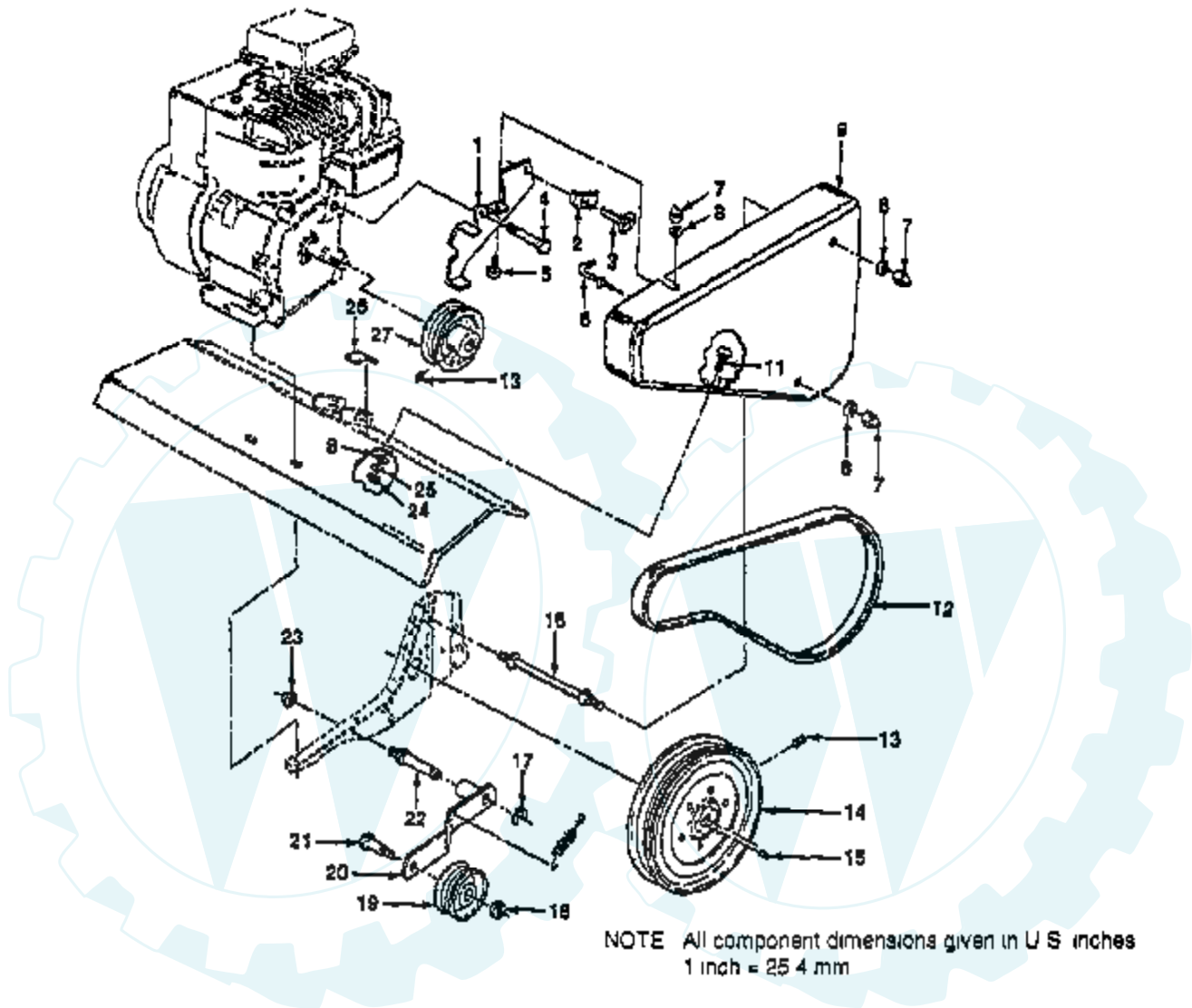
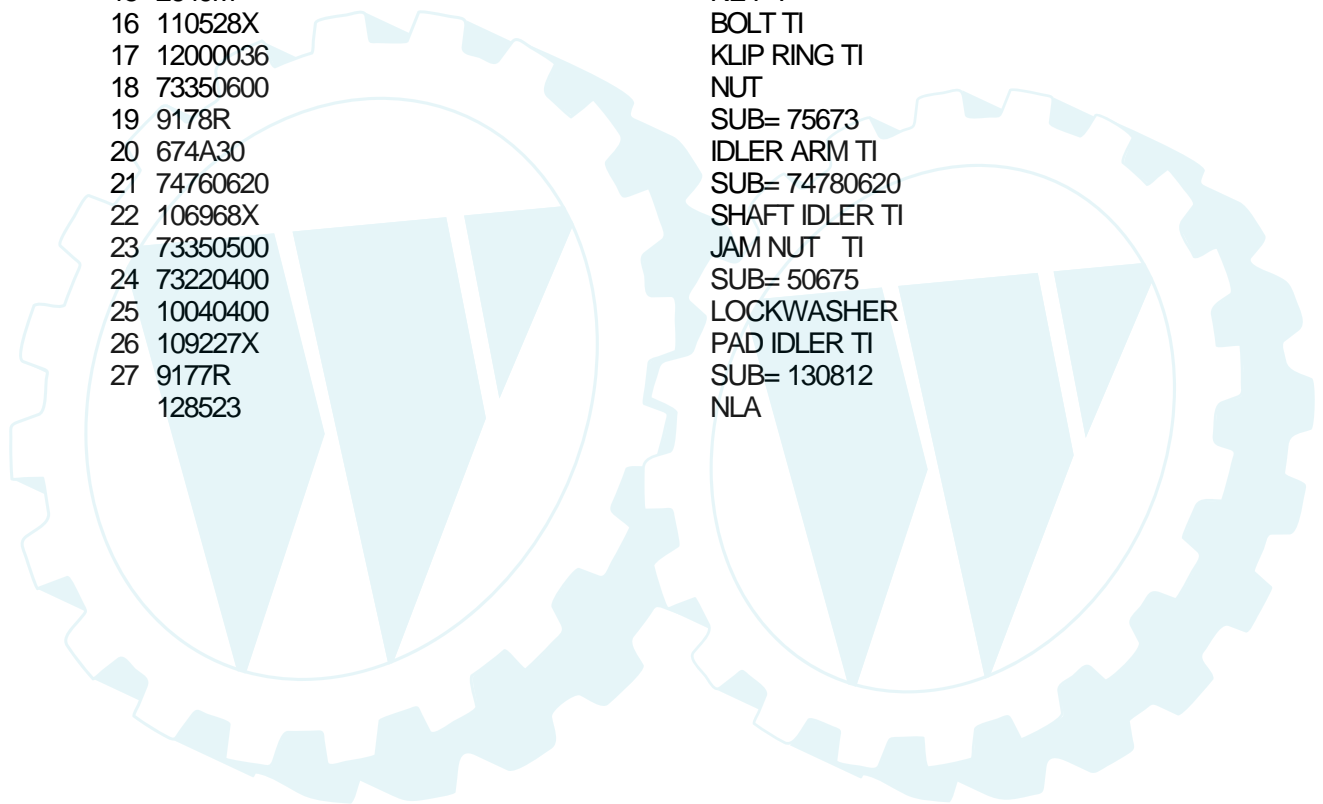


5 HP TILLER - - MODEL NUMBER TF500A
BELT GUARD AND PULLEY ASSY

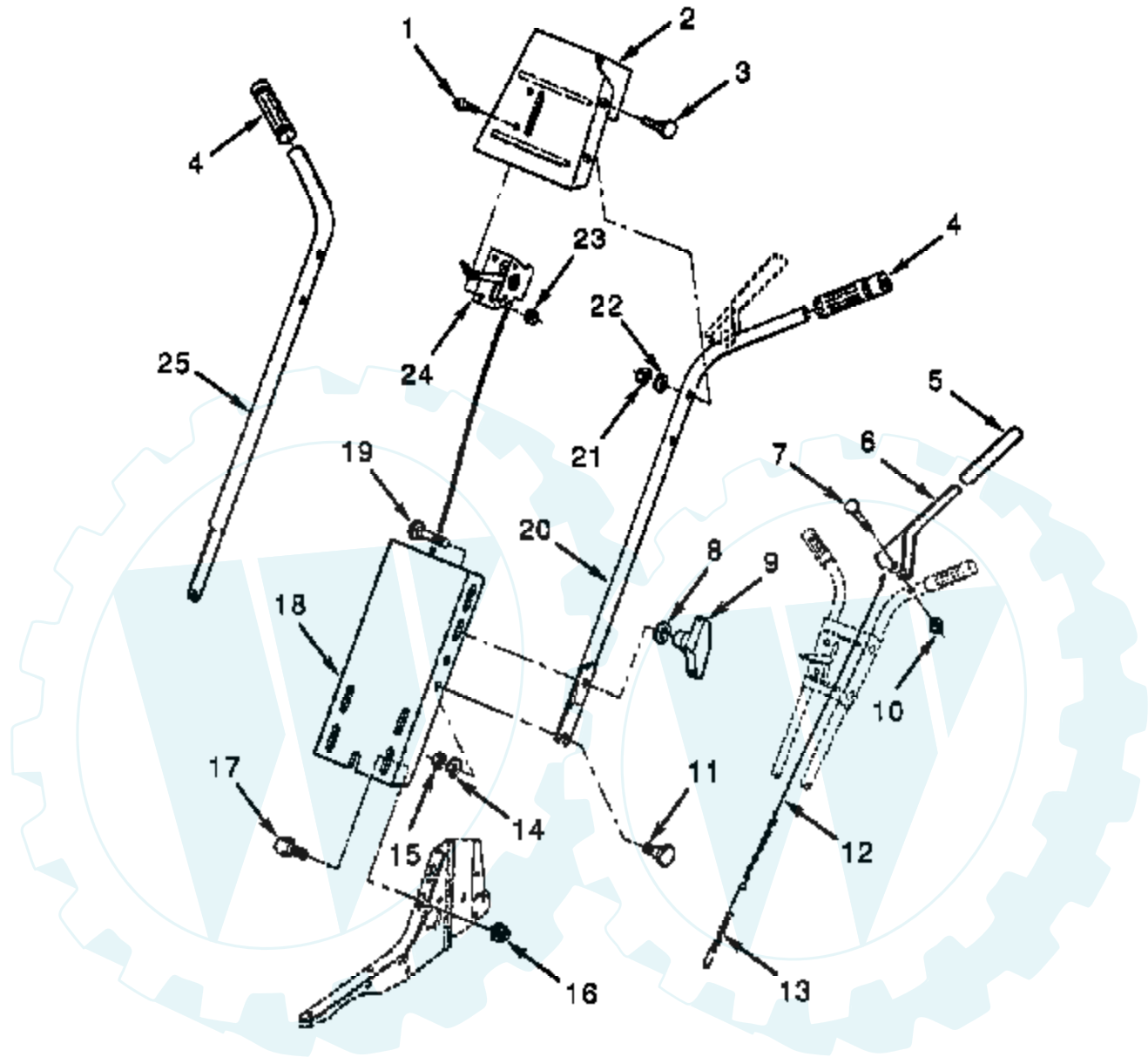


Ref #	Part Number	Qty	Description
1	121313X		SUB= 159233
2	9484R		CONDIUT CLIP T
3	86777		SUB= 750097
4	74770812		SCREW
5	721240404		SUB= 72140404
6	121463X		KEEPER BELT
7	104213X		NUT-CAP TI
8	19091016		WASHER
9	121612X419		BELT GUARD
11	72140405		BOLT T
12	9180R		V BELT STD
13	23230506		SET SCREW
14	9175R		TRANS SHEAVE RT
15	2649M		KEY T
16	110528X		BOLT TI
17	12000036		KLIP RING TI
18	73350600		NUT
19	9178R		SUB= 75673
20	674A30		IDLER ARM TI
21	74760620		SUB= 74780620
22	106968X		SHAFT IDLER TI
23	73350500		JAM NUT TI
24	73220400		SUB= 50675
25	10040400		LOCKWASHER
26	109227X		PAD IDLER TI
27	9177R		SUB= 130812
	128523		NLA



5 HP TILLER -- MODEL NUMBER TF500A

HANDLE ASSEMBLY

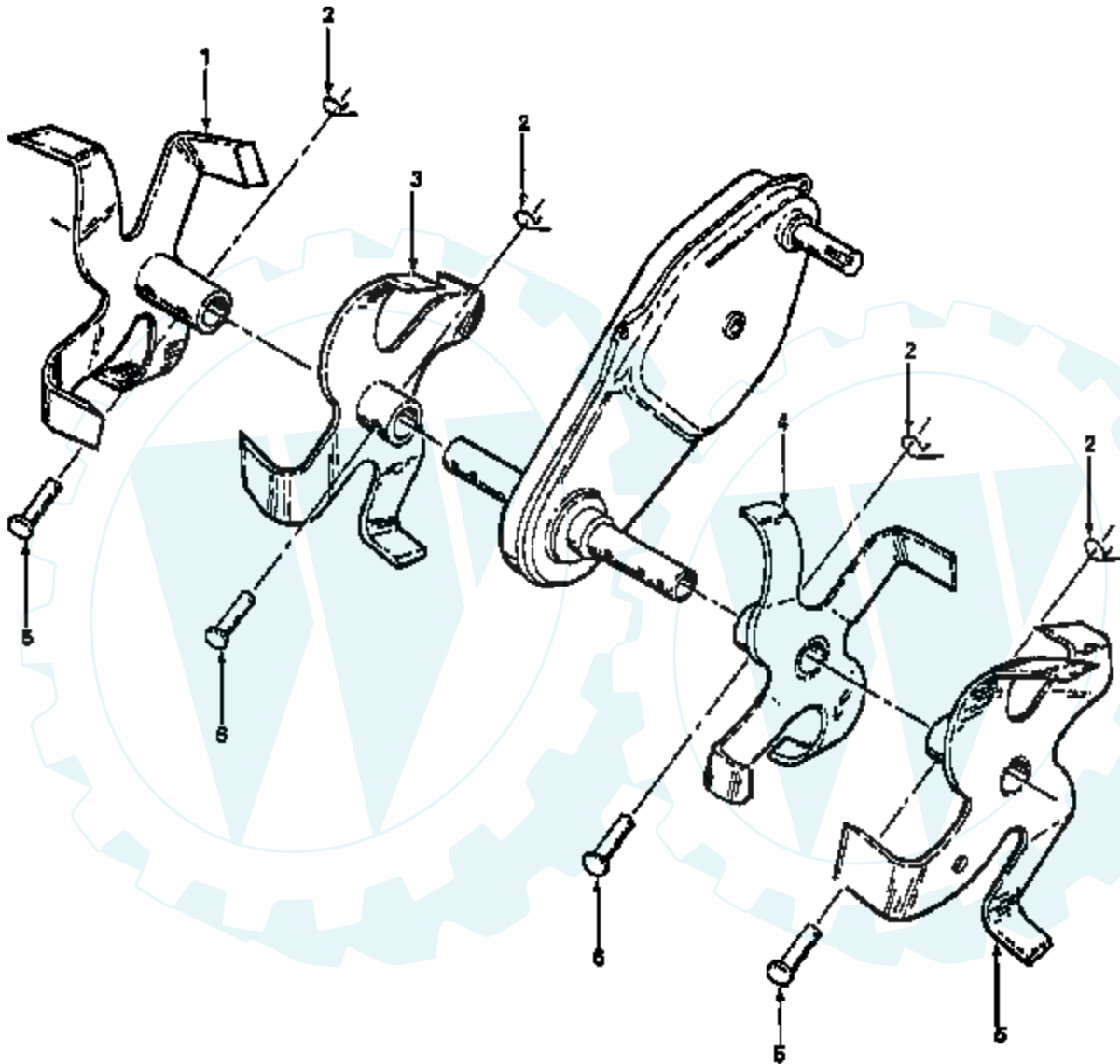


NOTE: All component dimensions given in U.S. inches
1 inch = 25.4 mm

Ref #	Part Number	Qty	Description
1	71091008		SCREW
2	127046X419		"BRKT,HANDLE"
3	72140512		BOLT
4	9266R		SUB= 624A78
5	8206H		GRIP T
6	3069J		SUB= 164937
7	74760524		BOLT.HEX.5/16-1.5
8	19121414		WASHER
9	63688		SUB= 136376
10	1685H		SUB= 68478
11	471J		BOLT CT
12	3067J		SUB= 100382K
13	3070J		SPRING EXT TI
14	10040500		LOCKWASHER
15	73220500		NUT.HEX.5/16-18
16	98000129		NUT
17	72140506		BOLT
18	2626J419		"PANEL,HANDLE"
19	72110510		BOLT
20	2621J		SUB= 154127
21	73680500		SUB= 73690500
22	19111116		WASHER
23	73731000		NUT
24	110531X		THROTTLE TI
25	2622J		SUB= 159764
	128522		DECAL, LOGO
	121751X		DECAL, THROTTLE
	110614X		DECAL TI
	110613X		DECAL TI
	128521		OWNER'S MANUAL

5 HP TILLER - - MODEL NUMBER TF500A

TINE ASSEMBLY

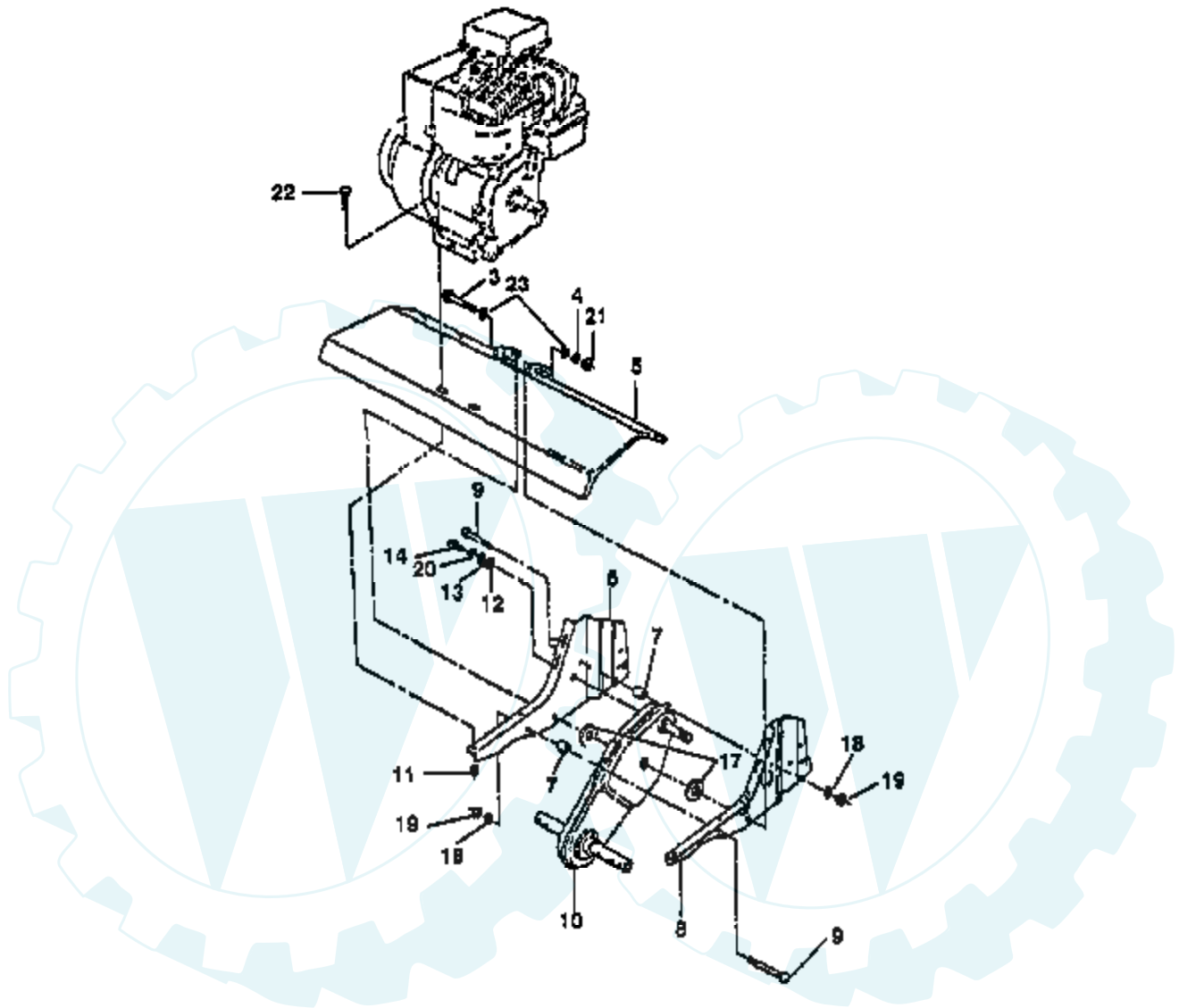


Ref #	Part Number	Qty	Description
1	100746M		TINE WELDMENT TI
2	3146R		RETAINER.SPRING
3	674A43		TINE TI
4	674A42		TINE TI
5	100744M		TINE WELDMENT TI
6	4929H		RIVET.PAN HD.1.75



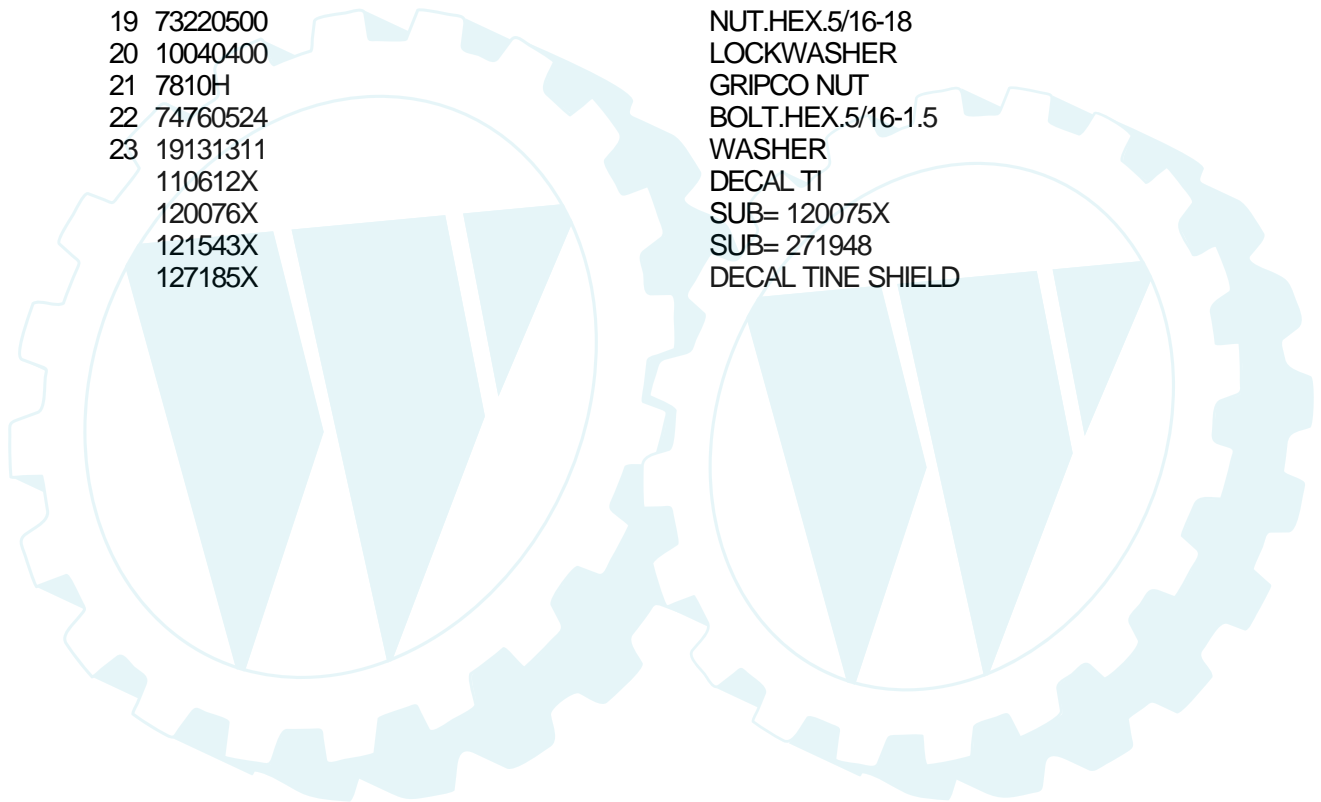
TRANSMISSION

5 HP TILLER -- MODEL NUMBER TF500A

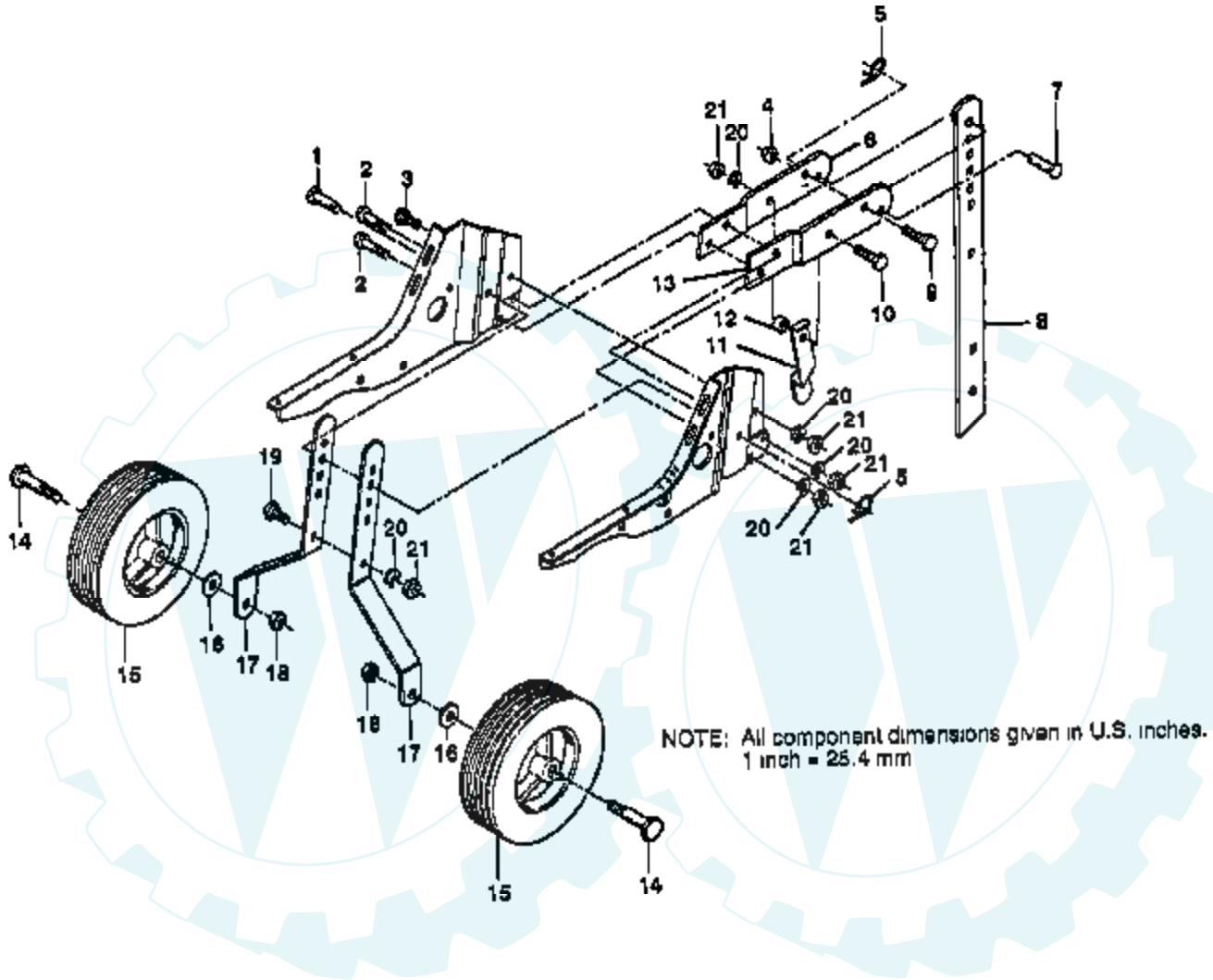


NOTE All component dimensions given in U.S. inches.
1 inch = 25.4 mm

Ref #	Part Number	Qty	Description
3	74610652		BOLT.3/8-24X3.75
4	10040600		LOCKWASHER
5	9057R419		SUB= 9057R366
6	1949J		SUB= 1949J500
7	9173R		SPLIT SPACER RT
8	110519X		BRACKET.ENG.LH.
9	74760544		SUB= 74780544
10	126669X		SUB= 532126669
11	73510500		NUT
12	19091412		WASHER
13	19092016		WASHER
14	74610412		BOLT
17	19171616		WASHER
18	10040500		LOCKWASHER
19	73220500		NUT.HEX.5/16-18
20	10040400		LOCKWASHER
21	7810H		GRIPCO NUT
22	74760524		BOLT.HEX.5/16-1.5
23	19131311		WASHER
	110612X		DECAL TI
	120076X		SUB= 120075X
	121543X		SUB= 271948
	127185X		DECAL TINE SHIELD



5 HP TILLER - - MODEL NUMBER TF500A
WHEEL AND DEPTH STAKE ASSEMBLY



Ref #	Part Number	Qty	Description
1	9194R		DRILLED RIVET RT
2	74760520		BOLT
3	74760512		BOLT
4	7810H		GRIPCO NUT
5	4921H		SPRING.RETAINER
6	1952J		SUB= 1952J500
7	326J		SUB= 4929H
8	122233X		SUB= 2582J
9	74610624		BOLT.3/8-24X1-1/2
10	74760524		BOLT.HEX.5/16-1.5
11	5388J		STAKE SPRING TI
12	120958X		WASHER
13	1951J		SUB= 1951J500
14	121117X		BOLT SHOULDER
15	9188R		SUB= 107644X
16	19131311		WASHER
17	9190R		SUB= 9190R500
18	73680600		SUB= 73690600
19	74760516		SUB= 77394
20	10040500		LOCKWASHER
21	73220500		NUT.HEX.5/16-18

