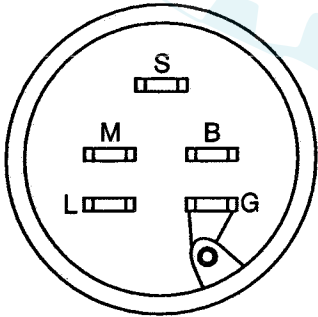
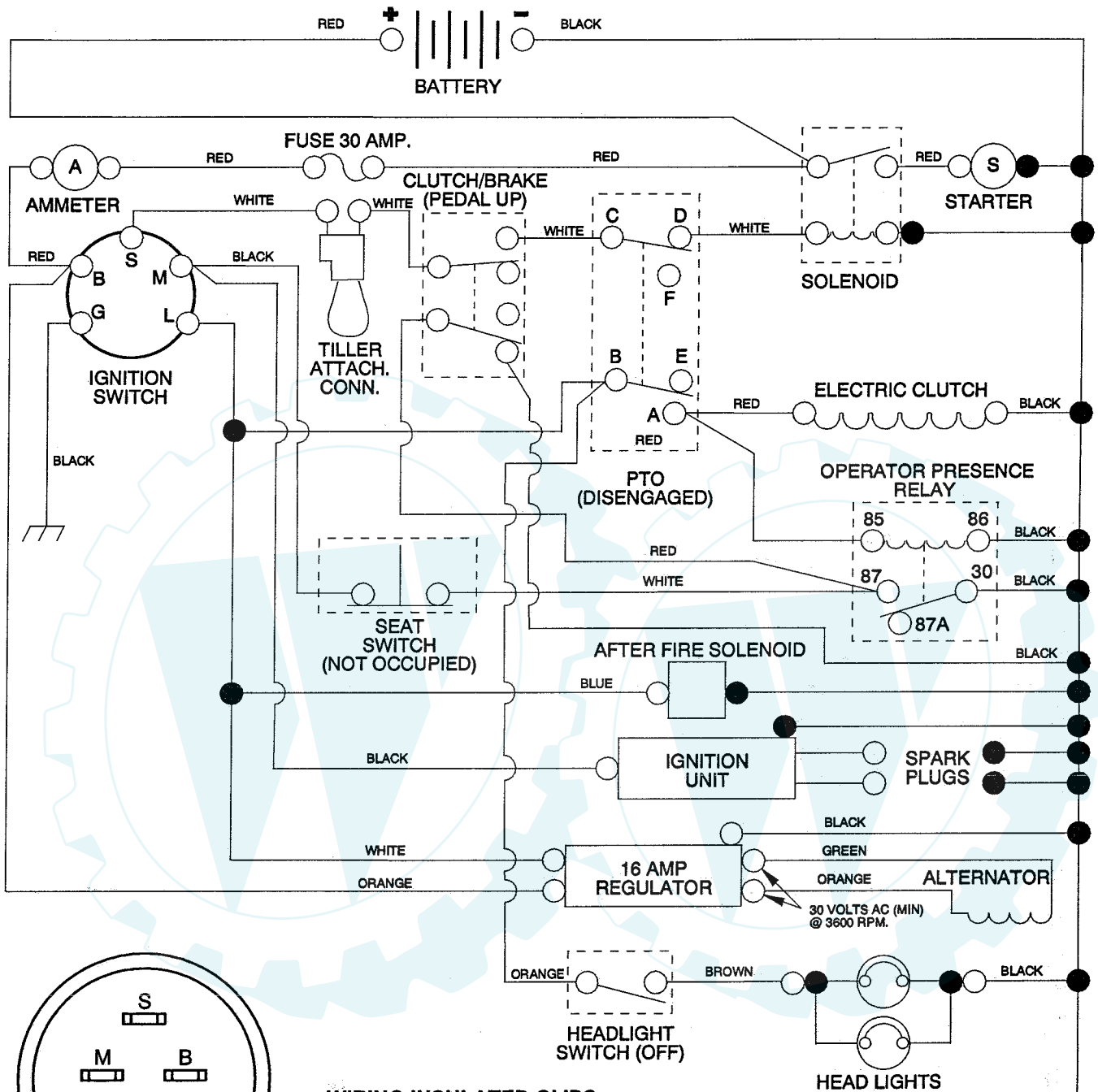


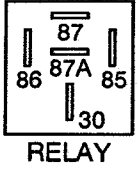
**SCHEMATIC**



**IGNITION SWITCH**

POSITION	CIRCUIT
OFF	M + G
ON	B + L
START	B + S + L

**WIRING INSULATED CLIPS**  
 NOTE: IF WIRING INSULATED CLIPS WERE REMOVED FOR SERVICING OF UNIT, THEY SHOULD BE REPLACED TO PROPERLY SECURE YOUR WIRING

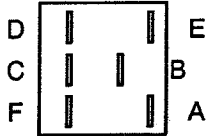


**RELAY**

**PTO SWITCH**

POSITION	CIRCUIT
OFF	B + E, C + D
ON	B + A, C + F

● NON-REMOVABLE CONNECTIONS  
 ○ REMOVABLE CONNECTIONS

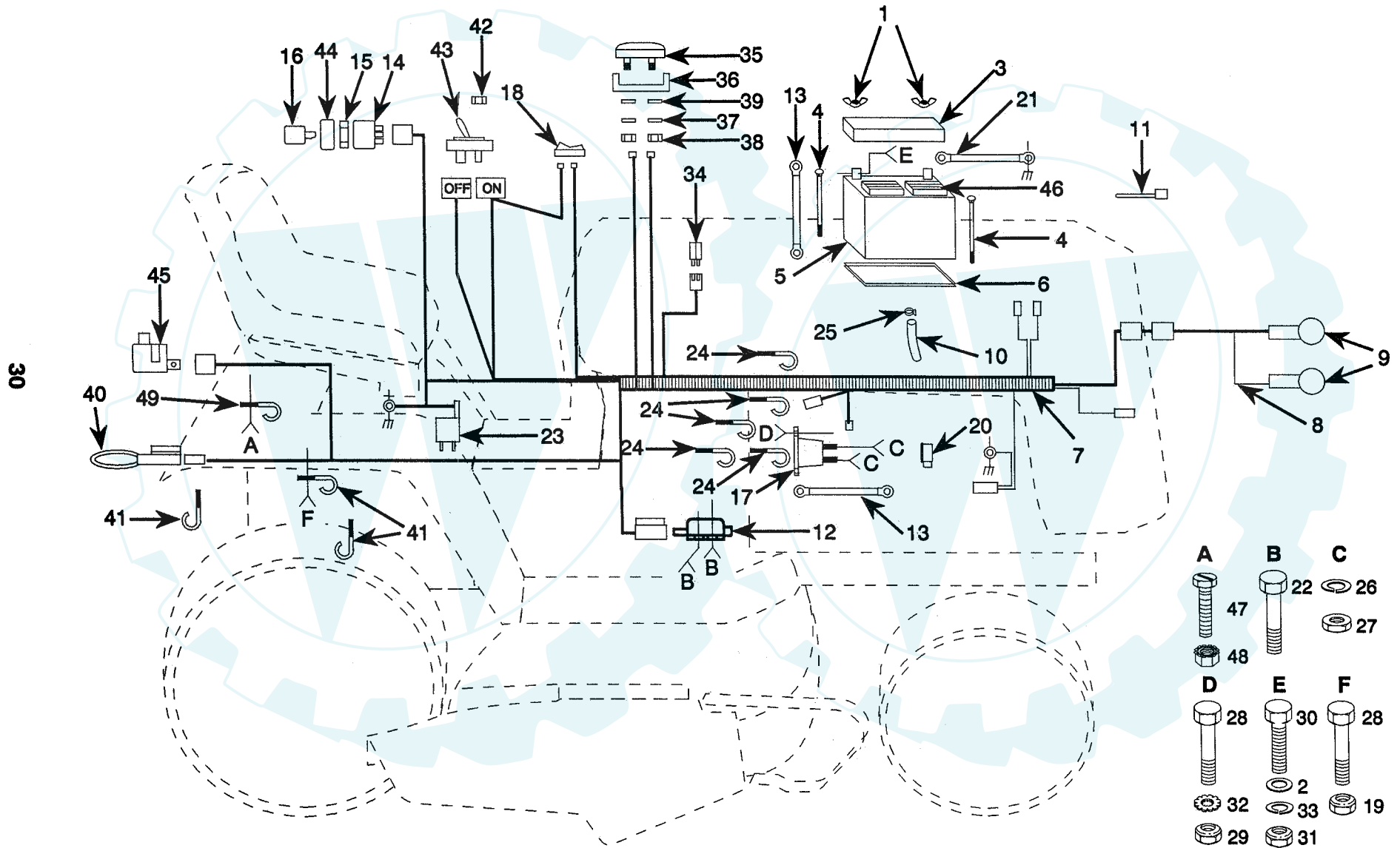


# REPAIR PARTS

[www.ersatzteil-service.de](http://www.ersatzteil-service.de)

## 16 HP 44" RIDING YARD TRACTOR – MODEL NUMBER YE16H44B

### ELECTRICAL



# REPAIR PARTS

[www.ersatzteil-service.de](http://www.ersatzteil-service.de)

## 16 HP 44" RIDING YARD TRACTOR – MODEL NUMBER YE16H44B

### ELECTRICAL

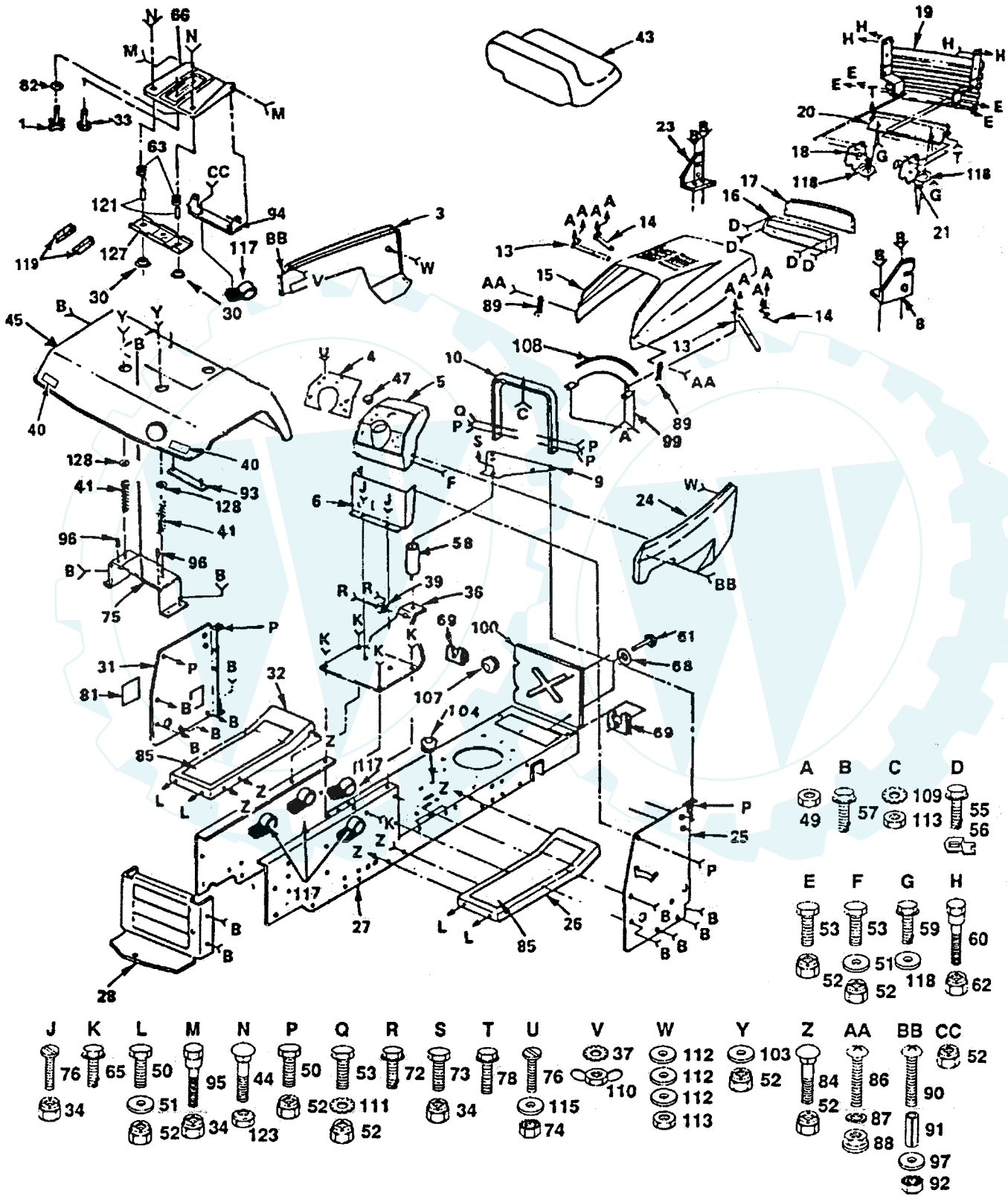
KEY NO.	PART NO.	DESCRIPTION	KEY NO.	PART NO.	DESCRIPTION
1	123198X	Wingnut 1/4–20	26	10090400	Washer, Lock 1/4
2	19091016	Washer 9/32 x 5/8 x 16 Gauge	27	73350400	Nut, Hex Jam 1/4–20
3	102476X	Guard, Terminal	28	74780408	Bolt, Hex 1/4–20 x 1/2 Grade 5
4	72240460	Bolt, Carriage 1/4–20 x 7–1/2	29	73510400	Nut, Keps, Hex 1/4–20
5	121537X	Battery	30	74760412	Bolt, Hex 1/4–20 x 3/4
6	7603J	Tray, Battery	31	73220400	Nut, Hex 1/4–20
7	125620X	Harness, Ignition	32	11050400	Washer, Lock, External Tooth 1/4
8	124108X	Harness, Light Socket	33	10040400	Washer, Lock 1/4
9	7662J	Bulb, Light	34	108824X	Fuse, 30 Amp.
10	100541K	Tube, Battery Tray	35	9433R	Ammeter
11	7192J	Cable Tie	36	6009J	Bracket, Ammeter
12	109553X	Switch, Interlock, Clutch	37	10101000	Washer, Lock #10
13	4206J	Cable, Battery (Battery to Solenoid)	38	73911000	Nut
14	102972X	Switch, Ignition	39	19070818	Washer 7/32 x 1/2 x 18 Gauge
15	109788X	Nut, Ignition	40	102501X	Loop, Wire
16	122147X	Key, Molded	41	235R	Clip, insulated
17	109081 X	Solenoid	43	126016X	Switch, PTO
18	110712X	Switch, Light	42	4022J	Nut, Hex
19	73680400	Nut, Hex 1/4–20	44	109787X	Bezel, Ignition
20	719J	Terminal Cover (For Solenoid)	45	121305X	Switch, Seat
21	4207J	Cable, Battery (Battery to Ground)	46	121264X	Cap, Battery
22	17021008	Screw, Tapping, Hex Head #10–24 UNC x 1/2 Type T	47	74641008	Screw 10–32 x 1/2
23	109748X	Relay	48	73951000	Nut, Keps 10–32
24	2751R	Clip, Fuel Line	49	4171R	Clip, Insulated
25	109596X	Clamp, Hose	—	121549X	Decal, Battery
			—	127367X	Manual, Owner's (English)
			—	101539X	Sheet, Instruction, Tractor, 15° Slope (English)
			—	127368X	Manual, Owner's (French)
			—	101572X	Sheet, Instruction, Tractor, 15° Slope (French)

NOTE: All component dimensions given in U.S. inches  
1 inch = 25.4 mm

# REPAIR PARTS

## 16 HP 44" RIDING YARD TRACTOR – MODEL NUMBER YE16H44B

### ENCLOSURES



# REPAIR PARTS

[www.ersatzteil-service.de](http://www.ersatzteil-service.de)

## 16 HP 44" RIDING YARD TRACTOR – MODEL NUMBER YE16H44B

### ENCLOSURES

EY NO.	PART NO.	DESCRIPTION	KEY NO.	PART NO.	DESCRIPTION
1	120068X	Adjustment Knob	72	17431008	Screw, Hex Head #10-16 x 1/2 Type B
3	121888X388	Panel, Side, L.H.	73	74760532	Bolt, Hex 5/16-18 x 2 Grade 2
4	121723X014	Dash, Plate	74	73510500	Nut, Keps 5/16-18
5	124252X	Dashboard	75	105509X	Bracket Assembly, Fender
6	104805X	Dash Assembly, Lower	76	74180512	Screw, Machine 5/16-18 x 3/4
8	110853X	Bracket Assembly R.H.	78	17190412	Screw, Hex Washer Head 1/4-20 x 3/4
9	106965X	Plate, Support, Battery	81	121794X	Cover, Access
10	124130X	Support, Assembly, Dash	82	19171912	Washer 17/32 x 1-3/16 x 12 Ga.
13	106784X	Strap, Assembly, Hinge, Rear	84	72140606	Bolt, Carriage 3/8-16 x 3/4
14	104618X	Strap, Assembly, Hinge, Front	85	108256X	Pad, Footrest
15	121886X388	Hood	86	74191008	Screw, Cross Recess Pan Head, Machine #10-24 x 1/2
16	124392X	Bezel, Assembly	87	10071000	Washer, Lock #10
17	106395X	Lens	88	2029J	Nut, Weld
18	110855X	Support, Grill, L.H.	89	109808X	Latch, Hood
19	122100X	Grill, Assembly	90	74981020	Screw, Machine, Cross Recess #10-24 x 1-1/4
20	105419X388	Strap, Grill	91	7206J	Spacer, Split #10 x 3/4
21	110854X	Support, Grill, R.H.	92	73731000	Nut, Keps #10-24
23	110852X	Bracket Assembly L.H.	93	105511X	Strap Assembly, Fender
24	121887X394	Panel, Side, R.H.	94	126656X	Bracket, Pivot, Seat
25	110828X	Panel, Dash, R.H.	95	105529X	Bolt, Shoulder 5/16-18
26	105464X388	Footrest, R.H.	96	105531X	Nut, Push
27	127066X	Chassis	97	19070818	Washer 7/32 x 1/2 x 18 Gauge
28	121306X	Drawbar	99	123091X	Baffle, Rear, Upper
30	121248X	Bushing, Snap	100	108105X	Baffle, Rear, Lower
31	124118X	Panel, Dash, L.H.	103	19131614	Washer 13/32 x 1 x 14 Gauge
32	105465X388	Footrest, L.H.	104	9151R	Grommet
33	121144X	Bolt, Shoulder 5/16-18 x 3/4	107	110436X	Grommet, Split
34	73680500	Nut, Crownlock 5/16-18	108	109458X	Foam, Strip
36	121195X014	Saddle	109	11050400	Washer, Lock, External Tooth 1/4
37	11030400	Washer, Lock, Int./Ext. Tooth 1/4	110	73490400	Wingnut 1/4-20
39	1554J	Bushing, Steering	111	11050600	Washer, Lock, External Tooth 3/8
40	106202X	Reflector, Tail light	112	19091216	Washer 9/32 x 3/4 x 16 Gauge
41	124181X	Spring, Compression	113	73220400	Nut, Hex 1/4-20
43	127429X	Seat	115	19111116	Washer 11/32 x 11/16 x 16 Gauge
44	72170410	Bolt, Carriage 1/4-20 x 1-1/4	117	2751R	Clip, Insulated
45	121642X388	Fender	118	19111212	Washer 11/32 x 3/4 x 12 Gauge
47	5479J	Plug, Dash	119	121251X	Foam Strip
49	73510400	Nut, Hex 1/4-20	121	121249X	Spacer, Split 0.28 x 0.88
50	74760612	Bolt, Hex 3/8-16 x 3/4	123	123976X	Locknut, Hex, Large, Flanged 1/4-20 UNC
51	19131312	Washer 13/32 x 13/16 x 12 Gauge	127	121246X	Bracket, Switch Mount
52	73680600	Nut, Crownlock 3/8-16	128	124238X	Cap, Spring
53	74760616	Bolt, Hex 3/8-16 x 1	--	109199X	Decal, Belt Instructions (Under Footrest)
55	17211010	Screw, Hex Washer Hd. Tapping #10-16 x 5/8	--	123965X	Decal, Hood, LH
56	104755X	"J" Fastener	--	108813	Decal
57	17490612	Screw, Hex Washer Head, Thread Rolling 3/8-16 x 3/4 Type TT	--	123966X	Decal, Hood, RH
58	121236X	Spacer	--	123964X	Decal, Fender (Rear Fender)
59	17490512	Screw, Hex Washer Head, Thread Rolling 5/16-18 x 3/4 Type TT	--	120822X	Decal, Caution (Front Fender)
60	123481X	Bolt, Shoulder 1/4-20	--	101892X	Decal, Clutch/Brake
61	123650X	Stud, 1/4 Turn	--	125690X	Decal, 100 DBA
62	73680400	Nut, Crownlock 1/4-20	--	125744X	Decal, Hood, 16 HP
63	121250X	Spring, Compression			
65	17490608	Screw, Hex Washer Head, Thread Forming 3/8-16 x 1/2 Type TT			
66	124294X	Pan, Seat			
68	105838X	Retainer, 1/4 Turn			
69	105839X	Receptacle, 1/4 Turn			

NOTE: All component dimensions given in U.S. inches  
1 inch = 25.4 mm

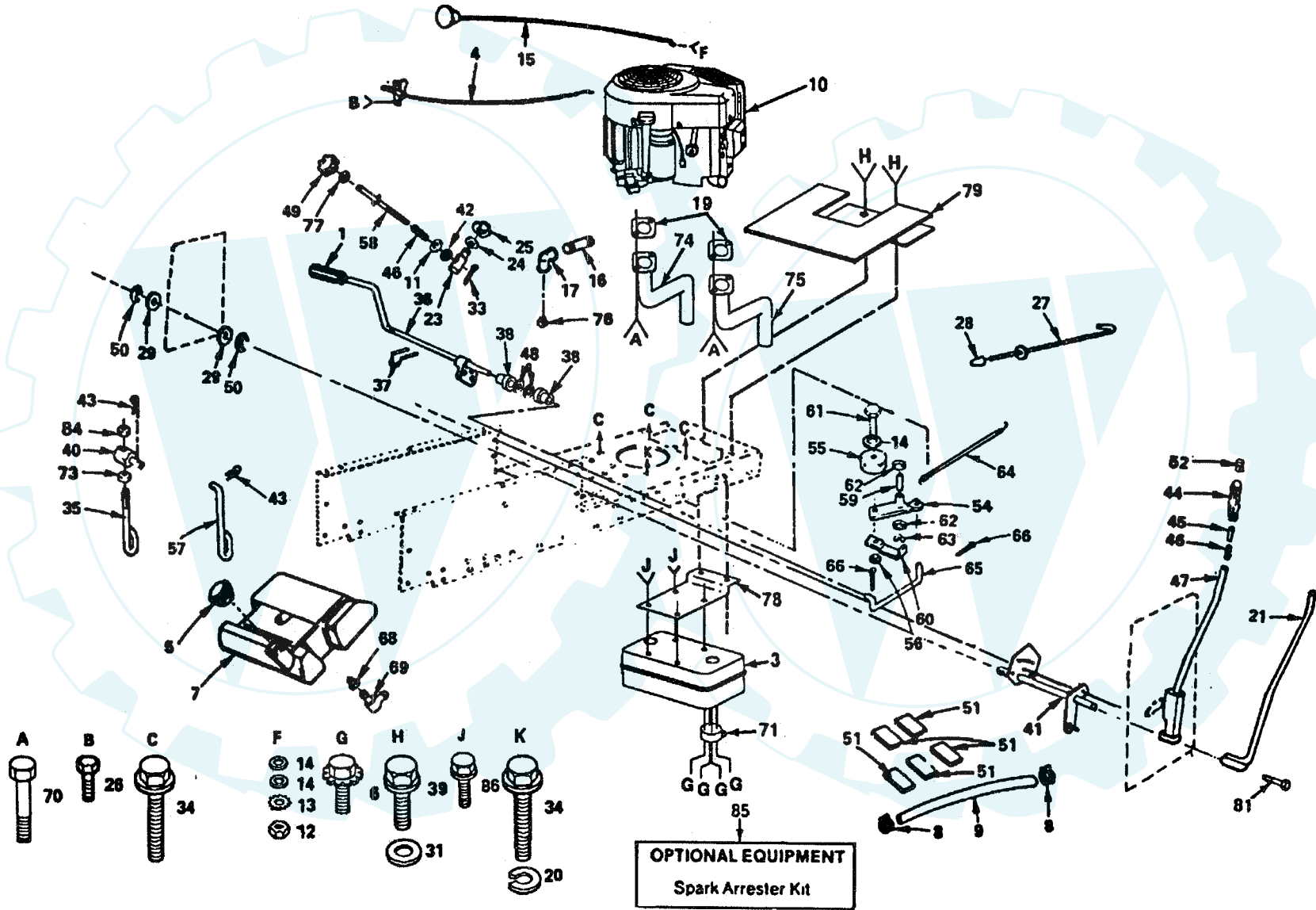
# REPAIR PARTS

[www.ersatzteil-service.de](http://www.ersatzteil-service.de)

## 16 HP 44" RIDING YARD TRACTOR – MODEL NUMBER YE16H44B

### POWER AND MECHANICAL CONTROLS GROUP

34



# REPAIR PARTS

[www.ersatzteil-service.de](http://www.ersatzteil-service.de)

## 16 HP 44" RIDING YARD TRACTOR – MODEL NUMBER YE16H44B

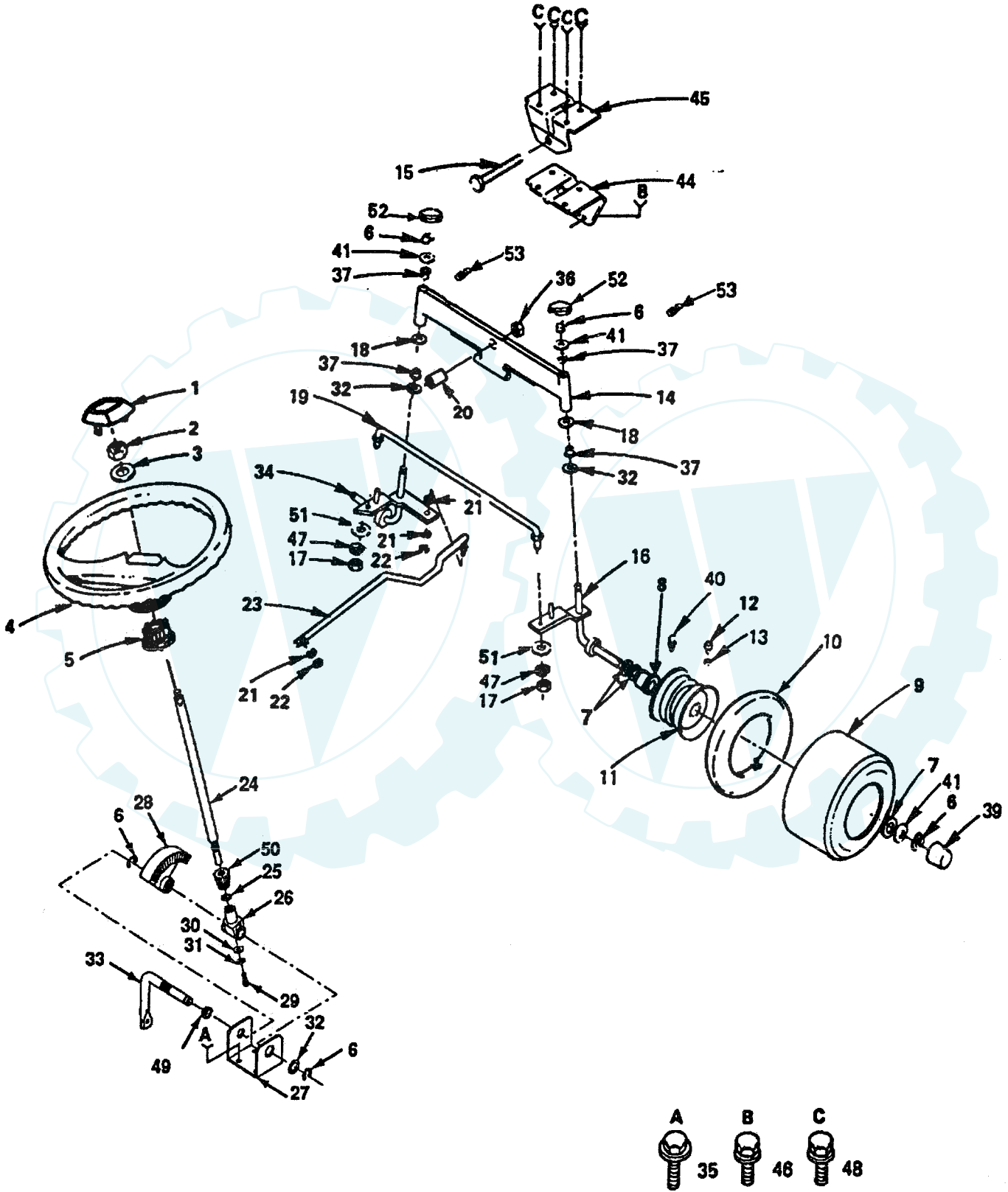
### POWER AND MECHANICAL CONTROLS GROUP

KEY NO.	PART NO.	DESCRIPTION	KEY NO.	PART NO.	DESCRIPTION
1	8883R	Cover, Pedal	44	109413X	Grip, Handle
3	122440X	Muffler	45	122364X	Plunger, Lever Lift
4	123072X	Control, Throttle	46	2876H	Spring
5	123549X	Cap, Fuel	47	121002X	Lever Assembly, Hand Kit (Includes Key #21)
6	17030808	Screw, Hex, Spider Lock #8 x 1/2	48	19211616	Washer 21/32 x 1 x 16 Gauge
7	106020X	Tank, Fuel	49	121891X	Handle, Adjust, Lift
8	123487X	Clamp, Hose	50	12000022	E-Ring
9	5277J	Line, Fuel	51	6431J	Pad, Spacer
10	122436X	Engine, Briggs & Stratton 16 HP, Model No. 303777, Type Number 0015-02	52	124526X	Button, Plunger
11	19131016	Washer 13/32 x 5/8 x 16 Gauge	54	123789X	Arm Assembly, Idler
12	73610600	Nut, Hex 3/8-24	55	123766X	Pulley, Idler
13	11050600	Washer, Lock, External Tooth 3/8	56	73680600	Nut, Crownlock 3/8-16
14	19131316	Washer 13/32 x 13/16 x 16 Gauge	57	110029X	Link, Lift
15	122926X	Control, Choke	58	110729X	Rod, Adjust, Lift
16	13280336	Pipe Nipple, Standard	59	1 05706X	Bearing
17	13200300	90° Elbow 3/8 NPT	60	123205X	Retainer, Belt
19	-----	Gasket, Muffler (see engine pgs. for part no.)	61	74760624	Bolt, Hex 3/8-16 x 1-1/2
20	11050600	Washer, Lock 3/4	62	110812X	Washer, Hardened
21	121006X	Rod Assembly, Lever	63	12000039	Ring, Klip
23	110810X	Trunnion, Stop, Depth	64	105709X	Spring, Return, Clutch
24	19151216	Washer 15/32 x 3/4 x 16 Gauge	65	105710X	Link, Clutch
25	12000037	Ring, Klip	66	76020412	Pin, Cotter 1/8 x 3/4
26	17720410	Screw, Hex Wsh. Hd., Thd. Cut. 1/4-20 x 5/8	68	3645J	Bushing
27	125637X	Rod, Brake, Park	69	8710J	Stem, Tank, Fuel
28	71673	Cap, Plunger	70	-----	Bolt, Metric (see engine pages for part number)
29	19292016	Washer 29/32 x 1-1/4 x 16 Gauge	71	101326L	Deflector, Muffler
31	19131614	Washer 13/32 x 1 x 14 Gauge	73	73360700	Nut, Hex, Jam 7/16-20
33	76020308	Pin, Cotter 3/32 x 1/2	74	122434X	Tube Assembly, Exhaust, L.H.
34	17490624	Screw, Hex Washer Head, Thread Rolling 3/8-16 x 1-1/2 Type TT	75	122435X	Tube Assembly, Exhaust, R.H.
35	110448X	Lift, Link, Adjustable	76	-----	Oil Drain (see engine pages for part number)
36	122424X	Shaft, Pedal, Foot	77	73350600	Nut, Hex, Jam 3/8-16
37	1572H	Roll Pin 3/16 x 1	78	122439X	Muffler, Bracket, Mounting
38	120183X	Bearing, Nylon	79	122981X	Heat Shield
39	17490512	Screw 5/16-18 x 3/4	81	74780624	Bolt, Hex 3/8-16 x 1-1/2
40	110447X	Trunnion, Lift	84	73710700	Nut, Crownlock 7/16-20
41	121000X	Shaft Assembly, Lift	85	121851X	Spark Arrester Kit
42	110807X	Nut, Hex, Special	86	17190408	Screw, Hex Washer Head, Thread Cutting 1/4-20 x 1/2
43	4939M	Retainer, Spring		125971X	Decal, Air Cleaner
				123161X	Decal, Engine Instruction

NOTE: All component dimensions given in U.S. inches  
1 inch = 25.4 mm

# REPAIR PARTS

## 16 HP 44" RIDING YARD TRACTOR – MODEL NUMBER YE16H44B STEERING, FRONT AXLE AND WHEELS





# REPAIR PARTS

## 16 HP 44" RIDING YARD TRACTOR – MODEL NUMBER YE16H44B

### STEERING, FRONT AXLE AND WHEELS

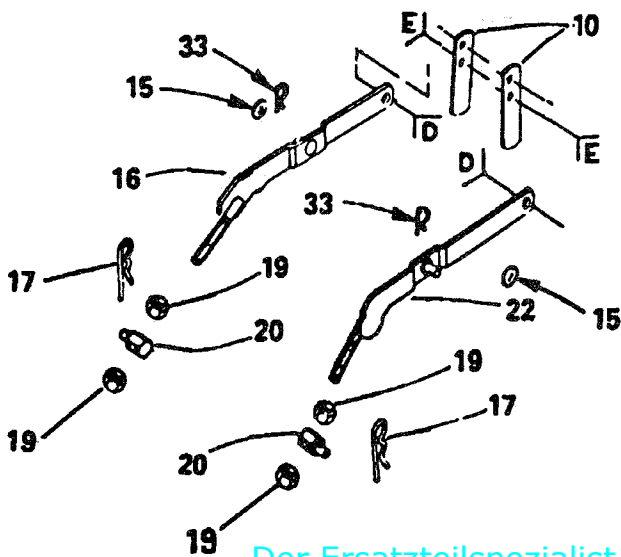
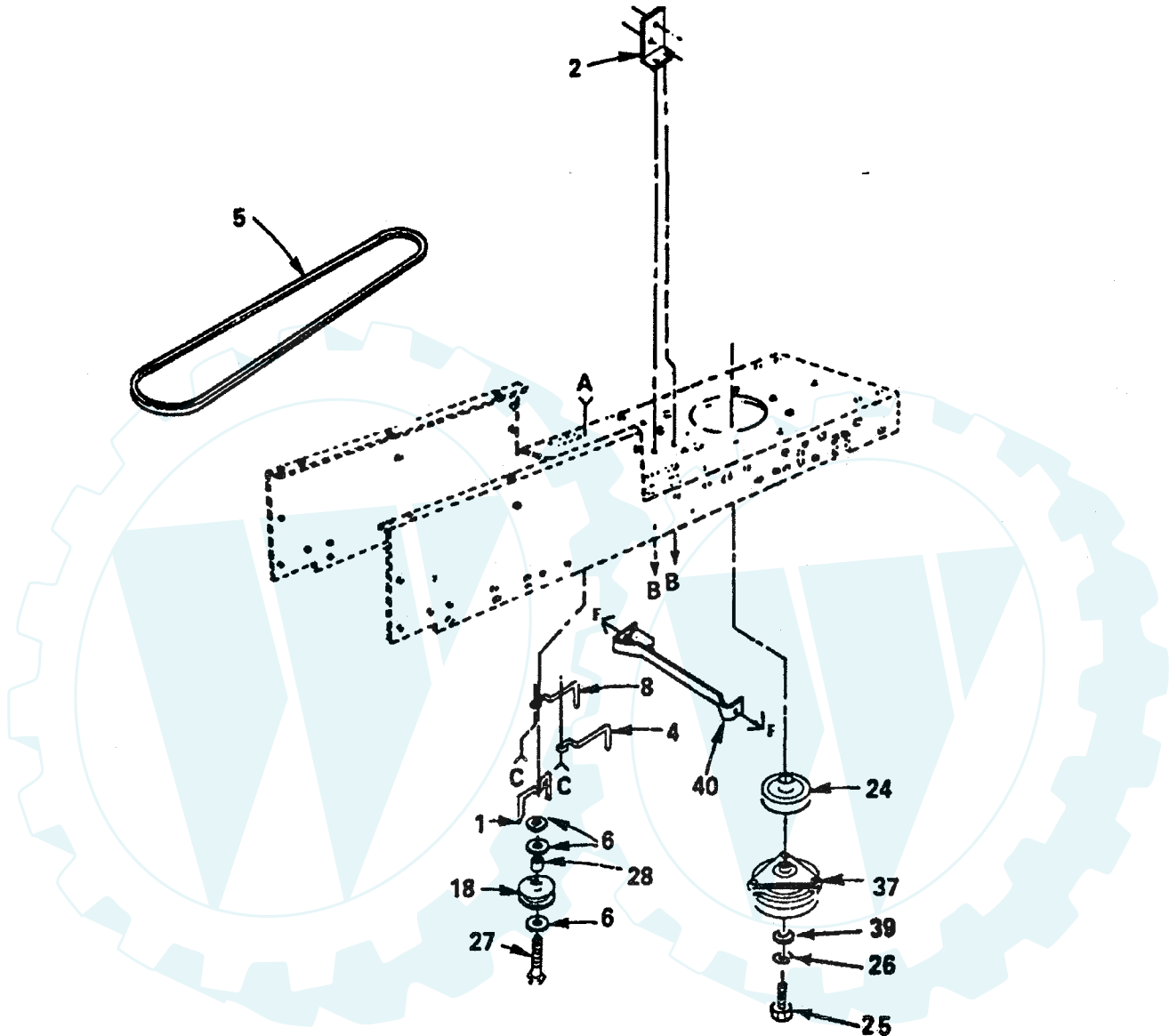
KEY NO.	PART NO.	DESCRIPTION	KEY NO.	PART NO.	DESCRIPTION
1	121584X	Insert, Steering Wheel	26	124035X	Support ,Shaft
2	73940800	Nut, Hex, Toplock Jam 1/2–20	27	124036X	Bracket, Steering
3	100712K	Washer 17/32 x 2–1/4 x .160	28	124034X	Gear, Sector
4	121472X	Steering Wheel	29	71070410	Screw, Socket, Hex 1/4–20 x 5/8
5	100711 L	Adapter, Steering Wheel	30	126684X	Washer, Shim 1/4 x 5/8 x .062
6	12000029	Ring, Klip	31	10040400	Washer, Lock 1/4
7	121749X	Washer 25/32 x 1–1/4 x 16 Gauge	32	6266H	Bearing, Thrust
8	9040H	Wheel Bearings, Front	33	124033X	Shaft, Pitman
9	106222X	Tire (Tubeless)	34	105656X	Spindle Assembly, L.H.
10	59904	Tube, Tire (not furnished with Tractor)	35	17490612	Screw, Hex Washer Head, Thread Forming 3/8–16 x 3/4 Type TT
11	106732X361	Rim Assembly, Front, 6" (Includes 2 each Key #8)	36	73901000	Locknut, Flange 5/8–11
12	65139	Stem, Valve	37	3366R	Bearing
13	59192	Cap, Valve	39	104757X	Cap, Axle
14	108075X	Axle Assembly, Front	40	278H	Fitting, Grease
15	74761060	Bolt, Hex 5/8–11 x 3–3/4	41	121748X	Washer 25/32 x 1–5/8 x 16 Gauge
16	105654X	Spindle, Assembly, R.H.	44	105664X	Support, Saddle, Front
17	73810500	Nut, Hex 5/16–24	45	105663X	Support, Saddle, Rear
18	19272016	Washer 27/32 x 1–1/4 x 16 Gauge	46	17490508	Screw, Hex Washer Head, Thread Rolling 5/16–18 x 1/2
19	121334X	Rod, Tie	47	10040500	Washer, Lock 5/16
20	110438X	Spacer, Bearing	48	122819X	Screw, Spécial
21	10040600	Washer, Lock 3/8	49	109816X	Nyliner, Snap In
22	73610600	Nut, Hex 3/8–24	50	124037X	Gear, Pinion
23	124032X	Link, Drag	51	19111216	Washer 11/32 x 3/4 x 16 Gauge
24	124043X	Shaft Assembly, Steering	52	121232X	Cap, Spindle
25	57079	Washer	53	6855M	Fitting, Grease

NOTE: All component dimensions given in U.S. inches  
1 inch = 25.4 mm

# REPAIR PARTS

## 16 HP 44" RIDING YARD TRACTOR – MODEL NUMBER YE16H44B

### DRIVE



- | A | B | C | D | E | F |
|---|---|---|---|---|---|
|   |   |   |   |   |   |
|   |   |   |   |   |   |
|   |   |   |   |   |   |

Der Ersatzteilspezialist im Internet.

# REPAIR PARTS

## 16 HP 44" RIDING YARD TRACTOR – MODEL NUMBER YE16H44B

### DRIVE

KEY NO.	PART NO.	DESCRIPTION	KEY NO.	PART NO.	DESCRIPTION
1	109070X	Retainer, Belt	22	121598X	Arm Assembly, Suspension, R.H.
2	108236X	Bracket, Switch	23	105848X	Bolt, Shoulder 3/8-16
3	17021008	Screw, Tapping, Hex Head 10-24 x 1/2	24	109841X	Pulley, Engine
4	105730X	Keeper, Belt, Engine	25	71130768	Bolt, Hex, Fin 7/16-20 UNF x 4-1/4 Grade 8
5	123461X	V-Belt, Drive	26	10040700	Washer, Lock 7/16
6	19131316	Washer 13/32 x 13/16 x 16 Gauge	27	74760644	Bolt, Hex 3/8-16 x 2-3/4
8	121218X	Keeper, Belt, Engine	28	4470J	Spacer
9	19131312	Washer 13/32 x 13/16 x 12 Gauge	33	4921H	Spring, Retainer
10	121252X	Upstop, Mower	35	73680500	Locknut 5/16-18
11	73680600	Nut, Crownlock 3/8-16	36	74760616	Bolt, Hex 3/8-16 x 1
12	72140608	Bolt, Carriage 3/8-16 x 1	37	108218X	Clutch, Electric
15	19171516	Washer 17/32 x 15/16 x 16 Gauge	38	73980600	Nut, Centerlock, Flange 3/8-16
16	121599X	Arm Assembly, Suspension, L.H.	39	126197X	Washer 1-1/2 x 15/32 x 1/4
17	9135R	Retainer, Spring	40	109169X	Locator, Clutch
18	123674X	Idler, Flat	42	110739X	Washer, Spring
19	73220800	Nut, Hex 1/2-13	43	72140506	Bolt, Carriage 5/16-18 x 3/4
20	106308X	Trunnion, Lift, Lower			

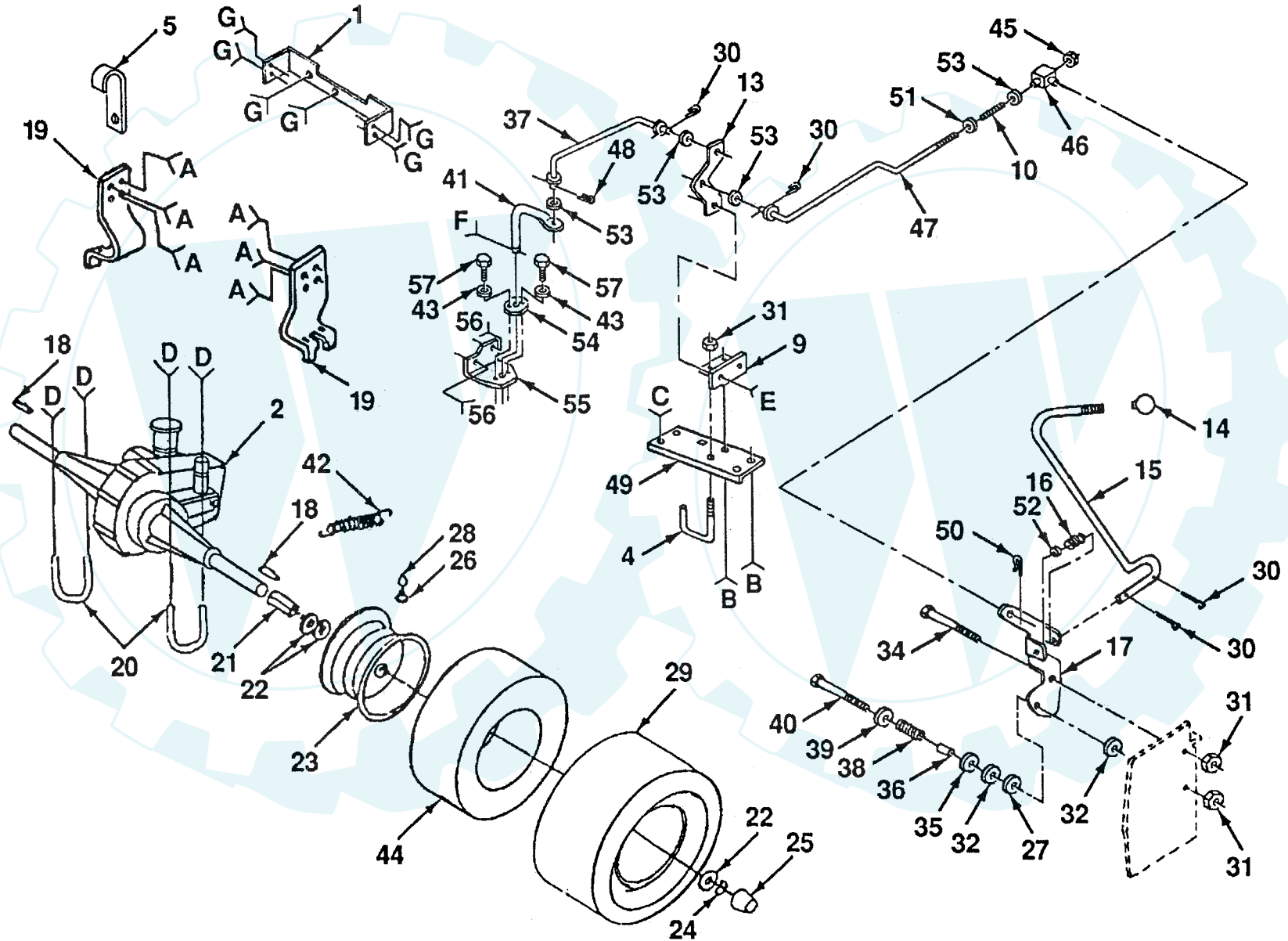
NOTE: All component dimensions given in U.S. inches  
1 inch = 25.4 mm

# REPAIR PARTS

[www.ersatzteil-service.de](http://www.ersatzteil-service.de)

## 16 HP 44" RIDING YARD TRACTOR – MODEL NUMBER YE16H44B TRANSAXLE AND REAR WHEEL

40



# REPAIR PARTS

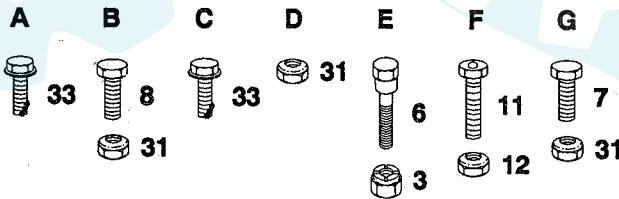
## 16 HP 44" RIDING YARD TRACTOR - MODEL NUMBER YE16H44B

### TRANSAXLE AND REAR WHEEL

www.ersatzteil-service.de

KEY NO.	PART NO.	DESCRIPTION	KEY NO.	PART NO.	DESCRIPTION
1	121187X	Bracket, Mounting, Hydro	31	73680600	Locknut 3/8-16
2	121431X	Transaxle, Agri-Fab, Hydro, Model Number 486.121431X	32	108200X	Washer, Friction
3	73680500	Nut, Crownlock 5/16-18	33	17490612	Screw, Hex Washer Head, Threaded, Roll. 3/8-16 x 3/4
4	121190X	Keeper, Centerspan	34	108518X	Bolt, Shoulder 3/8-16 x 1-3/8
5	2751R	Clip, Fuel Line	35	19212016	Washer 21/32 x 1-1/4 x 16 Gauge
6	100536K	Bolt, Shoulder	36	108201X	Spacer
7	74760612	Bolt, Hex Fin. 3/8-16 UNC x 3/4	37	121202X	Link, Control
8	74760616	Bolt, Hex Fin. 3/8-16 UNC x 1	38	108844X	Spring, Compression
9	121206X	Bracket, Bellcrank, Pivot	39	19132012	Washer 13/32 x 1-1/4 x 12 Gauge
10	102670X	Spring, Compression	40	74760648	Bolt, Hex 3/8-16 x 3
11	74561014	Screw, Hex Socket Head #10-24 UNC	41	121209X	Arm Assembly, Pump Control
12	69180	Locknut #10-24	42	110422X	Spring, Brake Return
13	121204X	Bellcrank	43	19070816	Washer 7/32 x 1/2 x 16 Gauge
14	121274X	Knob, Control	44	7152J	Tube (not furnished with tractor)
15	110845X	Rod, Control	45	73800600	Locknut, Hex w/Washer Insert 3/8-16 UNC
16	121631X	Spring, Torsion	46	108212X	Trunnion
17	108196X	Bracket, Control Rod	47	121750X	Rod, Control, Adjustable
18	123583X	Key, Square 2.5 x .1845/.1865	48	4497H	Clip, Hairpin
19	126649X	Bracket, Transaxle	49	123186X	Bracket, Chassis Reinforcement, Hydro
20	121189X	U-Bolt 3/8-16 x 2-7/8	50	4921H	Spring, Retainer
21	121199X	Spacer, Split	51	19131212	Washer 13/32 x 3/4 x 12 Gauge
22	121748X	Washer 25/32 x 1-5/8 x 16 Gauge	52	19151516	Washer 15/32 x 15/16 x 16 Gauge
23	106108X361	Rim, Rear	53	110739X	Washer, Spring
24	12000001	E-Ring	54	121217X	Guide, Control
25	104757X	Cap, Axle	55	121216X	Bracket, Control Guide
26	65139	Stem, Valve	56	17490512	Screw, Hex Washer Head, Threaded, Roll. 5/16-18 x 3/4 Type TT
27	108972X	Washer, Phenolic	57	17021008	Screw, Tapping, Hex Head #10-24 UNC x 1/2 Type TT
28	59192	Cap, Valve			
29	106268X	Tire, Rear			
30	76020412	Pin, Cotter 1/8 x 3/4			

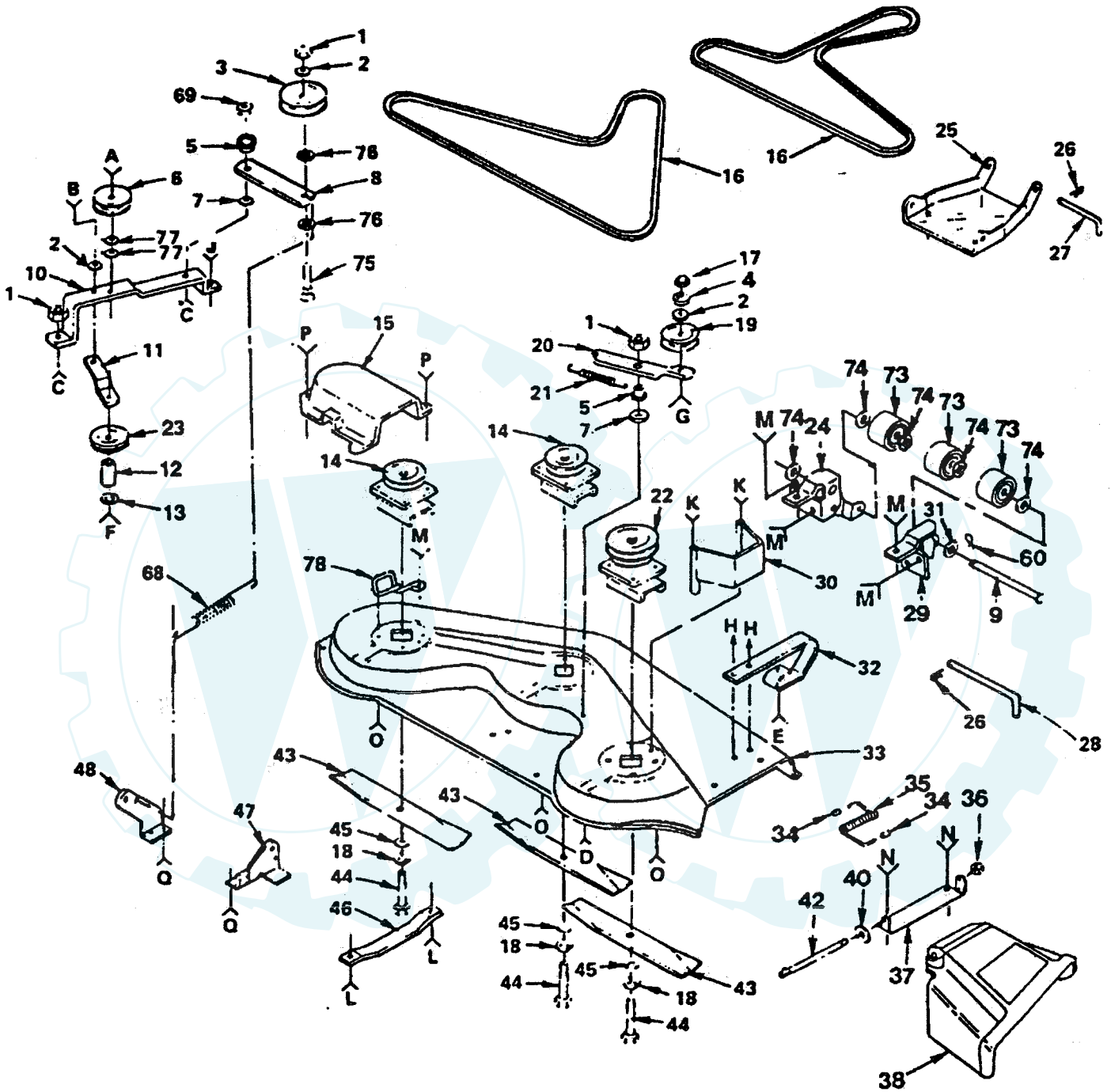
NOTE: All component dimensions given in U.S. inches  
1 inch = 25.4 mm



# REPAIR PARTS

## 16 HP 44" RIDING YARD TRACTOR – MODEL NUMBER YE16H44B

### MOWER



- |                          |                     |                |                |                            |                     |                |                      |                     |                            |                      |                            |                      |                |                            |                     |
|--------------------------|---------------------|----------------|----------------|----------------------------|---------------------|----------------|----------------------|---------------------|----------------------------|----------------------|----------------------------|----------------------|----------------|----------------------------|---------------------|
| <b>A</b><br>51<br>2<br>1 | <b>B</b><br>52<br>1 | <b>C</b><br>53 | <b>D</b><br>54 | <b>E</b><br>55<br>56<br>72 | <b>F</b><br>58<br>1 | <b>G</b><br>59 | <b>H</b><br>55<br>72 | <b>J</b><br>80<br>1 | <b>K</b><br>62<br>63<br>57 | <b>L</b><br>79<br>57 | <b>M</b><br>55<br>61<br>57 | <b>N</b><br>55<br>57 | <b>O</b><br>66 | <b>P</b><br>70<br>56<br>57 | <b>Q</b><br>67<br>1 |
|--------------------------|---------------------|----------------|----------------|----------------------------|---------------------|----------------|----------------------|---------------------|----------------------------|----------------------|----------------------------|----------------------|----------------|----------------------------|---------------------|

# REPAIR PARTS

[www.ersatzteil-service.de](http://www.ersatzteil-service.de)

## 16 HP 44" RIDING YARD TRACTOR – MODEL NUMBER YE16H44B

### MOWER

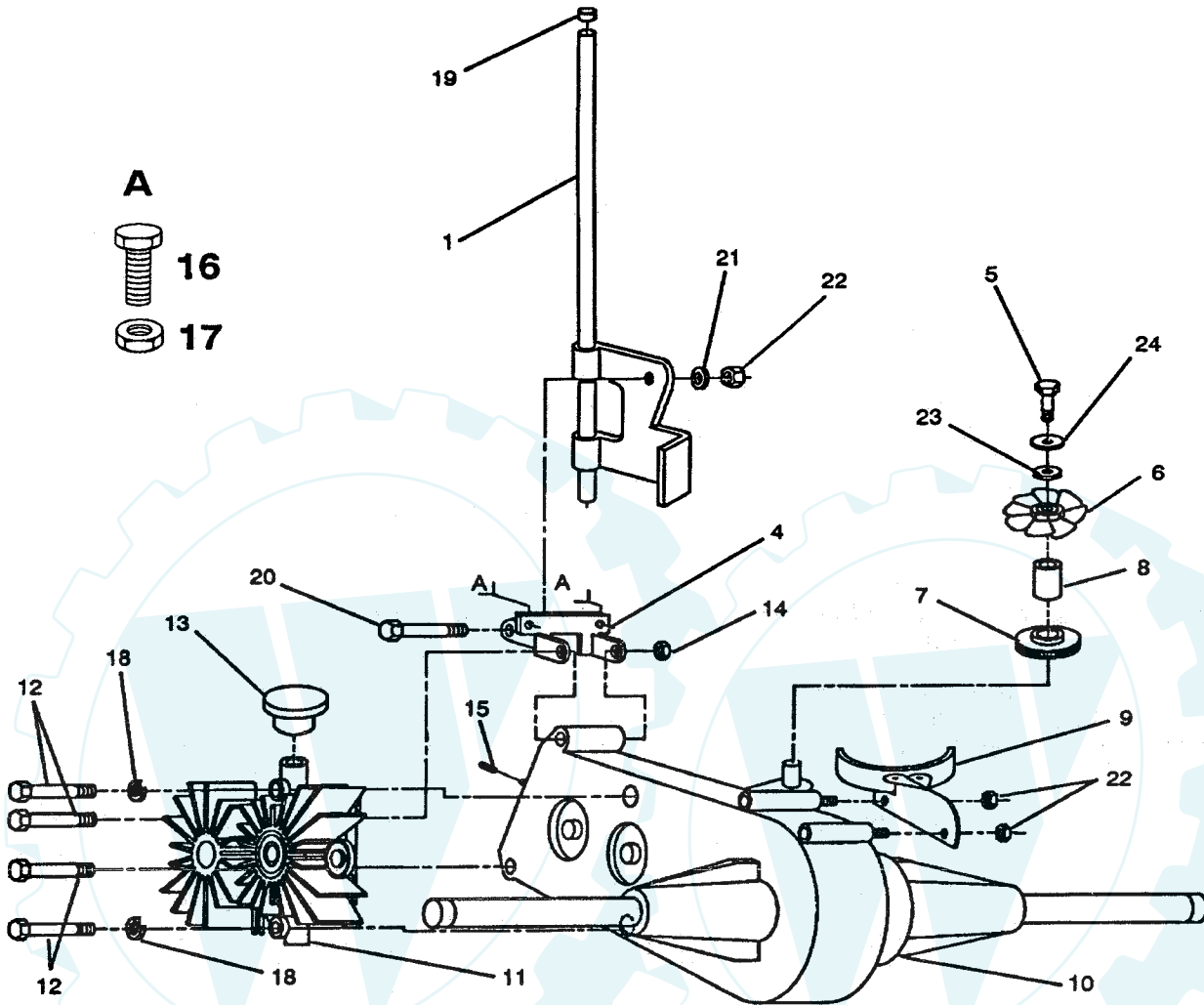
KEY NO.	PART NO.	DESCRIPTION	KEY NO.	PART NO.	DESCRIPTION
1	73680600	Locknut 3/8–16	44	74610624	Bolt, Hex 3/8–24 x 1–1/2 Grade 5
2	19131614	Washer 13/32 x 1 x 14 Gauge	45	19132012	Washer 13/32 x 1–1/4 x 12 Gauge
3	121316X	Pulley, Idler	46	7631J	Runner, L.H.
4	10040600	Washer, Lock 3/8	47	123807X	Bracket, Suspension, Rear, R.H.
5	106902X	Spacer	48	123808X	Bracket, Suspension, Rear, L.H.
6	677A451	Pulley, Idler	51	72140614	Bolt, Carriage 3/8–16 x 1–3/4
7	106513X	Washer, Wear	52	72140608	Bolt, Carriage 3/8–16 x 1
8	121425X	Arm, Idler	53	72140612	Bolt, Carriage 3/8–16 x 1–1/2
9	109776X	Pin, Pivot	54	74760620	Bolt, Hex 3/8–16 x 1–1/4
10	106523X	Bar, Support, Idler	55	72140506	Bolt, Carriage 5/16–18 x 3/4
11	106522X	Brace, Idler, Deck	56	19111116	Washer 11/32 x 11/16 x 16 Gauge
12	121236X	Spacer	57	73680500	Locknut 5/16–18
13	19131316	Washer 13/32 x 13/16 x 16 Gauge	58	74760648	Bolt, Hex 3/8–16 x 3
14	121622X	Mandrel, Secondary	59	74110632	Screw, Flat Head 3/8–16 x 2
15	106214X	Guard	60	76020412	Pin, Cotter
16	106085X	V–Belt	61	19111216	Washer 11/32 x 3/4 x 16 Gauge
17	73220600	Nut, Hex 3/8–16	62	74760580	Bolt, Hex 5/16–18 x 5
18	10030600	Washer, Lock 3/8	63	19111216	Washer 11/32 x 3/4 x 16 Gauge
19	102932X	Idler, Flat	66	17490612	Screw, Hex, Washer, Threaded, Roll. 3/8–16 x 3/4
20	106526X	Arm, Idler, Deck	67	72140606	Bolt, Carriage 3/8–16 x 3/4
21	7644J	Spring, Extension	68	102727X	Spring, Extension
22	121704X	Mandrel, Primary	69	73930600	Nut, Centerlock 3/8–16
23	102403X	Pulley, Idler	70	72110506	Bolt, Carriage 5/16–18 x 3/4
24	109599X	Bracket, Lift, L.H.	72	1685H	Locknut 5/16–18
25	105662X	Link, Parallel	73	109729X	Roller, Nose
26	4921H	Retainer, Spring	74	19151610	Washer 15/32 x 1 x 10 Gauge
27	105744X	Pin, Front Hinge	75	72140620	Bolt, Carriage 3/8–16 x 2–1/2
28	109835X	Pin, Rear Hinge	76	19131210	Washer 13/32 x 3/4 x 10 Gauge
29	109600X	Bracket, Lift, R.H.	77	19131410	Washer 13/32 x 7/8 x 10 Gauge
30	108119X	Guard, Belt, R.H.	78	121352X	Keeper, L.H. Mandrel
31	19151616	Washer 15/32 x 1 x 16 Gauge	79	72110505	Bolt, Carriage 5/16–18 x 5/8
32	8418J	Runner, R.H.	80	74760616	Bolt, Fin Hex 3/8–16 x 1
33	121423X	Housing, Mower	–	125995X	Mower Deck, Complete
34	105304X	Cap, Sleeve	–	108592X	Decal, Belt Instruction
35	106734X	Spring	–	105185X	Decal, Caution (Rotating Blades)
36	110452X	Nut, Push	–	121349X	Decal, Danger (Cut Fingers)
37	109743X	Bracket, Deflector			
38	109785X	Guard, Discharge			
40	19111016	Washer 11/32 x 5/8 x 16 Gauge			
42	106735X	Rod, Hinge			
43	122265X	Blade, Mower			

NOTE: All component dimensions given in U.S. inches  
1 inch = 25.4 mm

# REPAIR PARTS

## 16 HP 44" RIDING YARD TRACTOR – MODEL NUMBER YE16H44B

### DIFFERENTIAL AND PUMP ASSEMBLY.



KEY NO.	PART NO.	DESCRIPTION
1	123634X	Free Wheel Control Assembly
4	121188X	Bracket, Pnt., Mounting, Differential
5	74780412	Bolt, Hex Head 1/4-20 UNC x 3/4
6	121186X	Fan, Hydro, 8"
7	121180X	Pulley, Transaxle
8	121211X	Standoff, Fan, Hydro
9	121182X	Guard Assembly, Belt
10	121431X	Differential Assembly (see pages 46 and 47)
11	121430X	Pump Assembly (see page 45)
12	74760572	Bolt, Hex, Fin. 5/16-18 UNC x 4.5
13	121323X	Reservoir, Pump
14	73680500	Nut, Crownlock 5/16-18
15	121250X	Spring, Compression
16	74760612	Bolt 3/8-16 x 3/4
17	73680600	Nut 3/8-16 UNC
18	10040500	Washer, Lock
19	71673	Cap
20	7605J	Bolt, Shoulder 1/4-20 UNC
21	120529X	Washer, Nylon
22	73680400	Nut, Crownlock 1/4-20 UNC
23	19092016	Washer 9/32 x 1-1/4 x 16 Gauge
24	10040400	Washer, Lock 1/4

NOTE: All component dimensions given in U.S. inches

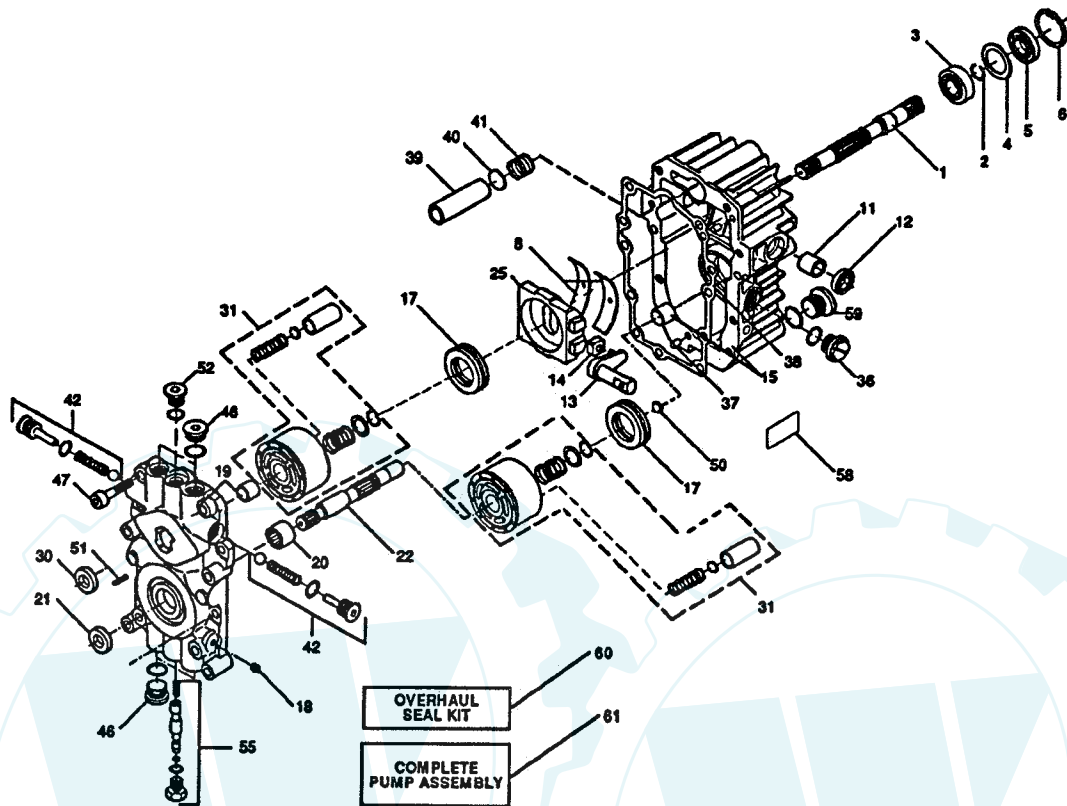
Der Ersatzteil-Spezialist im Internet.



# REPAIR PARTS

## 16 HP 44" RIDING YARD TRACTOR – MODEL NUMBER YE16H44B

### SUNDSTRAND PUMP – MODEL NUMBER BDU-10



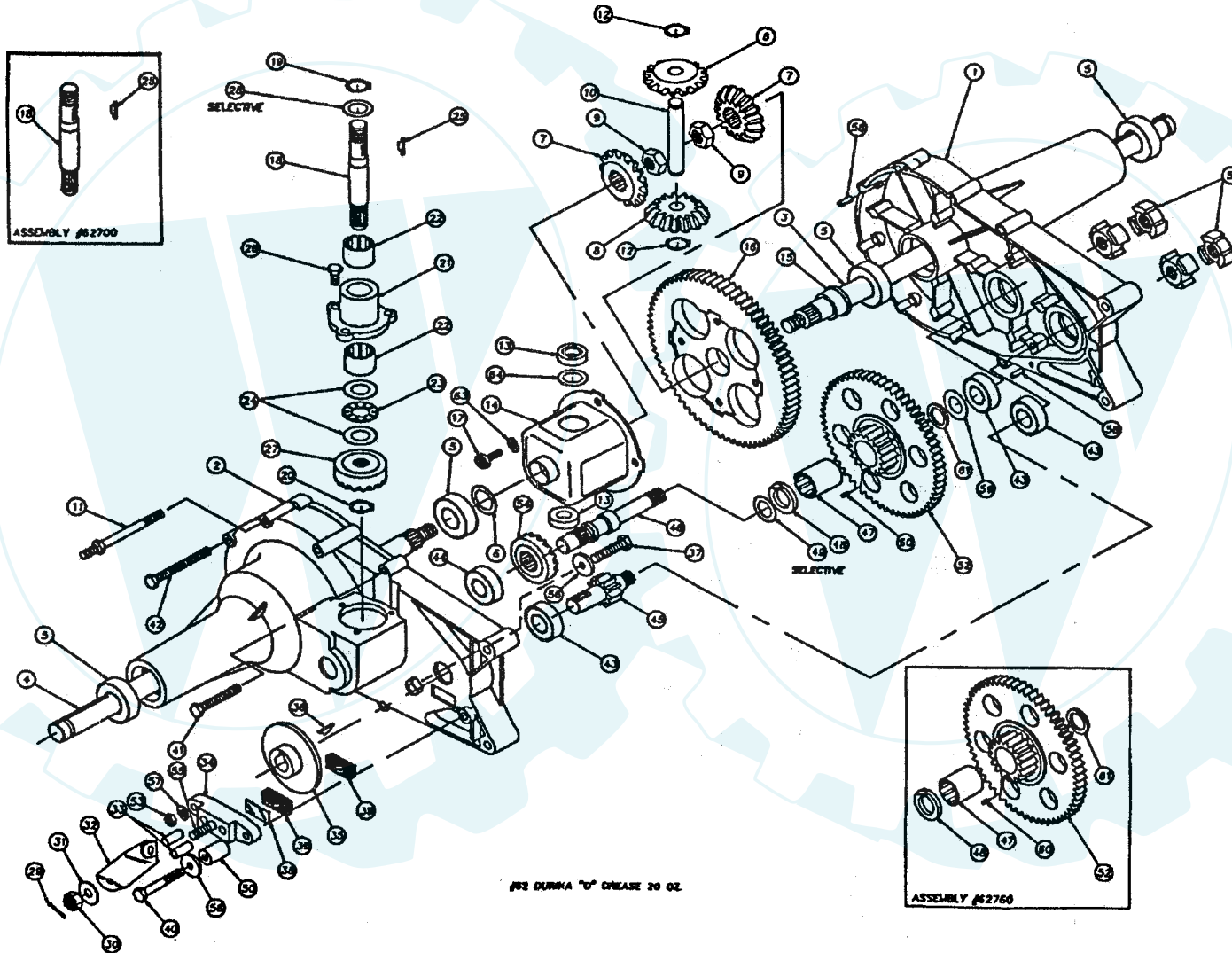
KEY NO.	PART NO.	DESCRIPTION	KEY NO.	PART NO.	DESCRIPTION
1	122756X	Shaft, Pump	30	122723X	* Seal, Lip
2	122716X	* Ring, Retaining	31	127149X	Block Kit, Cylinder
3	122745X	Bearing, Ball	36	127151X	Plug, Plastic
4	122715X	* Spacer	37	122786X	Pin, St. Hdls.
5	122700X	* Seal, Lip	38	122718X	* Gasket, Center Section
6	122699X	* Ring, Retaining	39	122731X	Filter
8	122767X	Bearing, Cradle	40	122730X	Washer, Thrust
11	122747X	Bearing, Journal	41	122728X	Spring, Helical Compression
12	122717X	* Seal, Lip	42	127152X	Check Valve Kit
13	122748X	Arm, Trunnion	46	122787X	Plug, St. Thd.
14	122749X	Guide, Slot	47	122752X	Screw Socket Head Cap
15	127146X	Housing Kit, Transmission	50	122788X	Washer, Thrust
17	122770X	Bearing, Thrust Ball	51	122789X	Pin, Spiral
18	122771X	Plug, Pipe	52	122754X	Plug, St. Thd.
19	127147X	Center Section Kit	55	127153X	Bypass Valve Kit
20	122773X	Bearing, Needle	58	122727X	Adhesive Label, Bar Coded
21	122722X	* Seal, Lip	59	122790X	Plug, St. Thd.
22	122750X	Shaft, Motor	60	127154X	Overhaul Seal Kit, BDU-10 Includes: items marked with * and O-Rings for Check Valves and By- pass Valve
25	127148X	Swashplate, Variable	61	121430X	Complete Pump Assembly

NOTE: All component dimensions given in U.S. inches  
1 inch = 25.4 mm

# REPAIR PARTS

[www.ersatzteil-service.de](http://www.ersatzteil-service.de)

## 16 HP 44" RIDING YARD TRACTOR – MODEL NUMBER YE16H44B AGRI-FAB TRANSAXLE – MODEL NUMBER 486.121431X



46

#2 QUINNA "G" GREASE 20 OZ.

ASSEMBLY #2760

# REPAIR PARTS

[www.ersatzteil-service.de](http://www.ersatzteil-service.de)

## 16 HP 44" RIDING YARD TRACTOR – MODEL NUMBER YE16H44B AGRI-FAB TRANSAXLE – MODEL NUMBER 486.121431X

KEY NO.	PART NO.	DESCRIPTION	KEY NO.	PART NO.	DESCRIPTION
1	44077	Housing, Half L.H.	36	44143	Key, Hi-Pro 3/16 x 5/8"
2	44076	Housing, Half R.H.	37	44277	Screw, Hex 1/4-20 x 1.50
3	44273	Axle L.H.	38	44134	Plate, Puck
4	44272	Axle R.H.	39	44132	Puck, Brake
5	44121	Bearing, Ball	40	44300	Screw, Hex W/Patch 1/4-20 x 2.00
6	44008	Washer, Flat 3/4 x 1-1/8 x .030	41	44123	Screw, Hex Self-Tap 1/4-20 x 2.00
7	44096	Gear, Miter	42	44124	Screw, Hex Self-Tap 1/4-20 x 3.00
8	44097	Gear, Miter	43	44147	Bearing, Ball
9	44133	Nut, Hex Jam W/Patch 1/2-20	44	44232	Bearing, Ball
10	44089	Shaft, Cross	45	44083	Shaft, Pinion W/11 Tooth Gear
11	44271	Screw, Stud	46	44080	Shaft, Drive
12	44146	Snap, Ring	47	44342	Bearing, Needle
13	44128	Bearing, Thrust	48	44343	Bronze Thrust Brg. 5/8 x 1-1/4 x 7/64
14	62590	Housing Assembly, Differential	49	44151	Washer, Flat .62 x 1.0 x .040
15	44129	Bearing, Flange	---	44371	Washer, Flat .62 x 1.0 x .050
16	44095	Gear, Differential 72 Tooth	50	23711	Spacer
17	44126	Bolt, Torx Head 1/4-28 x 5/8"	51	44084	Coupling
18	44270	Shaft, Input	52	44523	Gear, 60 and 17 Tooth
19	44145	Snap, Ring	53	43178	Nut, Hex 1/4-20
20	44144	Retaining Ring 7/16"	54	44079	Gear, Drive Pinion 17 Tooth
21	44081	Housing, Input Bearing	55	44138	Bolt, Square Head
22	44099	Bearing, Needle	56	44278	Washer 15/16 x .265 x .125
23	44139	Bearing, Thrust	57	43177	Washer 1/4" Spring Lock
24	44109	Washer, Flat 5/8 x 1-1/8 x .030	58	44269	Pin, Roll 3/16" x 1/2"
25	44136	Key, Hi-Pro 3/32 x 5/8	59	44125	Washer, Flat .62 x 1.0 x .030
26	44122	Screw, Hex W/Patch 1/4-20 x 3/4	60	44346	Pin, Dowel 3/32 x 1/4
27	44078	Gear, Input Pinion 17 Tooth	61	44394	Seal, Grease
28	44371	Washer, Flat .62 x 1 x .05	62	44098	Shell, Durina-O Grease (20oz.)
---	44110	Washer, Flat .62 x 1.125 x .060	63	44504	Washer, Head Spring Lock 1/4"
---	44151	Washer, Flat .62 x 1 x .040	64	44137	Washer, Flat .50 x 1.0 x .020
29	44101	Pin, Cotter	---	44421	Washer, Flat .50 x 1.0 x .030
30	44142	Nut, Castle 5/16-24	65	62760	Assembly, Gear, Reduction
31	44130	Washer, Flat .343 x .88 x .062	66	62700	Assembly, Shaft, Input
32	23710	Arm, Brake Actuator	---	121431X	Transaxle Assembly Complete
33	44127	Pin, Brake Actuating			
34	44092	Brake, Yoke			
35	44090	Disc, Brake			

NOTE: All component dimensions given in U.S. inches  
1 inch = 25.4 mm