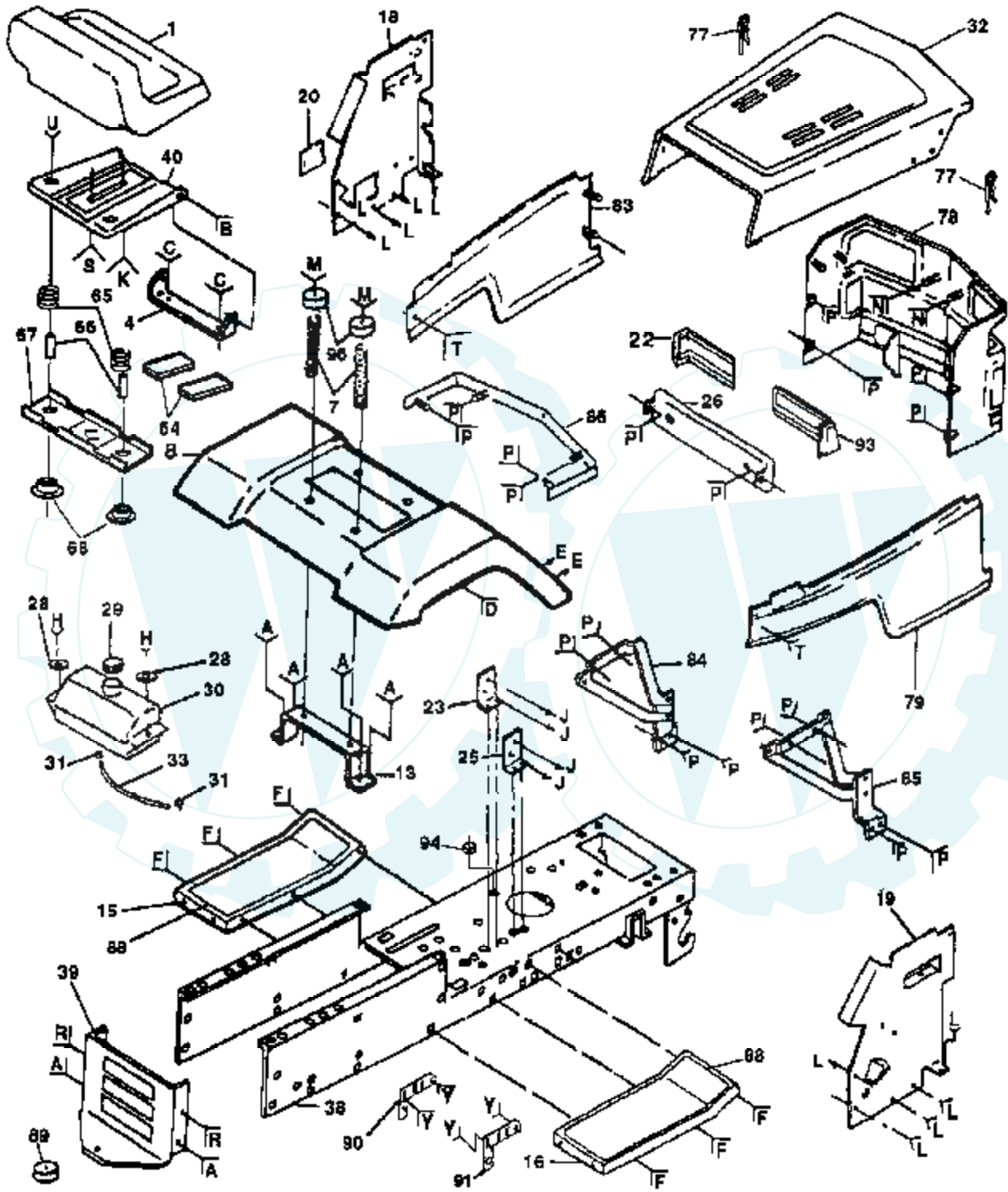


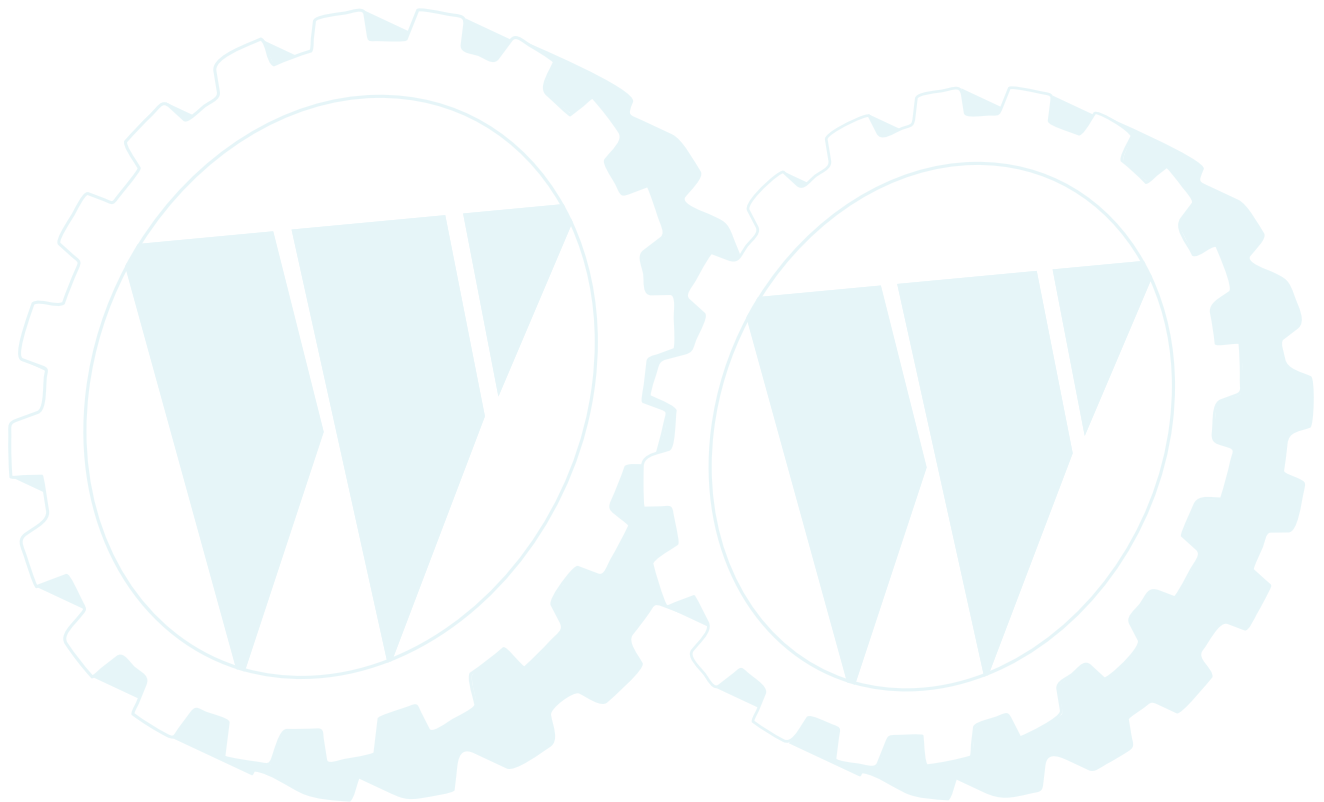
12 HP 38" TRACTOR - MODEL NUMBER X12D38B CHASSIS AND ENCLOSURE



- | | | | | | | | | | | | | | | | | | |
|---|---|---|---|---|---|---|---|---|---|---|---|---|---|---|---|---|---|
| A | B | C | D | E | F | H | L | K | L | M | N | P | R | S | T | U | Y |
| | | | | | | | | | | | | | | | | | |
| | | | | | | | | | | | | | | | | | |
| | | | | | | | | | | | | | | | | | |
| | | | | | | | | | | | | | | | | | |
| | | | | | | | | | | | | | | | | | |
| | | | | | | | | | | | | | | | | | |

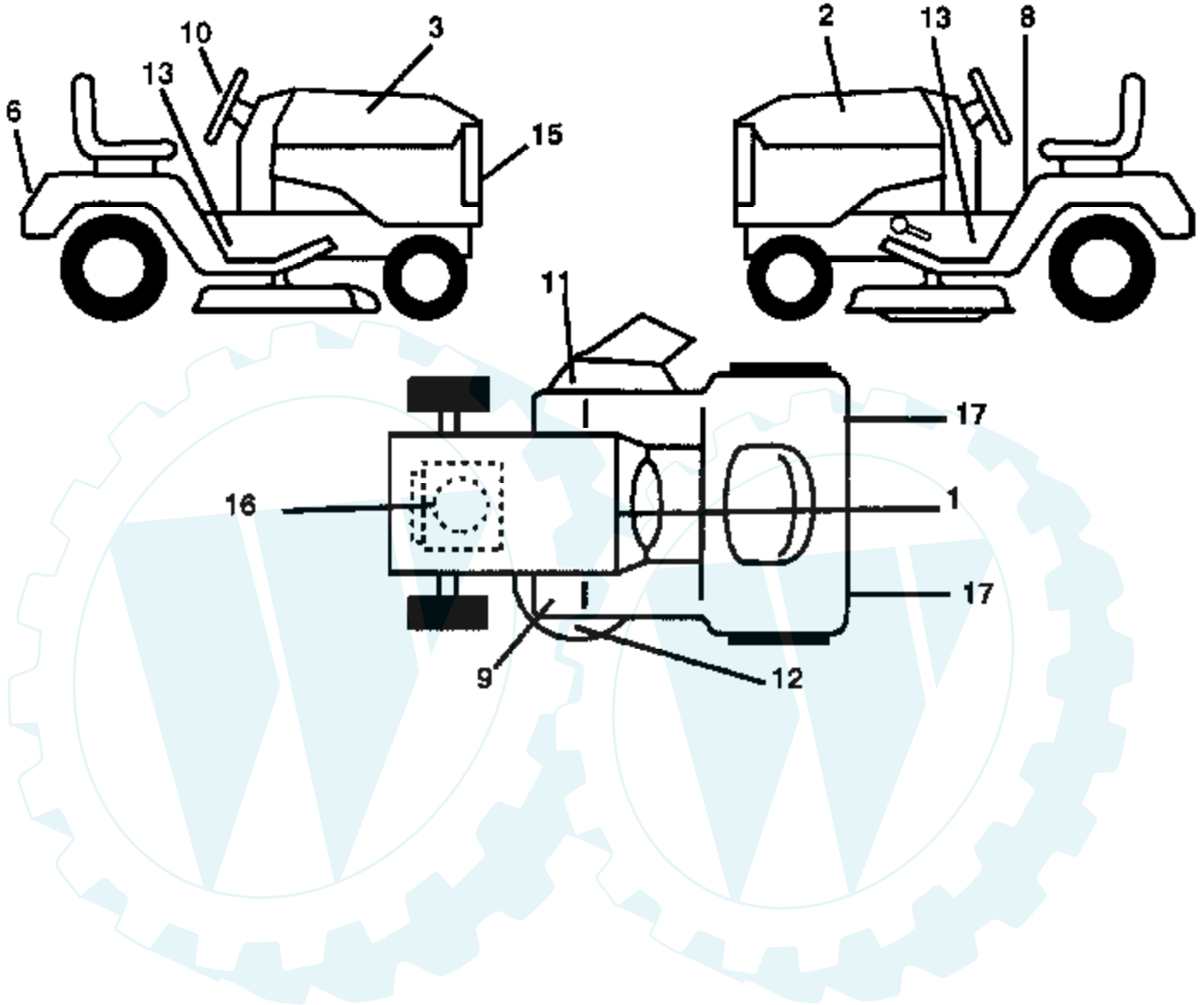
Ref #	Part Number	Qty	Description
1	127424X		SUB= 140121
2	17490612		SCREW
3	17490616		SCREW GTV
4	126656X		SUB= 140551
5	105529X		SUB= 139888
6	73680500		SUB= 73690500
7	124181X		SPRING COMPRESSIO
8	109872X475		FENDER
9	19131312		WASHER
10	74760612		SUB= 74780612
11	73680600		SUB= 73690600
12	17490608		SCREW LT
13	109873X		SUB= 136619
14	127018X		"BOLT,SHOULDER"
15	105465X475		SUB= 145244X475
16	105464X475		SUB= 145243X475
17	72110606		BOLT
18	122795X		PANEL DASH LH
19	126276X		SUB= 155936
20	121794X		COVER ACCESS
21	108067X		PAL NUT LT
22	108361X		LENS LH LT
23	130890		SWITCH BRACKET
24	19131210		WASHER
25	108236X		BRACKET LT
26	132257		SUB= 918132257
27	120068X		"KNOB 1/2" YT"
28	19091416		WASHER
29	123549X		SUB= 158990
30	109202X		TANK.FUEL.LT.
31	123487X		HOSE CLAMP
32	128561X475		HOOD ASSY
33	101335K		SUB= 8548R
34	73800600		NUT
35	17490412		SCREW HEX CRT
36	17021008		SCREW
37	17490608		SCREW LT
38	135034		SUB= 145501
39	127866		DRAWBAR LT/YT
40	131451		SUB= 155925
49	19171912		WASHER
59	19131614		WASHER
62	72050411		SUB= 872050411
63	123976X		SUB= 73900400
64	121251X		STRIP FORM
65	121250X		SPRING
66	134300		SPLIT SPACER
67	121246X		BRKT SWITCH
68	121248X		BUSHING
77	4921H		SPRING.RETAINER
78	128313		SUB= 532128313
79	106927X475		"SIDE PANEL,RH"
80	127317X		"SCREW,SPECIAL"
81	129964		SUB= 129664
82	127316X		RETAINER
83	106929X475		"SIDE PANEL,LH"
84	105797X		"HINGE,HOOD,LH T"
85	105792X		"HINGE,HOOD,RH T"

Ref #	Part Number	Qty	Description
86	109745X475		"STRAP,GRILL"
87	127318X		"GROMMET,PLASTIC"
88	133671		FOOTREST PAD
89	124028X		SUB= 532124028
90	134618		BRKT ASM PIVOT LH
91	134617		BRKT ASM PIVOT RH
92	72140606		BOLT
93	108360X		LENS RH LT
94	9151R		SNAP BUSHING T
95	19091216		WASHER PM
96	124238X		CAP SPRING

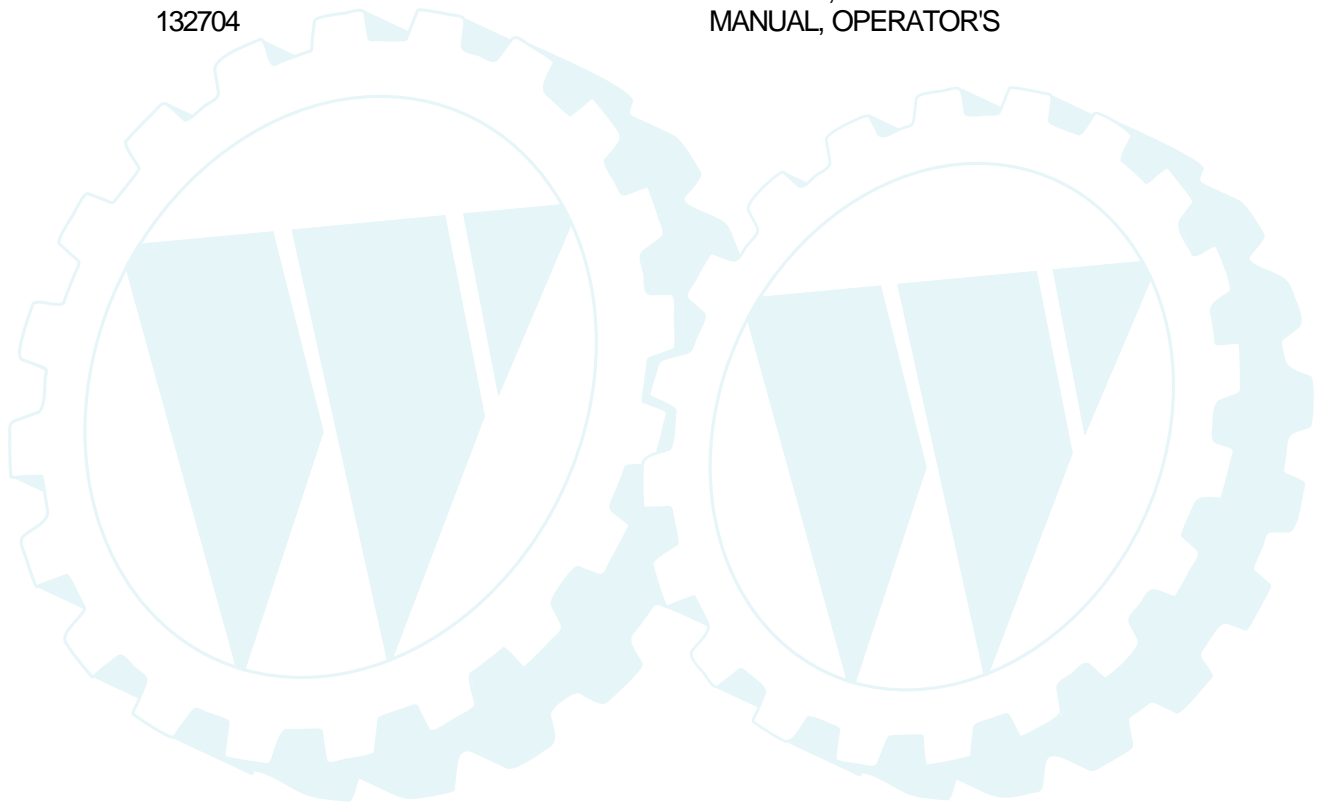


12 HP 38" TRACTOR - MODEL NUMBER X12D38B

DECALS

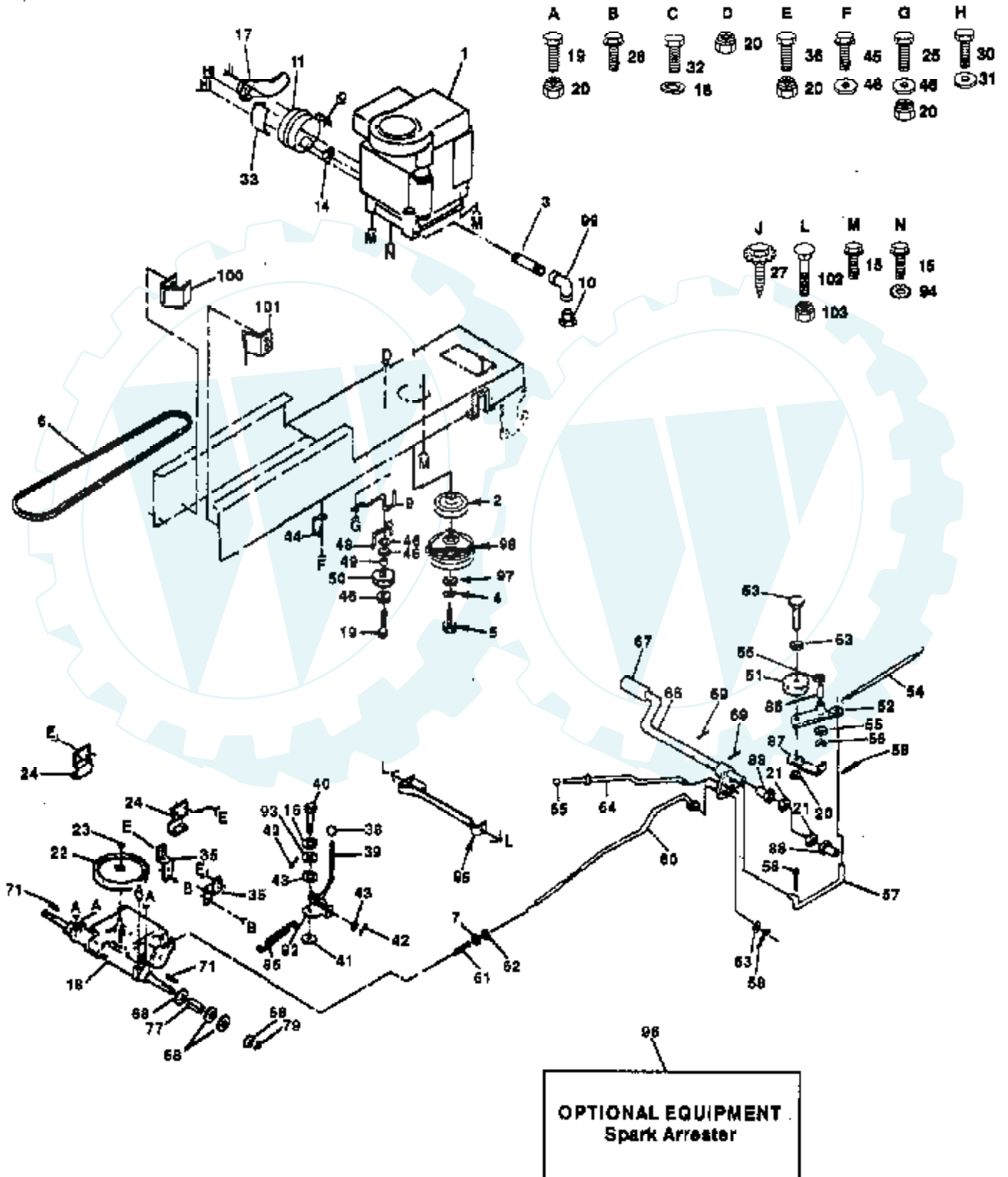


Ref #	Part Number	Qty	Description
1	109821X		SUB= 138956
2	128011		NLA
3	128010		HOOD DECAL RH
6	127999		DECAL, FENDER
8	133795		DECAL CAUTION
9	101892X		DECAL T
10	128008		"DECAL,STR WHL "
11	121349X		DECAL WARNING
12	109820X		DECAL YT
13	134543		DECAL, SPEED/DECK SIZE, CHASSIS
15	128007		"DECAL,GRILL "
16	120601X		DECAL.ENG.271967
17	106202X		REFLECTOR-TAIL YT
	136318		"MANUAL, PARTS"
	132704		MANUAL, OPERATOR'S



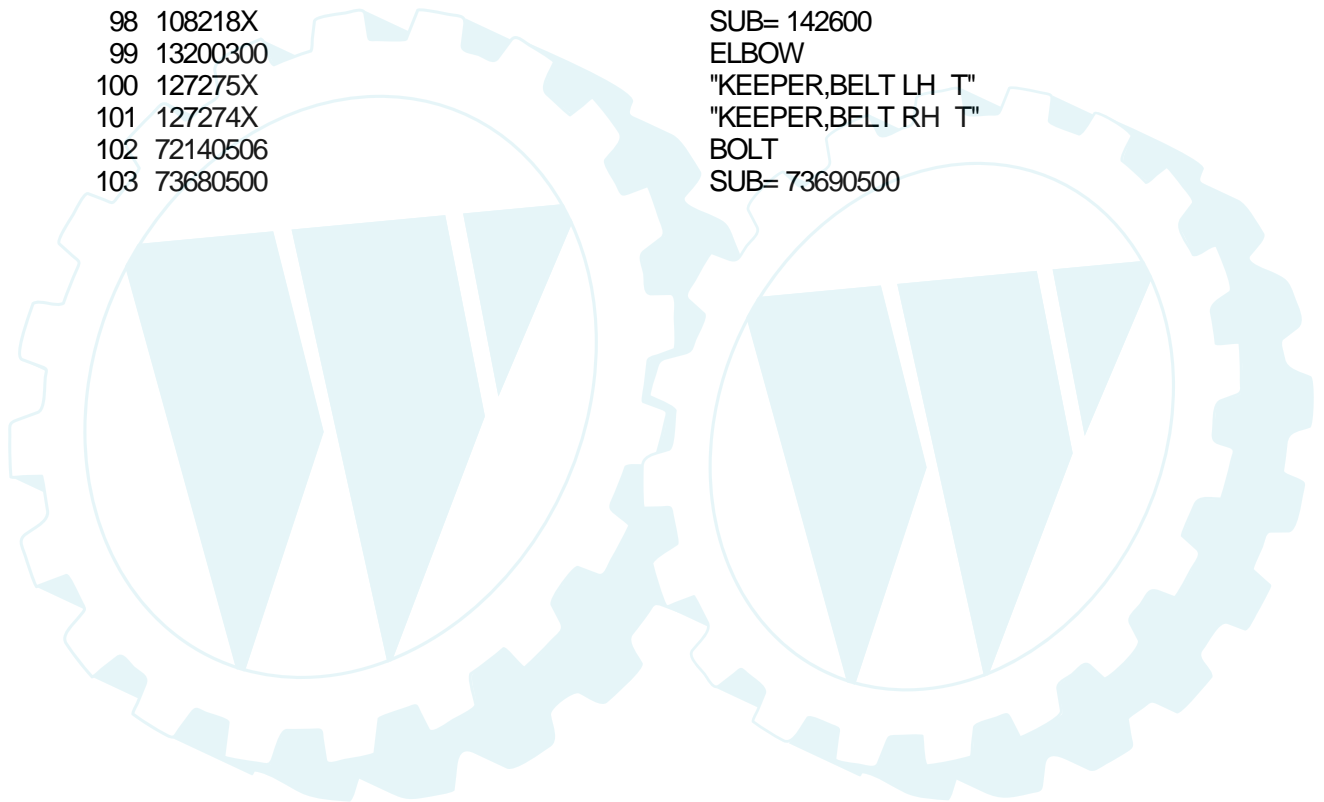
12 HP 38" TRACTOR - MODEL NUMBER X12D38B

DRIVE



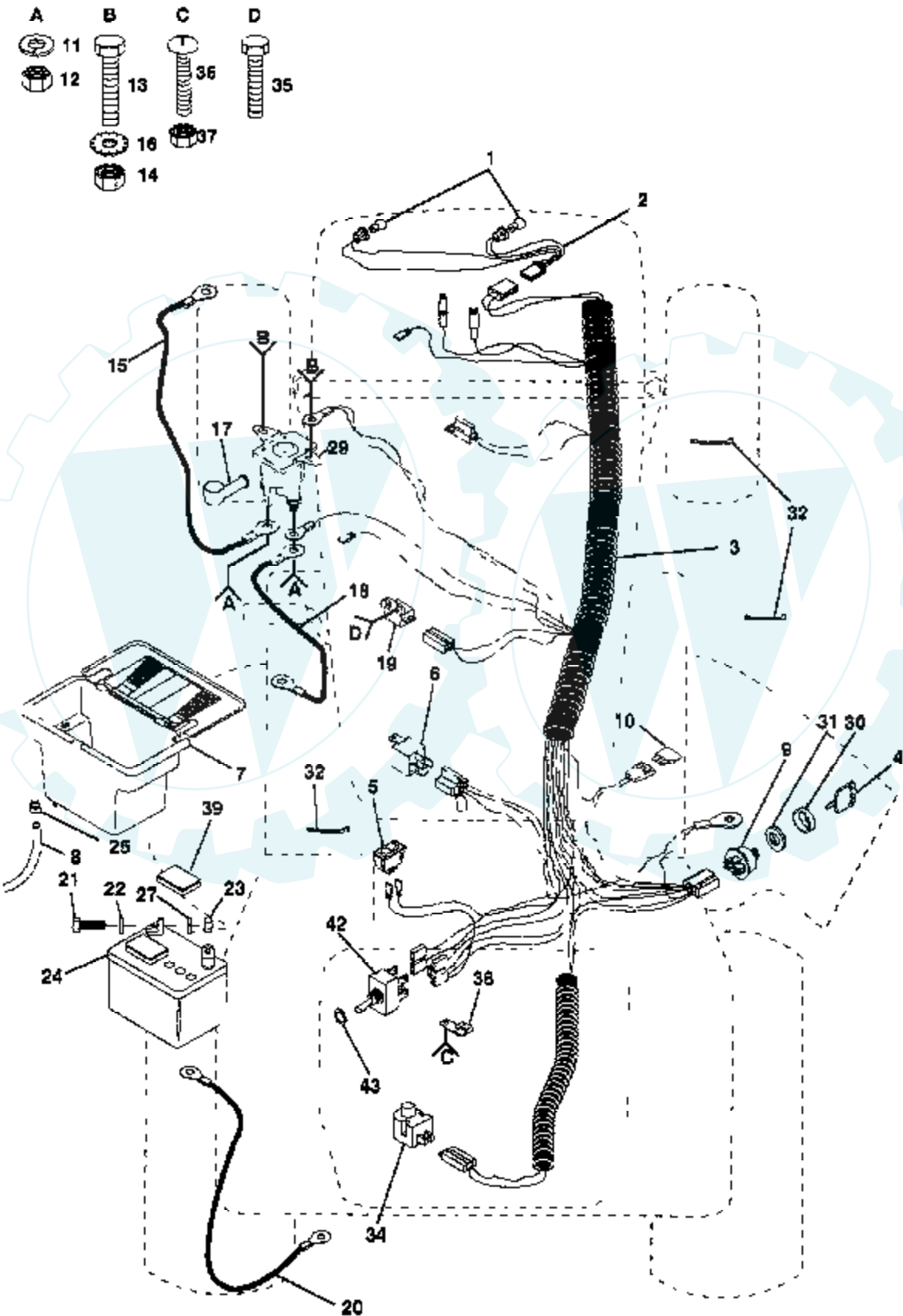
Ref #	Part Number	Qty	Description
1	283707		ENGINE
2	109841X		SUB= 136905
3	13280324		PIPE NIPPLE
4	10040700		LOCKWASHER
5	71170768		SUB= 150280
6	125907X		BELT-V.90.0.GD.DR
7	73800600		NUT
8	129921		KEEPER.BELT.ENG.L
10			REFER TO IMAGE
11	101273M		MUFFLER LTV
14	125593X		SUB= 272293
15	17490624		SCREW LT
16	10040400		LOCKWASHER
17	108767X		DEFLECTOR MUFFLER
19	74760644		BOLT
20	73680600		SUB= 73690600
21	19211616		WASHER LT
22	123666X		PULLEY TRANS
23	12000028		SUB= 2267J
24	109167X		BRACKET LT
25	74760616		BOLT
26	17490512		SCREW
27	17030808		SUB= 17030814
30	74780556		"BOLT,HEX"
31	19111012		WASHER T
32	74780408		BOLT
33	101159L		SHIELD HEAT LTV
35	121520X		STRAP TORQUE
36	74760612		SUB= 74780612
38	106933X		KNOB T (1/2-HOLE)
39	124461X		ROD SHIFTER
40	71040412		SUB= 74550412
41	105701X		WASH-SHFT PLT LT
42	76020416		PIN COTTER 1/8
43	19151216		WASHER
44	104777X		SUB= 140312
45	17490612		SCREW
46	19131312		WASHER
48	109070X		BELT KEEPER LT
49	4470J		SPACER T
50	123674X		PULLEY.IDLER.FLAT
51	127783		SUB= 139245
52	123789X		ARM IDLER
53	74760624		SUB= 74930624
54	105709X		"SPRING, RETURN LT"
55	110812X		WASHER LT
56	12000039		KLIP RING
57	105710X		"LINK, CLUTCH T"
58	76020412		COTTER PIN
60	131867		BRAKE ROD
61	106888X		SPRING ROD LT
62	73350600		NUT
63	19131316		WASHER
64	128904		PARKING BRAKE ROD
65	71673		PLUNGER CAP T
66	122424X		SUB= 149001
67	8883R		PEDAL COVER T
68	121749X		WASHER

Ref #	Part Number	Qty	Description
69	1572H		SUB= 2882J
71	123583X		SQUARE KEY
77	109502X		SPACER LT
79	12000001		E-RING LT
85	110422X		SUB= 146682
86	105706X		"LY, BEARING"
87	123205X		RETAIN BELT
88	120183X		NYLON BEARING
92	106919X		PLATE SHIFT LT
93	19091210		WASHER LT
94	11050600		LOCKWASHER
95	109169X		SUB= 109172X
96	121851X		SUB= 532137180
97	126197X		WASHER
98	108218X		SUB= 142600
99	13200300		ELBOW
100	127275X		"KEEPER,BELT LH T"
101	127274X		"KEEPER,BELT RH T"
102	72140506		BOLT
103	73680500		SUB= 73690500



12 HP 38' TRACTOR - MODEL NUMBER X12D38B

ELECTRICAL

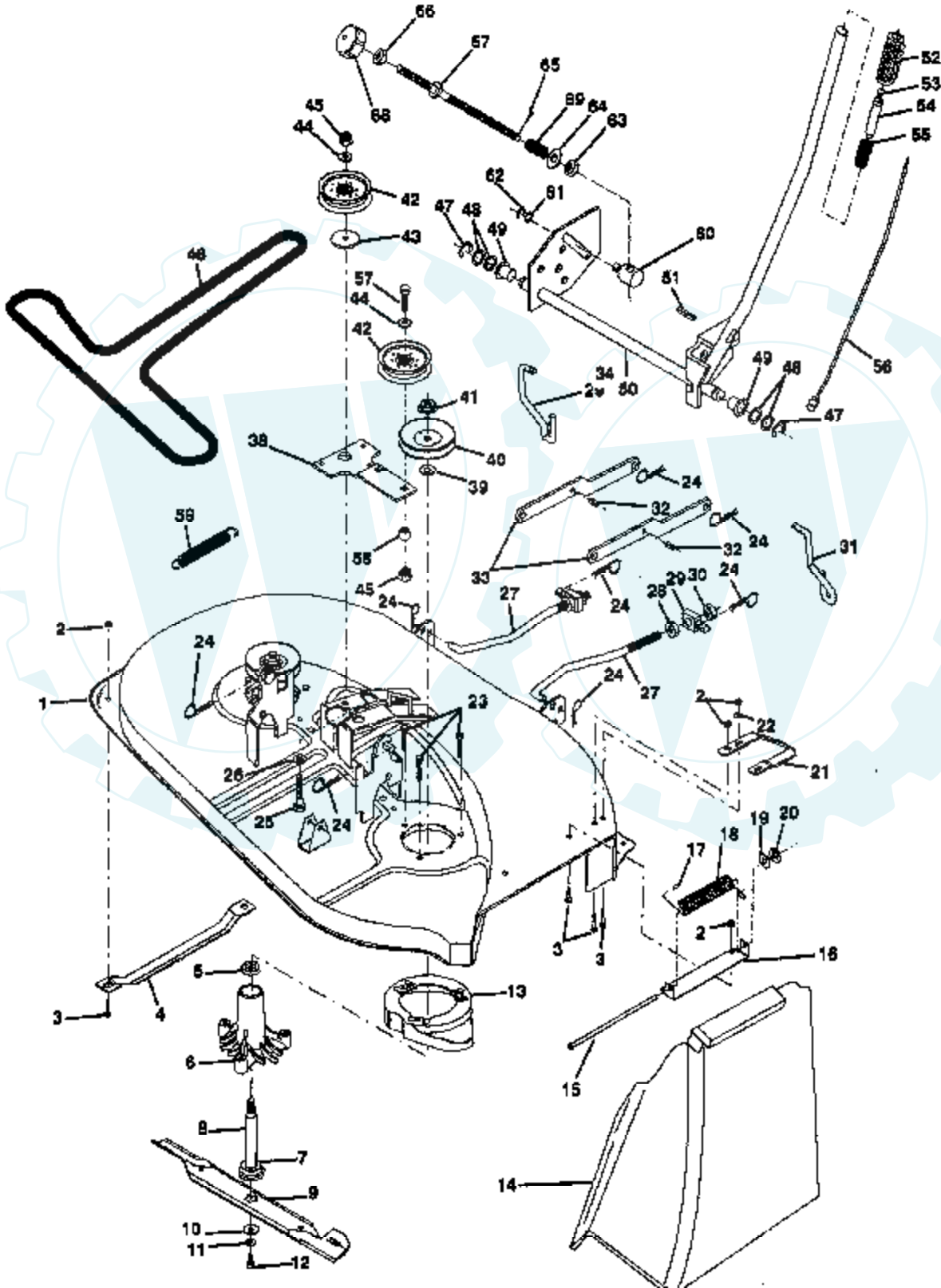


Ref #	Part Number	Qty	Description
1	7662J		SUB= 4152J
2	110859X		HARNESS T
3	137148		"HARNESS, IGNITION"
4	122147X		KEY
5	110712X		SWITCH LT
6	109748X		RELAY ASSY T
7	129965		SUB= 156417
8	109238X		TUBE T
9	4406R		SUB= STD365402
10	108824X		FUSE HYT
11	10090400		SUB= 10040400
12	73350400		NUT
13	74780408		BOLT
14	73510400		NUT
15	4799J		"CABLE T, BATTERY"
16	11050400		LOCKWASHER
17	131563		SUB= 154336
18	132202		SUB= 146147
19	104445X		SWITCH-INTER. GT
20	4207J		CABLE T
21	74760412		BOLT LT
22	19091016		WASHER
23	73220400		SUB= 50675
24	121265X		SUB= 123899X
25	109596X		HOSE CLAMP T
27	10040400		LOCKWASHER
29	109081X		SUB= 146154
30	123620X		SUB= 141226
31	124211X		NUT IGNITION
32	7192J		WIRE TIE
34	121305X		SWITCH SEAT
35	17021008		SCREW
36	74641008		SUB= 71031008
37	73951000		"NUT,KEPS"
38	4171R		CLIP T
39	121264X		"CAP,BATTERY "
42	126016X		SUB= 4021J
43	4022J		HEX NUT T

REPAIR PARTS

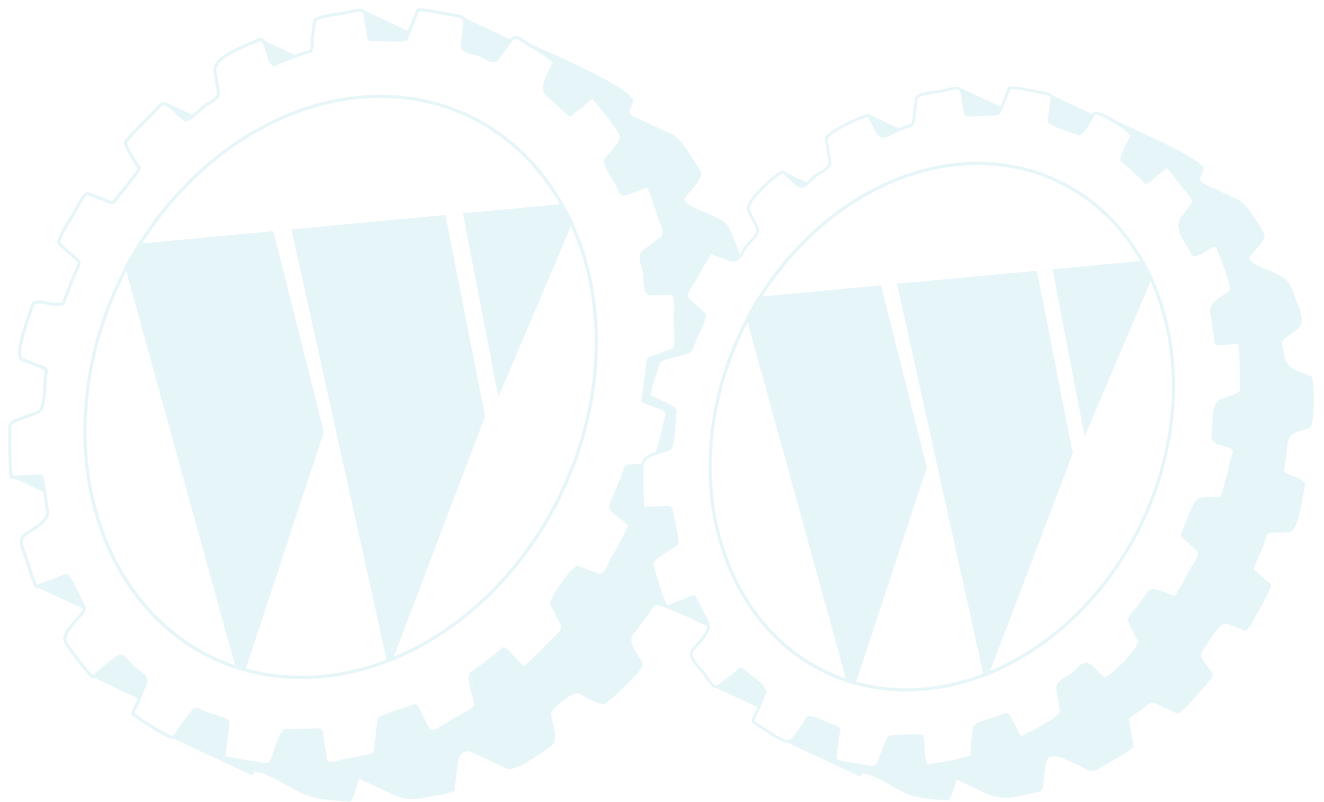
12 HP 38" TRACTOR - MODEL NUMBER X12D38B

38" MOWER

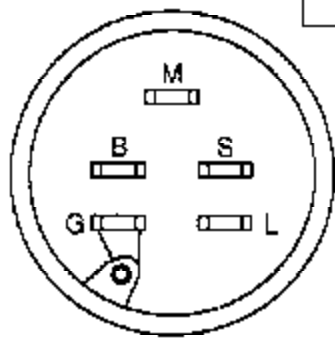
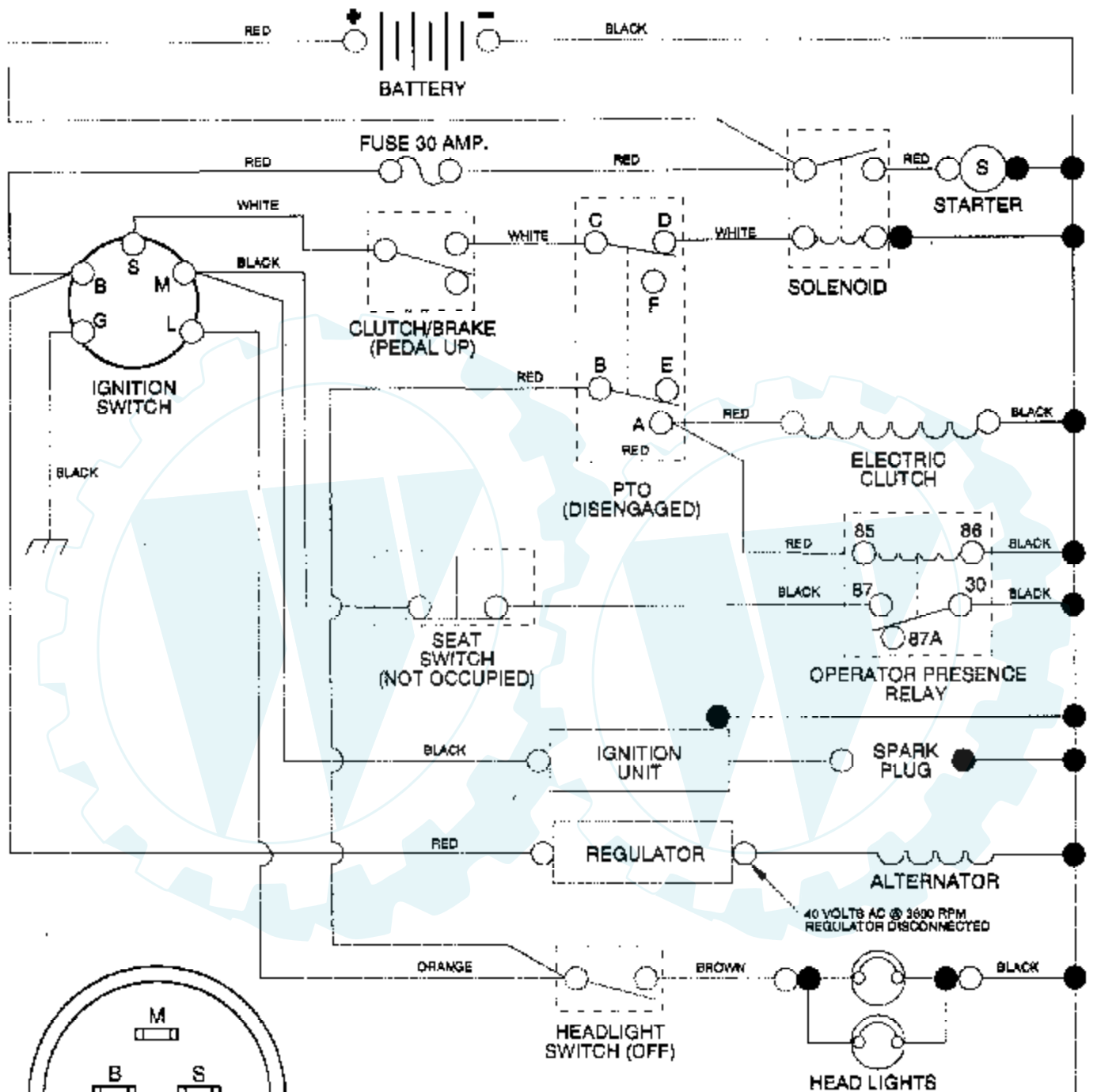


Ref #	Part Number	Qty	Description
1	129365		SUB= 145775
2	73680500		SUB= 73690500
3	72140506		BOLT
4	7631J		RUNNER-LH M
5	110485X		BEARING
6	128774		HSG ASM MANDREL
7	129895		BEARING.BALL
8	133172		SUB= 137646
9	127842		SUB= 138497
10	129962		WASHER BLADE
11	10030600		SUB= 10040600
12	850857		BLADE BOLT
13	128961		SUB= 140329
14	106736X		DEFLECTOR-SHLD T
15	106735X		ROD-HINGE T
16	105896X		SUB= 137607
17	110452X		NUT PUSH M
18	106734X		SUB= 123713X
19	19111016		WASHER
20	105304X		CAP-SLEEVE LT
21	128772		RUNNER RH
22	19111216		WASHER M
23	78158		SUB= 17580520
24	4939M		SUB= 85902
25	74600636		BOLT
26	19131612		WASHER GT
27	127218		LINK.FRONT
28	73350800		NUT
29	130171		TRUNION
30	73800800		NUT.LK.W/WSH.1/2.
31	135388		LIFT LINK RH
32	135563		"PIN,SPRING"
33	130832		SUB= 130833
34	134619		LINK LIFT LH
38	133840		IDLER ARM ASSY
39	129963		WASHER
40	129206		SUB= 153532
41	73050900		SUB= 139729
42	131494		FLAT IDLER PULLEY
43	122052X		SPACER RETAINER
44	19131316		WASHER
45	73680600		SUB= 73690600
46	131290		BELT-V.88.12.MW
47	12000002		SUB= 2225J
48	19211621		WASHER
49	120183X		NYLON BEARING
50	122507X		SUB= 145117
51	105767X		PIN-GROOVE LT
52	109413X		GRIP
53	124526X		SUB= 125925X
54	122364X		SUB= 125925X
55	122512X		SUB= 532122512
56	122514X		SUB= 136973
57	74760644		BOLT
58	132823		SUB= 532132823
59	131950		SPRING.EXTENSION
60	110810X		TRUNION LT
61	19151216		WASHER

Ref #	Part Number	Qty	Description
62	12000037		KLIP RING
63	110807X		NUT T
64	19131016		WASHER
65	76020308		SUB= 3145
66	73350600		NUT
67	126971X		SUB= 532126971
68	100734K		SUB= 138057
69	2876H		SPRING T
	133754		SUB= 136262
	130794		MANDREL ASM



SCHEMATIC

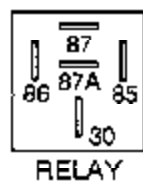


IGNITION SWITCH

POSITION	CIRCUIT
OFF	M + G
ON	B + L
START	B + S

WIRING INSULATED CLIPS

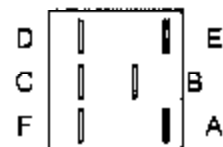
NOTE: IF WIRING INSULATED CLIPS WERE REMOVED FOR SERVICING OF UNIT, THEY SHOULD BE REPLACED TO PROPERLY SECURE YOUR WIRING



RELAY

PTO SWITCH	
POSITION	CIRCUIT
OFF	B + E, C + D
ON	B + A, C + F

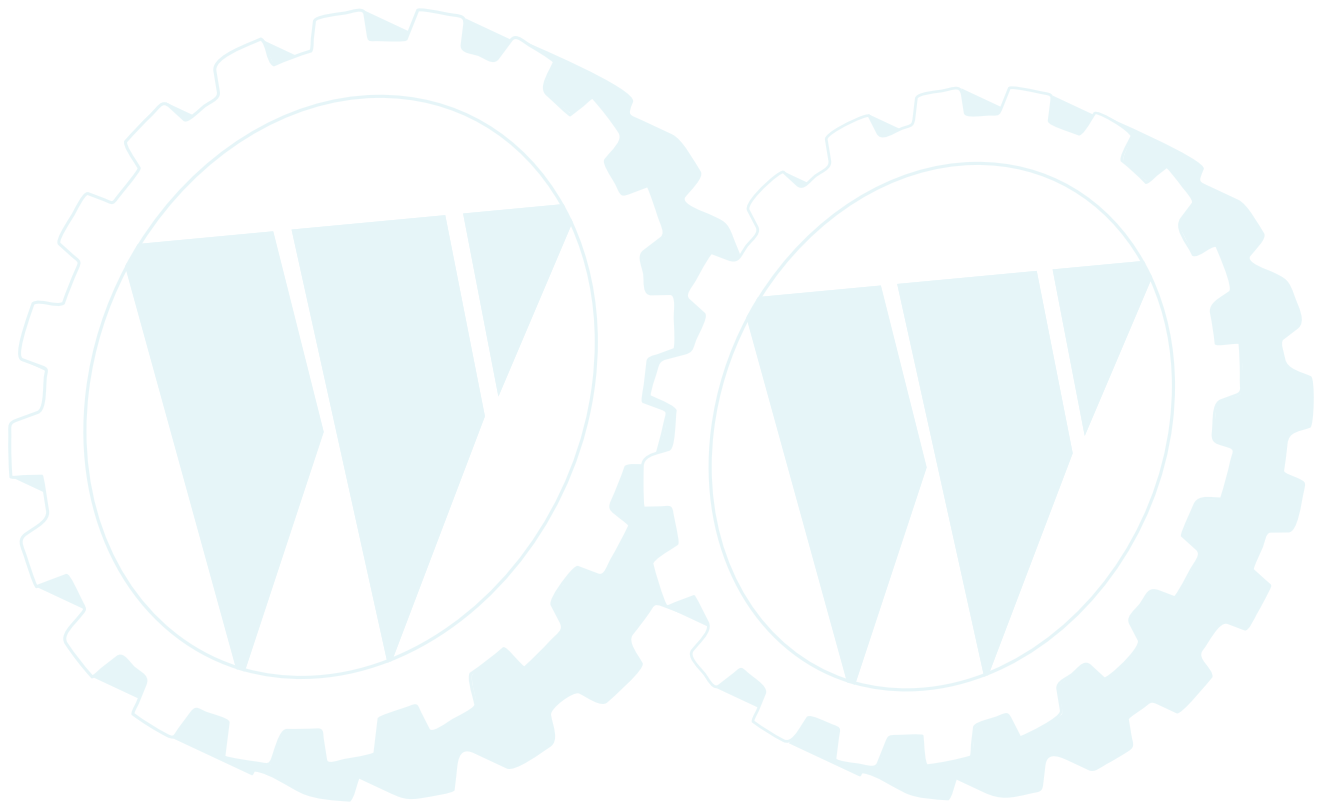
- NON-REMOVABLE CONNECTIONS
- REMOVABLE CONNECTIONS



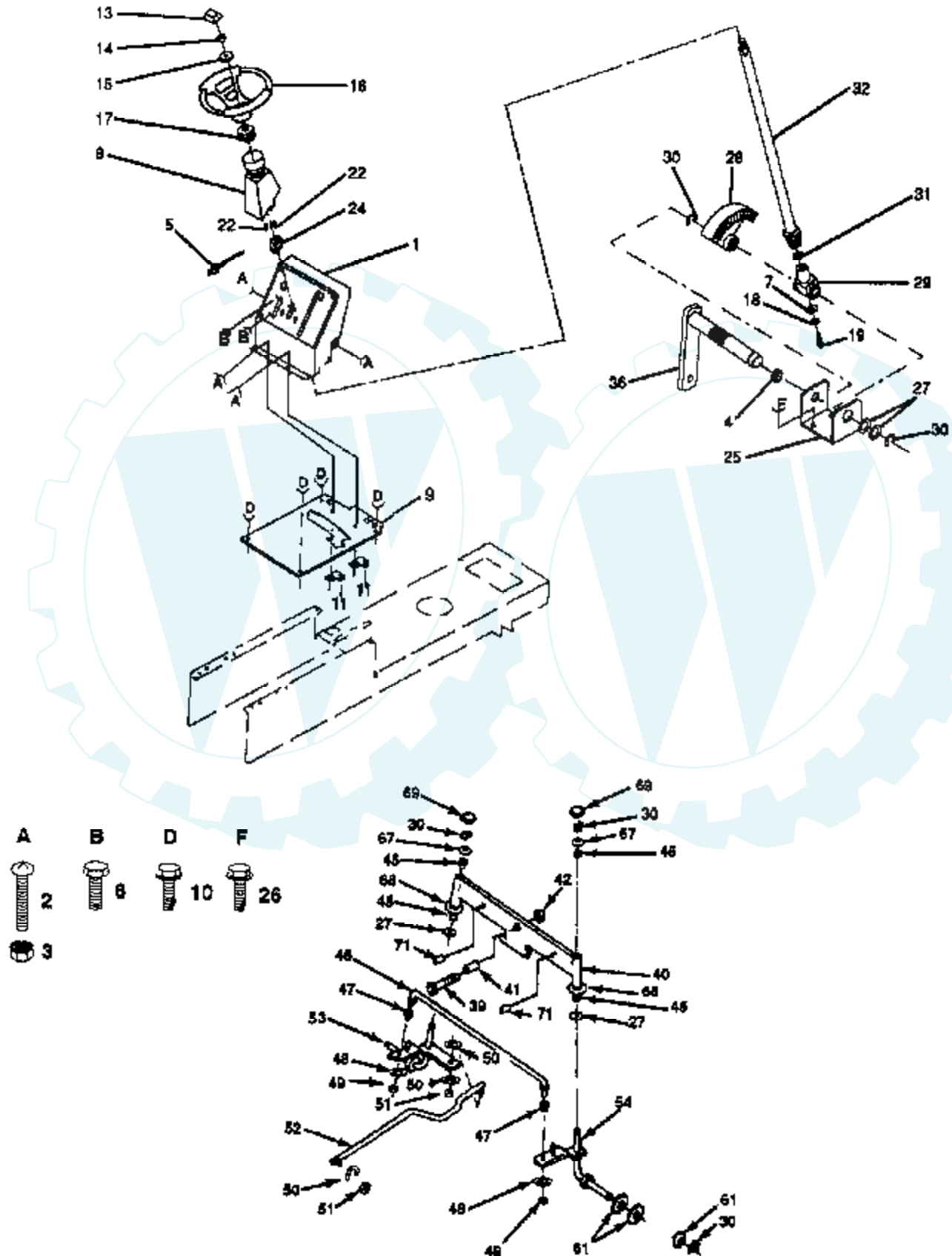
Ref # Part Number

Qty Description

REFER TO IMAGE



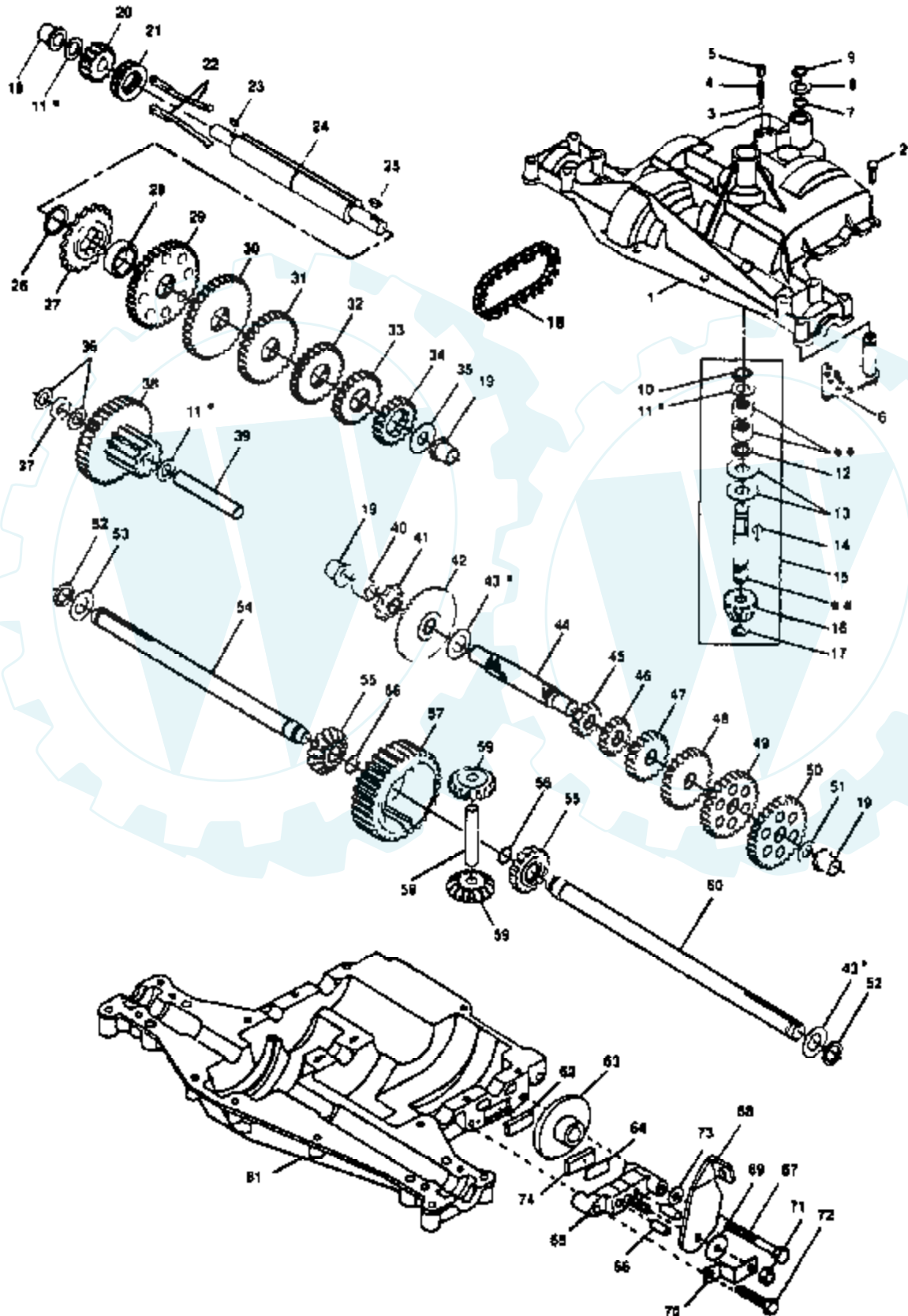
12 HP 38" TRACTOR - MODEL NUMBER X12D38B STEERING AND FRONT AXLE



Ref #	Part Number	Qty	Description
1	124650X012		DASH
2	74180512		SCREW
3	73510500		NUT
4	109816X		NYLINER T
5	132767		SUB= 132771
6	17720410		SCREW LT
7	126684X		SUB= 532126684
8	124417X		BOOT STR SHAFT
9	124464X013		SADDLE
10	17490608		SCREW LT
11	2751R		CLIP T
13	133742		ST WHL INSERT CAP
14	7810H		GRIPCO NUT
15	19133808		WASHER T
16	133741		SUB= 150547
17	104820X		ADAPTER-WHEEL LT
18	10040400		LOCKWASHER
19	71070410		"SCREW,SPECIAL"
22	17431008		SUB= 98000165
24	132196		SUB= 155106
25	124036X		"BRKT,STEERING"
26	17490612		SCREW
27	6266H		WASHER .T
28	124034X		SUB= 136874
29	124035X		SUPPORT.SHAFT
30	12000029		RING
31	57079		THRUST WASHER
32	132614		SHAFT ASM
36	127501		SUB= 918127501
39	74011056		BOLT HEX 5/8-11
40	131450		SUB= 142033
41	110438X		BEARING
42	73601000		SUB= 73901000
45	3366R		COL. SRTG. BEAR.
46	130467		TIE ROD
47	19111216		WASHER M
48	10040500		LOCKWASHER
49	73810500		NUT.LOCK.5/16-24
50	10040600		LOCKWASHER
51	73610600		SUB= 7810H
52	130468		SUB= 532130468
53	135227		SPINDLE LH
54	135528		SPINDLE, R.H.
61	121749X		WASHER
67	121748X		WASHER
68	19272016		WASHER
69	121232X		CAP
71	132624		AXLE PIN

12 HP 38" TRACTOR - MODEL NUMBER X12D38B TRANSAXLE DANA-MODEL NUMBER 4360-7

TRANSAXLE

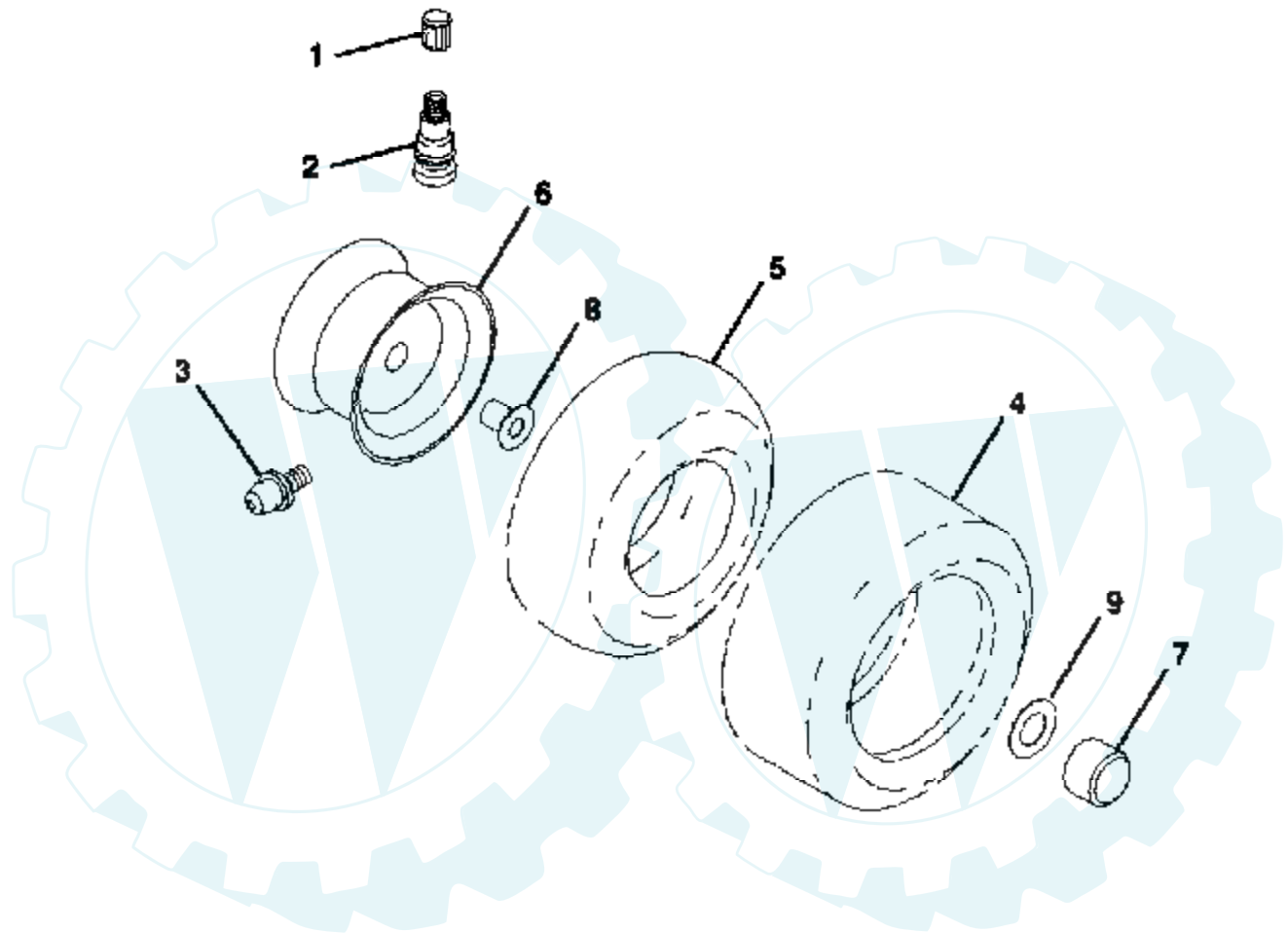


Ref #	Part Number	Qty	Description
1	3865		HOUSING UPPER
2	1919		SCREW
3	1151		BALL DETENT
4	3626		SPRING, DETENT
5	3623		SCREW, SET
6	4336		ASSY SHIFTER
7	3884		O-RING
8	3885		WASHER PLAIN
8	3886		WASHER PLAIN
8	3887		WASHER PLAIN
8	3888		WASHER PLAIN
8	3889		WASHER PLAIN
8	3121		WASHER PLAIN
8	3890		WASHER PLAIN
9	1100		RING RETAINING
10	1099		RING RETAINING
11	1959		WASHER PLAIN
11	1441		WASHER PLAIN
11	1423		WASHER, PLAIN .632 X 1.00 X .026
11	1082		WASHER PLAIN
11	1424		WASHER PLAIN
11	1068		WASHER PLAIN
11	1425		WASHER PLAIN
11	1358		WASHER PLAIN
11	1145		WASHER, PLAIN .632 X 1.00 X .060
11	1319		WASHER PLAIN
12	3312		O-RING
13	3876		WASHER, PLAIN .632 X 1.38 X .046
14	1374		KEY WOODRUFF #9
15	4134		ASSY KIT INPUT SHAFT
16	3590		PINION, BEVEL, 14 TEETH
17	3624		RING, RETAINING
18	3625		CHAIN, 24 PITCHES
19	1542		BEARING, FLANGE
20	3773		GEAR SPUR, 14 TEETH
21	3631		COLLAR CLUTCH
22	3828		KEY CLUTCH
23	1369		KEY WOODRUFF #3
24	3883		SHAFT INTERMEDIATE
25	1375		KEY, WOODRUFF, #61
26	3627		RING, RETAINING
27	3830		SPROCKET, 18 TEETH
28	3841		SPACER
29	3786		GEAR, SPUR, 37 TEETH
30	3785		GEAR, SPUR, 35 TEETH
31	3867		GEAR, SPUR, 30 TEETH
32	3783		GEAR, SPUR, 25 TEETH
33	3869		GEAR, SPUR, 22 TEETH
34	3741		GEAR SPUR
35	3628		WASHER, PLAIN .640 X 1.37 X .061
36	1423		WASHER, PLAIN .632 X 1.00 X .026
37	3422		SPACER .630 X 1.00 X .169
38	4286		ASSY GEAR COMB 12&35 TEETH
39	3877		SHAFT IDLER
40	3901		SPACER .635 X .875 X .755
41	3645		SPROCKET, 9 TEETH
42	3853		GEAR BEVEL 42 TEETH
43	3749		WASHER PLAIN

Ref #	Part Number	Qty	Description
43	3652		WASHER PLAIN
39	3693		WASHER PLAIN
43	3653		WASHER PLAIN
43	3408		WASHER PLAIN
43	3732		WASHER PLAIN
43	3184		WASHER, PLAIN .758 X 1.25 X .031
43	3733		WASHER PLAIN
43	3198		WASHER PLAIN
43	3734		WASHER PLAIN
43	3735		WASHER PLAIN
43	3736		WASHER PLAIN
43	3180		WASHER PLAIN
44	3882		SHAFT, DRIVE
45	3646		GEAR, SPUR, 12 TEETH
46	3707		GEAR SPUR, 15 TEETH
47	3866		GEAR, SPUR, 20 TEETH
48	3719		GEAR, SPUR, 25 TEETH
49	3868		GEAR, SPUR, 28 TEETH
50	3683		GEAR, SPUR, 31 TEETH
51	1145		WASHER, PLAIN .632 X 1.00 X .060
52	3191		SEAL FELT
53	3180		WASHER PLAIN
54	3880		AXLE LEFT HAND
55	3780		GEAR, MITER, 15 TEETH
56	3656		RING, RETAINING
57	3839		GEAR, SPUR, 32 TEETH
58	3919		SHAFT, CROSS
59	3781		GEAR, MITER, 15 TEETH
60	3881		AXLE, R.H.
61	3864		HOUSING LOWER
62	3920		PUCK, FRICTION
63	3276		DISC, BRAKE
64	3758		SPACER
65	3916		JAW, BRAKE
66	3843		PIN, DOWEL
67	3915		SCREW TAPPING
68	3768		LEVER, ACTUATING
69	3760		WASHER, PLAIN .321 X 1.00 X .055
70	3917		BRACKET, ANTI-ROTATION
71	3847		LOCKNUT 5/16-24
72	3724		SCREW TAPPING
73	3906		WASHER PLAIN
74	3907		PUCK, FRICTION
75	4300		GREASE

12 HP 38" TRACTOR - MODEL NUMBER X12D38B

WHEELS & TIRES



Ref #	Part Number	Qty	Description
1	59192		VALVE CAP
2	65139		VALVE STEM LT
3	278H		FITTING LT
4	106268X		SUB= 122074X
4	106222X		SUB= 122073X
5	7152J		TUBE.18X9.5-8
5	59904		TUBE.5.3/4.5/6
6	106108X475		"RIM,REAR"
6	106732X475		"RIM,FRT 6""
7	104757X		HUB CAP
8	9040H		"FLANGE, BEARING"
9	121748X		WASHER

