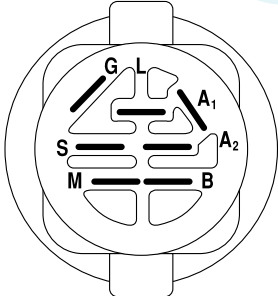
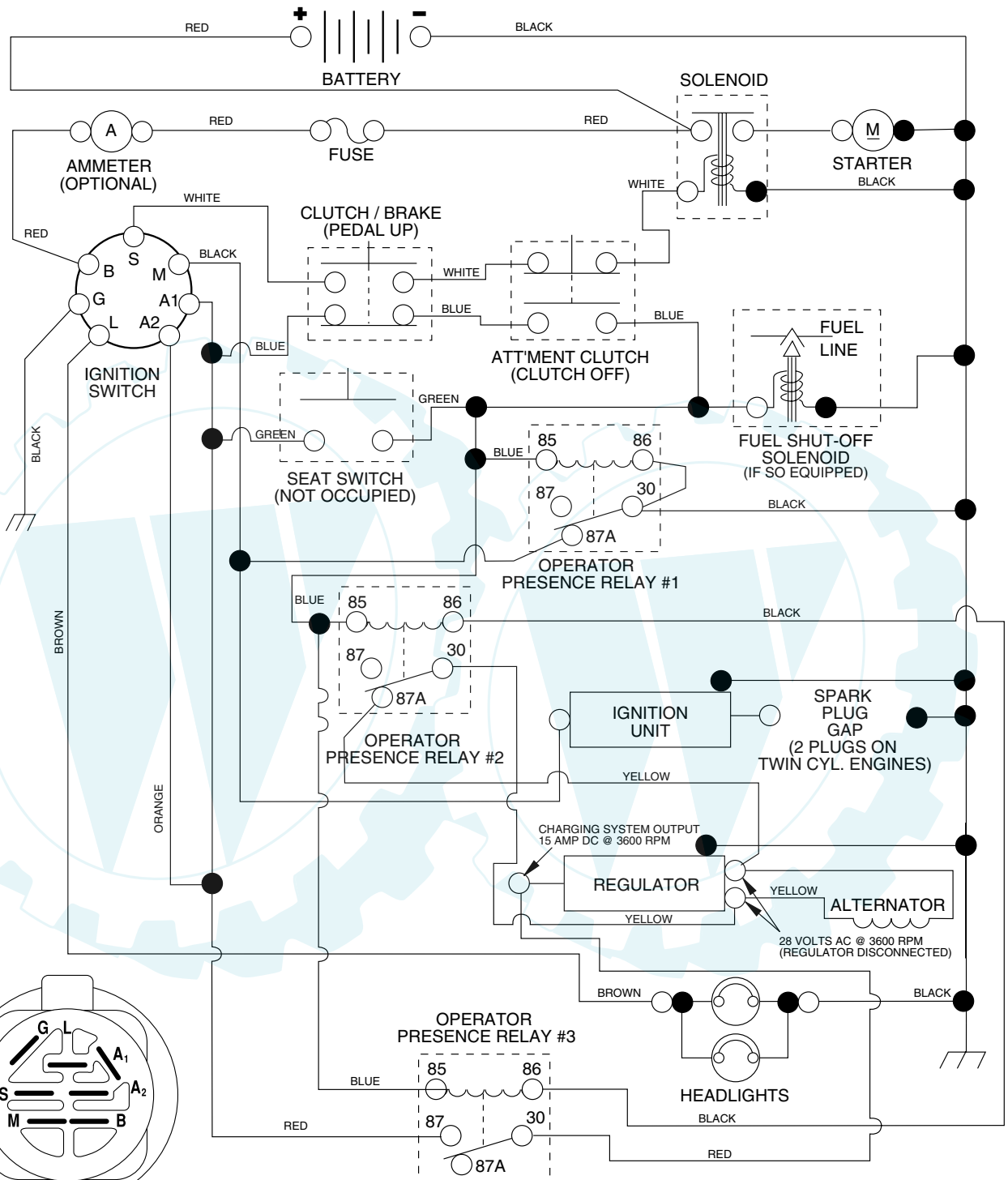


# REPAIR PARTS

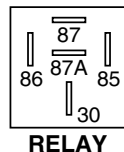
## TRACTOR - - MODEL NUMBER PR16H42STB

### SCHEMATIC



**IGNITION SWITCH**

POSITION	CIRCUIT	"MAKE"
OFF	M+G+A1	NONE
RUN/LIGHT	B+A1	A2+L
RUN	B+A1	NONE
START	B + S + A1	NONE



**RELAY**

● ——— NON-REMOVABLE CONNECTIONS

○ ——— REMOVABLE CONNECTIONS

**WIRING INSULATED CLIPS**

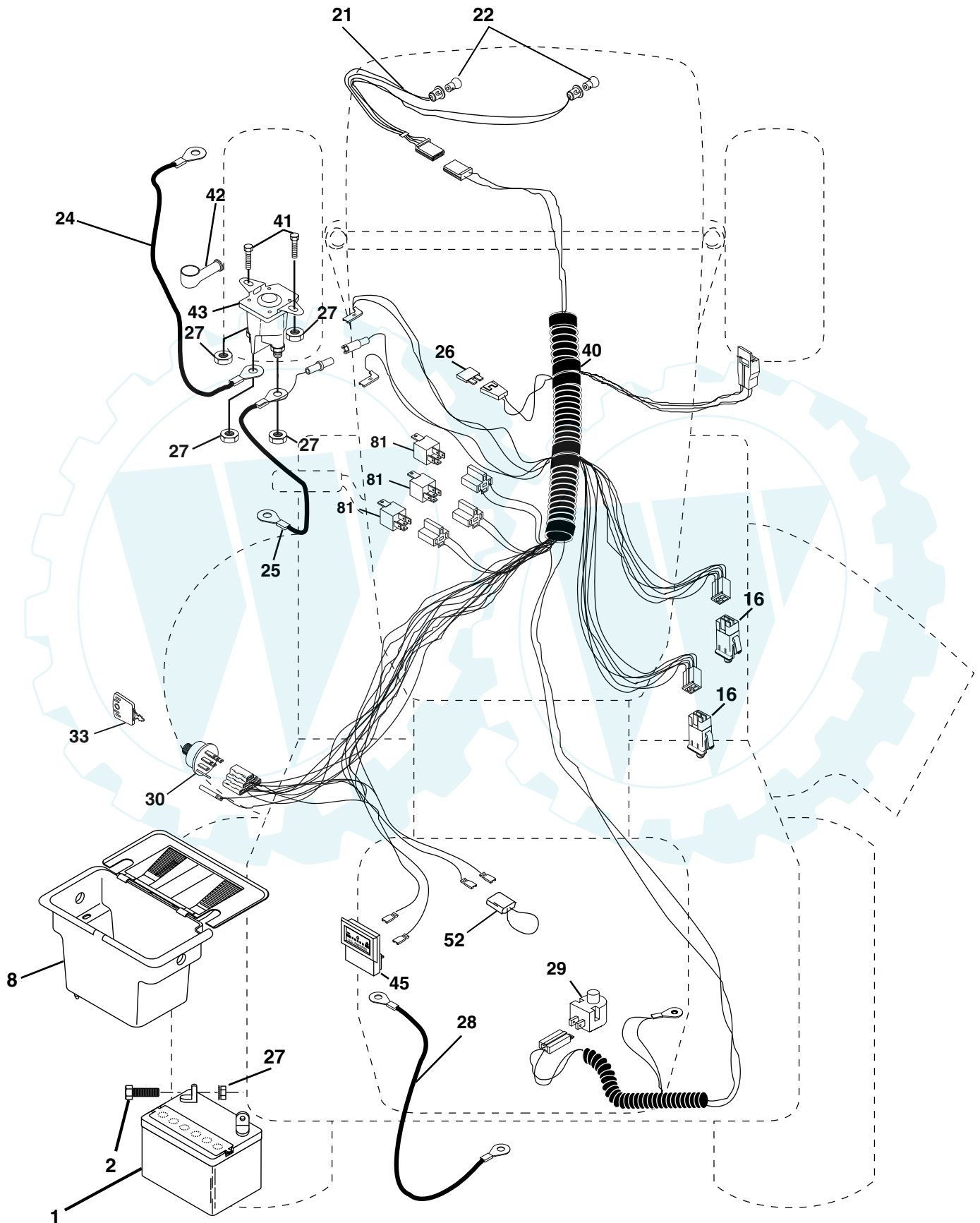
**NOTE:** IF WIRING INSULATED CLIPS WERE REMOVED FOR SERVICING OF UNIT, THEY SHOULD BE REPLACED TO PROPERLY SECURE YOUR WIRING.

# REPAIR PARTS

[www.ersatzteil-service.de](http://www.ersatzteil-service.de)

## TRACTOR - - MODEL NUMBER PR16H42STB

### ELECTRICAL

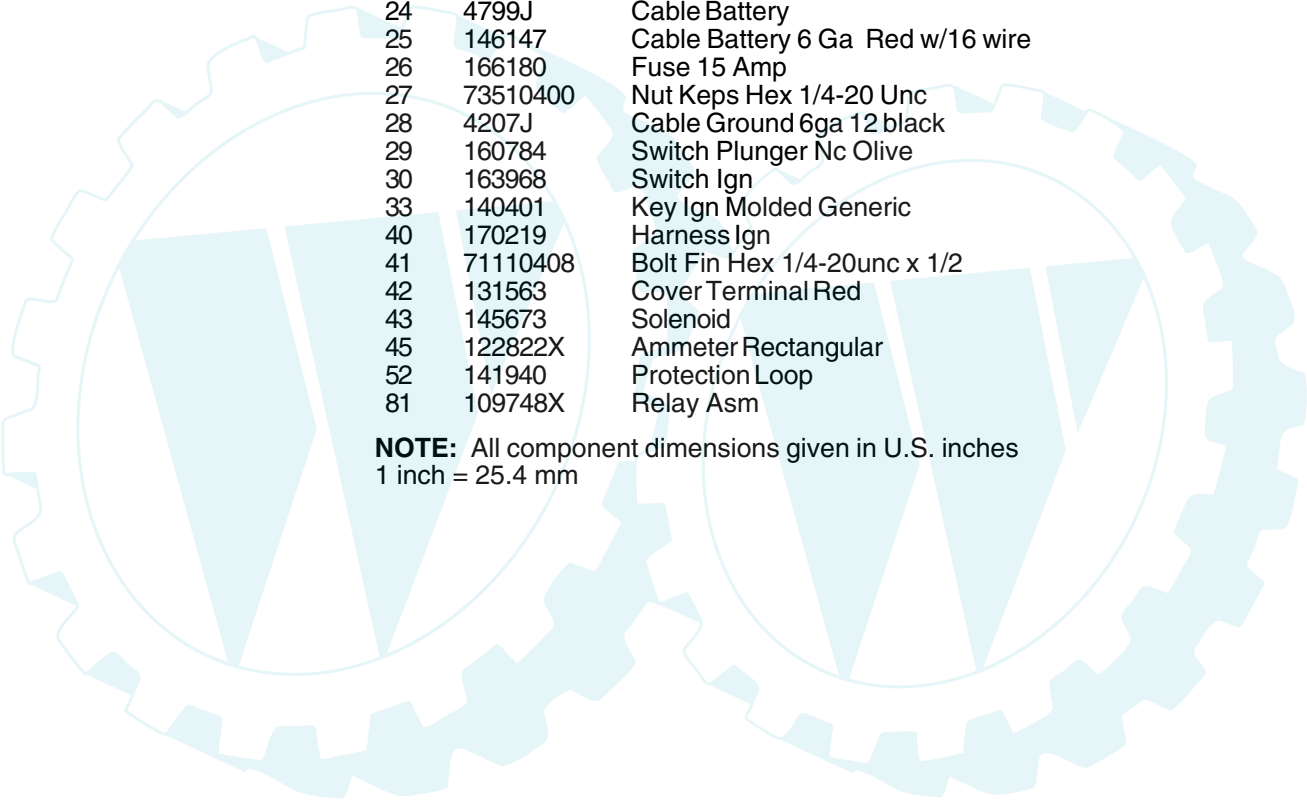


# REPAIR PARTS

[www.ersatzteil-service.de](http://www.ersatzteil-service.de)

## TRACTOR - - MODEL NUMBER PR16H42STB

### ELECTRICAL



KEY NO.	PART NO.	DESCRIPTION
1	144925	Battery
2	74760412	Bolt Hex Hd 1/4-20unc X 3/4
8	156417	Case Battery Mech Hinge
16	161343	Switch Interlock Push-In
21	166181	Harness Socket Light
22	4152J	Bulb, Light # 1156
24	4799J	Cable Battery
25	146147	Cable Battery 6 Ga Red w/16 wire
26	166180	Fuse 15 Amp
27	73510400	Nut Keps Hex 1/4-20 Unc
28	4207J	Cable Ground 6ga 12 black
29	160784	Switch Plunger Nc Olive
30	163968	Switch Ign
33	140401	Key Ign Molded Generic
40	170219	Harness Ign
41	71110408	Bolt Fin Hex 1/4-20unc x 1/2
42	131563	Cover Terminal Red
43	145673	Solenoid
45	122822X	Ammeter Rectangular
52	141940	Protection Loop
81	109748X	Relay Asm

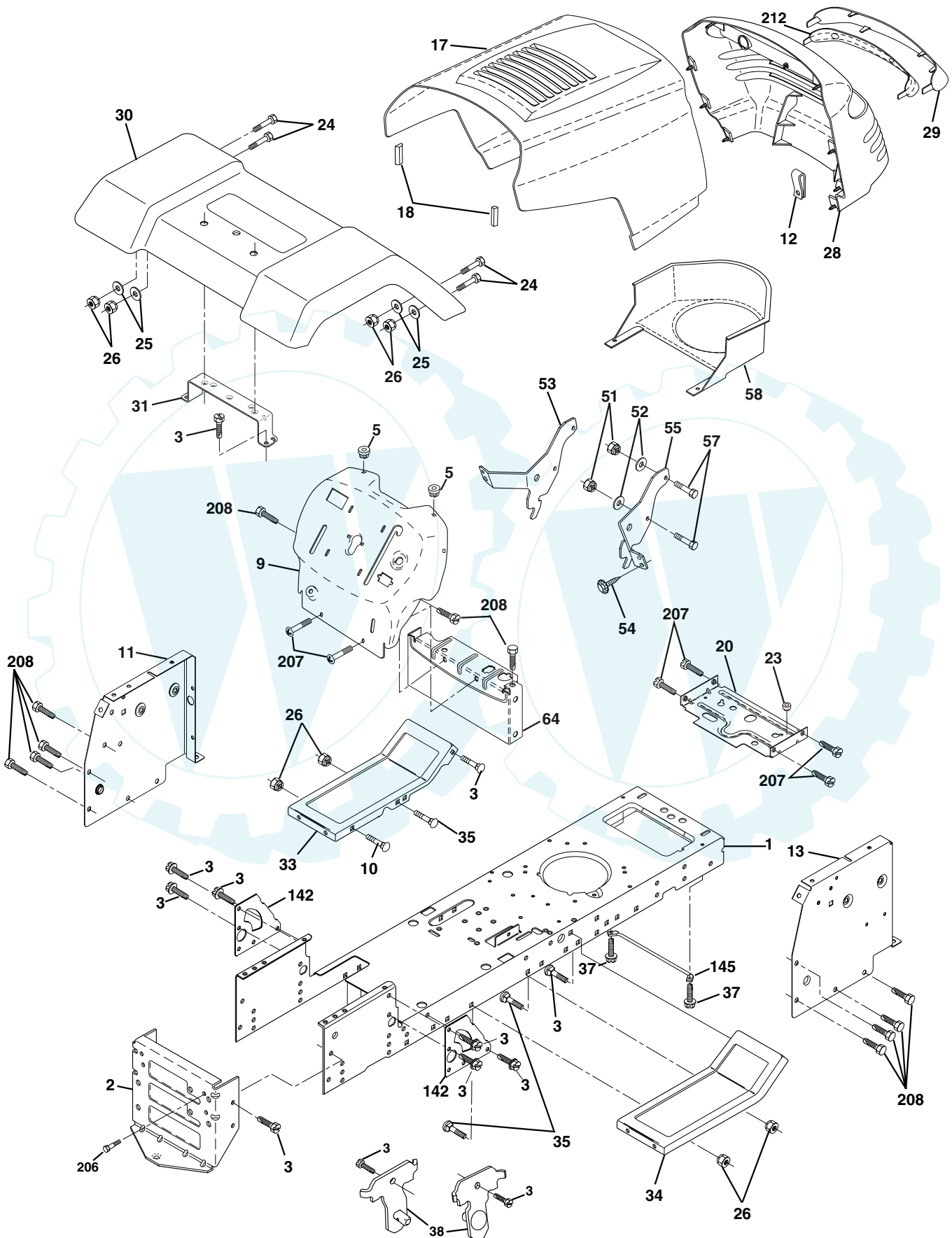
**NOTE:** All component dimensions given in U.S. inches  
1 inch = 25.4 mm

# REPAIR PARTS

[www.ersatzteil-service.de](http://www.ersatzteil-service.de)

## TRACTOR - - MODEL NUMBER PR16H42STB

### CHASSIS



## TRACTOR - - MODEL NUMBER PR16H42STB

### CHASSIS

KEY NO.	PART NO.	DESCRIPTION
1	169830	Chassis
2	169061	Drawbar
3	17060612	Screw 3/8-16 X .75
5	155272	Bumper Hood/Dash
9	168337X012	Dash P/L
10	72140608	Bolt Carriage 3/8-16 x 1
11	155927	Panel Dash Lh
12	145660	Clip Tinnerman
13	172108	Panel Dash Rh
17	159639X428	Hood LT/PL
18	126938X	Bumper Hood
20	156437	Plate Mtg Battery Fuel Tank Fr
23	124028X	Bushing
24	74780616	Bolt Fin Hex 3/8-16 x 1 Gr 5
25	19131312	Washer 13/32 X 13/16 X 12 Ga
26	73800600	Nut Lock Hex W/Ins 3/8-16 Unc
28	170474	Grille LT/PL
29	170472X599	Lens LT/PL
30	169468X428	Fender Footrest STLT Pnt
31	136619	Bracket Fender
33	145244X428	Footrest Pnt Lh
34	145243X428	Footrest Pnt Rh
35	72110606	Bolt Rdhd Sht Sqnk 3/8-16 x 3/4
37	17490508	Screw Thdrol 6/16-18 x 1/2 TYT
38	169834	Bracket Asm Pivot Mower Rear
51	73800400	Nut Lock Hex W/Ins 1/4-20
52	19091416	Washer 9/32 x 7/8 x 16 Ga.
53	144697	Bracjet Grille Lh
54	161464	Screw Hex Wshd 8-18 x 7/8
55	144696	Bracket Grille Rh
57	74780412	Bolt Hex 1/4-20 x 3/4
58	150127	Duct Air
64	154798	Dash Lower STLT
142	165867	Plate Reinforcement STLT
145	156524	Rod Pivot Chassis/Hood
206	170165	Bolt Shoulder 5/16-18
207	17670508	Screw Thdrol 5/16-18 x 1/2
208	17670608	Screw Thdrol 3/8-16 x 1/2
212	156229	Insert Lens Reflect P/L LT
--	5479J	Plug Button Black

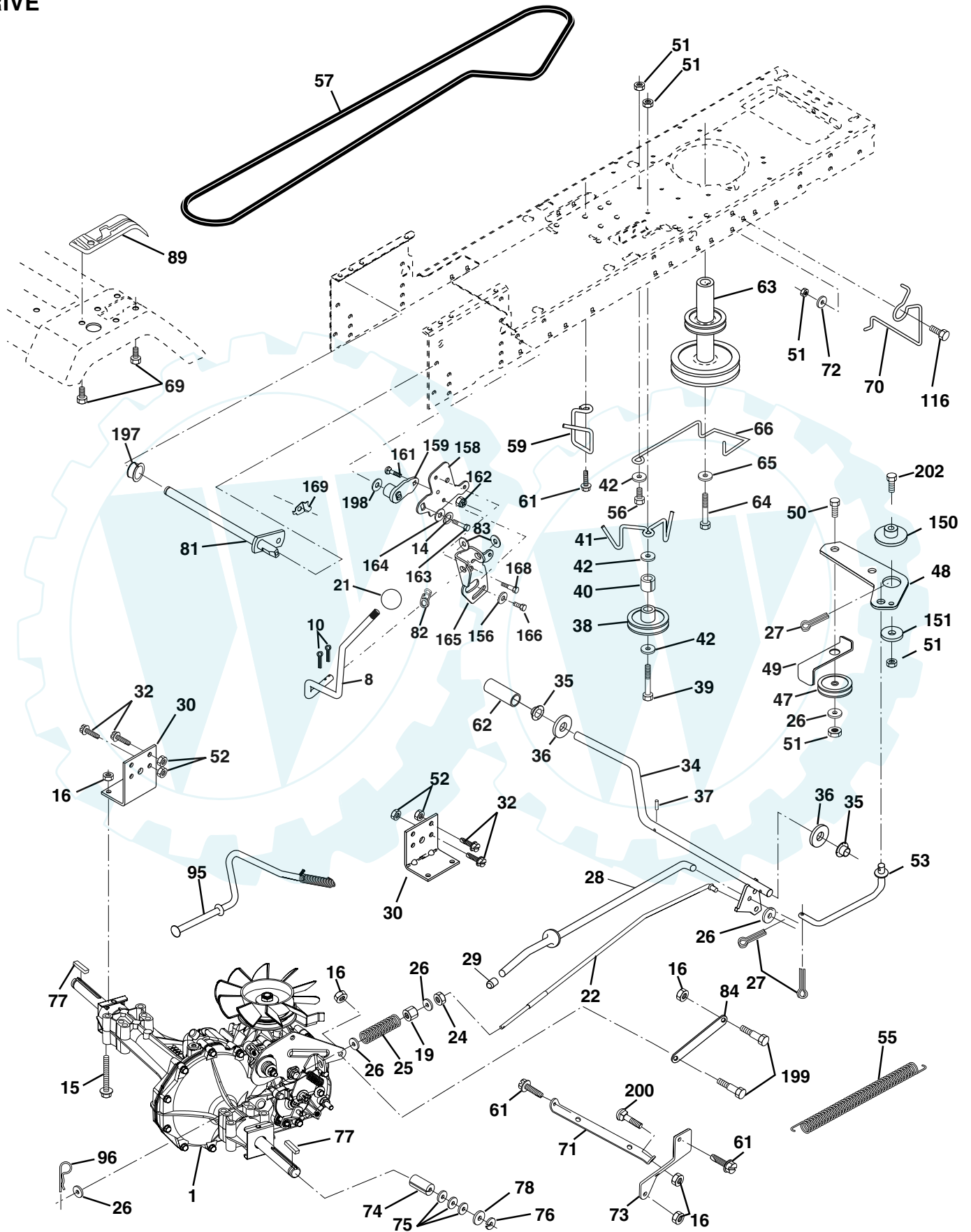
**NOTE:** All component dimensions given in U.S. inches  
1 inch = 25.4 mm

# REPAIR PARTS

[www.ersatzteil-service.de](http://www.ersatzteil-service.de)

## TRACTOR - - MODEL NUMBER PR16H42STB

### DRIVE



# REPAIR PARTS

[www.ersatzteil-service.de](http://www.ersatzteil-service.de)

## TRACTOR - - MODEL NUMBER PR16H42STB

### DRIVE

KEY NO.	PART NO.	DESCRIPTION	KEY NO.	PART NO.	DESCRIPTION
1	-----	Transaxle Hydro Gear 314-0510 (Order Parts From Transaxle Manufacturer)	64	71170764	Bolt, Hex
8	165619	Rod Shift Hydro LT	65	10040700	Washer
10	76020416	Pin Cotter 1/8 x 1 CAD	66	154778	Keeper Belt Engine
14	10040400	Washer Lock Hvy Helical	69	142432	Screw
15	74490544	Bolt, Hex FLGHD 5/16-18 Gr. 5	70	134683	Guide Belt
16	73800500	Nut Lock Hex W/Ins 5/16-18 Unc P	71	169183	Strap Torque Lh Hydro
19	73800600	Nut Lock Hex W/Wsh 3/8-16 Unc	72	19132012	Washer 13/32 x 1-1/4 x 12 Gauge
21	140845	Knob, Round 1/2-13	73	169182	Strap Torque Rh Hydro
22	169498	Rod, Brake Hydro	74	169496	Spacer, Axle
24	73350600	Nut	75	121749X	Washer 25/32 x 1-1/4 x 16 Gauge
25	106888X	Spring, Brake Rod	76	12000001	E-Ring
26	19131316	Washer	77	123583X	Key, Square
27	76020412	Pin Cotter 1/8 x 3/4 CAD.	78	121748X	Washer 25/32 x 1-5/8 x 16 Gauge
28	145204	Rod, Parking Brake	81	165596	Shaft Asm. Cross Hydro
29	71673	Cap, Parking Brake	82	123782X	Spring Torsion T/A
30	169592	Bracket, Transaxle	83	19171216	Washer 17/32 x 3/4 x 16 Ga.
32	74760512	Bolt Hex Hd 5/16-18 Unc x 3/4	84	169594	Link Transaxle
34	155071	Shaft, Foot Pedal	89	169373X428	Console, Hydro
35	120183X	Bearing, Nylon	95	170201	Control Asm Bypass Hydro
36	19211616	Washer	96	4497H	Retainer Spring 1" Zinc/Cad
37	1572H	Pin, Roll	116	72110610	Bolt Rdhd Sq Neck 3/8-16 x 1.25
38	131494	Pulley, Idler, Flat	150	165850	Bushing Bellcrank Grd Drive
39	74760644	Bolt	151	19133210	Washer 13/32 x 2 x 10 Ga.
40	4470J	Spacer, Split	156	166002	Washer Srrted 5/16 ID x 1.125
41	165838	Keeper, Belt Idler	158	165589	Bracket Shift Mount
42	19131312	Washer 13/32 x 13/16 x 12 Gauge	159	165494	Hub Tapered Flange Shift Lt
47	127783	Pulley, Idler, V-Groove	161	72140406	Bolt Rdhd Sqnk 1/4-20 x 3/4 Gr 5
48	154407	Bellcrank Clutch Grnd Drv STL	162	73680400	Nut Crownlock 1/4-20 Unc
49	123205X	Retainer, Belt	163	74780416	Bolt Hex Fin 1/4-20 Unc x 1 Gr 5
50	74760624	Bolt	164	19091010	Washer 5/8 x .281 x 10 Ga
51	73680600	Nut Crownlock 3/8-16 UNC	165	165623	Bracket Pivot Lever
52	73680500	Nut Crownlock 5/16-18 UNC	166	166880	Screw 5/16-18 x 5/8
53	105710X	Link, Clutch	168	165492	Bolt Shoulder 5/16-18 x .561
55	105709X	Spring, Return, Clutch	169	165580	Plate Fastening Lt
56	74760620	Bolt Fin Hex 3/8-16 UNC x 1-1/4	197	169613	Nyliner Snap-In 5/8" ID
57	140294	V-Belt, Ground Drive	198	169593	Washer Nyl 7/8 ID x .105
59	169691	Keeper, Center Span	199	169612	Bolt Shoulder 5/16-18 Unc
61	17060612	Screw Thdrol. 3/8-16 x .75	200	72140508	Bolt Rdhd Sqnk 5/16-18 Unc x 1
62	8883R	Cover, Pedal	202	72110612	Bolt Carr Sh 3/8-16 x 1-1/2 Gr 5
63	140186	Pulley, Engine			

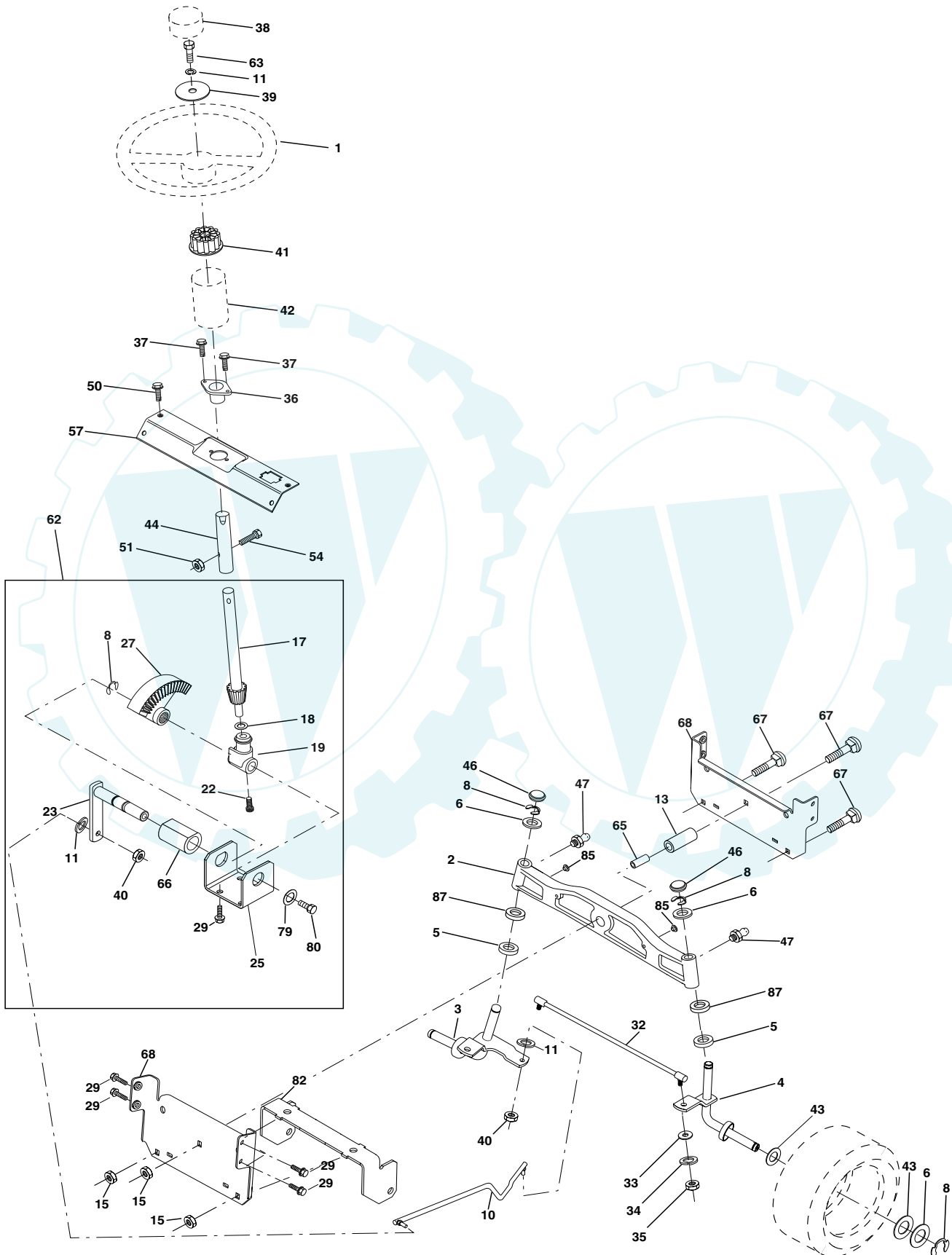
**NOTE:** All component dimensions given in U.S. inches  
1 inch = 25.4 mm

# REPAIR PARTS

[www.ersatzteil-service.de](http://www.ersatzteil-service.de)

## TRACTOR - - MODEL NUMBER PR16H42STB

### STEERING ASSEMBLY





## TRACTOR - - MODEL NUMBER PR16H42STB

### STEERING ASSEMBLY

KEY NO.	PART NO.	DESCRIPTION
1	159944X428	Wheel Steering
2	165854	Axle Asm Cast Iron LT
3	169840	Spindle Asm LH
4	169839	Spindle Asm RH
5	6266H	Bearing Race Thrust Harden
6	121748X	Washer 25/32 X 1-5/8 X 16 Ga
8	1200029	Ring Klip #t5304-75
10	169832	Link Drag
11	10040600	Washer Lock Hvy Hlcl Spr 3/8
13	136518	Spacer Brg Axle Front
15	145212	Nut Hex Flange Lock
17	156546	Shaft Asm Strg
18	57079	Washer Thrust 515x 750x 033
19	160395	Support Shaft
22	165857	Screw Hex Wsh Hd Torx
23	165851	Shaft Asm Pittman
25	154406	Bracket Steering
27	136874	Gear Sector
29	17060612	Screw 3/8-16 x .75
32	171888	Rod Tie
33	19111216	Washer 11/32 x 3/4 x 16 Ga
34	10040500	Washer Lock Hvy Hlcl Spr 5/16
35	73540500	Crownlock Nut 5/16-24 Unf
36	155099	Bushing Strg
37	152927	Screw
38	159946X428	Insert Cap Strg Wh
39	19132411	Washer 13/32 X 1-1/2 X 11 Ga
40	7810H	Lock nut
41	159945	Adaptor Wheel Strg
42	145054X428	Boot Steering Dash
43	121749X	Washer 25/32 X 1 1/4 X 16 Ga
44	153720	Extension Steering Shaft LR/LT
46	121232X	Cap Spindle Fr Top Blk
47	6855M	Fitting Grease
51	73800500	Nut Lock Hex w/Ins 5/16-18
54	74780520	Bolt Fin Hex 5/16-18 Unc x 1-1/4
62	167902	Kit, Steering Assembly Svc
63	74780616	Bolt Fin Hex 3/8-16unc x 1 Gr. 5
65	160367	Spacer Brace Axle
66	154404	Bearing Arm Pittman
67	72140618	Bolt Rdhd Sq 3/8-16 Unc x 2-3/4
68	169827	Axle, Brace
79	19132012	Washer 13/32 x 1-1/4 x 12 Ga.
80	74950612	Bolt Hex Nylon 3/8-16 x 3/4
82	169835	Bracket Susp Chassis Front
85	133835	Fastner Christmas Tree
87	173966	Washer Flat .781 x 1-1/2 x .14

**NOTE:** All component dimensions given in U.S. inches

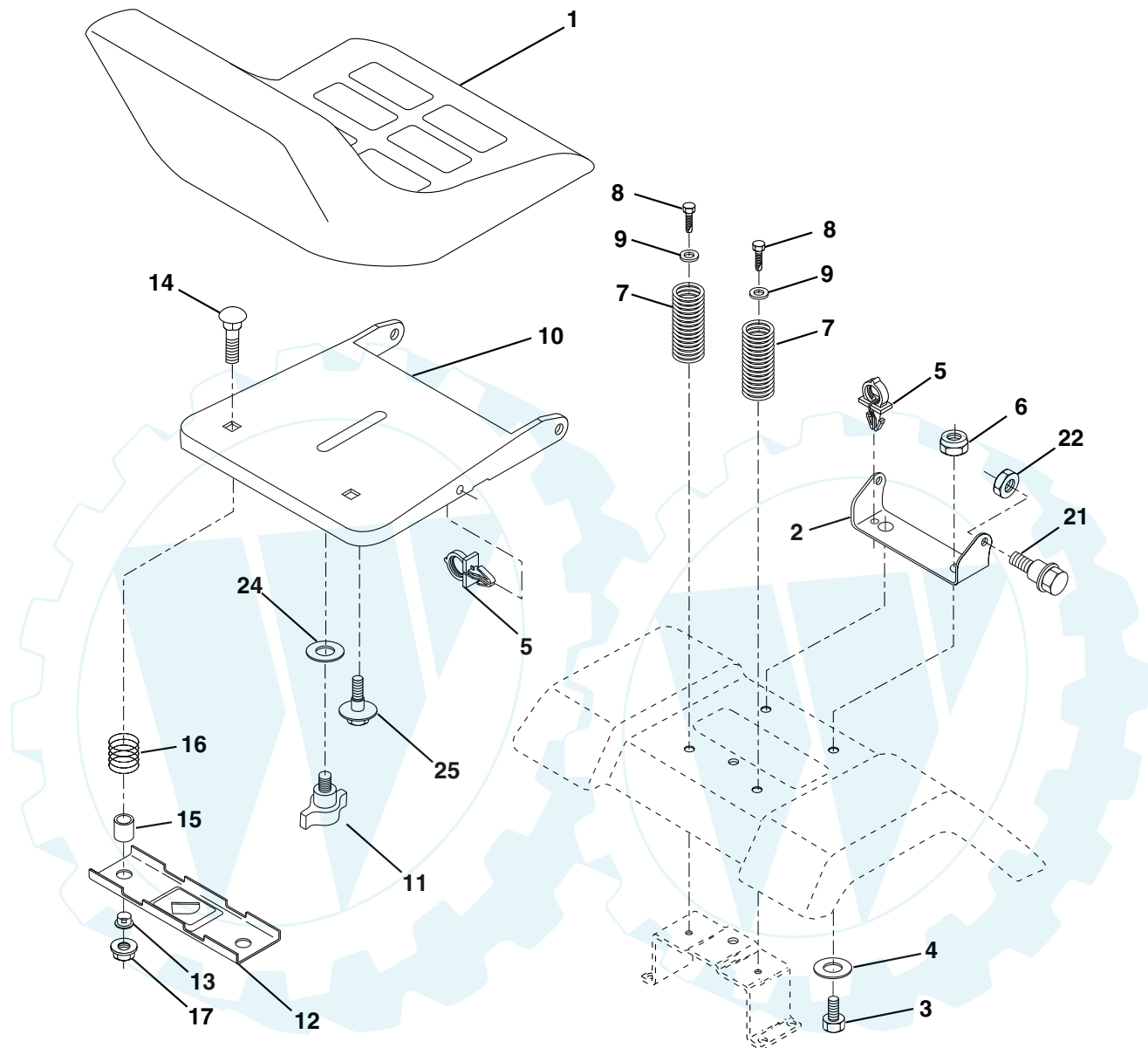
1 inch = 25.4 mm

# REPAIR PARTS

[www.ersatzteil-service.de](http://www.ersatzteil-service.de)

## TRACTOR - - MODEL NUMBER PR16H42STB

### SEAT ASSEMBLY



KEY NO.	PART NO.	DESCRIPTION
1	171683	Seat
2	140551	Bracket Pivot Seat 8 720
3	71110616	Bolt Fin Hex 3/8-16unc X 1
4	19131610	Washer 13/32 X 1 X 10 Ga
5	145006	Clip Push-In
6	73800600	Nut Hex w/Ins. 3/8-16 Unc
7	124181X	Spring Seat Cprsn 2 250 Blk Zi
8	17000616	Screw 3/8-16 x 1.5 Smgml
9	19131614	Washer 13/32 X 1 X 14 Ga.
10	155925	Pan Seat
11	166369	Knob Seat
12	121246X	Bracket Mounting Switch

KEY NO.	PART NO.	DESCRIPTION
13	121248X	Bushing Snap Blk Nyl 50 Id
14	72050412	Bolt Rdhd Sqnk 1/4-20x1-1/2
15	134300	Spacer Split 28x 88
16	121250X	Spring Cprsn
17	123976X	Nut Lock 1/4 Lge Flg Gr 5 Zinc
21	171852	Bolt Shoulder 5/16-18 Unc
22	73800500	Nut Hex Lock W/Ins 5/16-18
24	19171912	Washer 17/32 X 1-3/16 X 12 Ga.
25	127018X	Bolt Shoulder 5/16-18 X 62

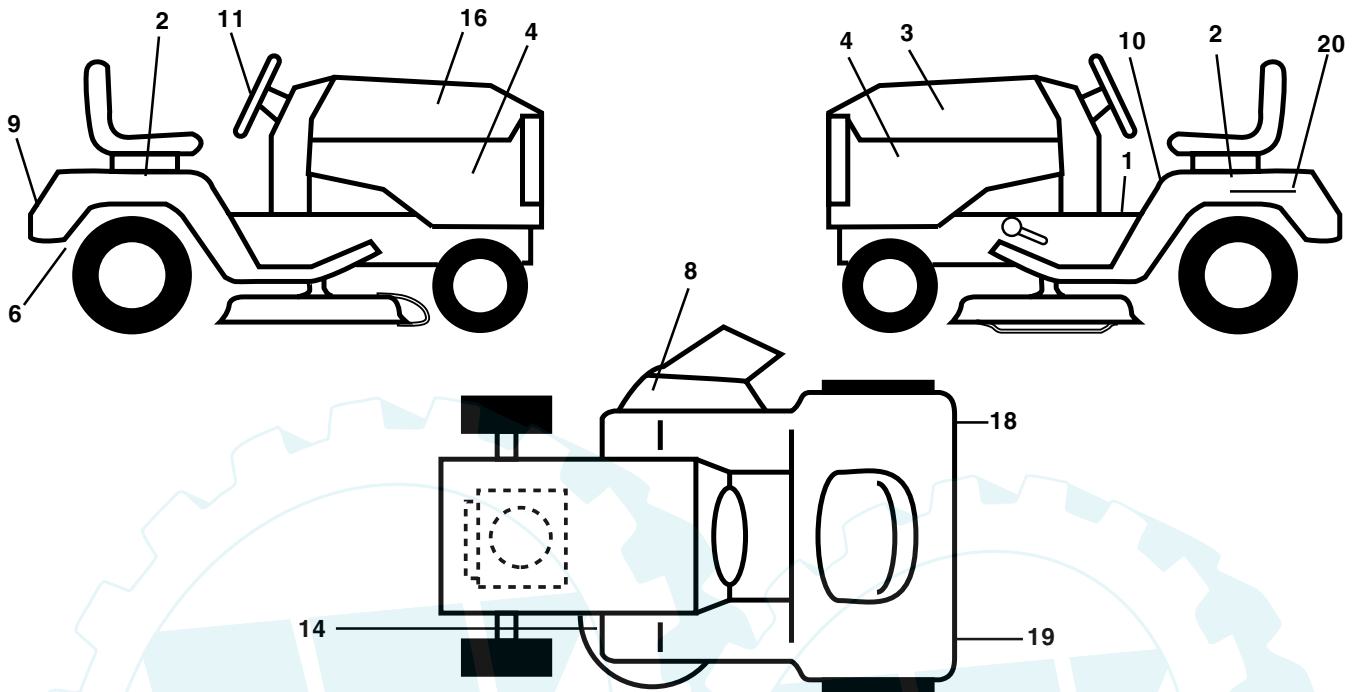
**NOTE:** All component dimensions given in U.S. inches  
1 inch = 25.4 mm

# REPAIR PARTS

[www.ersatzteil-service.de](http://www.ersatzteil-service.de)

## TRACTOR - - MODEL NUMBER PR16H42STB

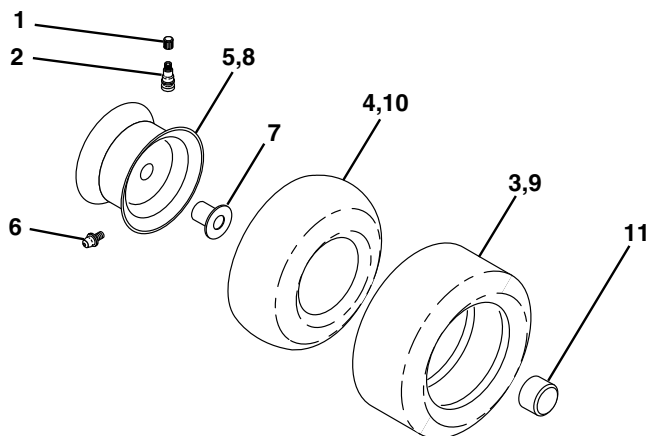
### DECALS



KEY NO.	PART NO.	DESCRIPTION
1	157032	Decal Oper
2	172741	Decal Fender Auto
3	172738	Decal Hood LH
4	172756	Decal Side Panel Logo
6	169210	Decal By Pass Lt Hydro
8	170563	Decal Mower Warn Keep Hand Away
9	172740	Decal Fender Logo
10	157140	Decal Fender Danger E/F
11	172743	Decal Ins Strg Whl

KEY NO.	PART NO.	DESCRIPTION
14	160396	Decal V-Belt Schematic
16	172737	Decal Hood Rh
18	173587	Decal Fend Reflector RH PPRO
19	173589	Decal Fend Reflector LH PPRO
20	145005	Decal Bat Dan/Psn
--	133671	Pad Footrest
--	138311	Decal Handle Lft Height Adjust
--	174754	Manual Owner's (English)
--	174755	Manual Owner's (French)

### WHEELS AND TIRES



KEY NO.	PART NO.	DESCRIPTION
1	59192	Cap Valve Tire
2	65139	Stem Valve
3	170455	Tire F Tm 15 X 6 0 - 6 Service
4	59904	Tube Front (Service Item Only)
5	106732X421	Rim Asm 6"front Service
6	278H	Fitting Grease (Front Wheel Only)
7	9040H	Bearing Flange (Front Wheel nly)
8	106108X421	Rim Asm 8"rear Service
9	170456	Tire R Tm 20x10-8 C Service
10	7152J	Tube Rear (Service Item Only)
11	104757X	Cap Axle Blk 1 50 X 1 00
--	144334	Sealant, Tire ( 10 oz. Tube)

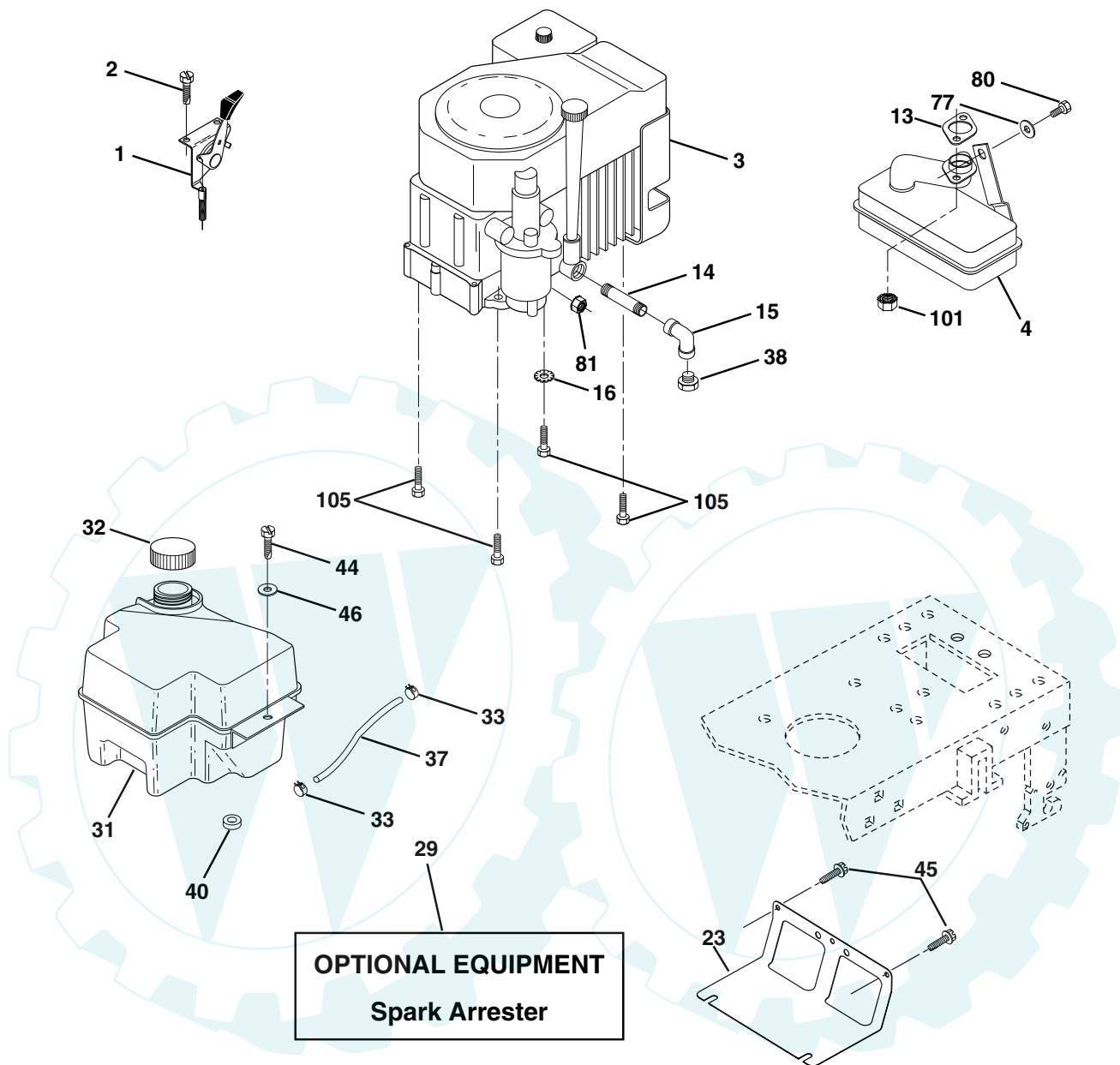
**NOTE:** All component dimensions given in U.S. inches  
1 inch = 25.4 mm

# REPAIR PARTS

www.ersatzteil-service.de

## TRACTOR - - MODEL NUMBER PR16H42STB

### ENGINE



KEY NO.	PART NO.	DESCRIPTION
1	141296	Control Th/ch 27 LH Flag
2	17720410	Screw Hex Thd Cut 1/4-20x5/8 T
3	-----	Engine, Kohler Model CV16.5 (Order Parts From Engine Manufacturer)
4	159420	Muffler
13	12-041-03	Gasket Eng
14	13280328	Nipple Pipe
15	13200300	Elbow Std 90 Degree 3/8-18 Npt
16	11050600	Washer Lock Ext Tooth 3/8
23	169837	Shield Brn/Dbr Guard
29	137180	Kit Spark Arrestor (Flat Scrn)
31	161911	Tank Fuel Front 2 00
32	140527	Cap Asm Fuel W/sym Vented
33	123487X	Clamp Hose Black

KEY NO.	PART NO.	DESCRIPTION
37	137040	Line Fuel 20"
38	-----	Plug Oil Drain (Order From Engine Manufacturer)
40	124028X	Bushing Snap Nyl Blk Fuel Line
44	17670412	Screw Hexwsh Thdrol 1/4-20x3/4
45	17000612	Screw
46	19091416	Washer 9/32 X 7/8 X 16 Ga
77	19101216	Washer 5/16 x 3/4 x 16 Ga.
80	74760508	Bolt Hex Hd 5/16-18 x 1/2
81	73510400	Nut Flange 1/4-20 Starter Nut
101	M73030800	Nut Flange M8-1.25
105	17120616	Screw 3/8-16 x 1

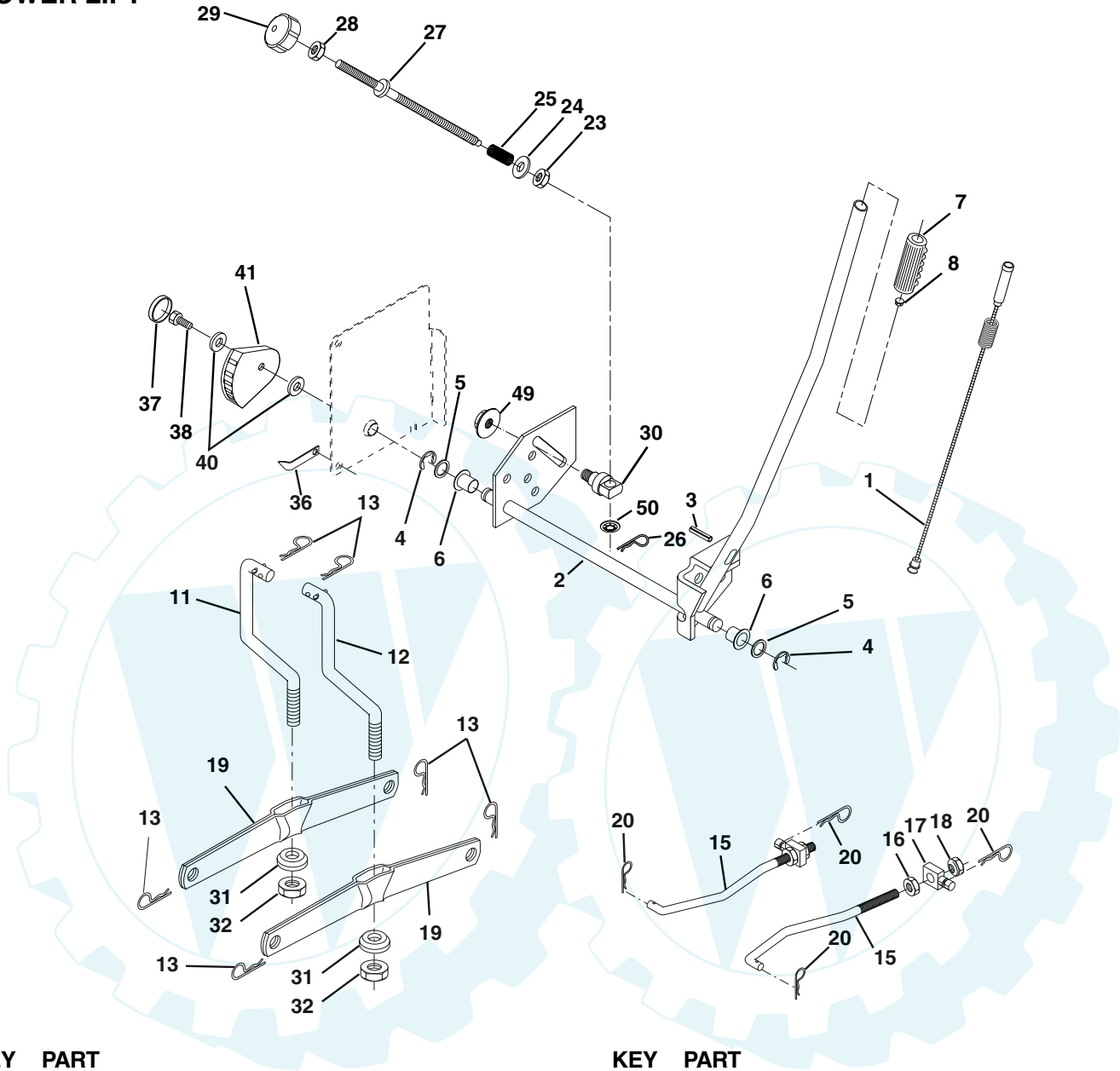
**NOTE:** All component dimensions given in U. S. inches 1 inch = 25.4 mm

# REPAIR PARTS

www.ersatzteil-service.de

## TRACTOR - - MODEL NUMBER PR16H42STB

### MOWER LIFT



KEY NO.	PART NO.	DESCRIPTION
1	159460	Wire Asm Inner/Sprg W/plunger LT
2	159471	Shaft Asm Lift RH w/Inf
3	105767X	Pin Groove 1 500 Zinc
4	12000002	E Ring #5133-62
5	19211621	Washer 21/32 X 1 X 21 Ga
6	120183X	Bearing Nylon Blk 629 Id
7	125631X	Grip Handle
8	170770	Button Plunger Yellow
11	139865	Link Lift LH Fixed Length
12	139866	Link Lift RH Fixed Length
13	4939M	Retainer Spring
15	173288	Link Front
16	73350800	Nut Jam Hex 1/2-13 Unc
17	130171	Trunnion Blk Zinc
18	73800800	Nut Lock W/Wsh 1/2-13 Unc
19	139868	Arm Suspension Rear
20	163552	Retainer Spring
23	110807X	Nut Special

KEY NO.	PART NO.	DESCRIPTION
24	19131016	Washer 13/32 X 5/8 X 16 Ga
25	2876H	Spring 2-1/8"
26	169484	Retainer Clip
27	126971X	Rod Adj Lift Zinc 7.49 Wrk Lg
28	73350600	Nut Hex Jam 3/8-16 Unc
29	138057	Knob Inf 3/8-16 Unc Blk W/sym
30	150233	Trunnion Infin Height
31	169865	Bearing Pvt Lift
32	73540600	Nut Crownlock 3/8 - 24
36	155097	Pointer Height Indicator
37	123935X	Plug Hole Blk 1.485/1.515 Dia.
38	17060516	Screw 5/16-18 x 1
40	19112410	Washer 11/32 x 1-1/2 10 Ga.
41	155098	Indicator Height STLT
49	145212	Nut Hex Flange Lock
50	110452X	Nut PUSh Phos & Oi

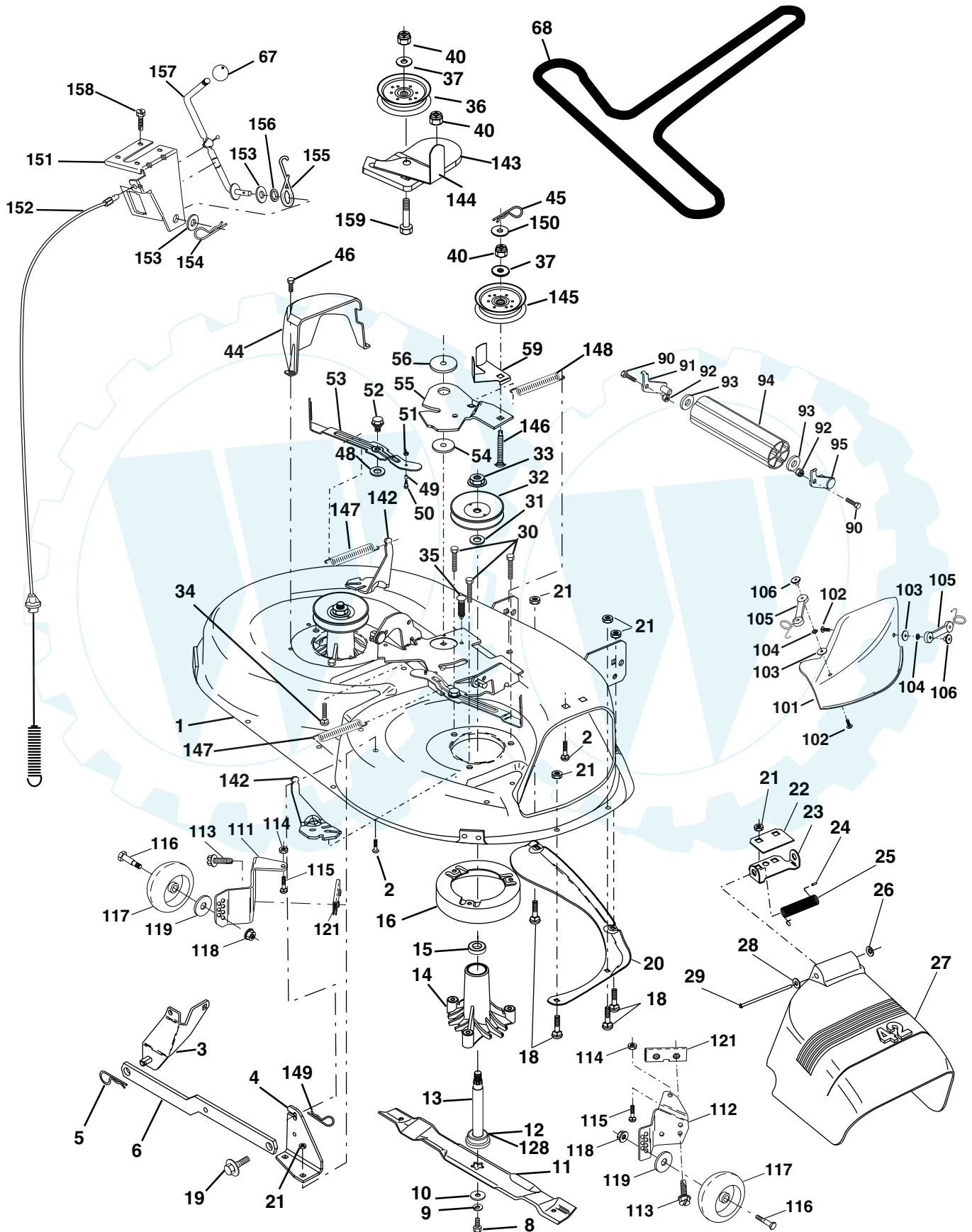
**NOTE:** All component dimensions given in U.S. inches  
1 inch = 25.4 mm

# REPAIR PARTS

[www.ersatzteil-service.de](http://www.ersatzteil-service.de)

## TRACTOR - - MODEL NUMBER PR16H42STB

### MOWER DECK



## TRACTOR - - MODEL NUMBER PR16H42STB

### MOWER DECK

KEY NO.	PART NO.	DESCRIPTION	KEY NO.	PART NO.	DESCRIPTION
1	165892X421	Mower Deck Assembly, 42"	59	173442	Guard TUV Idler
2	72140506	Bolt	67	171598	Knob Round
3	138017	Bracket Asm Fr. Sway Bar 3/42	68	144959	V-Belt, 42" Mower
4	165460X421	Bracket Asm Deck 42" Sway Bar	90	74760616	Bolt Fin Hex 3/8-16 Unc x 1
5	4939M	Retainer Spring	91	132274	Bracket Asm Noseroller LH
6	130832	Arm, Suspension, Rear	92	73800600	Nut, Lock, Hex W/Ins 3/8-16 UNC
8	850857	Bolt 3/8-24 x 25 Grade 8 patched	93	19171416	Washer 17/3 x 7/8 x 6 Ga.
9	10030600	Washer, Lock	94	132264	Roller Nose 38 & 42
10	140296	Washer, Hardened	95	132273	Bracket Asm Noseroller RH
11	134149	Blade, Mulching 42" Std	101	136420	Mulcher Cover
	138498	Blade Mower 42" Hi-Lift Std	102	71161010	Screw
12	129895	Bearing, Ball #6204	103	19061216	Washer, Flat
13	137645	Shaft Assembly, Mandrel, Vented	104	10071000	Washer, Lock
14	128774	Housing, Mandrel, Vented	105	160793	Latch Assembly
15	110485X	Bearing, Ball, Mandrel	106	2029J	Nut, Weld
16	140329	Stripper, Vented Mower Deck	111	155197X421	Bracket, Gauge, Wheel LH
18	72140505	Bolt, Carriage 5/16-18 x 5/8	112	155198X421	Bracket, Gauge, Wheel RH
19	132827	Bolt, Shoulder	113	17060512	Screw 5/16 - 18 x 3/4
20	159770	Baffle, Vortex	114	73510500	Nut, Keps 5/16 - 18 UNC
21	73680500	Nut	115	72110504	Bolt, Carriage 5/16-18 x 1/2
22	134753X421	Stiffener Bracket	116	4898H	Bolt, Shoulder
23	131267X421	Bracket, Deflector Mower 42"	117	165746	Wheel, Gauge
24	105304X	Cap, Sleeve 80 x 112 Blk Mower	118	73930600	Nut Centerlock 3/8-16
25	123713X	Spring, Torsion, Deflector 2 52	119	19121414	Washer 3/8 x 7/8 x 14 Ga.
26	110452X	Nut, Push Phos & Oil	121	173986	Bracket, Extruded
27	130968X428	Shield, Deflector 42" Blk	128	153390	Washer, Felt
28	19111016	Washer 11/32 x 5/8 x 16 Gauge	142	165890	Arm Spring Brake Mower
29	131491	Rod, Hinge 42" 6 75 W/G	143	157109	Bracket Arm Idler 42"
30	157722	Screw Thdrol Washer Head	144	173441	Keeper Belt 42" Clutch Cable
31	129963	Washer, Spacer Mower Vented	145	173437	Pulley Idler Flat
32	173436	Pulley, Mandrel	146	173439	Bolt Carriage Idler
33	137266	Nut, Toplock 9/16	147	131335	Spring Extension
34	72110614	Bolt	148	169022	Spring Return Idler
35	133835	Fastener, Christmas Tree	149	165898	Retainer Spring Yellow
36	173438	Pulley, Idler, Flat	150	19091216	Washer 9/32 x 3/4 x 16 Ga.
37	19131316	Washer 13/32 x 13/16 x 16 Gauge	151	169670	Bracket Clutch Cable
40	73680600	Nut	152	169676	Clutch Cable 42"
44	140088	Guard, Mandrel, LH	153	169674	Washer Flat 3/8" Type B
45	4497H	Retainer	154	169675	Spring Retainer
46	137729	Screw, Thdrol 1/4-20 x 5/8 T	155	169671	Spring Retention LVR CLTCH CAB
48	133944	Washer, Hardened	156	169672	Spacer Clutch Cable
49	155066	Roller Assembly, Cam Follower	157	169669	Rod Clutch Cable 3/8"
50	131340	Bolt, Shoulder #10-24 Grade 5	158	17720410	Screw Hex Thd Cut 1/4-20 x 5/8
51	69180	Locknut	159	72140614	Bolt Rdhd Sqn 3/8-16 UNC x 1-3/4
52	139888	Bolt, Shoulder 5/16-18 UNC	--	130794	Mandrel Assembly (Includes Key Numbers 8-10, 12-15, 31 and 33)
53	131845	Arm Assembly, Pad, Brake	--	172559	Mower Deck, Complete
54	133943	Washer, Hardened			
55	155046X421	Arm, Idler			
56	122052X	Spacer, Retainer			

**NOTE:** All component dimensions given in U.S. inches  
1 inch = 25.4 mm