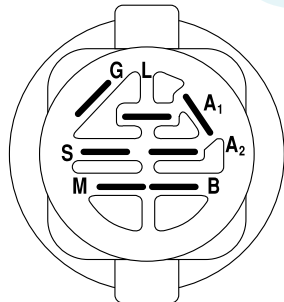
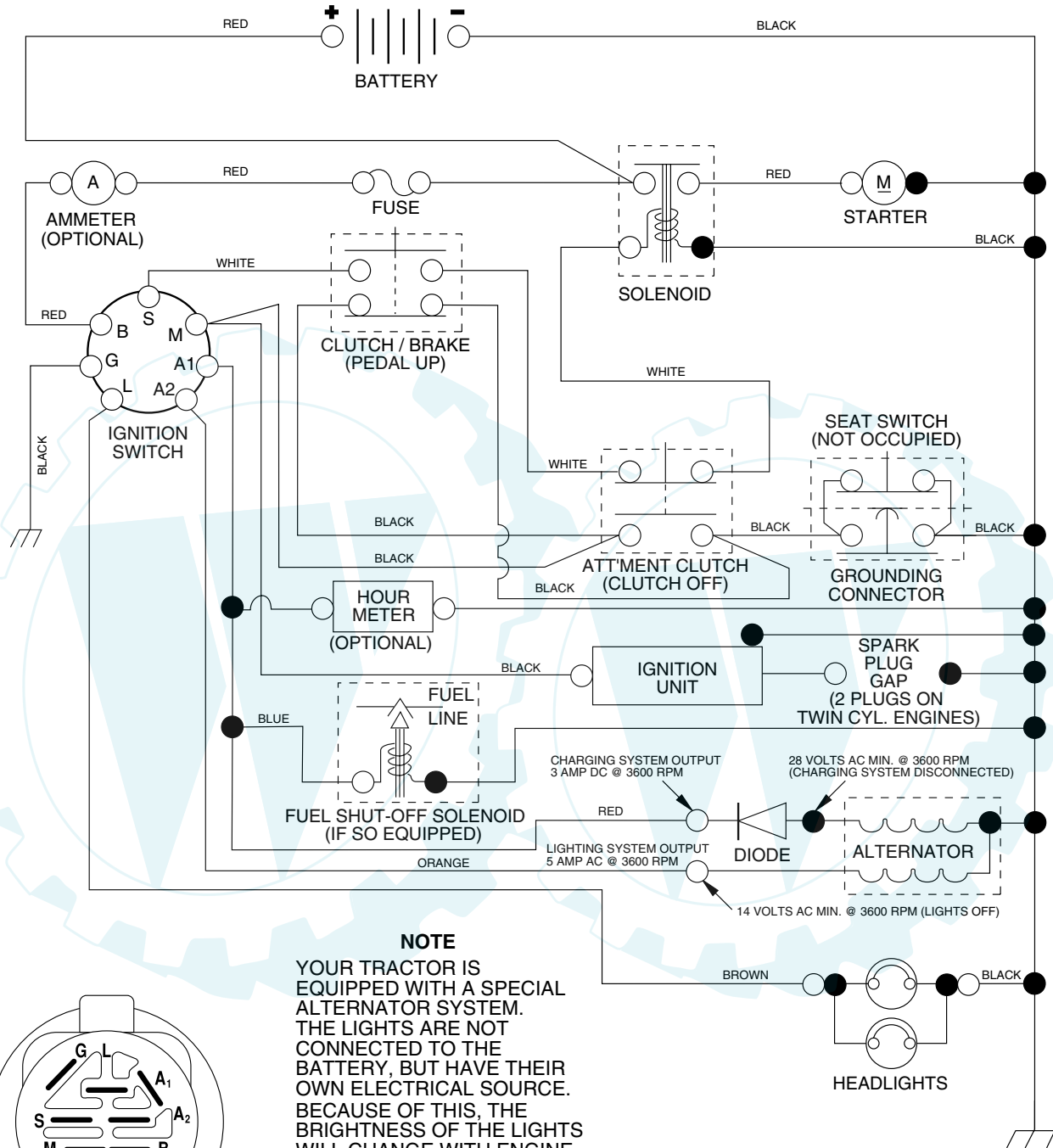


# TRACTOR - - MODEL NUMBER FO1538C, PRODUCT NUMBER 954 56 82-74 SCHEMATIC



**IGNITION SWITCH**

POSITION	CIRCUIT	"MAKE"
OFF	M+G+A1	NONE
RUN/LIGHT	B+A1	A2+L
RUN	B+A1	NONE
START	B + S + A1	NONE

**NOTE**

YOUR TRACTOR IS EQUIPPED WITH A SPECIAL ALTERNATOR SYSTEM. THE LIGHTS ARE NOT CONNECTED TO THE BATTERY, BUT HAVE THEIR OWN ELECTRICAL SOURCE. BECAUSE OF THIS, THE BRIGHTNESS OF THE LIGHTS WILL CHANGE WITH ENGINE SPEED. AT IDLE THE LIGHTS WILL DIM. AS THE ENGINE IS SPEEDED UP, THE LIGHTS WILL BECOME THEIR BRIGHTEST.

**WIRING INSULATED CLIPS**

**NOTE:** IF WIRING INSULATED CLIPS WERE REMOVED FOR SERVICING OF UNIT, THEY SHOULD BE REPLACED TO PROPERLY SECURE YOUR WIRING.

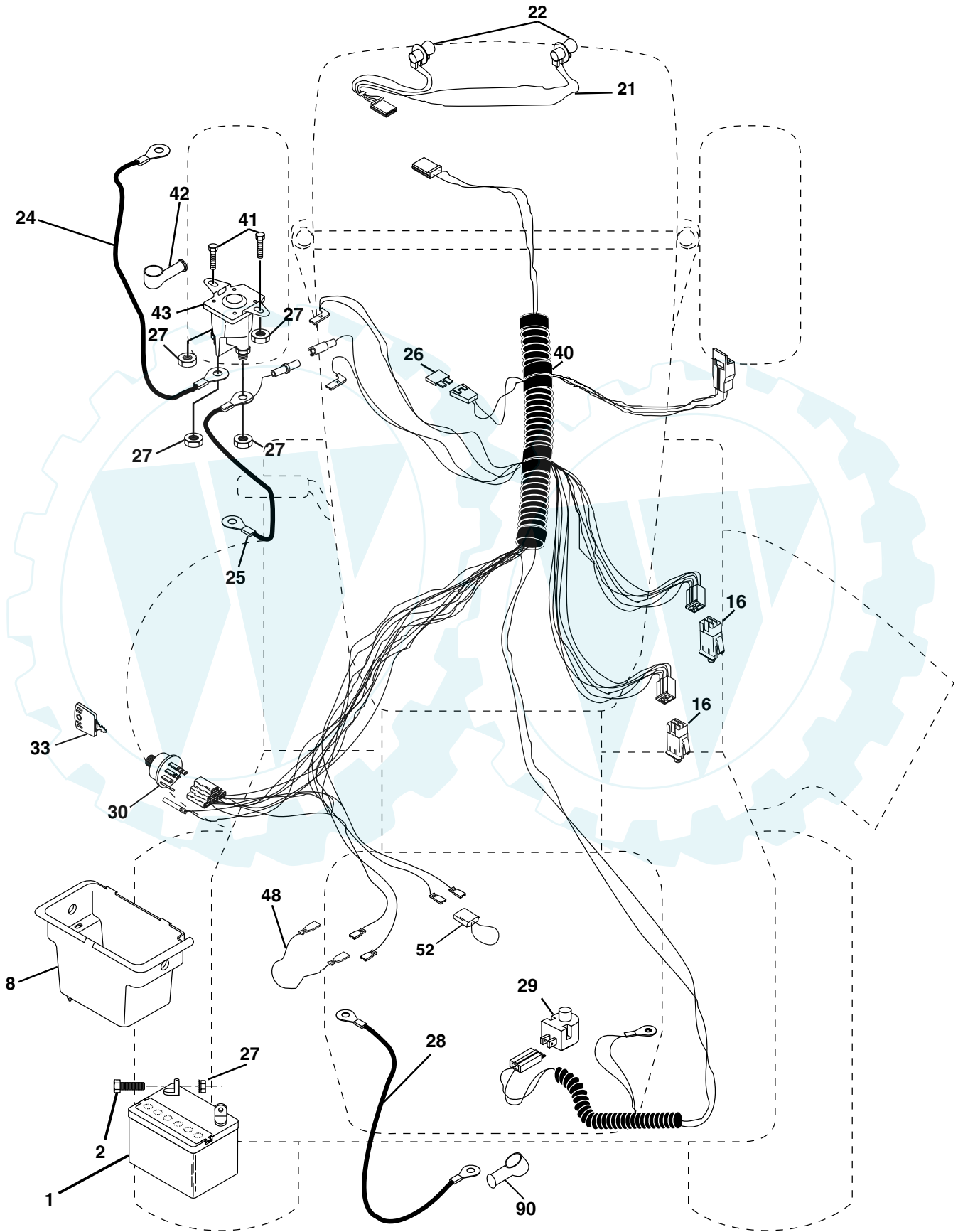
NON-REMOVABLE CONNECTIONS

REMOVABLE CONNECTIONS

# REPAIR PARTS

[www.ersatzteil-service.de](http://www.ersatzteil-service.de)

TRACTOR - - MODEL NUMBER PO1538C, PRODUCT NUMBER 954 56 82-74  
ELECTRICAL



# REPAIR PARTS

[www.ersatzteil-service.de](http://www.ersatzteil-service.de)

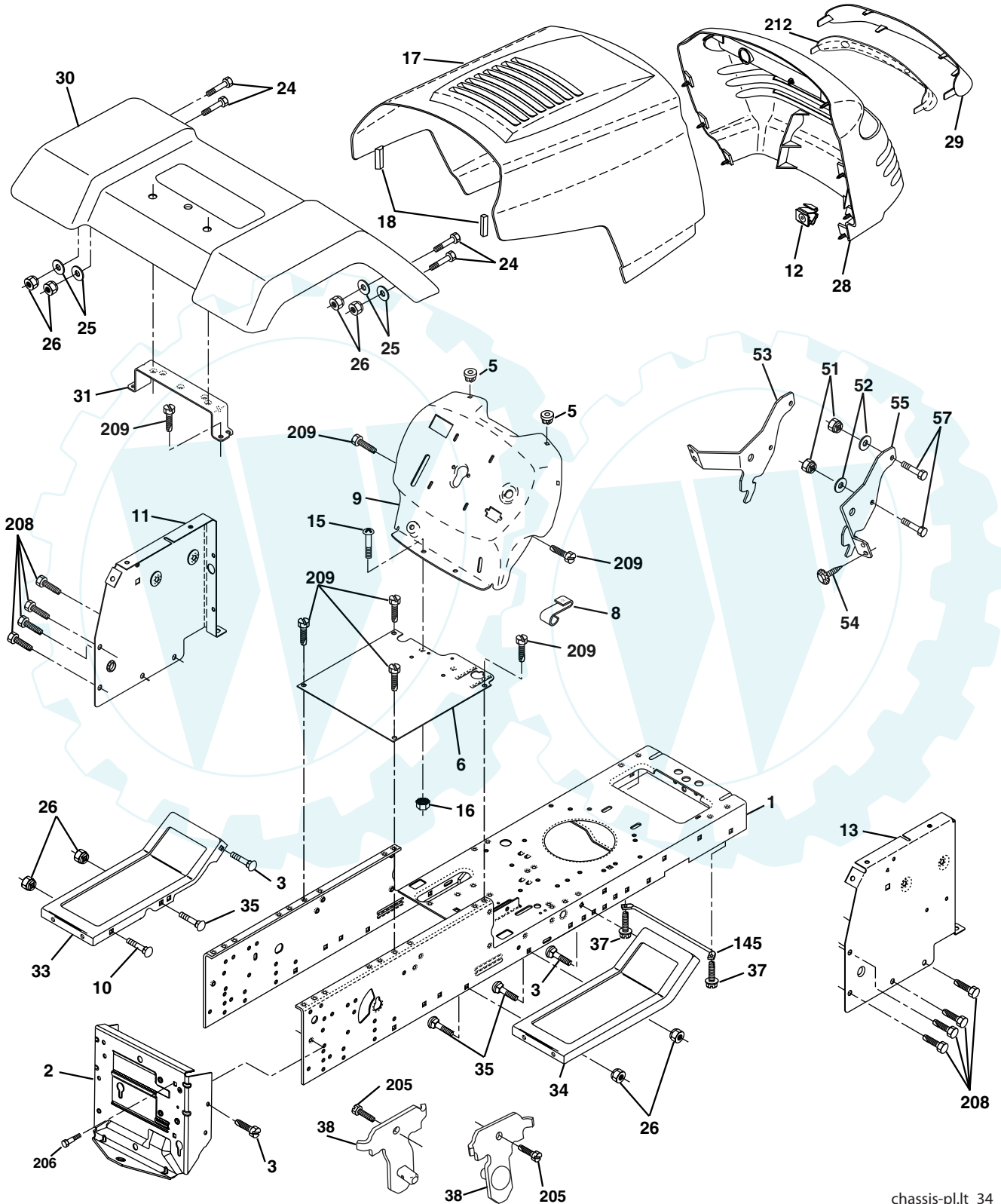
TRACTOR - - MODEL NUMBER PO1538C, PRODUCT NUMBER 954 56 82-74  
ELECTRICAL

KEY NO.	PART NO.	DESCRIPTION
1	163465	Battery
2	74760412	Bolt Hex Hd 1/4-20unc X 3/4
8	176689	Box Battery
16	176138	Switch Interlock
21	175685	Harness Asm Light W/4152j
22	4152J	Bulb Light #1156
24	4799J	Cable Battery 6 Ga 11"red
25	146147	Cable Battery
26	175158	Fuse 20 AMP
27	73510400	Nut Keps Hex 1/4-20 Unc
28	4207J	Cable Ground 6 Ga 12"black
29	121305X	Switch Plunger Nc Gray
30	175566	Switch Ign
33	140401	Key Ign
40	179720	Harness Ign
41	71110408	Bolt Blk Fin Hex 1/4-20
42	131563	Cover Terminal Red
43	178861	Solenoid
48	140844	Adapter Ammeter
52	141940	Protection Wire Loop
90	180449	Cover Terminal Battery

**NOTE:** All component dimensions given in U. S. inches 1 inch = 25.4 mm.

# REPAIR PARTS

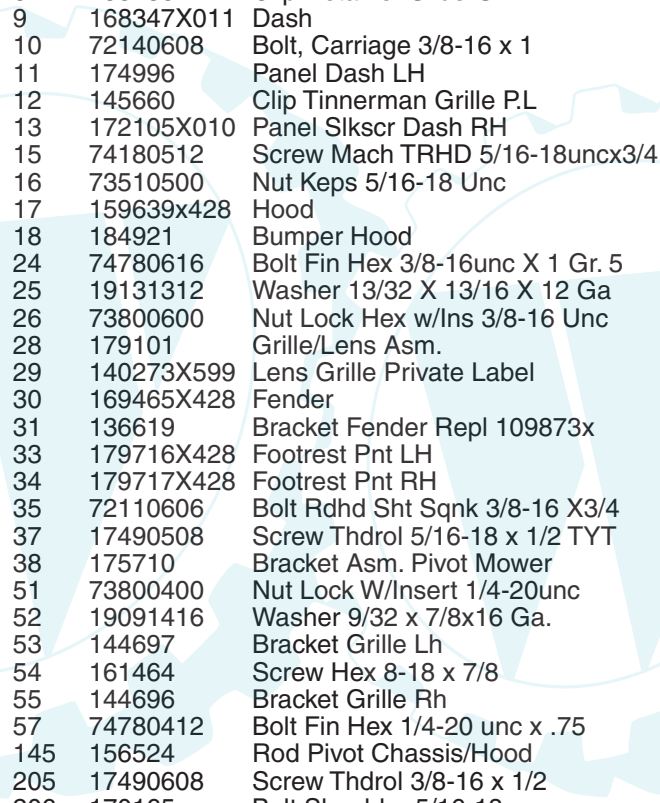
TRACTOR - - MODEL NUMBER PO1538C, PRODUCT NUMBER 954 56 82-74  
CHASSIS



chassis-pl.lt\_34

# REPAIR PARTS

## TRACTOR - - MODEL NUMBER PO1538C, PRODUCT NUMBER 954 56 82-74 CHASSIS



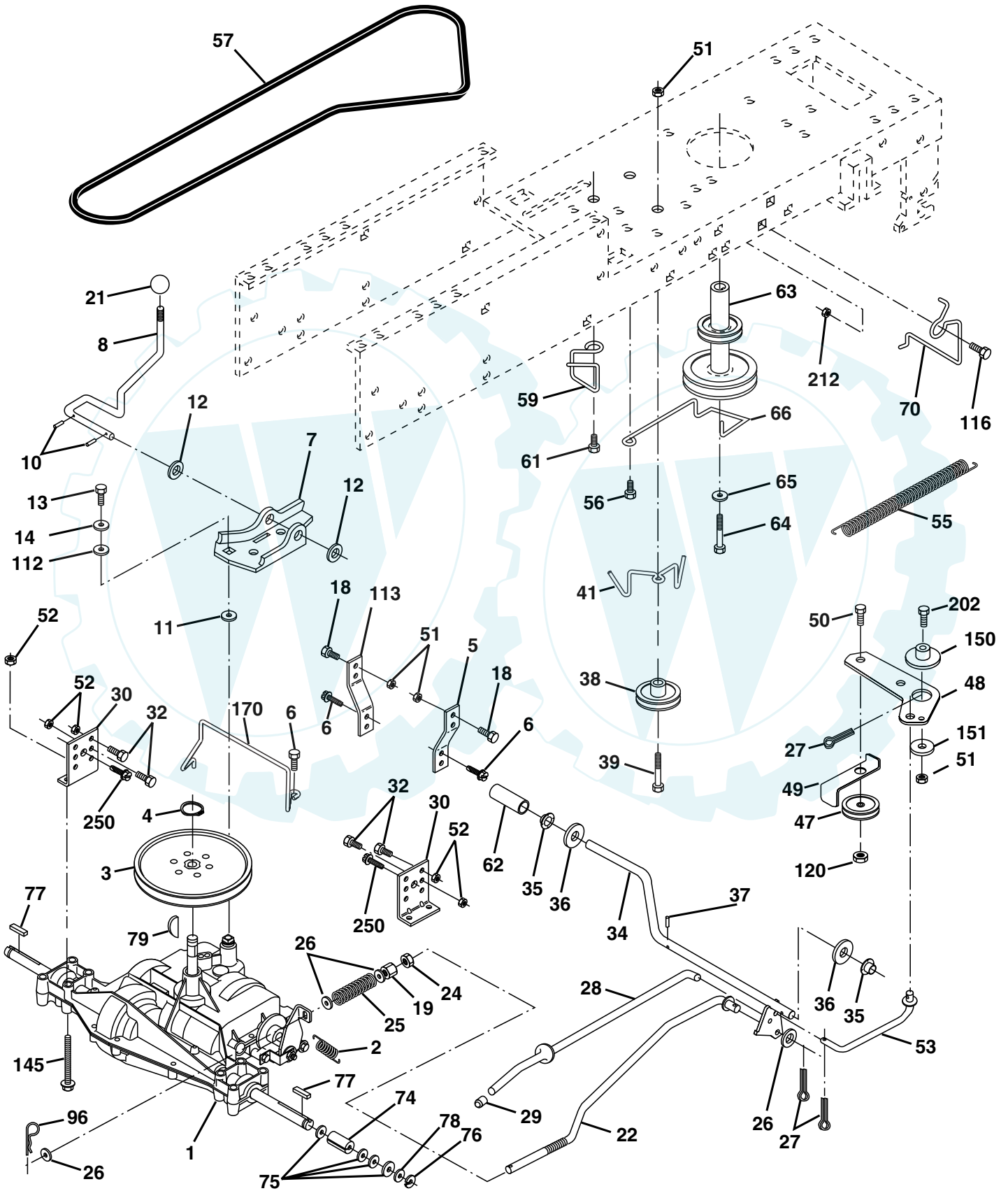
KEY NO.	PART NO.	DESCRIPTION
1	174620	Chassis
2	176554	Drawbar, Stretch
3	17060612	Screw 3/8-16 x 3/4
5	155272	Bumper, Hood/Dash
6	174643X013	Saddle Silkscreen
8	155138	Clip Retainer Slide-On
9	168347X011	Dash
10	72140608	Bolt, Carriage 3/8-16 x 1
11	174996	Panel Dash LH
12	145660	Clip Tinnerman Grille P.L
13	172105X010	Panel Silkscr Dash RH
15	74180512	Screw Mach TRHD 5/16-18uncx3/4
16	73510500	Nut Keps 5/16-18 Unc
17	159639x428	Hood
18	184921	Bumper Hood
24	74780616	Bolt Fin Hex 3/8-16unc X 1 Gr. 5
25	19131312	Washer 13/32 X 13/16 X 12 Ga
26	73800600	Nut Lock Hex w/Ins 3/8-16 Unc
28	179101	Grille/Lens Asm.
29	140273X599	Lens Grille Private Label
30	169465X428	Fender
31	136619	Bracket Fender Repl 109873x
33	179716X428	Footrest Pnt LH
34	179717X428	Footrest Pnt RH
35	72110606	Bolt Rdhd Sht Sqnk 3/8-16 X3/4
37	17490508	Screw Thdrol 5/16-18 x 1/2 TYT
38	175710	Bracket Asm. Pivot Mower
51	73800400	Nut Lock W/Insert 1/4-20unc
52	19091416	Washer 9/32 x 7/8x16 Ga.
53	144697	Bracket Grille Lh
54	161464	Screw Hex 8-18 x 7/8
55	144696	Bracket Grille Rh
57	74780412	Bolt Fin Hex 1/4-20 unc x .75
145	156524	Rod Pivot Chassis/Hood
205	17490608	Screw Thdrol 3/8-16 x 1/2
206	170165	Bolt Shoulder 5/16-18
208	17670608	Screw Thdrol 3/8-16 x 1/2
209	17000612	Screw Hex Wsh Thdrol 3/8-16
212	156229	Insert Lens Reflect
---	5479J	Plug Button Blk 359 Dia Choke

**NOTE:** All component dimensions given in U.S. inches  
1 inch = 25.4 mm.

# REPAIR PARTS

[www.ersatzteil-service.de](http://www.ersatzteil-service.de)

TRACTOR - - MODEL NUMBER PO1538C, PRODUCT NUMBER 954 56 82-74  
DRIVE



Der Ersatzteil spezialist im Internet.

# REPAIR PARTS

## TRACTOR - - MODEL NUMBER PO1538C, PRODUCT NUMBER 954 56 82-74 DRIVE

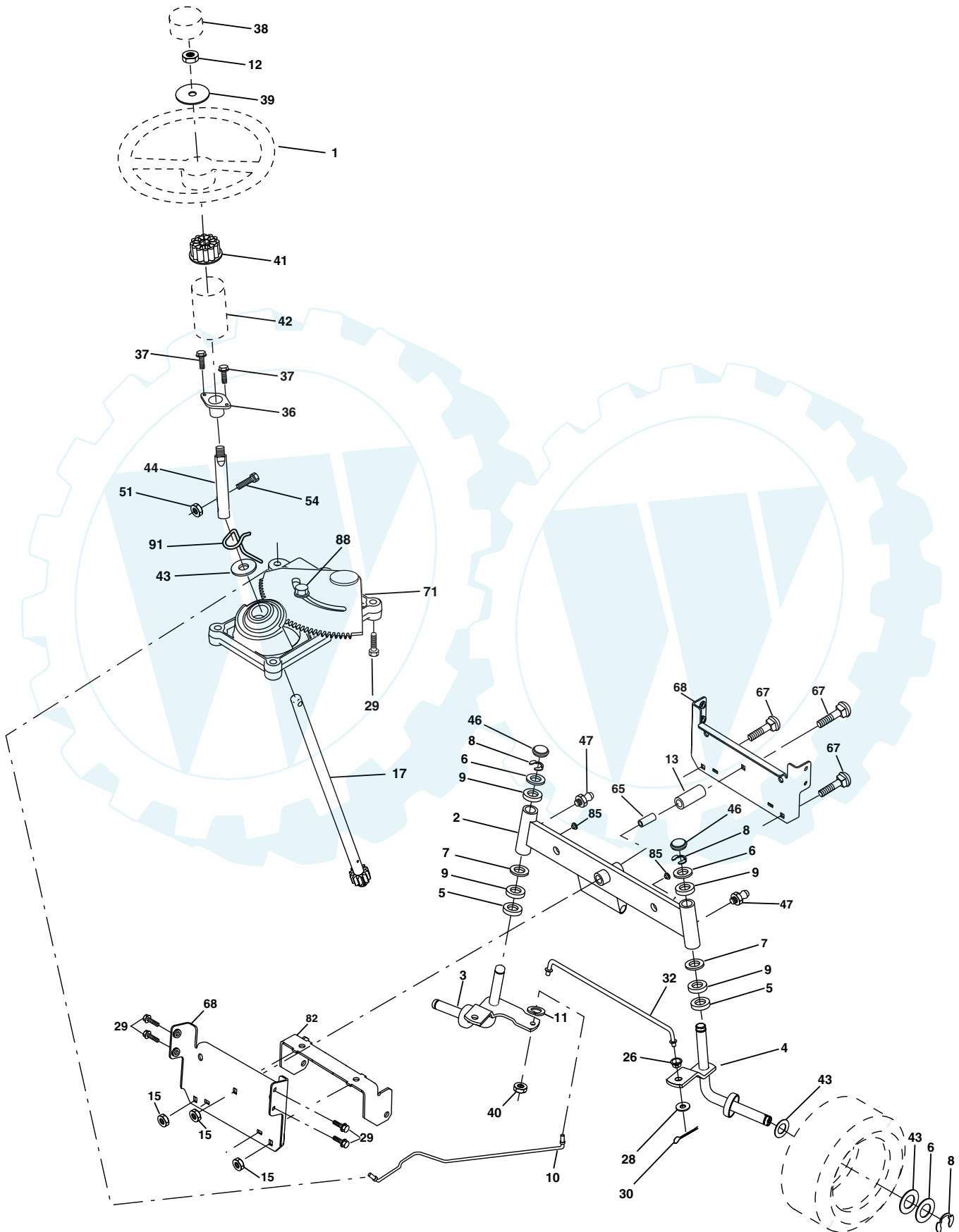
KEY NO.	PART NO.	DESCRIPTION	KEY NO.	PART NO.	DESCRIPTION
1	-----	Transaxle Peerless Model 205-544C (Order parts from transaxle manufacturer)	49	123205X	Retainer Belt Style Spring
2	146682	Spring Return Brake	50	<b>72110612</b>	Bolt Carr Sh 3/8-16 x 1-1/2 Gr. 5
3	123666X	Pulley Transaxle 18"tires	51	73680600	Nut Crownlock 3/8-16 Unc
4	12000028	Ring Retainer # 5100-62	52	73680500	Nut Crownlock 5/16-18 unc
5	121520X	Strap Torque 30 Degrees RH	53	105710X	Link Clutch 7 66
6	17060512	Screw 5/16-18 x 3/4	55	105709X	Spring Return Clutch 6 75
7	162240	Plate Rod Shift T/a	56	17060620	Screw 3/8-16 x 1-1/4
8	131679	Rod Shifter Blk	57	130801	V-Belt Ground Drive 95
10	76020416	Pin Cotter 1/8 X 1 Cad	59	169691	Keeper Belt Chassis Span Ctr
11	105701X	Washer Plate Shf 388 Sq Hole	61	17120614	Screw 3/8-16 x .875
12	19151216	Washer 15/32 X 3/4 X 16 Ga	62	8883R	Cover Pedal Blk Round
13	74550412	Bolt 1/4-28 unf Gr. 8 w/Patch	63	175410	Engine Pulley LT/YT
14	10040400	Washer Lock Hvy Helical 1/4	64	71170764	Bolt Hex 7/16-20x4 Gr 5
18	74780616	Bolt Fin Hex 3/8-16unc X 1 Gr. 5	65	10040700	Washer Lock Hvy Hlcl Spr 7/16
19	73800600	Nut lock Hex w/Ins 3/8-16 Unc	66	154778	Keeper Belt Engine
21	106933X	Knob Rd 1/2-13 Plstc Thds Blk	70	134683	Guide Belt Mower Drive RH
22	130804	Rod Brake LT	74	137057	Spacer Axle
24	73350600	Nut Hex Jam 3/8-16 Unc	75	121749X	Washer 25/32 X 1 1/4 X 16 Ga
25	106888X	Spring Rod Brake 2 00 Zinc	76	12000001	E-ring #5133-75
26	19131316	Washer 13/32 X 13/16 X 16 Ga	77	123583X	Key Square 2 0 X 1845/ 1865
27	76020412	Pin Cotter 1/8 X 3/4 Cad	78	121748X	Washer 25/32 X 1-5/8 X 16 Ga
28	175765	Rod Brake Parking LT/YT	79	2228M	Key Woodruff
29	71673	Cap Brake Parking Black	96	4497H	Retainer Spring 1"
30	174973	Bracket Transmission	112	19091210	Washer 9/32 X 3/4 X 10 Ga
32	74760512	Bolt Fin Hex 5/16-18 x 3/4	113	127285X	Strap Torque 90 Degrees LH
34	175578	Shaft Asm Pedal Foot Nibbed	116	72140608	Bolt Rdhd Sq Neck 3/8-16 x 1
35	120183X	Bearing Nylon Blk 629 Id	120	73900600	Nut Lock Flg 3/8-16
36	19211616	Washer 21/32 X 1 X 16 Ga	145	74490540	Bolt Hex Flg.Hd. 5/16-18 x Gr.5
37	1572H	Pin Roll 3/16 X 1"	150	175456	Spacer Retainer Lt
38	179114	Pulley Composite Flat	151	19133210	Washer 13/32 x 2 x 10 Ga.
39	74760648	Bolt Fin Hex 3/8-16 x 3	170	<b>178394</b>	Keeper, Belt Transaxle
41	175556	Keeper Belt Idler	202	72110614	Bolt Carr Sh 3/8-16 x 1-3/4 Gr.5
47	127783	Pulley Idler V Groove Plastic	212	145212	Nut Hex Flg Lock
48	154407	Bellcrank Clutch Grnd Drv STL	250	17060612	Screw 3/8-16 x 3/4

**NOTE:** All component dimensions given in U.S. inches  
1 inch = 25.4 mm

# REPAIR PARTS

[www.ersatzteil-service.de](http://www.ersatzteil-service.de)

TRACTOR - - MODEL NUMBER PO1538C, PRODUCT NUMBER 954 56 82-74  
STEERING





# REPAIR PARTS

[www.ersatzteil-service.de](http://www.ersatzteil-service.de)

## TRACTOR - - MODEL NUMBER PO1538C, PRODUCT NUMBER 954 56 82-74 STEERING

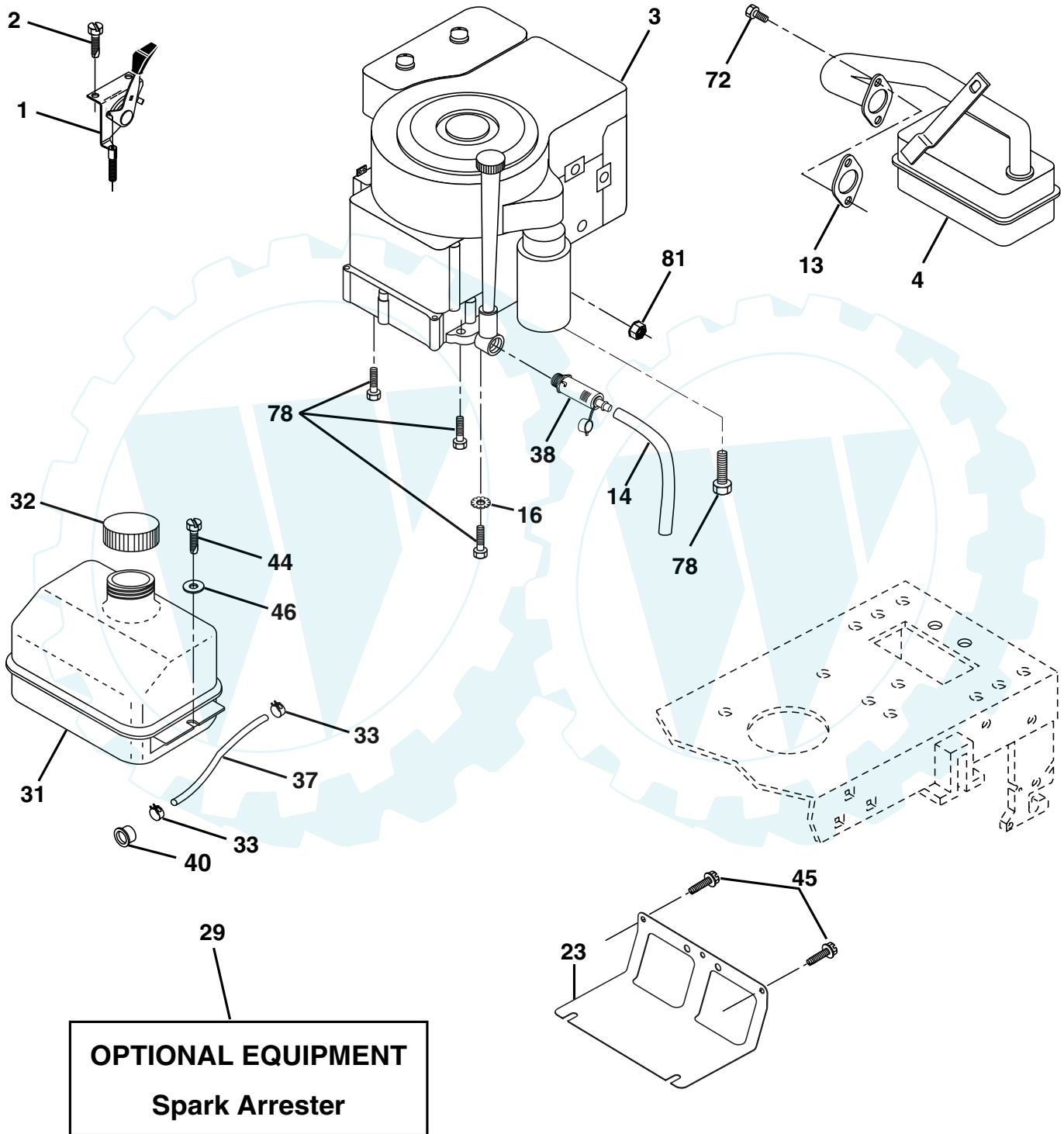
KEY NO.	PART NO.	DESCRIPTION
1	<b>140044X428</b>	Wheel Steering
2	175131	Axle Asm
3	169840	Spindle Asm LH
4	169839	Spindle Asm RH
5	6266H	Bearing Race Thrust Harden
6	121748X	Washer 25/32 x 1-5/8 x 16 Ga
7	19272016	Washer 27/32 x 1-1/4 x 16 Ga
8	12000029	Ring Klip #15304-75
9	3366R	Bearing Col Strg Blk
10	175121	Link Drag
11	10040600	Washer Lock Hvy Hlcl Spr 3/8
12	73940800	Nut Hex Jam Toplock 1/2-20
13	136518	Spacer earing Axle Front
15	145212	Hexflange Lock
17	180641	Shaft Asm Strg
26	126847X	Bushing Link Drag Blk LR
28	19131416	Washer 13/32 x 7/8 x 16 Ga
29	17060612	Screw 3/8-16 x 3/4
30	76020412	Pin Cotter 1/8 x 3/4 Cad
32	130465	Rod Tie Wire Form 19 75 Mech
36	155099	Bushing Strg 5/8 Id Dash
37	152927	Screw
38	<b>140045X428</b>	Cap Wheel Steer Ayp
39	19183812	Washer 9/16 x 2-3/8
40	7810H	Nut Lock Center 3/8-24un
41	100711L	Adaptor Wheel Strg
42	145054X428	Boot Dash Mtl Steering Blk
43	121749X	Washer 25/32 X 1 1/4 X 16 Ga
44	180640	Extension Steering
46	121232X	Cap Spindle Fr Top Blk
47	<b>183226</b>	Fitting Grease
51	73540400	Nut 1/4-28
54	71130420	Bolt Hex 1/4-28 x 1-1/4
65	160367	Spacer Brace Axle
67	72140618	Bolt Fin Hex 5/8-11 unc x 2-3/4
68	169827	Brace Axle
71	175146	Steering Asm.
82	169835	Bracket Susp Chassis Front
85	133835	Fastener Christmas Tree
88	175118	Bolt Shoulder 7/16-20
91	175553	Clip Steering

**NOTE:** All component dimensions given in U.S. inches  
1 inch = 25.4 mm.

# REPAIR PARTS

[www.ersatzteil-service.de](http://www.ersatzteil-service.de)

TRACTOR - - MODEL NUMBER PO1538C, PRODUCT NUMBER 954 56 82-74  
ENGINE



**OPTIONAL EQUIPMENT**  
**Spark Arrester**

# REPAIR PARTS

[www.ersatzteil-service.de](http://www.ersatzteil-service.de)

TRACTOR - - MODEL NUMBER PO1538C, PRODUCT NUMBER 954 56 82-74  
ENGINE

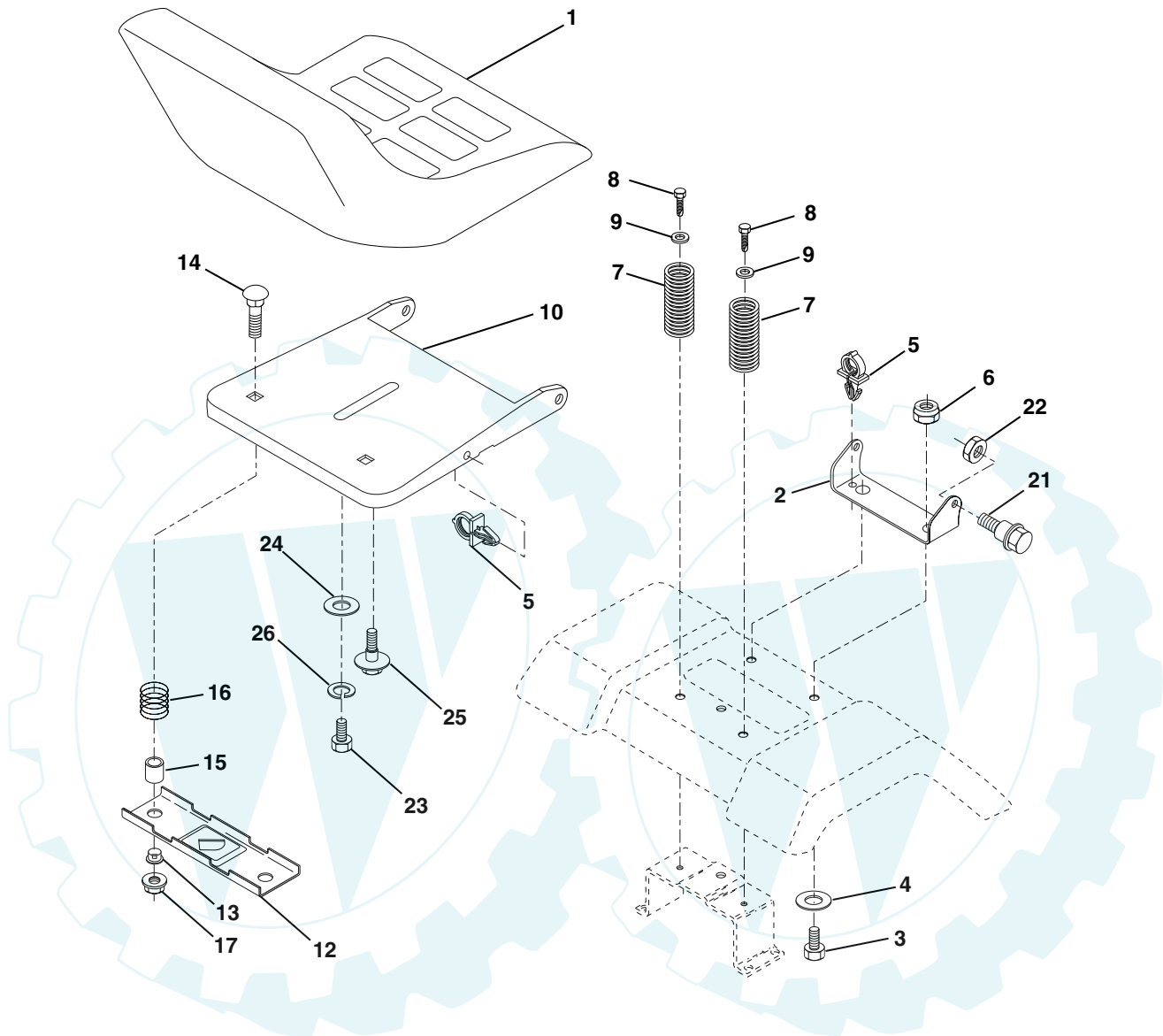
KEY NO.	PART NO.	DESCRIPTION
1	170551	Control Th/ch Flag
2	17720408	Screw Hex Thd Cut 1/4-20 x 1/2
3	-----	Engine, B&S <b>282H07</b> (Order parts from engine manufacturer)
4	137352	Muffler Exhaust B&S
13	165291	Gasket Eng 1 313 Id Tin Plated
14	148456	Tube Drain Oil Easy
16	11050600	Washer Lock Ext Tooth 3/8
23	169837	Shield BRN/DBR Guard
29	137180	Kit Spark Arrestor (Flat Scrn)
31	109202X	Tank Fuel Front
32	140527	Cap Asm Fuel
33	123487X	Clamp Hose
37	137040	Line Fuel 20"
38	<b>181654</b>	Plug Drain Oil
40	124028X	Bushing Snap Nyl Blk Fuel Line
44	17670412	Screw Thdrol 1/4-20 x 3/4
45	17000612	Screw Hex Wsh Thdrol 3/8-16
46	19091416	Washer 9/32 X 7/8 X 16 Ga
72	71070512	Screw Hexcap 5/16-18 x 3/4
78	17060620	Screw 3/8-16 x 1-1/4
81	73510400	Nut Keps Hex 1/4-20 Unc

**NOTE:** All component dimensions given in U.S. inches  
1 inch = 25.4 mm

# REPAIR PARTS

[www.ersatzteil-service.de](http://www.ersatzteil-service.de)

TRACTOR - - MODEL NUMBER PO1538C, PRODUCT NUMBER 954 56 82-74  
SEAT



KEY NO.	PART NO.	DESCRIPTION
1	127426X	Seat
2	140551	Bracket Seat Pivot
3	71110616	Bolt Hex 3/8 - 16 X 1
4	19131610	Washer 13/32 X 1 X 10Ga.
5	145006	Clip Push-In Hinged
6	73800600	Nut Lock Hex w/Ins 3/8 - 16
7	124181X	Spring Seat Cprsn 2 250 Blk Zi
8	17000616	Screw 3/8-16 x 1.5
9	19131614	Washer 13/32 X 1 X 14 Ga
10	<b>182493</b>	Pan Pnt Seat (Blk)
12	121246X	Bracket Pnt Mounting Switch
13	121248X	Bushing Snap Blk Nyl

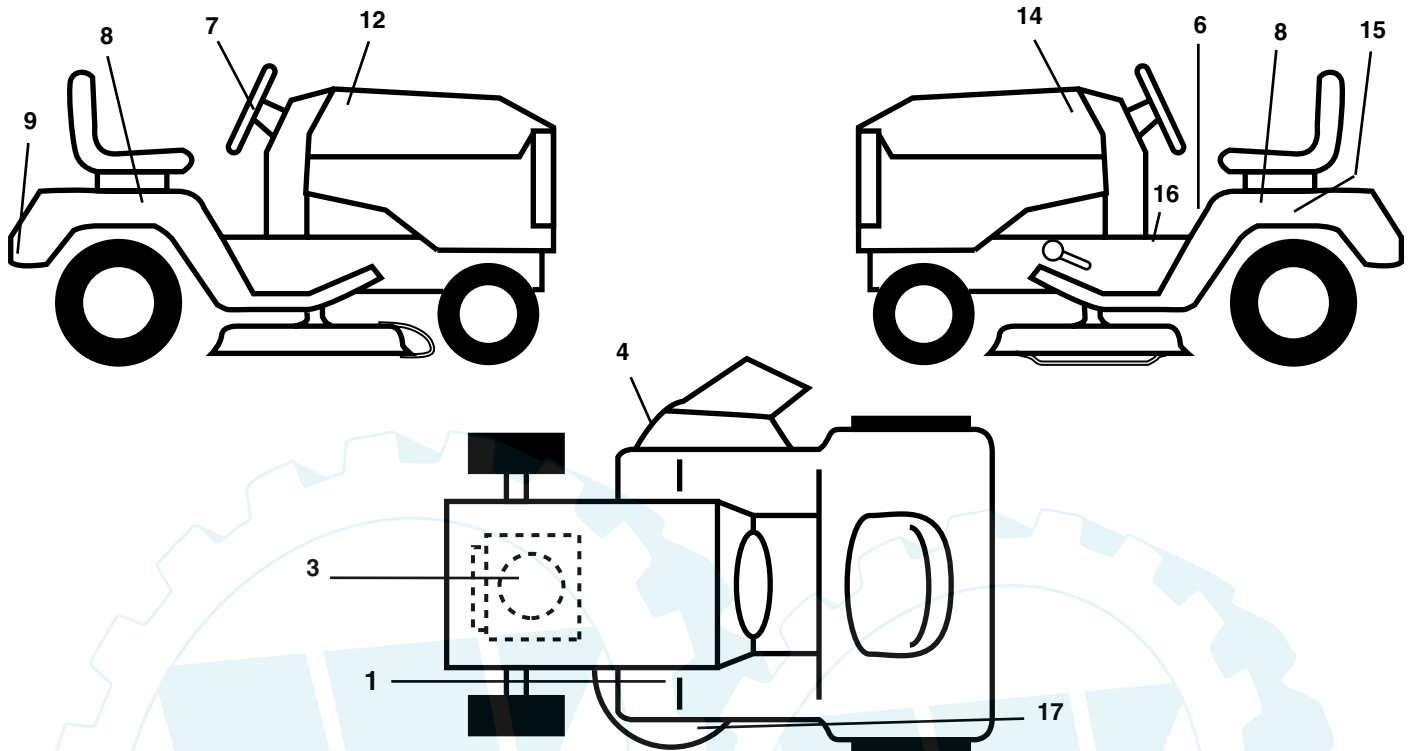
KEY NO.	PART NO.	DESCRIPTION
14	72050412	Bolt Rdhd Sht Nk 1/4 - 20 X 1 -1/2
15	134300	Spacer Split .28 X .96
16	121250X	Spring Cprsn
17	123976X	Nut Lock 1/4 Lge Flg
21	171852	Bolt Shoulder 5/16-18 X .2A
22	73800500	Nut Lock Hex w/Ins 5/16 - 18
23	71110814	Bolt Hex
24	19171912	Washer 17/32 X 1-3/16 X 12 Ga
25	127018X	Bolt Shoulder 5/16-18 X .62
26	10040800	Washer Lock Hvy Hlcl Spr 1/2

**NOTE:** All component dimensions given in U.S. inches  
1 inch = 25.4 mm.

# REPAIR PARTS

[www.ersatzteil-service.de](http://www.ersatzteil-service.de)

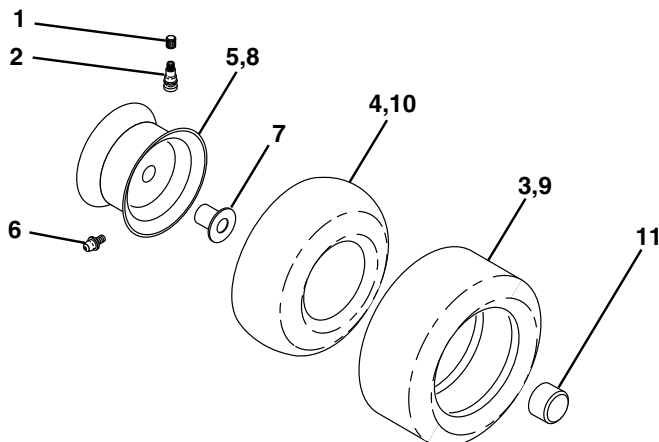
TRACTOR - - MODEL NUMBER PO1538C, PRODUCT NUMBER 954 56 82-74  
DECALS



KEY NO.	PART NO.	DESCRIPTION
1	181251	Decal, Clutch/Brake Eng/Fr
3	<b>184768</b>	Decal, Engine HP
4	170563	Decal Warning
6	157140	Decal, Fender Danger English
7	158168	Decal Ins Str Wh
8	172200	Decal, Fender 5 Sp.
9	158166	Decal Fender

KEY NO.	PART NO.	DESCRIPTION
12	181552	Decal, Hood RH
14	181553	Decal, Hood LH
15	145005	Decal, Caution, Battery
16	157163	Decal, Oper Sdl P/L Gear Dr Eng
17	136832	Decal, V-Belt Sch.
--	138311	Decal, Handle Lft Height Adj.
--	<b>183981</b>	Manual, Owner's English
--	<b>183982</b>	Manual, Owner's French

## WHEELS & TIRES



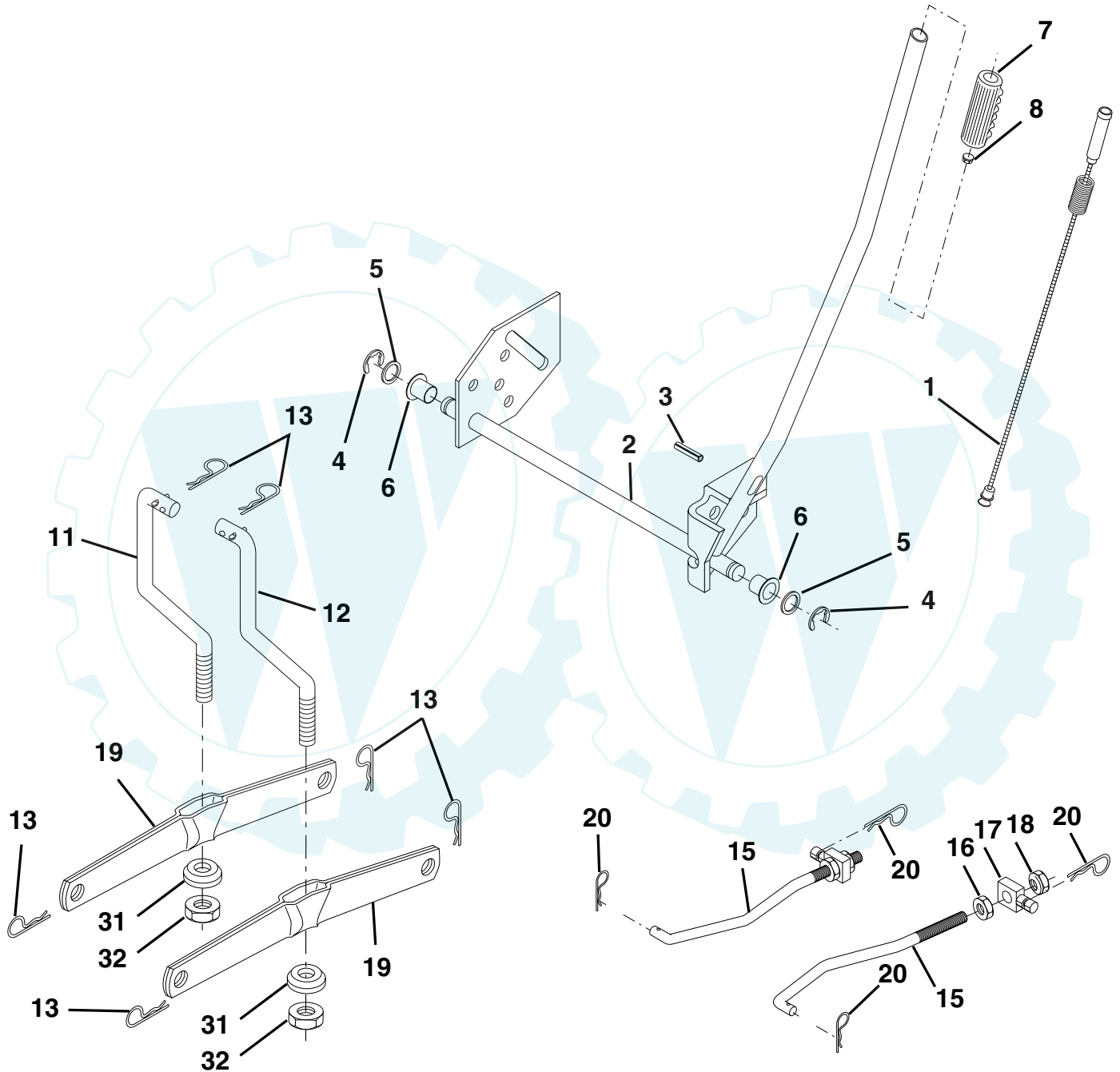
KEY NO.	PART NO.	DESCRIPTION
1	59192	Cap, Tire valve
2	65139	Stem, Valve
3	106222X	Tire, Front
4	59904	Tube, Front (Service item only)
5	<b>106732X624</b>	Rim assembly, 6" front
6	278H	Fitting, Grease (Front wheel only)
7	9040H	Bearing, Flange (Front wheel only)
8	<b>106108X624</b>	Rim assembly, 8" rear
9	124635X	Tire, Rear
10	7152J	Tube, Rear (Service item only)
11	104757X428	Cap, Hub Axle
--	144334	Sealant, Tire (10 oz. Tube)

**NOTE:** All component dimensions given in U.S. inches  
1 inch = 25.4 mm

# REPAIR PARTS

[www.ersatzteil-service.de](http://www.ersatzteil-service.de)

TRACTOR - - MODEL NUMBER PO1538C, PRODUCT NUMBER 954 56 82-74  
MOWER LIFT



# REPAIR PARTS

[www.ersatzteil-service.de](http://www.ersatzteil-service.de)

TRACTOR - - MODEL NUMBER PO1538C, PRODUCT NUMBER 954 56 82-74  
MOWER LIFT

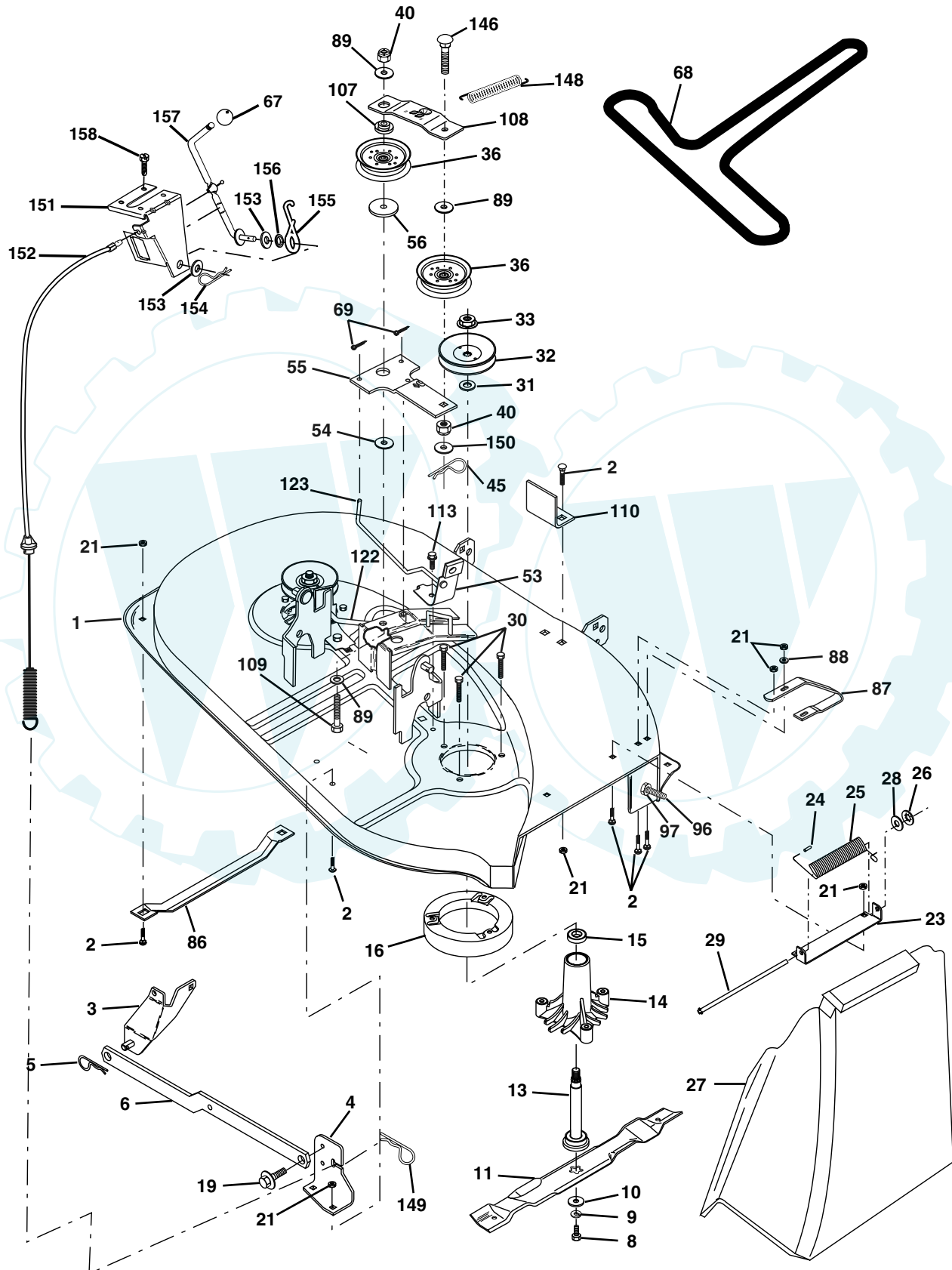
KEY NO.	PART NO.	DESCRIPTION
1	159460	Wire Asm Inner/Sprg w/plunger
2	159471	Shaft Asm Lift RH
3	105767X	Pin Groove 1 500 Zinc
4	12000002	E Ring #5133-62
5	19211621	Washer 21/32 X 1 X 21 Ga
6	120183X	Bearing Nylon Blk 629 Id
7	109413X	Grip Handle Bicycle Matte Blk
8	124526X	Button Plunger Black
11	139865	Link Lift LH Fixed Length
12	139866	Link Lift RH Fixed Length
13	4939M	Retainer Spring
15	173288	Link Front
16	73350800	Nut Jam Hex 1/2-13 Unc
17	175689	Trunnion
18	73800800	Nut Lockw/Wsh 1/2-13 Unc
19	139868	Arm Suspension Rear
20	163552	Retainer, Spring
31	169865	Bearing Pvt Lift
32	73540600	Nut Crownlock 3/8-24

**NOTE:** All component dimensions given in U.S. inches  
1 inch = 25.4 mm.

# REPAIR PARTS

[www.ersatzteil-service.de](http://www.ersatzteil-service.de)

TRACTOR - - MODEL NUMBER PO1538C, PRODUCT NUMBER 954 56 82-74  
MOWER DECK



Der Ersatzteilspezialist im Internet.



# REPAIR PARTS

## TRACTOR - - MODEL NUMBER PO1538C, PRODUCT NUMBER 954 56 82-74 MOWER DECK

KEY NO.	PART NO.	DESCRIPTION	KEY NO.	PART NO.	DESCRIPTION
1	170280	Mower Housing Assembly	67	106932X	Knob
2	72140506	Bolt Carriage 5/16-18 x 3/4	68	144200	V-Belt, 42" Mower
3	138017	Bracket Asm Fr. Sway Bar	69	76020312	Pin, Cotter 3/32 x 3/4
4	169970	Bracket Deck Sway Bar 38"/42"	86	7631J	Runner, LH
5	4939M	Retainer Spring	87	128772	Runner, RH
6	178024	Bar Sway Deck	88	19111216	Washer 11/32 x 3/4 x 16 Ga
8	850857	Bolt 3/8-24 x 1.25 Grade 8	89	19131612	Washer 13/32 x 1 x 12 Ga.
9	10030600	Washer, Lock 3/8	96	<b>74930620</b>	Bolt 3/8-16 x 1-1/4 Mulcher
10	140296	Washer, Hardened	97	<b>73930600</b>	Nut Centerlock 3/8-16 Unc
11	138497	Blade Mower	107	133502	Spacer Retainer
13	137645	Shaft Assembly, Mandrel, Vented (Includes Key Number 6)	108	133503	Stiffener, Idler Arm
14	128774	Housing, Mandrel, Vented	109	74760640	Bolt, Hex Hd 3/8-16 x 2-1/2
15	110485X	Bearing, Ball, Mandrel	110	142587	Upstop Deck Front 38"
16	174493	Stripper, Vented Mower Deck	113	17060512	Screw 5/16-1/ x 3/4
19	132827	Bolt, Shoulder	122	131289	Rod, Brake LH
21	73680500	Nut	123	169971	Rod, Brake RH
23	137607	Bracket, Mower Deflector	146	165891	Bolt Carriage Idler
24	105304X	Cap, Sleeve	148	169022	Spring Return Idler
25	123713X	Spring, Torsion, Deflector	149	165898	Retainer Spring Yellow
26	110452X	Nut, Push	150	19091216	Washer 9/32 x 3/4 x 16 Ga.
27	106736X428	Shield, Deflector	151	169670	Bracket Clutch Cable
28	19111016	Washer 11/32 x 5/8 x 16 Gauge	152	172758	Clutch Cable 38"/46"
29	106735X	Rod, Hinge	153	169674	Washer Flat 3/8" Type B
30	173984	Screw Thdrol.	154	169675	Spring Retainer
31	129963	Washer, Spacer	155	169671	Spring Retention LVR CLTCH CAB
32	153532	Pulley, Mandrel	156	169672	Spacer Clutch Cable
33	178342	Nut, Toplock	157	169669	Rod Clutch Cable 3/8"
36	131494	Pulley, Idler, Flat	158	17720408	Screw Hex Thd Cut 1/4-20 x 1/2
40	73680600	Nut, Crownlock 3/8-16 Unc	--	130794	Mandrel Assembly (Includes Housing, Shaft and Shaft Hardware Only - Pulley Not Included)
45	4497H	Retainer	--	170317	Replacement Mower, Complete
53	130840	Brake Assembly			
54	<b>178515</b>	Washer, Hardened			
55	133840	Idler Arm Assembly			
56	165723	Spacer, Retainer			

**NOTE:** All component dimensions given in U.S. inches  
1 inch = 25.4 mm