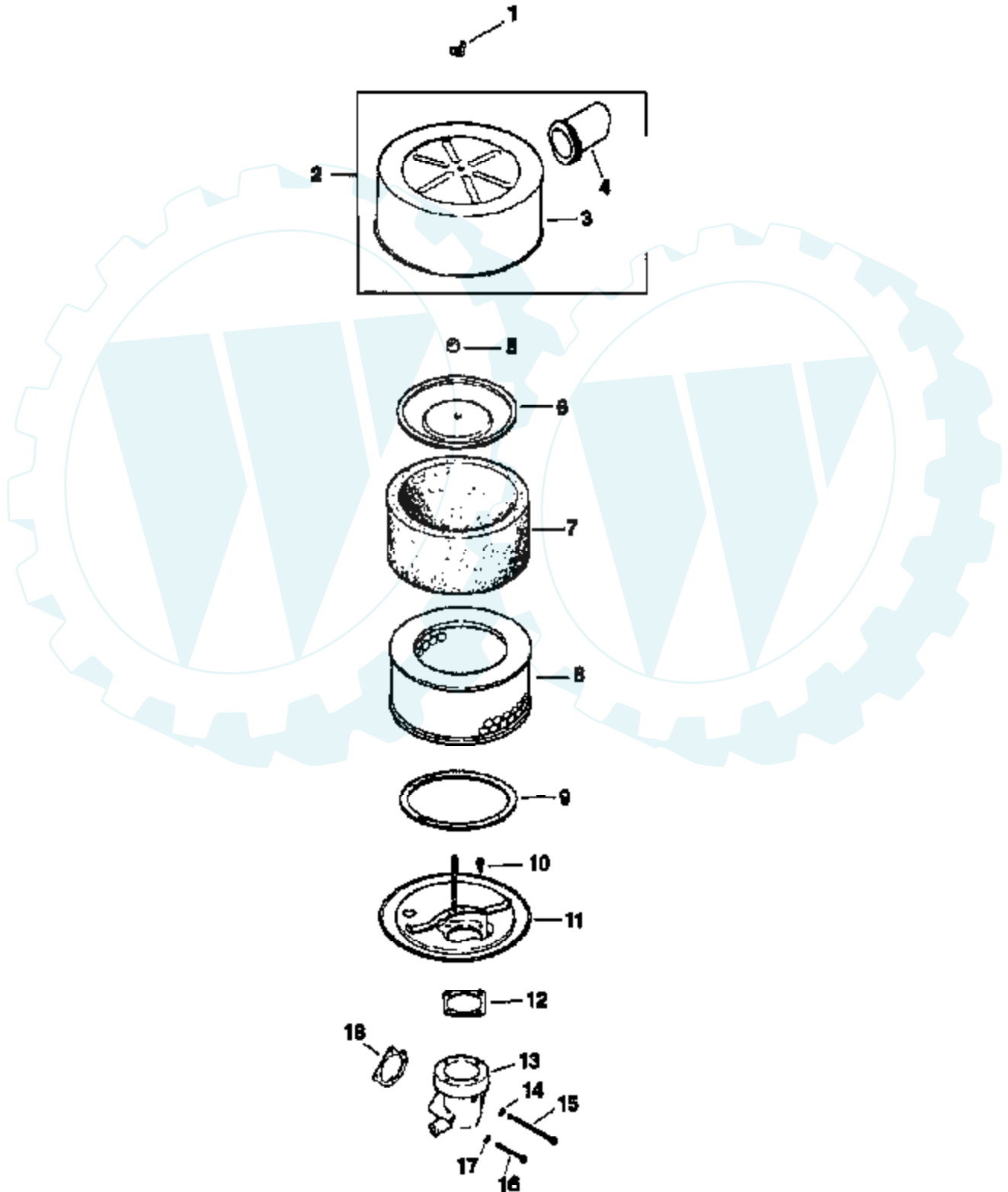
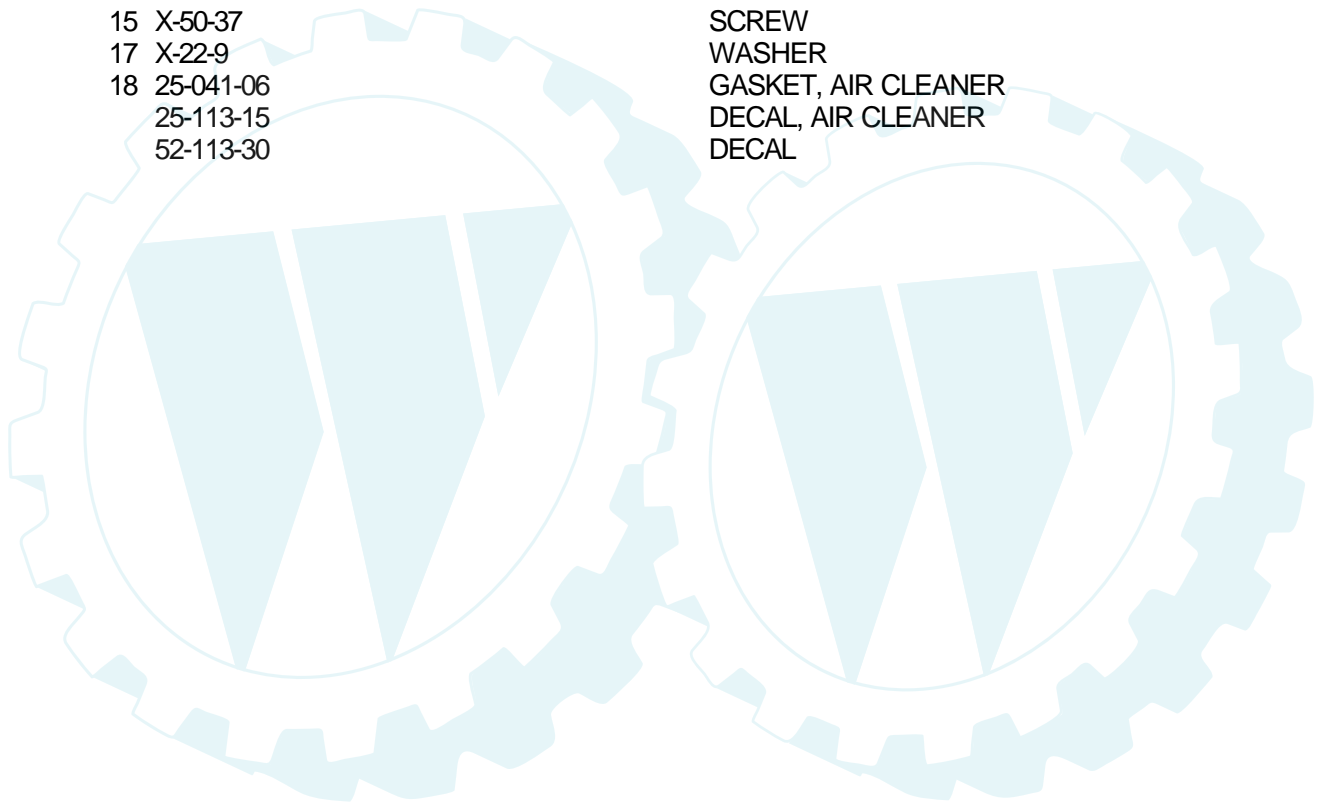


**20 HP 50" TRACTOR - - MODEL NUMBER AYP8228A49**  
**KOHLER ENGINE - MODEL NUMBER MV20S, TYPE NUMBER 57528**

**AIR INTAKE**

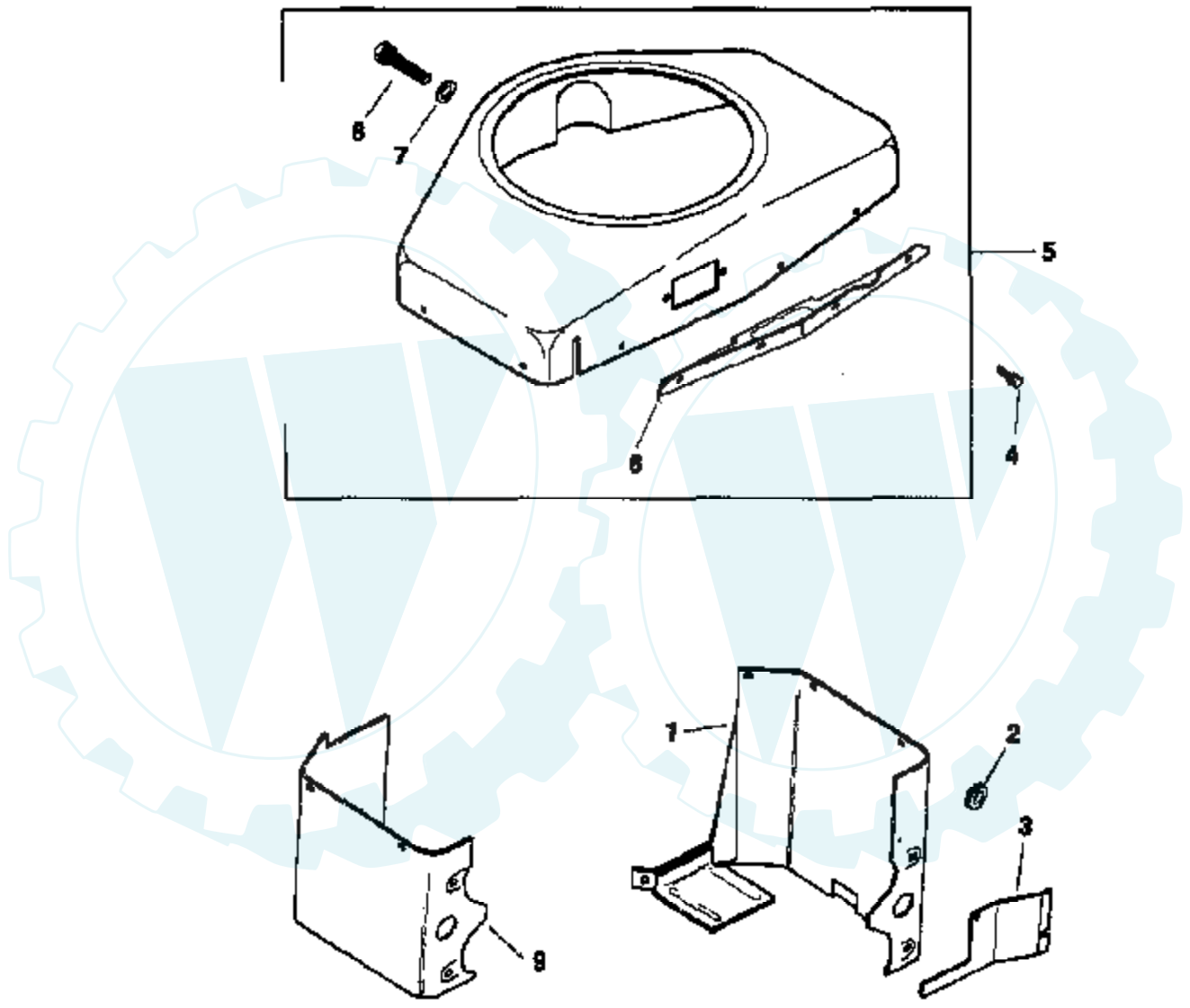


Ref #	Part Number	Qty	Description
1	X-276-7		WING NUT
2	52-755-83		KIT
3	52-096-35		COVER AIR CLEANER
4	52-123-21		TUBE AIR INTAKE
5	231032		SEAL ELEMENT
6	52-082-04		COVER AIR CLEANER ELEMENT
7	45-083-01		PRE-CLEANER
8	45-083-02		ELEMENT
9	237423		SEAL
10	X-67-98		SCREW
11	52-201-06		BASE
12	277093		GASKET
13	52-054-39		ELBOW AIR INTAKE
14	X-25-79		WASHER
15	X-50-37		SCREW
17	X-22-9		WASHER
18	25-041-06		GASKET, AIR CLEANER
	25-113-15		DECAL, AIR CLEANER
	52-113-30		DECAL

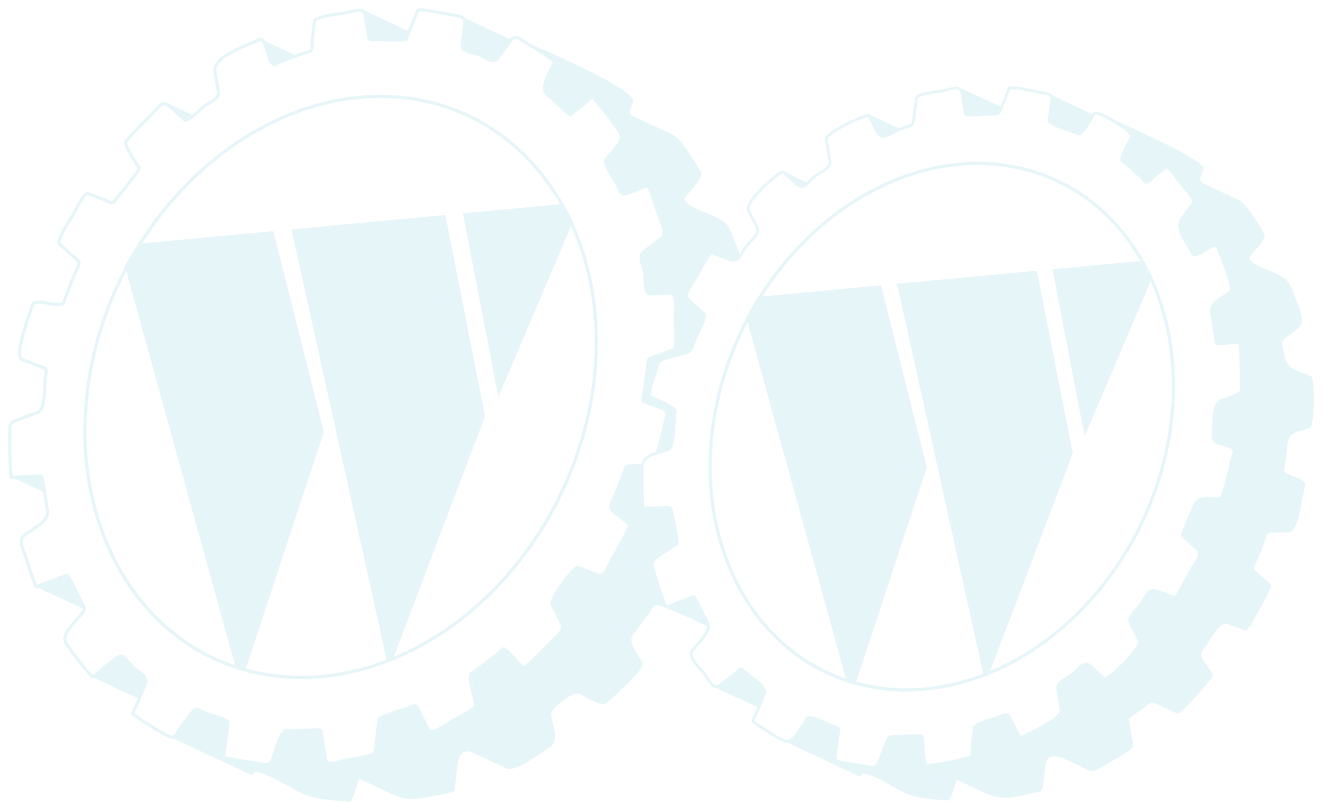


**20 HP 50" TRACTOR - - MODEL NUMBER AYP8228A49**  
**KOHLER ENGINE - MODEL NUMBER MV20S, TYPE NUMBER 57528**

**BAFFLES AND SHROUD**

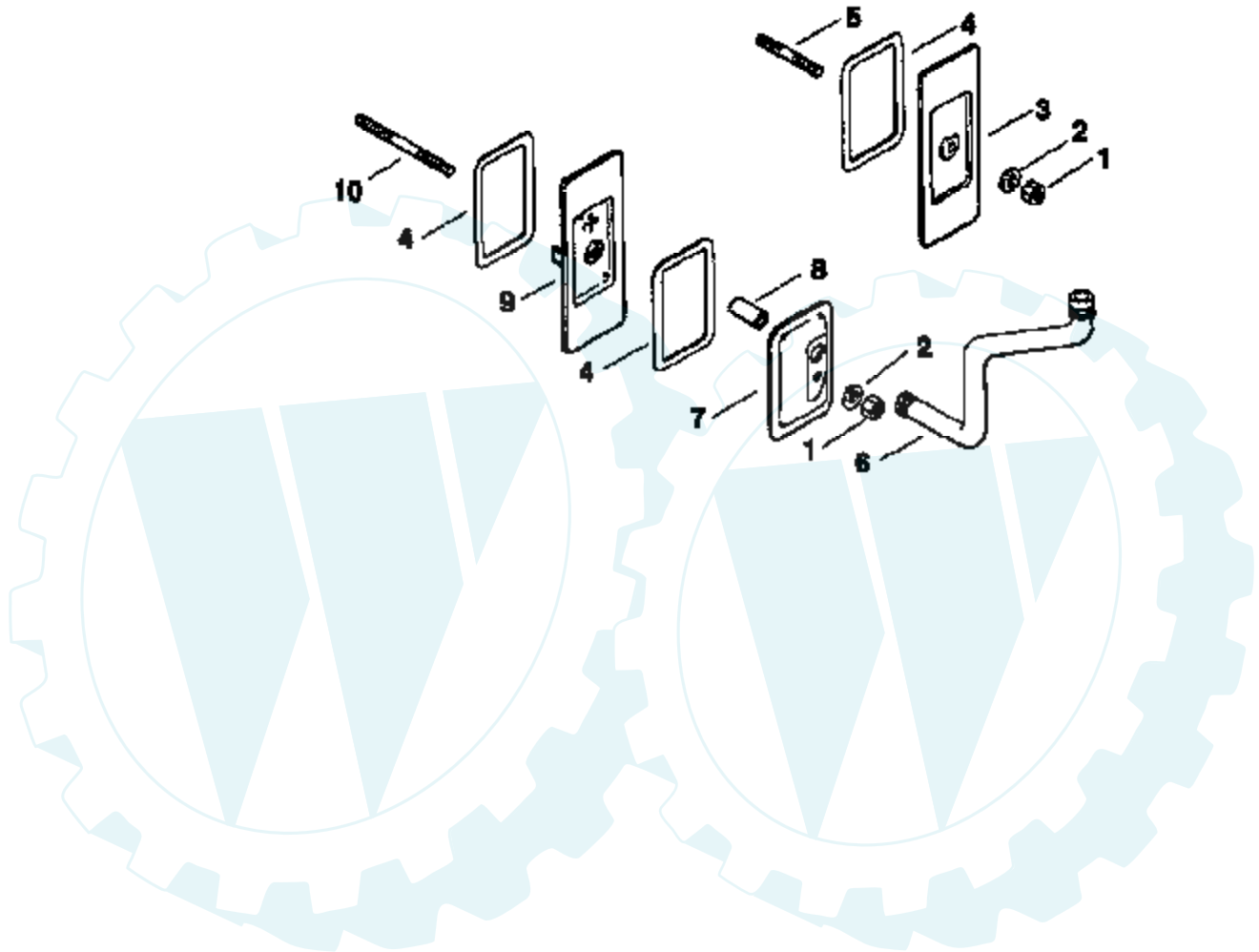


Ref #	Part Number	Qty	Description
1	52-063-41		BAFFEL, #2 HEAD
2	52-313-05		GROMMET
3	52-063-42		BAFFLE, FUEL PUMP
4	X-67-83		SCREW
5	52-755-70		KIT
6	52-217-01		SUPPORT
7	52-468-16		WASHER
8	52-086-11		SCREW
9	52-124-23		BAFFLE, #1 HEAD
	52-113-46		DECAL, HORSEPOWER(3)



**20 HP 50" TRACTOR - - MODEL NUMBER AYP8228A49**  
**KOHLER ENGINE - MODEL NUMBER MV20S, TYPE NUMBER 57528**

**BREATHER AND VENT**

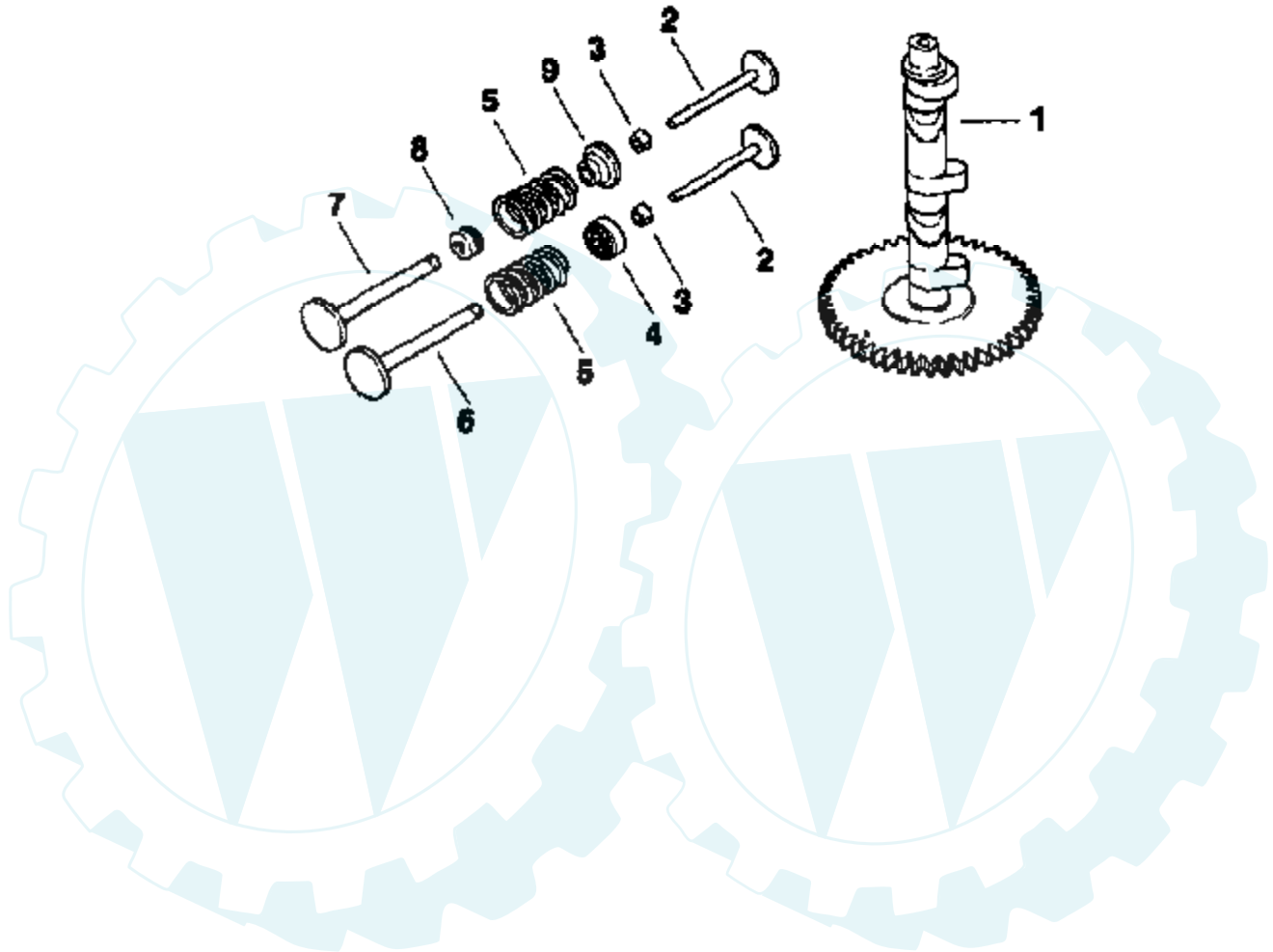


Ref #	Part Number	Qty	Description
1	X-81-1		NUT
2	X-25-12		WASHER
3	52-096-55		COVER
4	52-055-01		GASKET
5	X-352-39		STUD
6	52-326-12		HOSE
7	52-096-08		COVER
8	52-032-04		SEAL BREATHER
9	52-035-02		BREATHER ASSY
10	275220		STUD



**20 HP 50" TRACTOR - - MODEL NUMBER AYP8228A49**  
**KOHLER ENGINE - MODEL NUMBER MV20S, TYPE NUMBER 57528**

**CAMSHAFT AND VALVES**

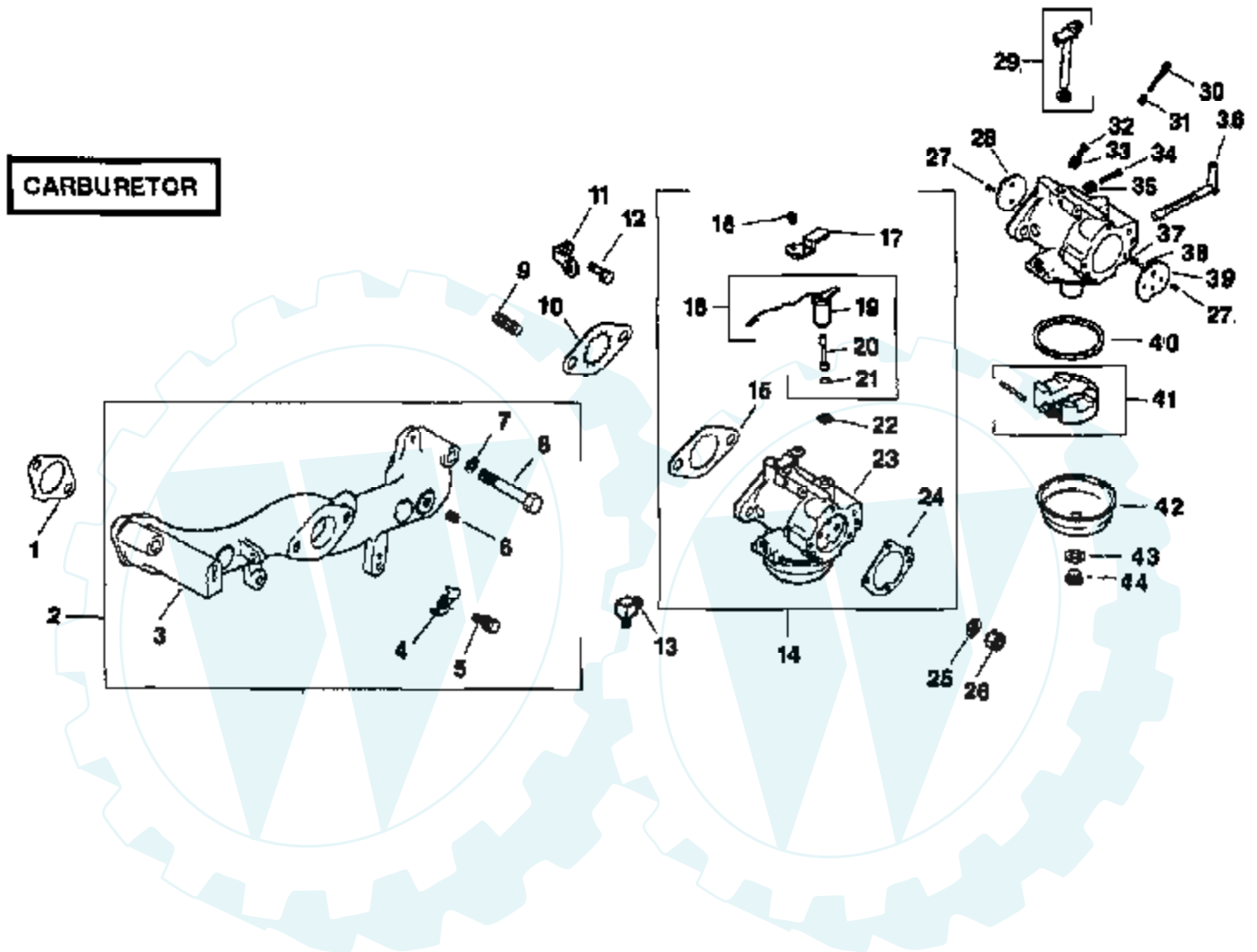


Ref #	Part Number	Qty	Description
1	52-012-09		CAMSHAFT
2	52-019-03		TAPPET
3	41-755-10		KIT RETAINER
4	52-413-01		ROTATOR
5	25-089-01		SPRING
6	52-016-05		VALVE EXHAUST
7	52-017-08		VALVE, INTAKE
8	52-032-13		SEAL
9	230011		RETAINER, INTAKE VALVE



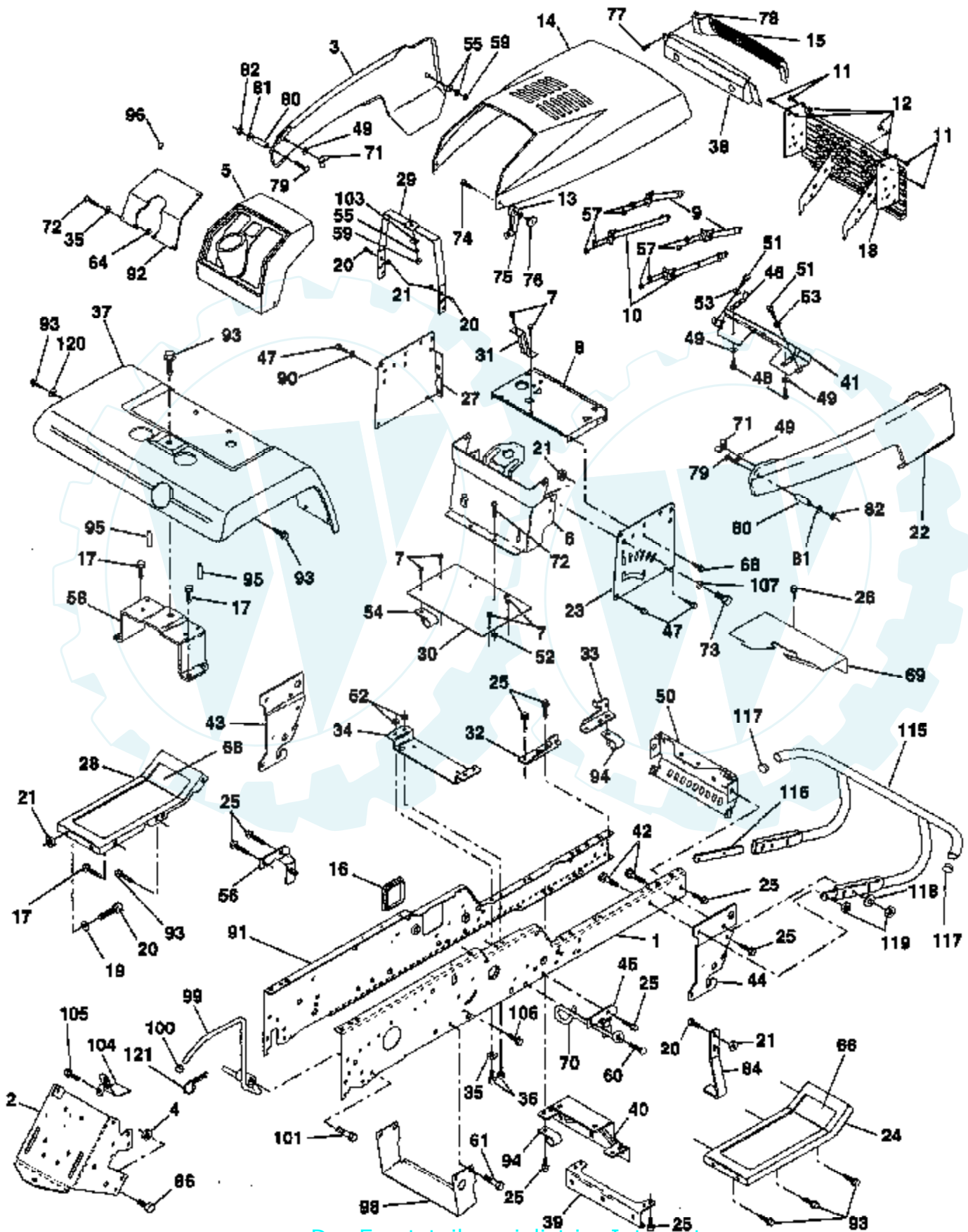


**20 HP 50" TRACTOR - - MODEL NUMBER AYP8228A49**  
**KOHLER ENGINE - MODEL NUMBER MV20S, TYPE NUMBER 57528**



Ref #	Part Number	Qty	Description
1	52-041-09		GASKET
2	52-755-91		KIT
3	52-164-15		MANIFOLD
7	X-21-1		WASHER
8	8-6-29		SCREW, HEX CAP 5/16-18 X 1-14 (4)
6	X-75-23		PLUG
4	235778		CLAMP
5	X-67-97		SCREW
9	41-072-19		STUD
10	52-063-40		BAFFLE
13	25-155-02		CONNECTOR
14	52-853-35		KIT, CARB. W/GASKET
15	271030		GASKET
16	25-086-15		SCREW, 1/4-20 X 1
17	52-126-13		BRAKET, SOLENOID
18	25-755-06		KIT, SOLENOID
19	15-155-08		CONNECTOR
20	52-411-07		ROD, SOLENOID
21	52-153-01		O-RING
22	277180		GASKET, NEEDLE SEAT
23	52-053-71		CARB. ASSM.
24	25-041-06		GASKET, AIR CLEANER
25	X-22-11		WASHER, INTERNAL TOOTH
26	X-77-2		NUT
11	232867		STRAP
12	X-67-62		SCREW
27	25-086-27		SCREW
28	25-146-03		PLATE, CHOKE
29	52-144-25		SHAFT, THTLE,W/LEVER & SEAL
30	25-368-01		NEEDLE
31	25-089-02		SPRING
32	25-086-26		SCREW
33	25-089-04		SPRING
34	25-368-03		NEEDLE
35	25-089-02		SPRING
36	52-090-13		LEVER
37	25-089-03		SPRING
38	25-194-01		BALL
39	25-146-02		PLATE
40	25-041-04		GASKET
41	25-757-09		KIT
42	25-104-01		BOWL, FUEL
43	25-041-03		GASKET
44	25-100-05		SCREW, BOWL RETAINER
	271030		GASKET
	25-757-23		KIT, BOWL VENT BAFFLE
	25-757-11		KIT, CARB. REPAIR
	25-518-12		LEAD, BLACK
	25-518-25		LEAD, RED SOLE. TO CONNECTOR

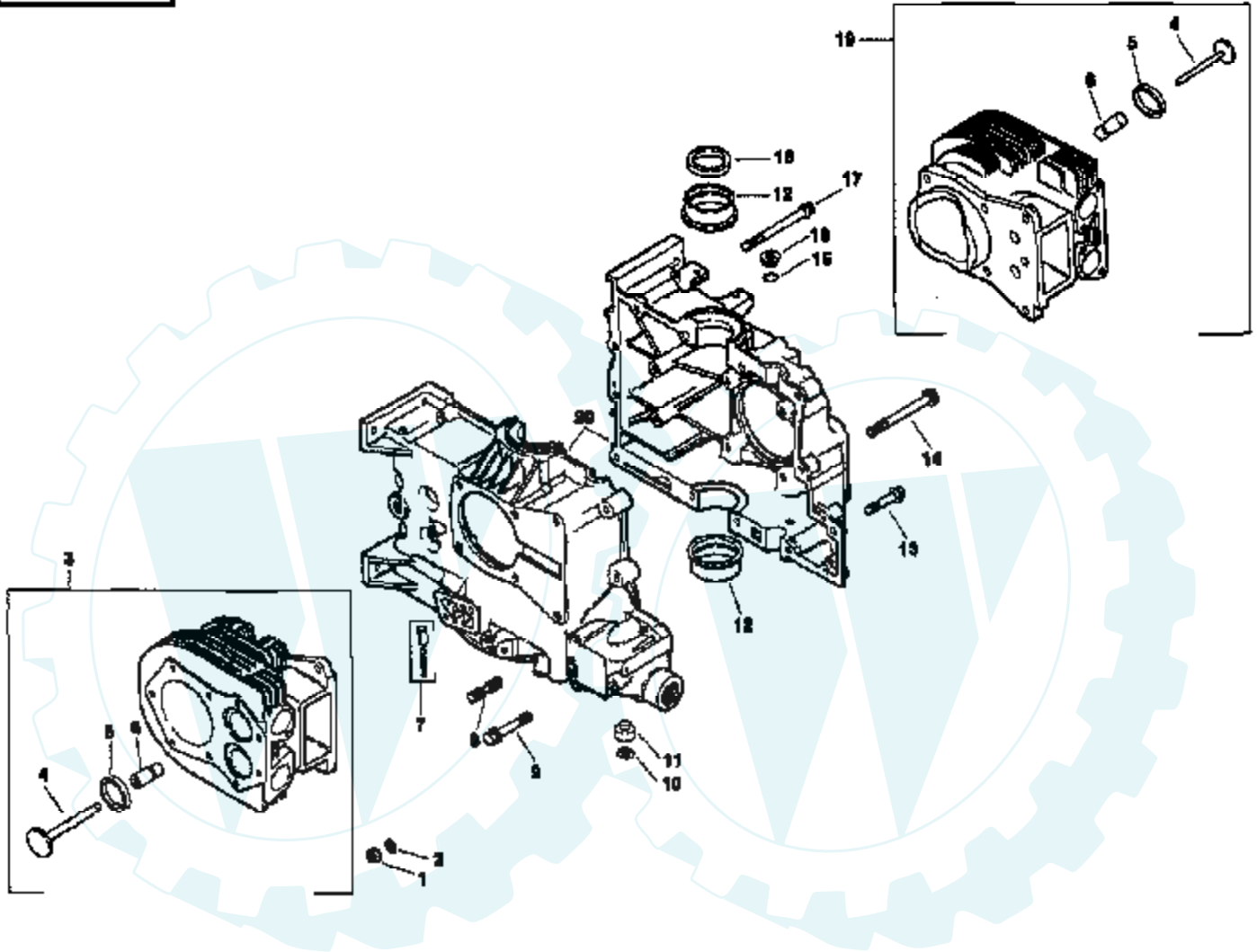
## 20 HP 50" TRACTOR -- MODEL NUMBER AYP8228A49 CHASSIS AND ENCLOSURES



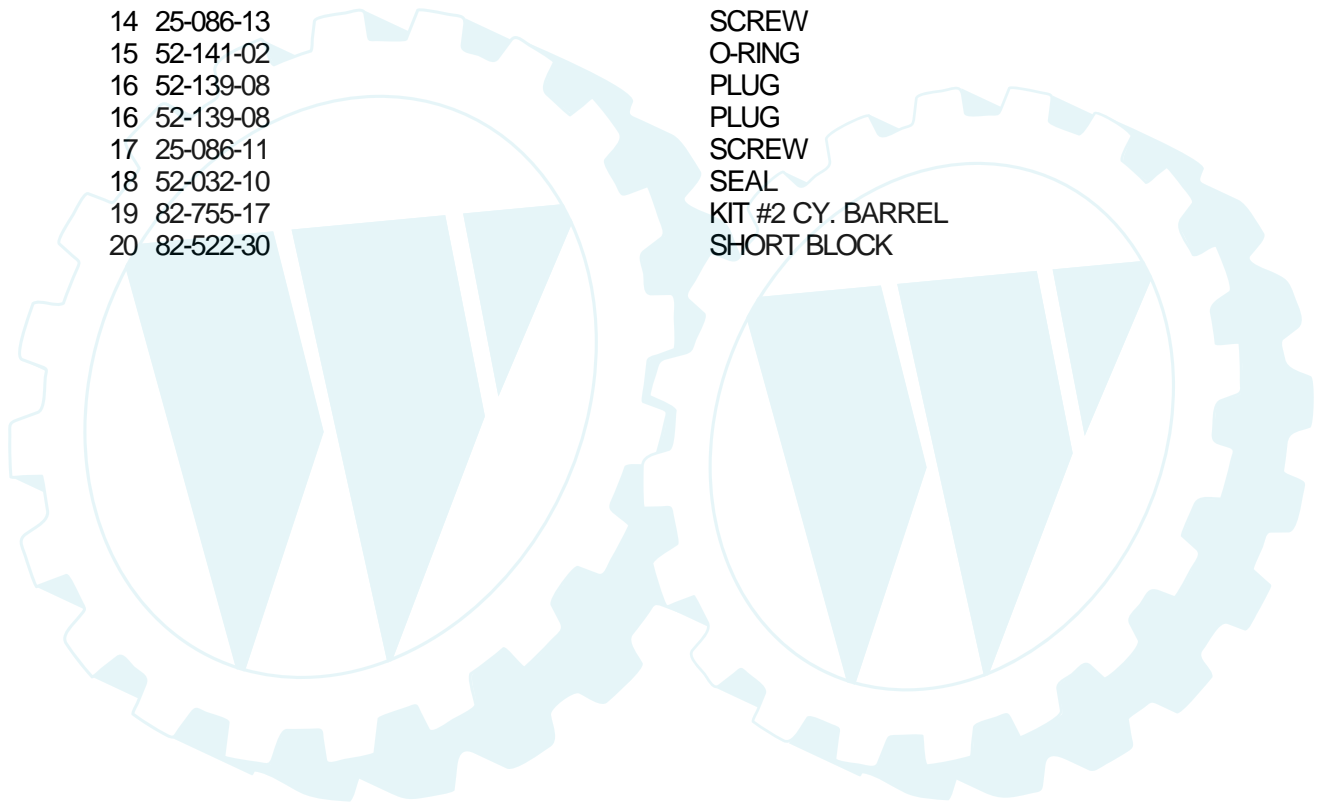
Ref #	Part Number	Qty	Description
1	140505		SUB= 150383
2	140506		DRAWBAR GT
3	140678X418		PANEL SD LH YT/GT
4	73800700		NUT.7/16
5	140398		DASHBOARD BLACK
6	140638		DASH ASM LOWER
7	17720408		SCREW
8	140229		SUPPORT BATRY VGT
9	104618X		SUB= 155013
10	106748X		STRAP, ASM. HINGE REAR
11	123481X		SUB= 7605J
12	73800400		NUT
13	109808X		HOOD LATCH T
14	132635X505		SUB= 150301X505
15	106395X		LENS LT
16	121794X		COVER ACCESS
17	17490612		SCREW
18	140037X431		GRILLE.ASM.PNT.YP
19	19131312		WASHER
20	74760616		BOLT
21	73800600		NUT
22	140679X418		PANEL SD RH YT/GT
23	121045X		SUB= 532121045
24	121045X		SUB= 532121045
24	105464X505		SUB= 145243X505
25	17490612		SCREW
26	17490512		SCREW
27	121046X		SUB= 532121046
28	105465X505		SUB= 145244X505
29	124130X		SUPPORT ASSY
30	140493		SADDLE SLKSCRND
31	137556		BRACE.SUPT.STRG
32	141315		BRACKET ASM FRAME
33	141314		BRACKET ASM FRAME
34	136963		SUB= 142131
35	19111116		WASHER
36	74780512		BOLT
37	140002X505		FENDER.PNT.
38	124392X417		SUB= 147717
39	136961		BRACKET.AXLE.FRT.
40	136962		SUB= 156111
51	17490412		SCREW HEX CRT
41	105419X418		STRAP.GRILLE
42	72140610		BOLT.3/8-14X1.25
43	136939		BRACKET.SUS.FT.LH
52	73800500		NUT
45	138460		SUB= 155887
46	132644		SUB= 532132644
47	17490608		SCREW LT
48	17490512		SCREW
49	19131210		WASHER
50	136575		BRACKET.CHASSIS.

**20 HP 50" TRACTOR - - MODEL NUMBER AYP8228A49**  
**KOHLER ENGINE - MODEL NUMBER MV20S, TYPE NUMBER 57528**

**CRANKCASE**

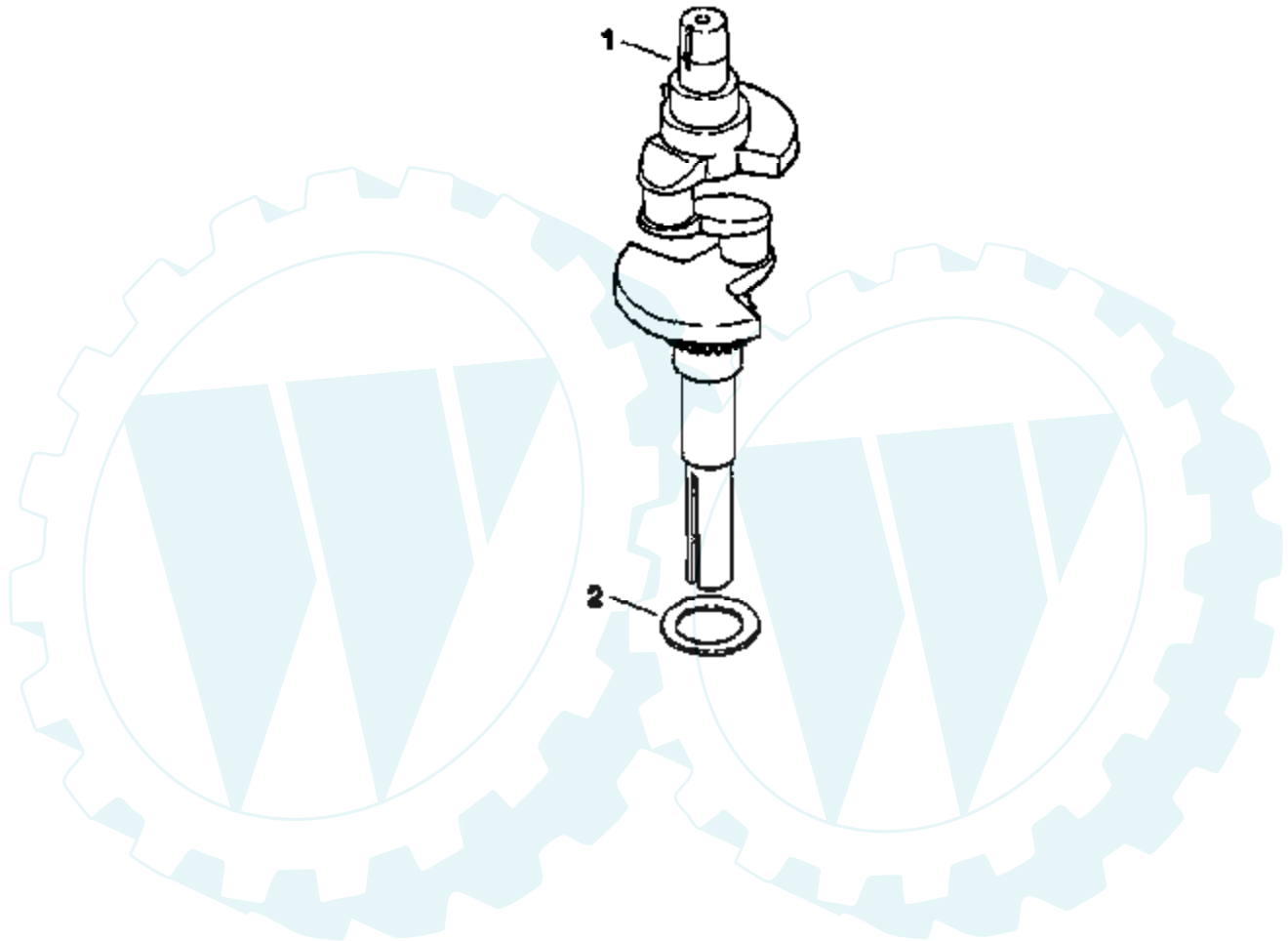


Ref #	Part Number	Qty	Description
1	X-82-2		NUT
2	52-468-12		WASHER
3	82-755-16		KIT #1 CY. BARREL
4	52-016-05		VALVE EXHAUST
5	52-031-01		INSERT
6	52-316-06		GUIDE
7	52-755-50		KIT
8	52-072-12		STEP STUD
9	25-086-12		SCREW
10	X-269-43		RING, RETAINING
11	52-078-05		SHAFT
12	52-030-11		BEARING
12	52-030-12		BEARING
13	25-086-10		SCREW
14	25-086-13		SCREW
15	52-141-02		O-RING
16	52-139-08		PLUG
16	52-139-08		PLUG
17	25-086-11		SCREW
18	52-032-10		SEAL
19	82-755-17		KIT #2 CY. BARREL
20	82-522-30		SHORT BLOCK



**20 HP 50" TRACTOR - - MODEL NUMBER AYP8228A49**  
**KOHLER ENGINE - MODEL NUMBER MV20S, TYPE NUMBER 57528**

**CRANKSHAFT**



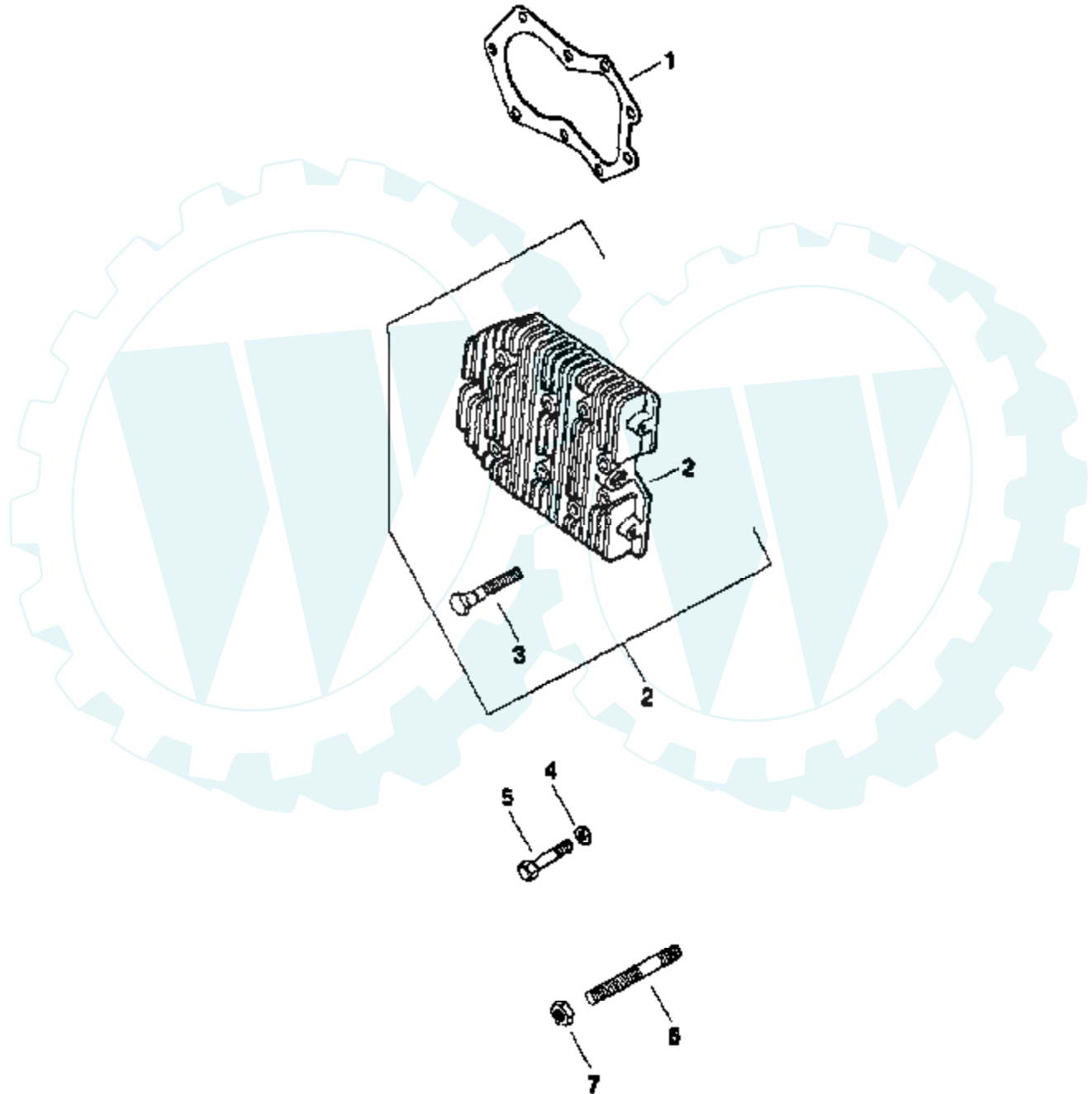
Ref #	Part Number	Qty	Description
1	52-014-93		CRANKSHAFT
2	52-468-03		WASHER, .119/.122 (A.R.)
2	52-468-04		WASHER, .128/.131
2	52-468-05		WASHER, .137/.140 (A.R.)





**20 HP 50" TRACTOR - - MODEL NUMBER AYP8228A49**  
**KOHLER ENGINE - MODEL NUMBER MV20S, TYPE NUMBER 57528**

**CYLINDER HEAD**

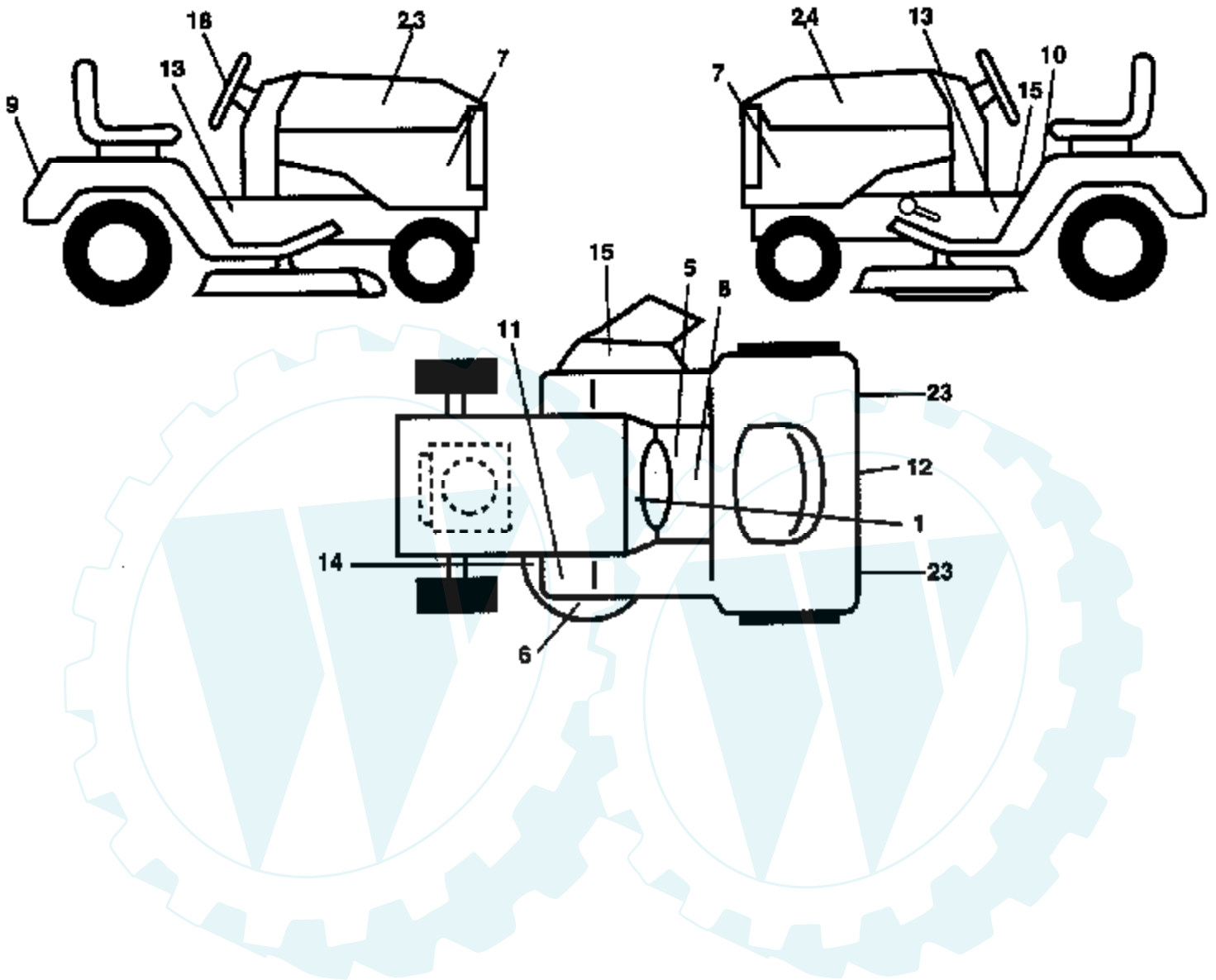


Ref #	Part Number	Qty	Description
1	52-041-20		GASKET
2	52-755-78		KIT, CYL. HEAD
3	25-086-07		SCREW
4	220534		WASHER
5	41-086-02		SCREW
6	52-072-15		STUD
7	X-82-2		NUT

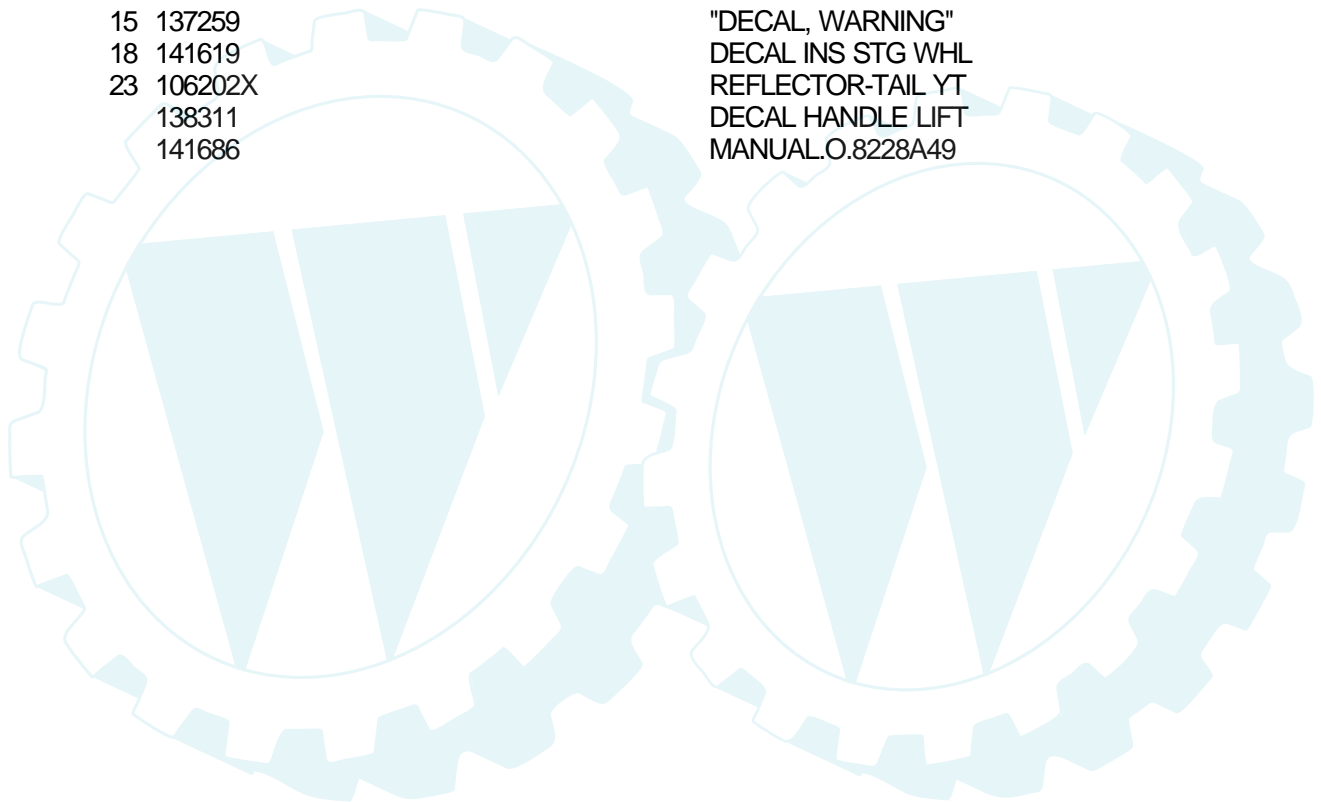


## 20 HP 50" TRACTOR - - MODEL NUMBER AYP8228A49

### DECALS

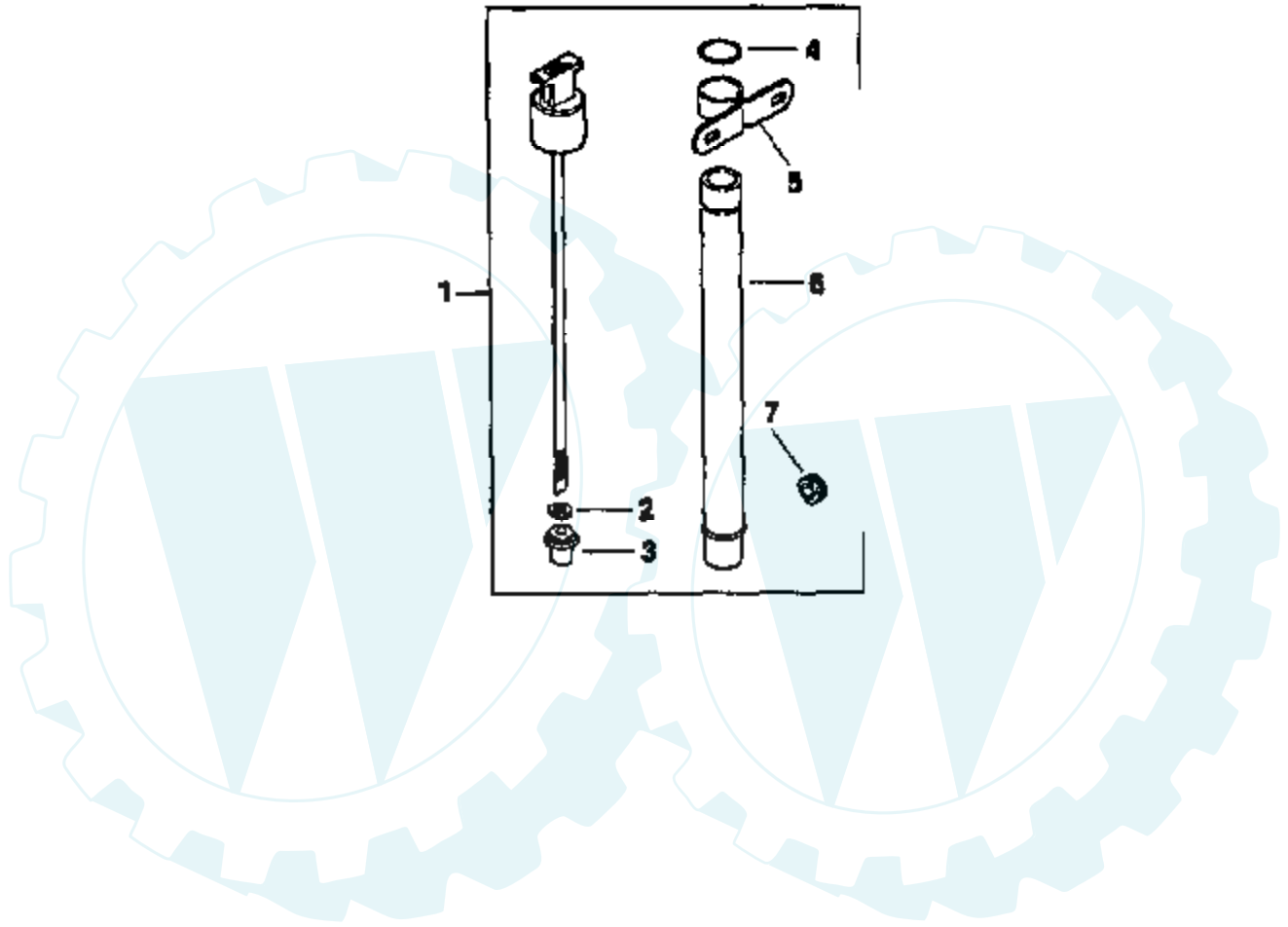


Ref #	Part Number	Qty	Description
1	138955		DECAL.DASH.INST.
2	133780		NLA
3	141556		DECAL HD RH WIZ +
4	141557		DECAL HD LH WIZ +
5	140837		DECAL BRAK PARK
6	141517		DECAL DECK WIZ +
7	141584		DECAL PNL SD KOH
8	142336		DECAL SADLE HYDRO
9	127520		NLA
10	133796		DECAL
11	4900J		DECAL T
12	142342		DECAL D-BAR CNTRL
13	141587		DECAL CHASSIS 50
14	139346		"DECAL.V.BELT.44""
15	137259		"DECAL, WARNING"
18	141619		DECAL INS STG WHL
23	106202X		REFLECTOR-TAIL YT
	138311		DECAL HANDLE LIFT
	141686		MANUAL.O.8228A49



**20 HP 50" TRACTOR - - MODEL NUMBER AYP8228A49**  
**KOHLER ENGINE - MODEL NUMBER MV20S, TYPE NUMBER 57528**

**DIPSTICK**

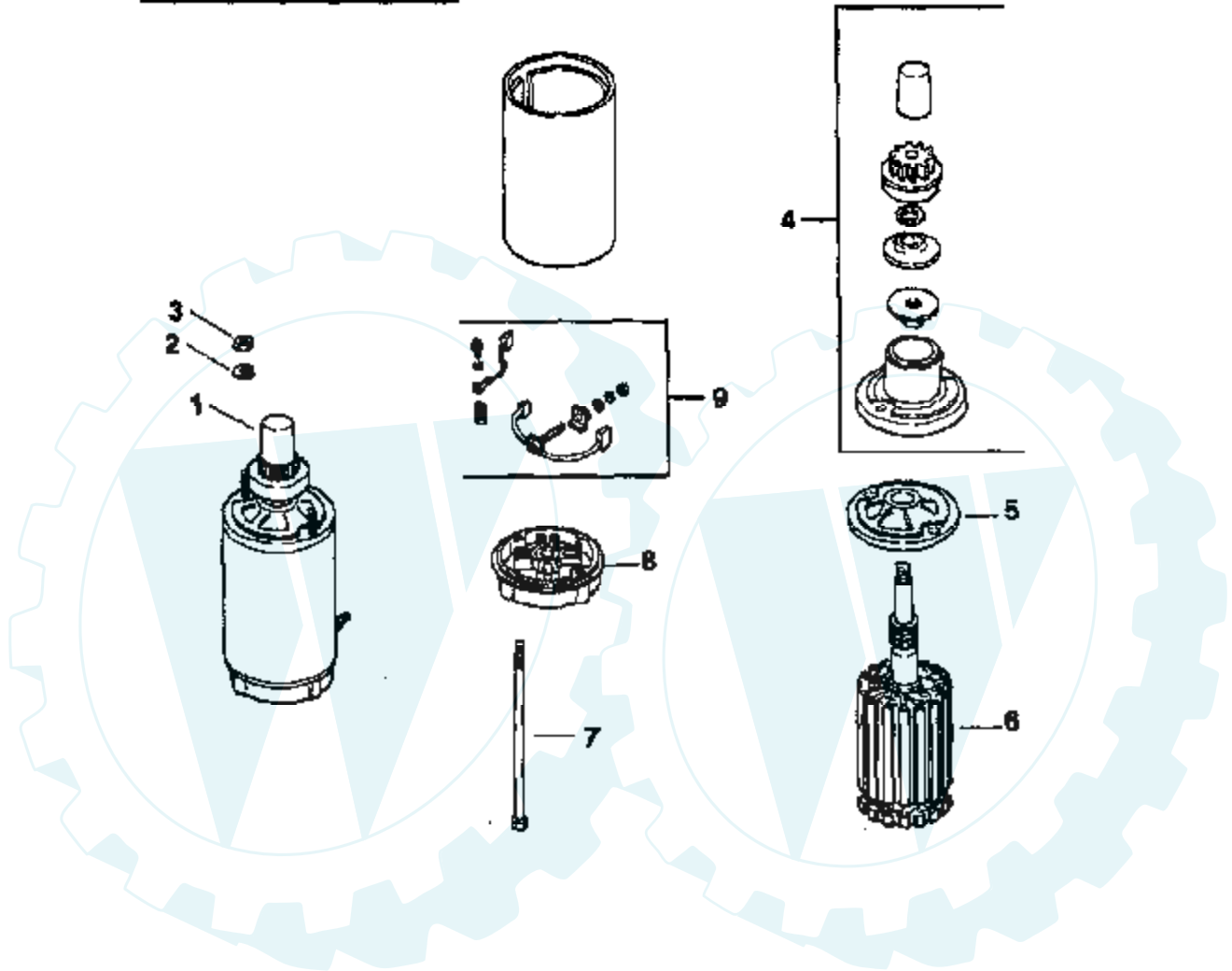


Ref #	Part Number	Qty	Description
1	52-038-14		DIPSTICK
2	X-25-44		WASHER, PLAIN 5/16
3	52-032-14		SEAL RUBBER
4	41-153-01		O-RING
5	52-126-11		BRKT
6	52-123-20		TUBE
7	47-139-01		PLUG, HEX 3/4



**20 HP 50" TRACTOR - - MODEL NUMBER AYP8228A49**  
**KOHLER ENGINE - MODEL NUMBER MV20S, TYPE NUMBER 57528**

**ELECTRIC STARTER**



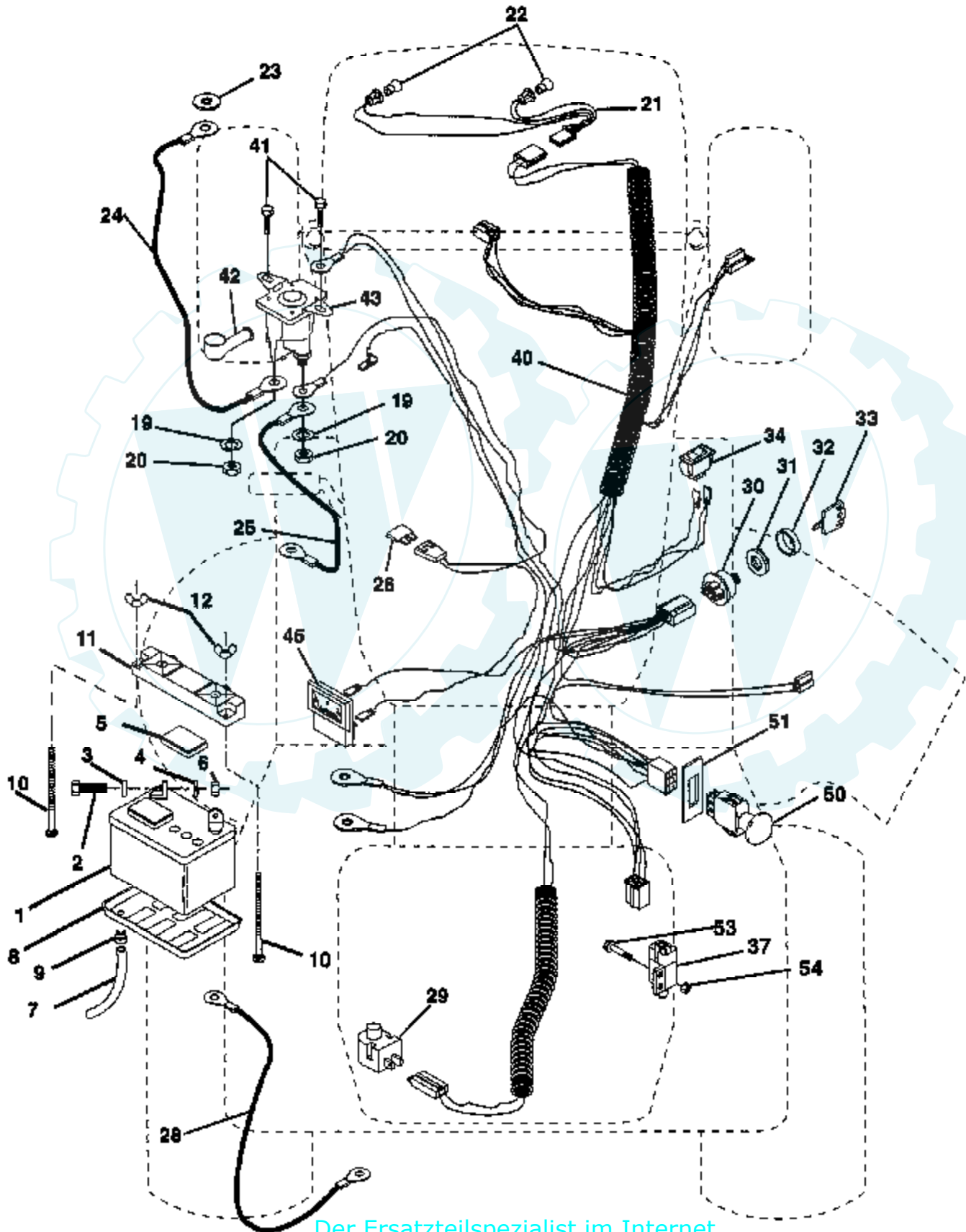
Ref #	Part Number	Qty	Description
1	52-098-12		STARTER ASSY
2	X-20-1		WASHER
3	X-81-1		NUT
4	82-755-26		KIT, DRIVE
5	52-081-07		CAP
6	52-170-05		ARMATURE
7	52-211-01		BOLT
8	52-227-10		CAP
9	82-755-28		KIT BRUSH
	25-450-03		TAG CAUTION





# 20 HP 50" TRACTOR - - MODEL NUMBER AYP8228A49

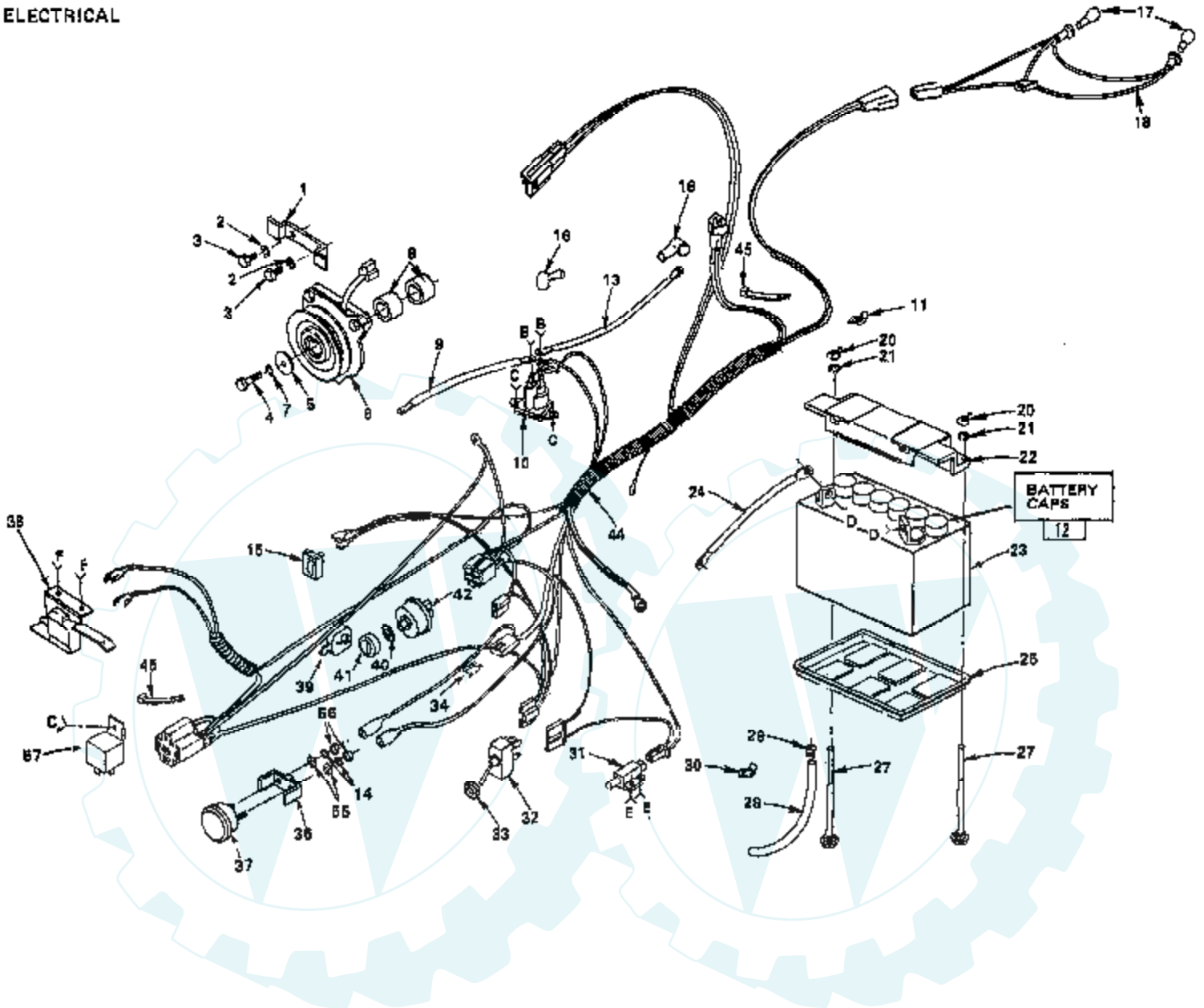
## ELECTRICAL



Ref #	Part Number	Qty	Description
1	121537X		SUB= 123899X
2	74760412		BOLT LT
3	10040400		LOCKWASHER
4	19091016		WASHER
5	121264X		"CAP,BATTERY "
6	73220400		SUB= 50675
7	7697J		"DRAIN TU T, BATT"
8	7603J		"TRAY T, BATTERY"
9	109596X		HOSE CLAMP T
10	72240460		BOLT
11	102476X		SUB= 150109
12	123198X		SUB= 146525
19	10090400		SUB= 10040400
20	73350400		NUT
21	127441X		SUB= 136850
22	4152J		HEADLAMP BULB
23	11150400		LOCKWASHER
24	4799J		"CABLE T, BATTERY"
25	4206J		CABLE-BATTERY T
26	108824X		FUSE HYT
28	4207J		CABLE T
29	121305X		SWITCH SEAT
30	140399		SUB= 163088
31	140400		SUB= 145774
32	141226		COVER KEY SWITCH
33	140401		KEY MLD GEN DELTA
34	110712X		SWITCH LT
37	109553X		SWITCH INTERLOCKT
40	141882		HARNESS IGN GT
41	17720408		SCREW
42	131563		SUB= 154336
43	138406		SUB= 146154
45	122822X		AMMETER
50	140404		SUB= 154959
51	140405		RING RETAIN PTO
53	71031008		SCREW
54	73951000		"NUT,KEPS"

**ROPER QT TRACTOR—MODEL NUMBERS GTK181AR AND GTK181AT**

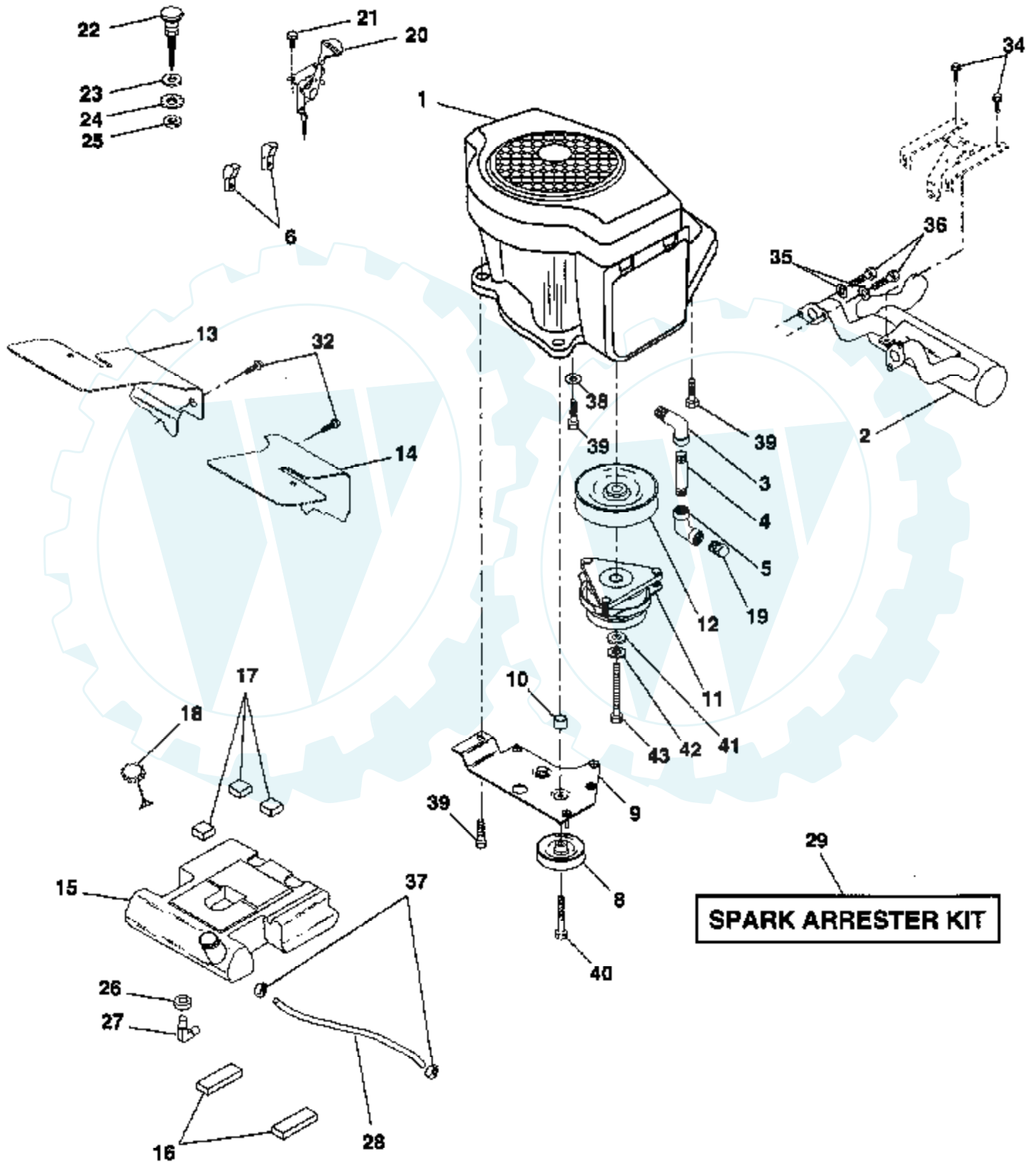
**ELECTRICAL**



Ref #	Part Number	Qty	Description
1	110882X		STOP T
2	10040600		LOCKWASHER
3	74780612		BOLT
4	74610720		BOLT
5	108252X		WASHER T
6	109550X		CLUTCH.ELECTRIC.T
7	10040700		LOCKWASHER
8	106367X		SPACER-CLUTCH GT
9	4206J		CABLE-BATTERY T
10	109081X		SUB= 146154
11	4171R		CLIP T
12	120353X		BATTERY CAPS
13	5115J		SUB= 5114J
14	10101000		SUB= 10071000
15	110712X		SWITCH LT
16	719J		SUB= 154336
17	7662J		SUB= 4152J
18	110859X		HARNESS T
20	73490400		SUB= 146525
21	11030400		LOCKWASHER GT
22	102476X		SUB= 150109
23	227J		SUB= 123899X
24	4207J		CABLE T
26	7603J		"TRAY T, BATTERY"
27	72240460		BOLT
28	100541K		SUB= 7697J
29	109596X		HOSE CLAMP T
30	100207K		CLIP GTV
31	104445X		SWITCH-INTER. GT
32	4021J		SWITCH.PTO.T
33	4022J		HEX NUT T
34	6347R		FUSE-30 AMP
36	6009J		SUB= 532131708
37	9433R		AMMETER T
38	121064X		SWITCH T
39	109434X		KEY MOLDED
40	109788X		SUB= 124211X
41	109787X		SUB= 147626
42	4406R		SUB= STD365402
44	110939X		HARNESS T
45	7192J		WIRE TIE
55	19070818		WASHER
56	73911000		NUT
57	109748X		RELAY ASSY T
	110546X		MANUAL T
	101547X		OWNER'S MANUAL (FRENCH)
	101539X		SHEET INSTR LT
	101572X		SHEET-INSTRUCTION (FRENCH)

# 20 HP 50" TRACTOR - - MODEL NUMBER AYP8228A49

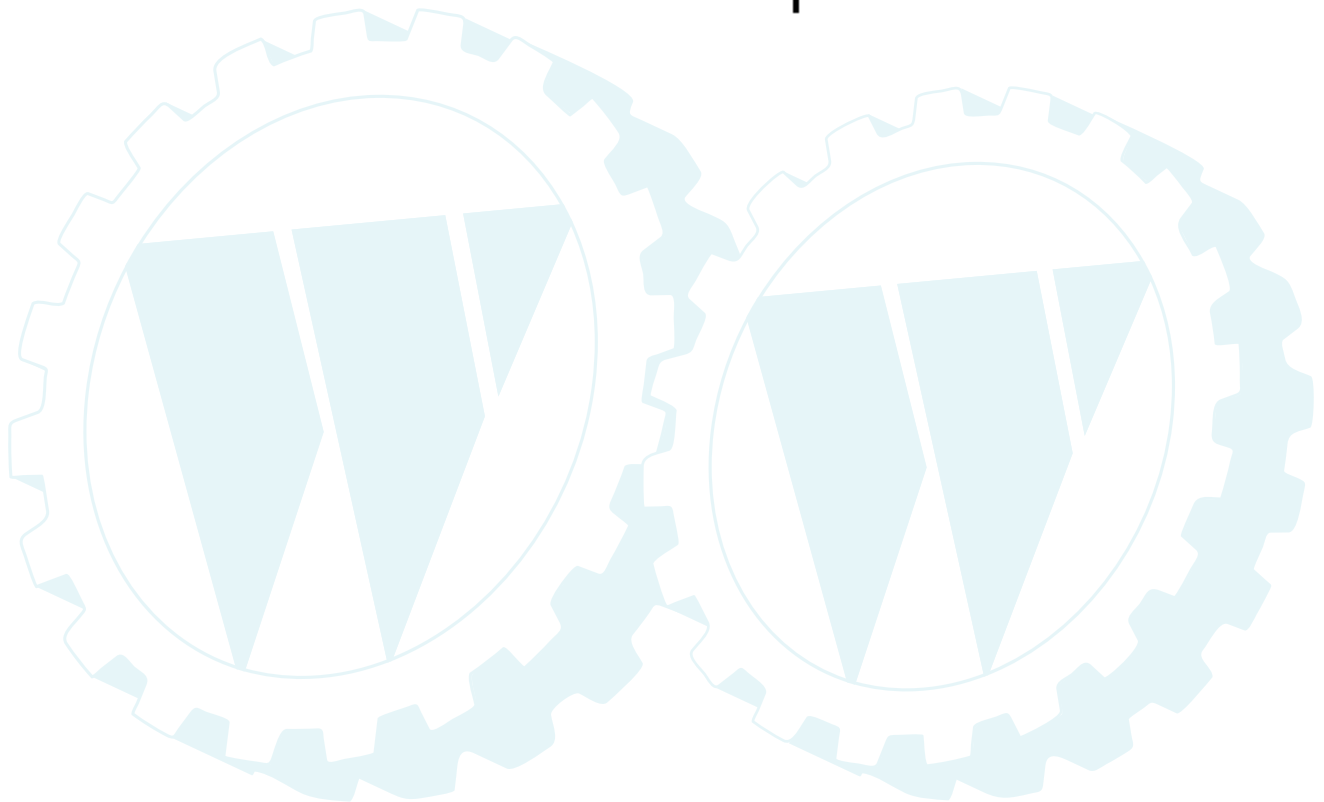
## ENGINE



Ref #	Part Number	Qty	Description
1			REFER TO IMAGE
2	144110		MUFFLER.KOH.VCT.
3	13240300		STREET ELBOW LT
4	13280328		PIPE NIPPLE
5	13200300		ELBOW
6	138129		CLAMP.TUBE.DBL.EN
8	121361X		SUB= 139123
9	138559		SUB= 150828
10	105432X		BUSHING.
11	137140		SUB= 142600
12	136907		PULLEY.ENGINE.VGT
13	138486		BAFFLE.AIR.LH.K
14	138487		SUB= 154574
15	141069		SUB= 151346
16	109227X		PAD IDLER TI
17	106082X		PAD-SPACER LT
18	140527		CAP ASM FUEL
19	13290300		PLUG T
20	142168		CONTROL THTL 37
21	17720410		SCREW LT
22	138672		"CONTROL.CHOKE.51""
23	19131316		WASHER
24	11050600		LOCKWASHER
25	73610600		SUB= 7810H
26	3645J		BUSHING OUTLET T
27	139277		STEM.TANK.FUEL
28	7834R		SUB= 8542R
29	132920		SPARK ARREST KIT
32	17490508		SCREW LT
34	17720408		SCREW
35	10040500		LOCKWASHER
36	74570512		SCREW
37	123487X		HOSE CLAMP
38	11050600		LOCKWASHER
39	17490624		SCREW LT
40	17490652		SCREW.3/8-16X3.25
41	126197X		WASHER
42	10040700		LOCKWASHER
43	71170768		SUB= 150280

**20 HP 50" TRACTOR - - MODEL NUMBER AYP8228A49**  
**KOHLER ENGINE - MODEL NUMBER MV20S, TYPE NUMBER 57528**

**EXHAUST**



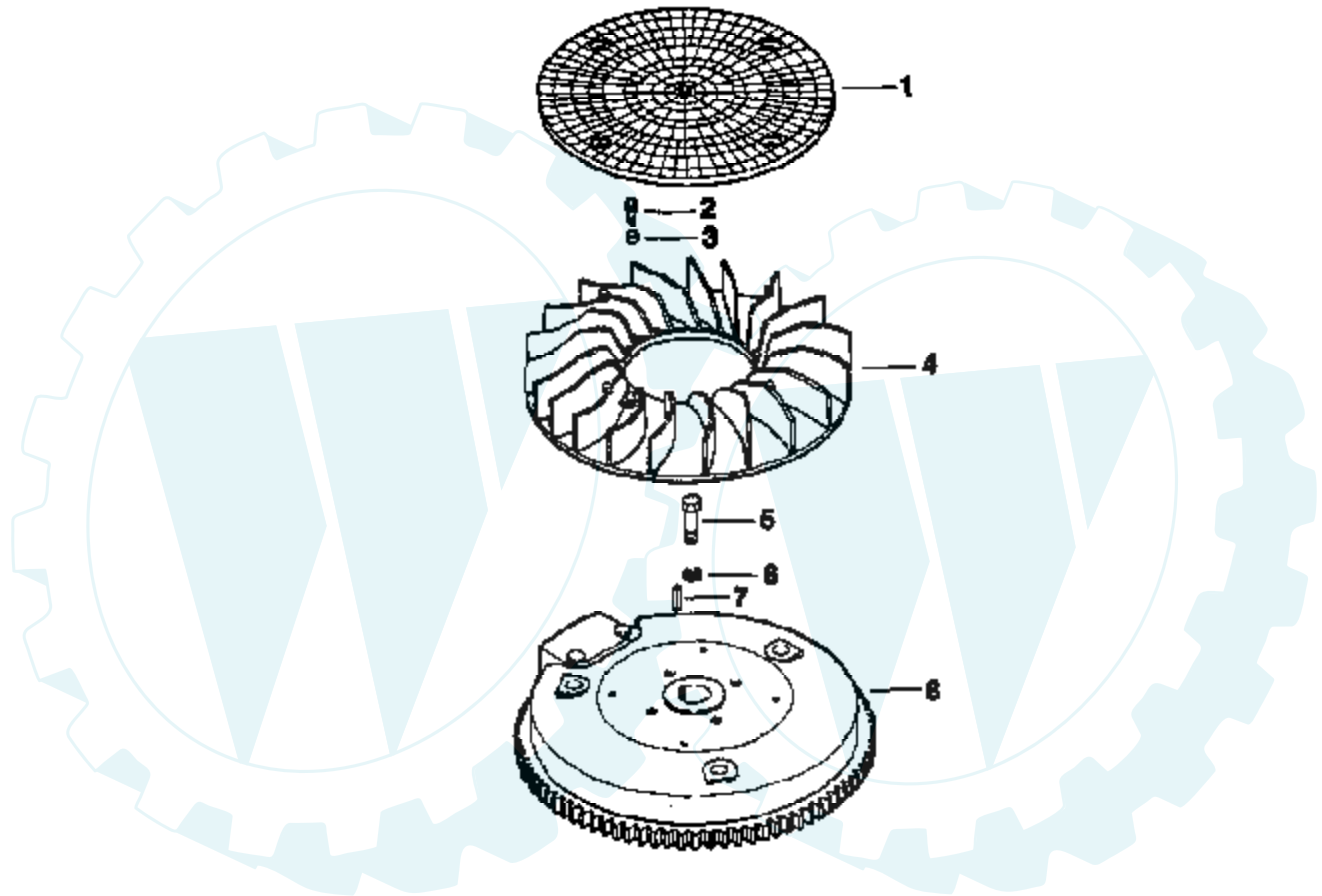
Ref #	Part Number	Qty	Description
1	52-041-14		GASKET, EXHAUST





**20 HP 50" TRACTOR - - MODEL NUMBER AYP8228A49**  
**KOHLER ENGINE - MODEL NUMBER MV20S, TYPE NUMBER 57528**

**FLYWHEEL**

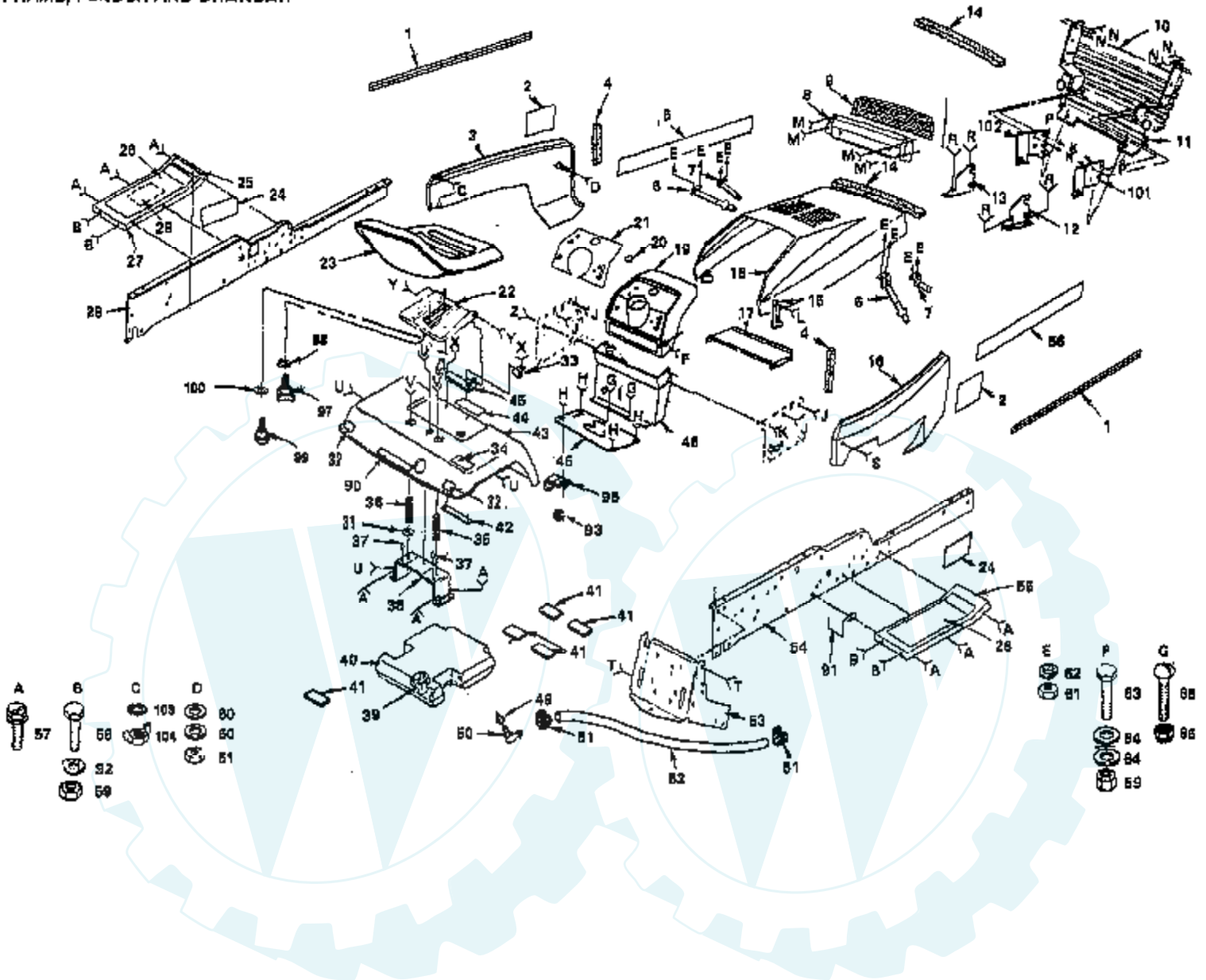


Ref #	Part Number	Qty	Description
1	25-162-01		SCREEN
2	25-086-21		SCREW, HEX 1/4-20 X 5/8
3	25-112-04		SPACER
4	25-157-01		FAN
5	25-086-24		SCREW, 3/8-24X1-1/4
6	52-468-15		WASHER
7	X-286-17		KEY
8	52-025-36		FLYWHEEL



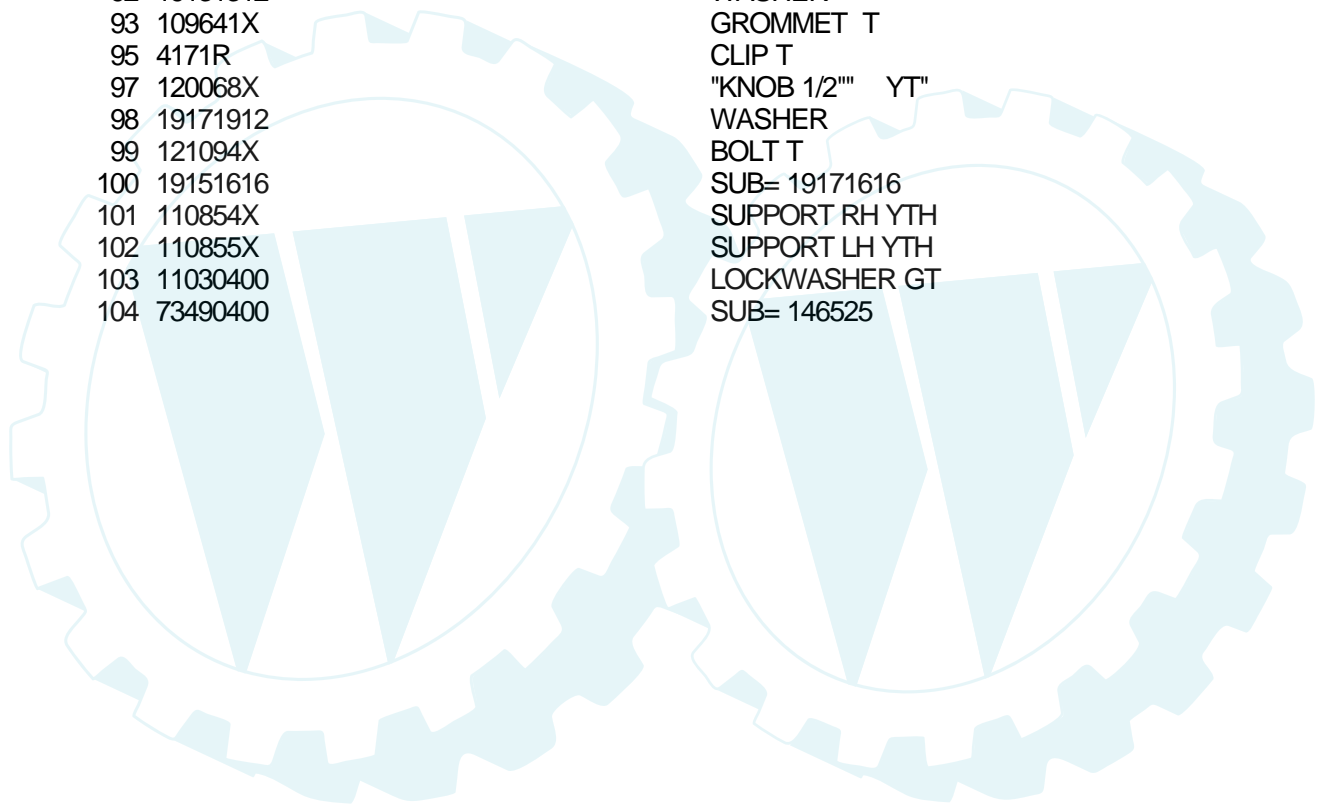
**ROPER GT TRACTOR—MODEL NUMBERS GTK181AR AND GTK181AT**

**FRAME, FENDER AND DRAWBAR**



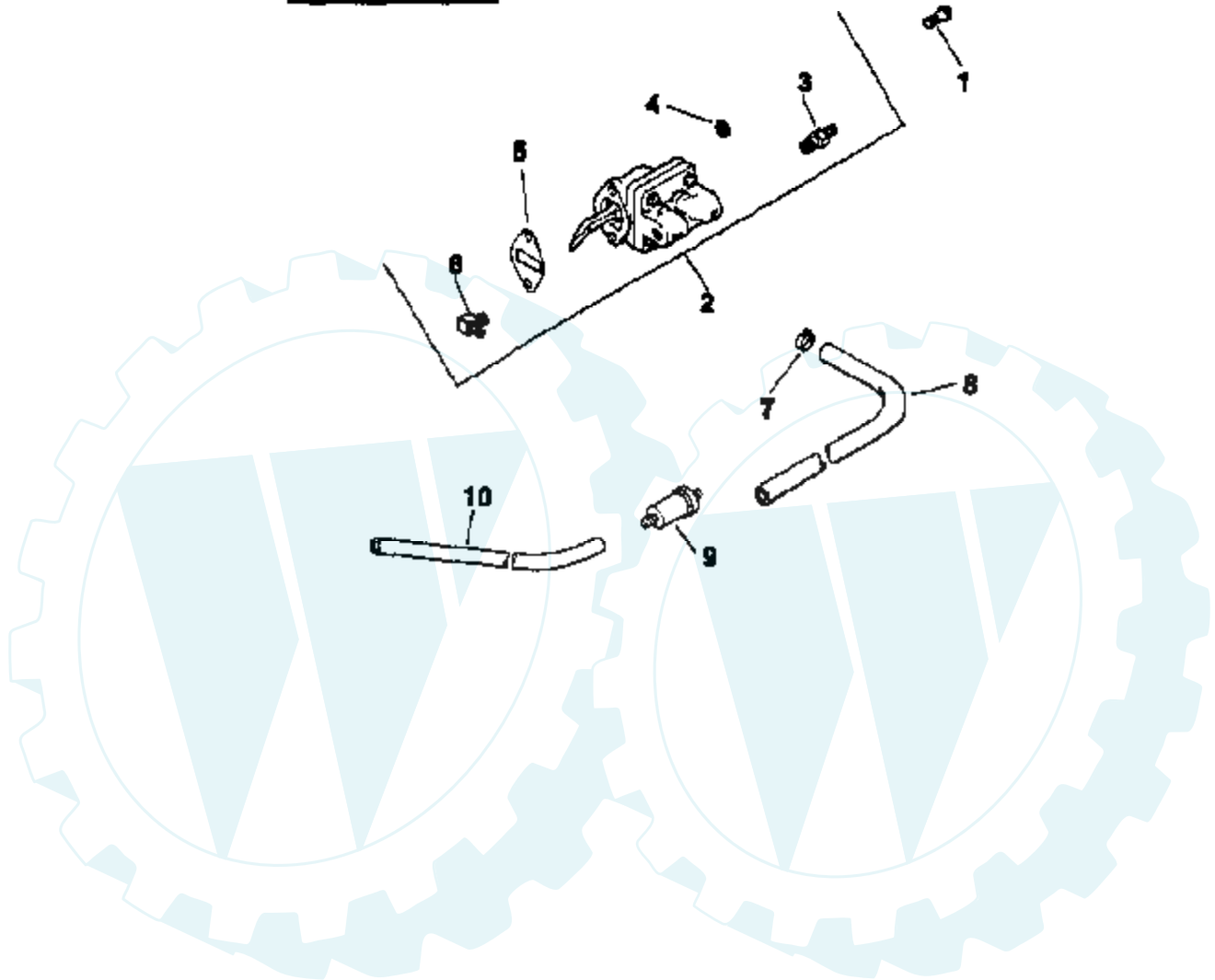
Ref #	Part Number	Qty	Description
1	104646X		NLA
2	104639X		NLA
3	108372X388		SUB= 150302X505
4	106088X		FOAM STRIP T
5	104643X		NLA
6	106784X		SUB= 155013
7	104618X		SUB= 155013
8	104613X		SUB= 147717
9	106395X		LENS LT
10	104628X		GRILL GT
11	105419X388		NLA
12	110853X		SUPPORT RH YTH
13	110852X		SUPPORT LH YTH
14	109458X		FOAM STRIP T
15	109808X		HOOD LATCH T
16	108371X388		SUB= 140679X505
17	7985X		SUPPORT-BATTERY
18	108370X388		SUB= 150301X505
19	106796X		DASHBOARD T
20	8022J		PLUG-DASH T
21	110790X		NLA
21	110791X		DECAL-DASHBOARD (GTK181AT ONLY)
22	121069X		SUB= 155925
23	110840X		SUB= 140121
24	104640X		NLA
25	4900J		DECAL T
25	101892X		DECAL T
26	109864X		SUB= 108256X
27	105465X388		FOOTREST LH YT
28	106868X		DECAL T
29	110893X		SUB= 151630
31	120609X		SHIM WASHER T
32	106202X		REFLECTOR-TAIL YT
33	2751R		CLIP T
34	7178J		DECAL-CAUTION
34	101893X		NLA
35	121067X		SPRING-COMPRESSION R.H.
36	121068X		SPRING T
37	105531X		NUT-PUSH YT
38	105509X		SUB= 137113
39	109462X		SUB= 158990
40	106020X		SUB= 151346
41	106082X		PAD-SPACER LT
42	105511X		SUB= 140675
43	109593X388		SUB= 121642X417
44	106974X		SUB= 133796
44	108658X		SUB= 120822X
45	105513X		SUB= 140551
46	106042X012		COVER GATE SHIFT
46	106042X013		CVR SHAFT GATE
48	104608X		DASH ASSEMBLY
49	3645J		BUSHING OUTLET T
50	8710J		FUEL TANK STEM GT
51	6999R		SUB= 123487X
52	7834R		SUB= 8542R
53	7982J		SUB= 140506
54	110892X		SUB= 150383
55	105464X388		FOOTREST-R.H.

Ref #	Part Number	Qty	Description
56	104644X		NLA
57	17490612		SCREW
58	74760612		SUB= 74780612
59	73680600		SUB= 73690600
60	109091216		WASHER 9/32 X 3/4 X 16 GA..
61	73220400		SUB= 50675
62	10090400		SUB= 10040400
63	74760616		BOLT
64	19131316		WASHER
65	74180512		SCREW
66	73680500		SUB= 73690500
90	104810X		NLA
91	105500X		BELT RETAINER GT
92	19131312		WASHER
93	109641X		GROMMET T
95	4171R		CLIP T
97	120068X		"KNOB 1/2" YT"
98	19171912		WASHER
99	121094X		BOLT T
100	19151616		SUB= 19171616
101	110854X		SUPPORT RH YTH
102	110855X		SUPPORT LH YTH
103	11030400		LOCKWASHER GT
104	73490400		SUB= 146525



**20 HP 50" TRACTOR - - MODEL NUMBER AYP8228A49**  
**KOHLER ENGINE - MODEL NUMBER MV20S, TYPE NUMBER 57528**

**FUEL PUMP**

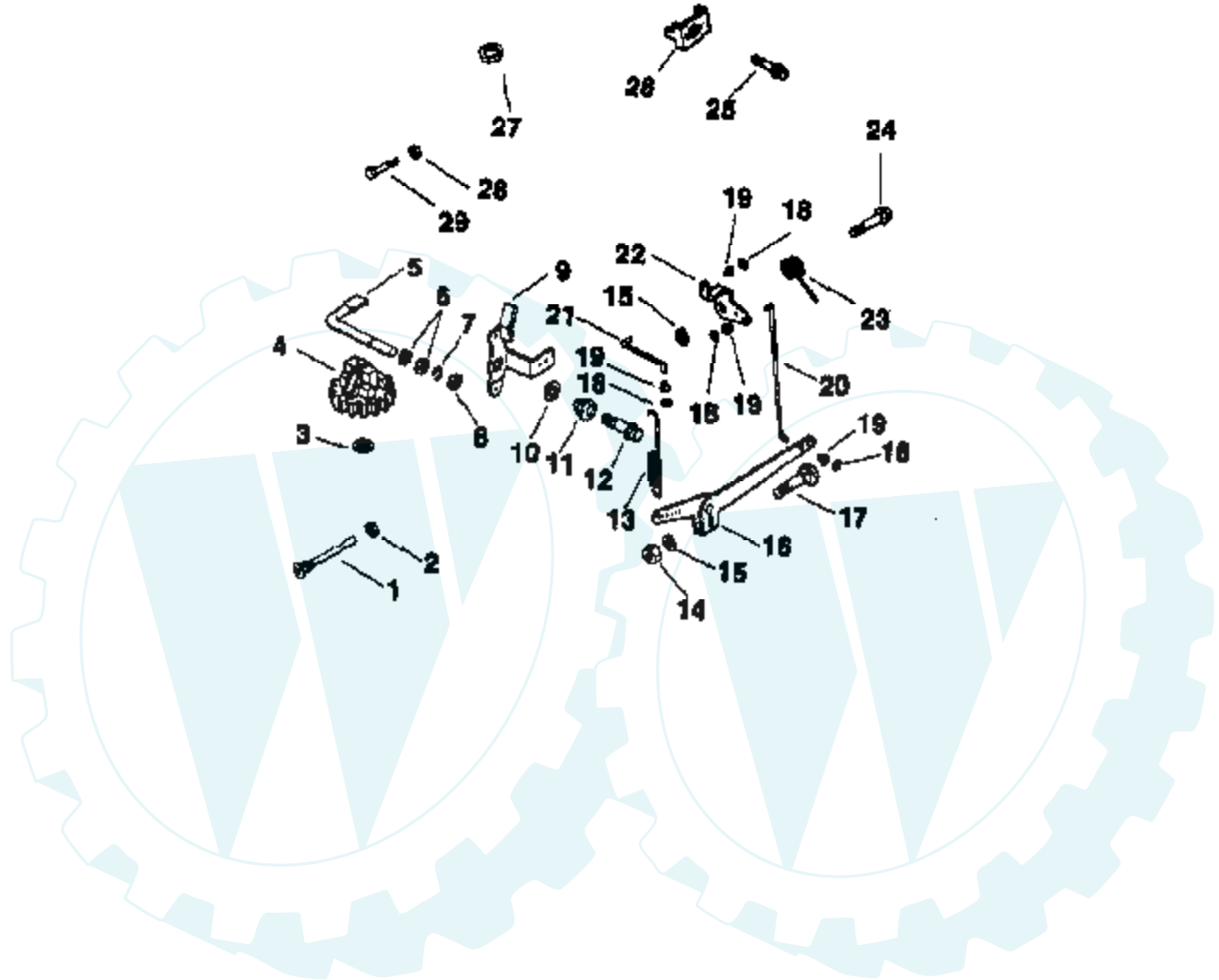


Ref #	Part Number	Qty	Description
1	47-086-08		SCREW
2	52-559-01		PUMP
3	X-380-1		CONNECTOR, HOSE
4	X-25-63		WASHER, PLAIN 1/4
5	25-041-09		GASKET
6	25-155-02		CONNECTOR
7	X-426-9		CLAMP, HOSE
8	52-353-18		LINE, FUEL 8"
9	25-050-03		FILTER FUEL
10	15-353-04		LINE FUEL 11-1/2"



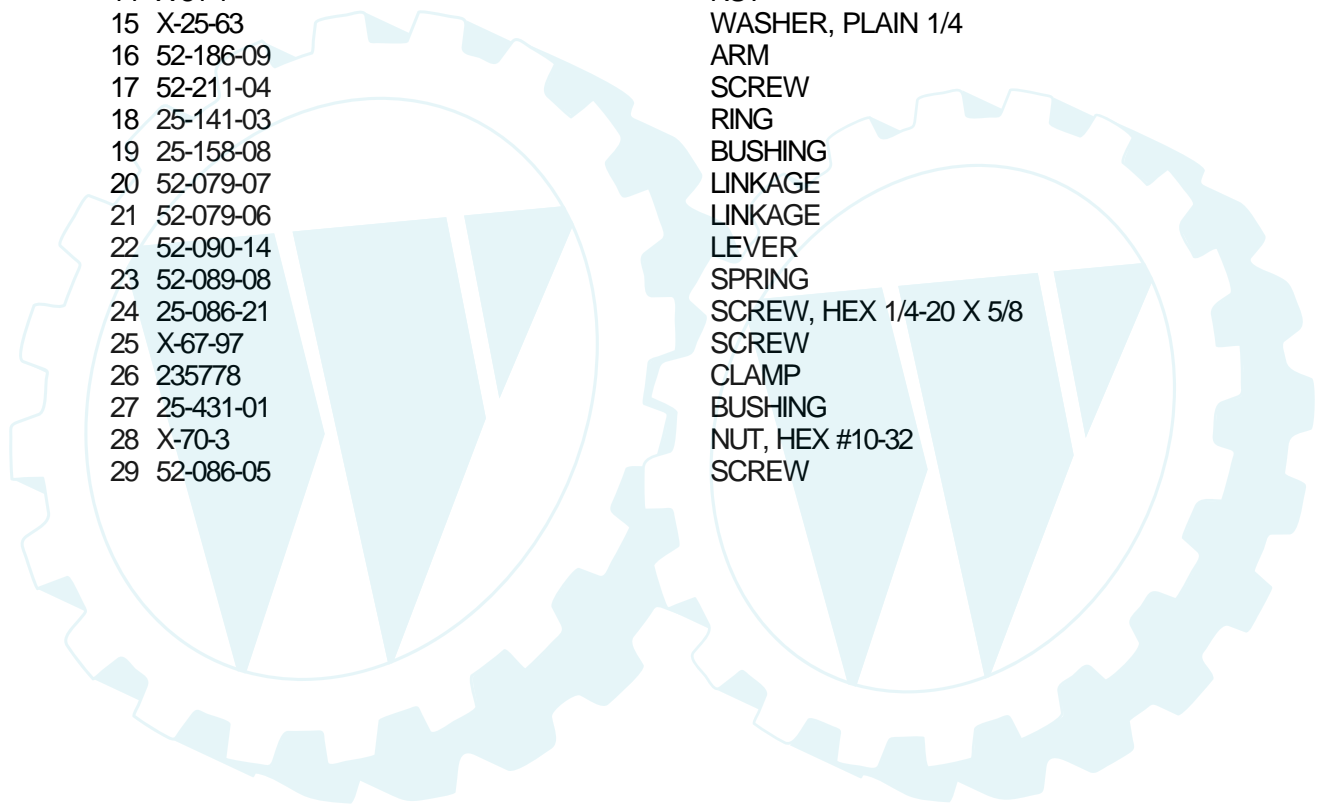
**20 HP 50" TRACTOR - - MODEL NUMBER AYP8228A49**  
**KOHLER ENGINE - MODEL NUMBER MV20S, TYPE NUMBER 57528**

**GOVERNOR**



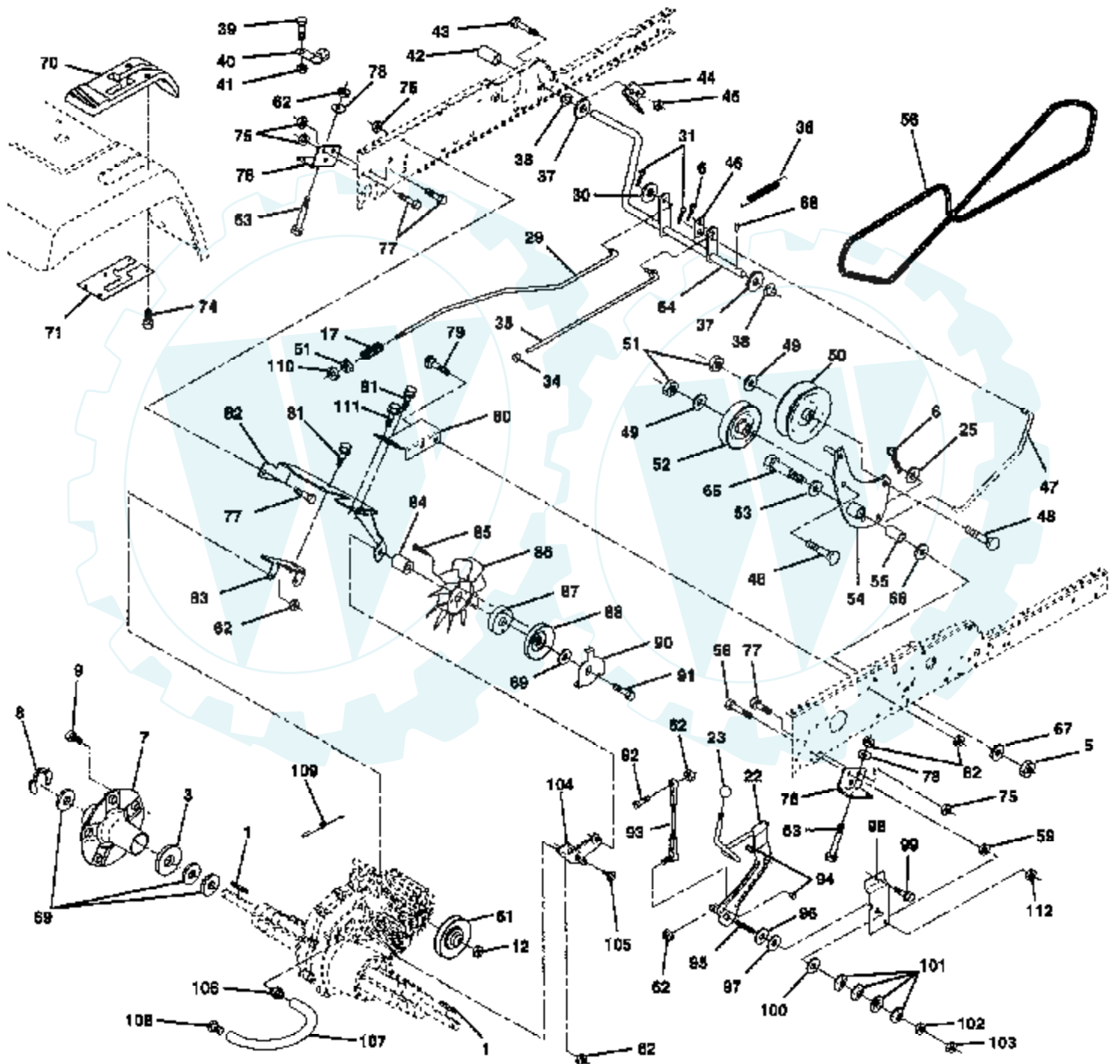


Ref #	Part Number	Qty	Description
1	231355		PIN
2	X-25-12		WASHER
3	237022		WASHER
4	A-235743-S		KIT
5	52-078-04		SHAFT
6	X-25-102		WASHER
7	X-269-28		RETAINER
8	X-25-72		WASHER
9	52-090-23		LEVER
10	277341		WASHER
11	52-158-07		BUSHING
12	25-086-15		SCREW, 1/4-20 X 1
13	52-089-07		SPRING
14	X-81-1		NUT
15	X-25-63		WASHER, PLAIN 1/4
16	52-186-09		ARM
17	52-211-04		SCREW
18	25-141-03		RING
19	25-158-08		BUSHING
20	52-079-07		LINKAGE
21	52-079-06		LINKAGE
22	52-090-14		LEVER
23	52-089-08		SPRING
24	25-086-21		SCREW, HEX 1/4-20 X 5/8
25	X-67-97		SCREW
26	235778		CLAMP
27	25-431-01		BUSHING
28	X-70-3		NUT, HEX #10-32
29	52-086-05		SCREW



## 20 HP 50" TRACTOR - - MODEL NUMBER AYP8228A49

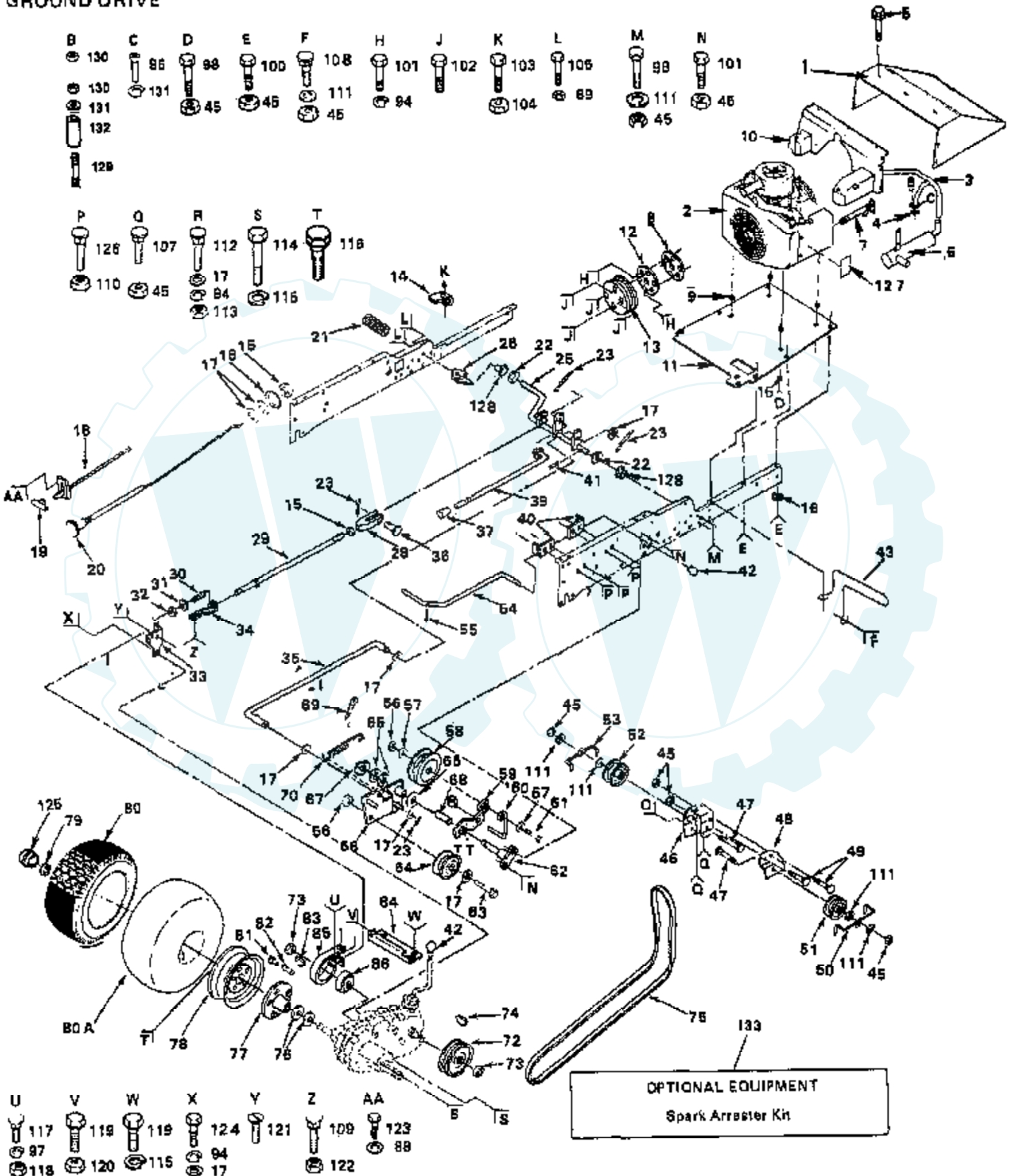
### GROUND DRIVE



Ref #	Part Number	Qty	Description
1	7070E		KEY 1/4 X 2.5
3	7563R		WASHER T
5	73680600		SUB= 73690600
6	76020412		COTTER PIN
7	140507		HUB WHEEL ASM
8	12000053		E RING HYT
9	140080		BOLT.HUB.WHL.REAR
12	73940800		SUB= 73360800
17	140921		SPRING ROD BRAKE
22	140498		SHAFT ARM ASM
23	121274X		KNOB.DUCKHEAD.1/2
25	19131316		WASHER
29	140494		ROD BRAKE
30	76020312		SUB= 3145
34	124236X		CAP
35	137648		ROD BRAKE PART GT
36	138364		SUB= 149412
37	121749X		WASHER
38	110895X		NYLINER T
39	74321016		SCREW
40	5304J		ACT-SWITCH T
41	73631000		SUB= 69180
42	8883R		PEDAL COVER T
43	74760412		BOLT LT
44	104601X		BRKT SWITCH GT
45	73800400		NUT
46	121358X		RETAINER SPRING
47	138228		ROD.CLUTCH
48	72110614		BOLT
49	19131413		WASHER
50	131494		FLAT IDLER PULLEY
51	73800600		NUT
52	139123		PULLEY.IDLER.V.GR
53	207J		WASHER T
54	138390		ARM.ASM.IDLER.CLU
55	105706X		"LY, BEARING"
56	140218		BELT-V 84.5
58	74760724		BOLT
59	73220700		NUT
61	140488		PULLEY TRANSAXLE
62	73800500		NUT
63	74780548		BOLT FIN HEX 5/16
64	137649		SUB= 154752
65	67609		AXLE BOLT
66	140296		WASHER.HARD.BLADE
67	19131312		WASHER

### ROPER GT TRACTOR—MODEL NUMBERS GTK181AR AND GTK181AT

#### GROUND DRIVE



Ref #	Part Number	Qty	Description
1	120368X		NLA
2	M18S		ENGINE - 18 H.P. SPEC. #24573
3	110891X		EXHAUST TUBE T
4	120237X		GASKET T
5	17670407		SUB= 17720408
6	120829X		SUB= 127881
7	9767H		DRAIN VALVE
8	110947X		CHAFF GUARD T
9	110868X		SPACER
10			CHECK WITH SUPPLIER
11	110867X		"ENG. T, BASE"
12	104577X		ADAPTER T
13	120331X		PULLEY GT
14	5304J		ACT-SWITCH T
15	73610600		SUB= 7810H
16	11050600		LOCKWASHER
17	19131316		WASHER
18	110878X		SUB= 132756
19	61159		KNOB
20	110879X		SUB= 532132780
21	8883R		PEDAL COVER T
22	19252016		SUB= 121749X
23	76020312		SUB= 3145
25	104375X		SHAFT ASSY GT
26	104601X		BRKT SWITCH GT
28	100604K		YOKE GTV
29	5308J		BRAKE ROD T
30	7241J		SPRING T
31	19131614		WASHER
32	73530600		SUB= 7810H
33	677A637		BRAKE BRKT ASSY T
34	7229J		GUIDE ROD T
35	101356L		ROD CLUTCH GTV
36	5102J		CLEVIS PIN T
37	71673		PLUNGER CAP T
39	109767X		SUB= 136284
40	105598X		ROD BRACKET GT
41	5142H		ROLL PIN STD
42	100196K		SUB= 106932X
43	108885X		GUARD MUFFLER HYT
45	73680600		SUB= 73690600
46	121063X		SUB= 139995
47	72110616		BOLT
48	121065X		BRACKET T
49	72140606		BOLT
50	120157X		BELT GUARD T
51	102403X		IDLER-FLAT T
52	101344L		PULLEY V IDLR GTV
53	106023X		BELT GUARD GT
54	101345M		ROD SHIFT GTV
55	76020616		SUB= 76020624
56	73930600		LOCKNUT
57	19131413		WASHER
58	104360X		SUB= 131494
59	101347L		BRACKET GTV
60	105597X		BELT RETAINER GT
61	74760632		SUB= 74930632
62	101358K		BRACKET ASSY GTV

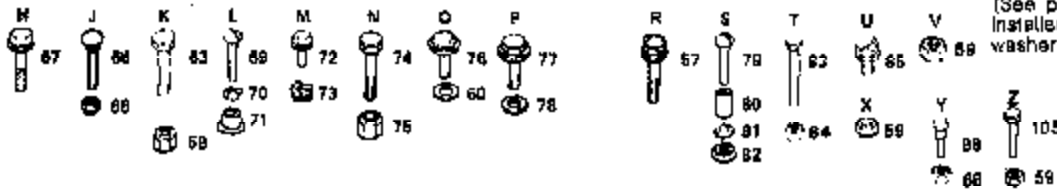
Ref #	Part Number	Qty	Description
63	74760624		SUB= 74930624
64	110484X		IDLER PULLEY T
65	207J		WASHER T
66	105592X		CLUTCH BRACKET GT
67	12000039		KLIP RING
68	105706X		"LY, BEARING"
69	76020816		COTTER PIN
70	101355X		SPRING GTV
72	120332X		PULLEY GT
73	9204H		NUT STD
74	9858M1		KEY
75	110883X		BELT-V.98.5.GD.DV
76	7563R		WASHER T
77	634A692		SUB= 149176X431
78	106277X		SUB= 106277X417
79	12000034		KLIP RING
80	4607R		SUB= 122077X
80A	7154J		TUBE.23X8/10-12
81	59192		VALVE CAP
82	65139		VALVE STEM LT
83	2228M		SUB= 2228M1
84	120404X		SUB= 156404
85	7920J		SUB= 101122M
86	214J		BRAKE DRUM T
87	74780412		SUB= 74780414
88	19091016		WASHER
89	73680400		SUB= 73690400
93	74780612		BOLT
94	10040600		LOCKWASHER
95	19131210		WASHER
96	74570512		SCREW
97	10040400		LOCKWASHER
98	74780620		BOLT
99	11050500		LOCKWASHER.5/16.E
100	74760612		SUB= 74780612
101	74780616		BOLT
102	17190512		SCREW T
103	74321016		SCREW
104	73631000		SUB= 69180
105	74760412		BOLT LT
107	72110606		BOLT
108	72140610		BOLT.3/8-14X1.25
109	72110506		SUB= 72270506
110	73680500		SUB= 73690500
111	19131612		WASHER GT
112	72140608		SUB= 72110608
113	73220600		NUT.HEX.3/8-16UNC
114	74760724		BOLT
115	10040700		LOCKWASHER
116	1304H		SUB= 140080
117	72140405		BOLT T
118	73220400		SUB= 50675
119	74760716		BOLT
120	73680700		NUT GTV
121	74370612		SCREW
122	1685H		SUB= 68478
123	17720408		SCREW
124	74760614		SUB= 74760616

Ref #	Part Number	Qty	Description
125	104758X		CAP-HUB GT
126	72140506		BOLT
127	110848X		NLA
128	110895X		NYLINER T
129	120235X		STUD
130	73520500		NUT - 5/16-18
131	10170500		LOCKWASHER
132	120236X		SPACER
133	120689X		SPARK ARREST KIT

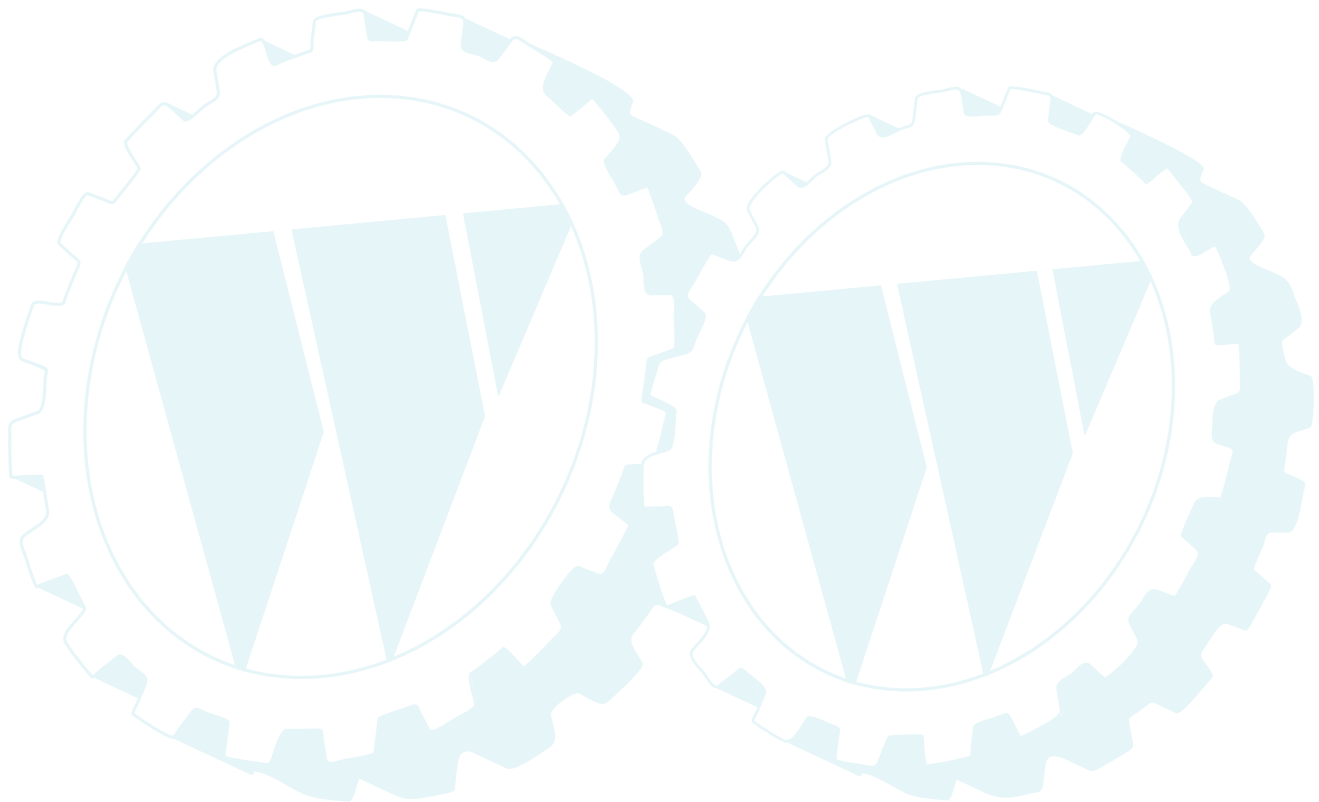


**ROPER QT TRACTOR—MODEL NUMBERS QTK181AR AND QTK181AT**

**FRAME, FENDER AND DRAWBAR**

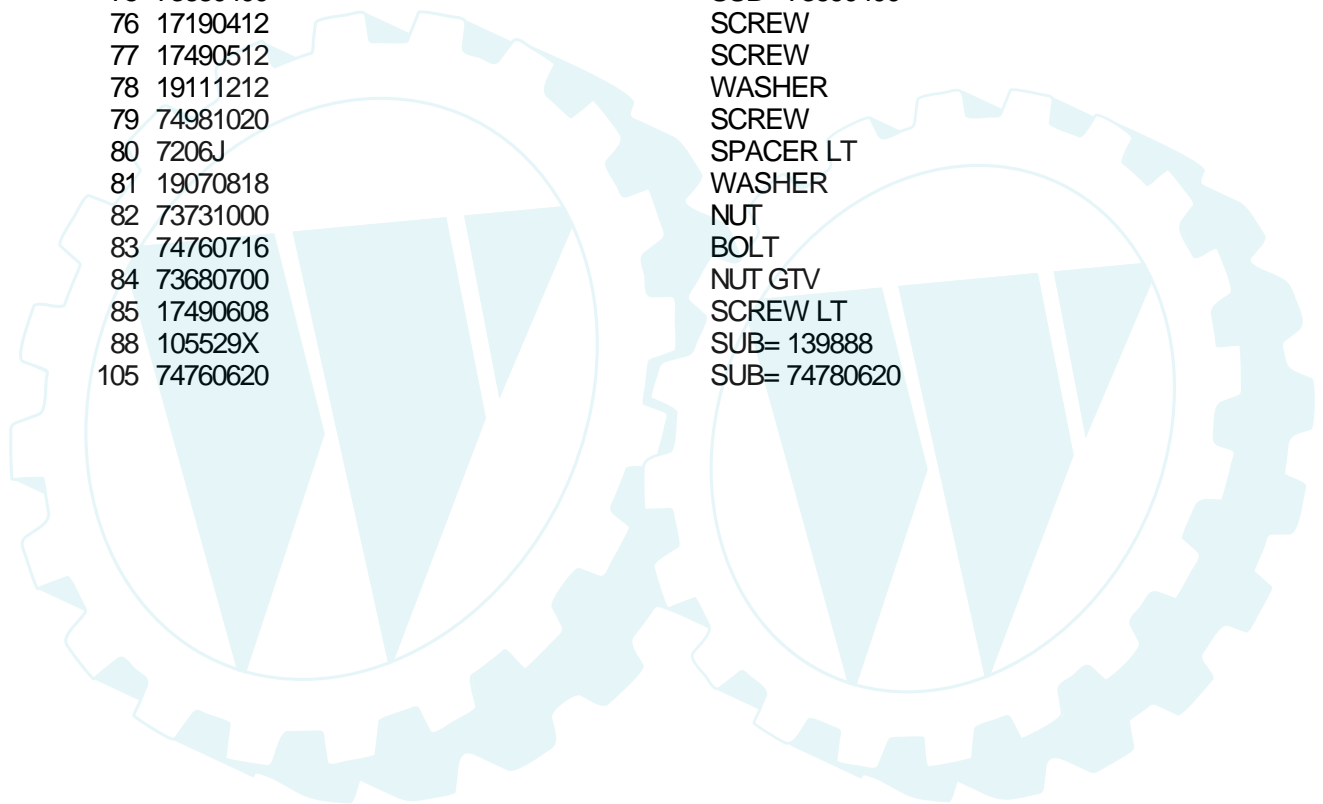


The operation of the operator presence system (See page 4 ) requires that the correct washer be installed under the left hand seat spring only. A similar washer is not used under the right hand spring.



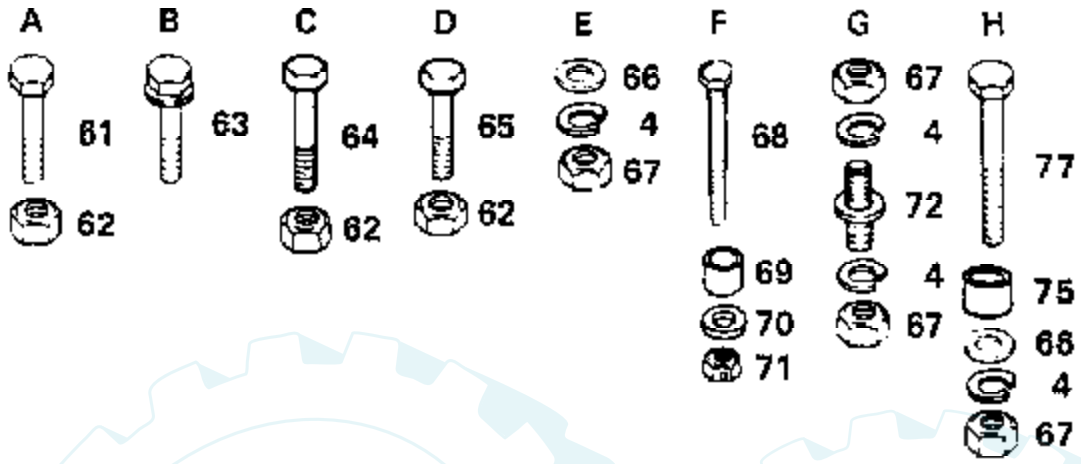


Ref #	Part Number	Qty	Description
57	17490612		SCREW
59	73680600		SUB= 73690600
60	109091216		WASHER 9/32 X 3/4 X 16 GA..
63	74760616		BOLT
66	73680500		SUB= 73690500
67	17240408		SUB= 17720408
68	72140506		BOLT
69	74191008		SCREW
70	10071000		LOCKWASHER
71	2029J		WELDNUT
72	17211010		SCREW LT
73	104755X		""J"" FASTENER LT"
74	7605J		BOLT T
75	73680400		SUB= 73690400
76	17190412		SCREW
77	17490512		SCREW
78	19111212		WASHER
79	74981020		SCREW
80	7206J		SPACER LT
81	19070818		WASHER
82	73731000		NUT
83	74760716		BOLT
84	73680700		NUT GTV
85	17490608		SCREW LT
88	105529X		SUB= 139888
105	74760620		SUB= 74780620

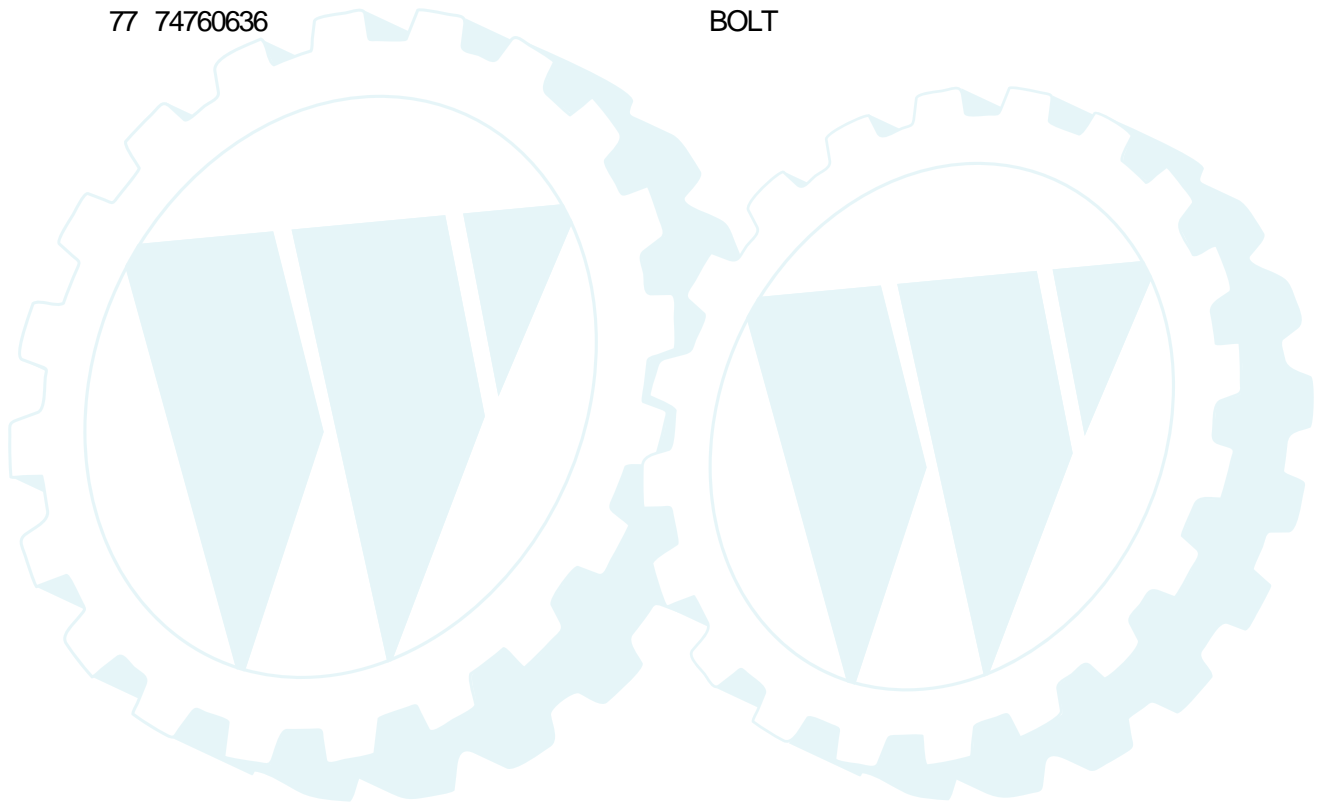


# ROPER GT TRACTOR—MODEL NUMBERS GTK181AR AND GTK181AT

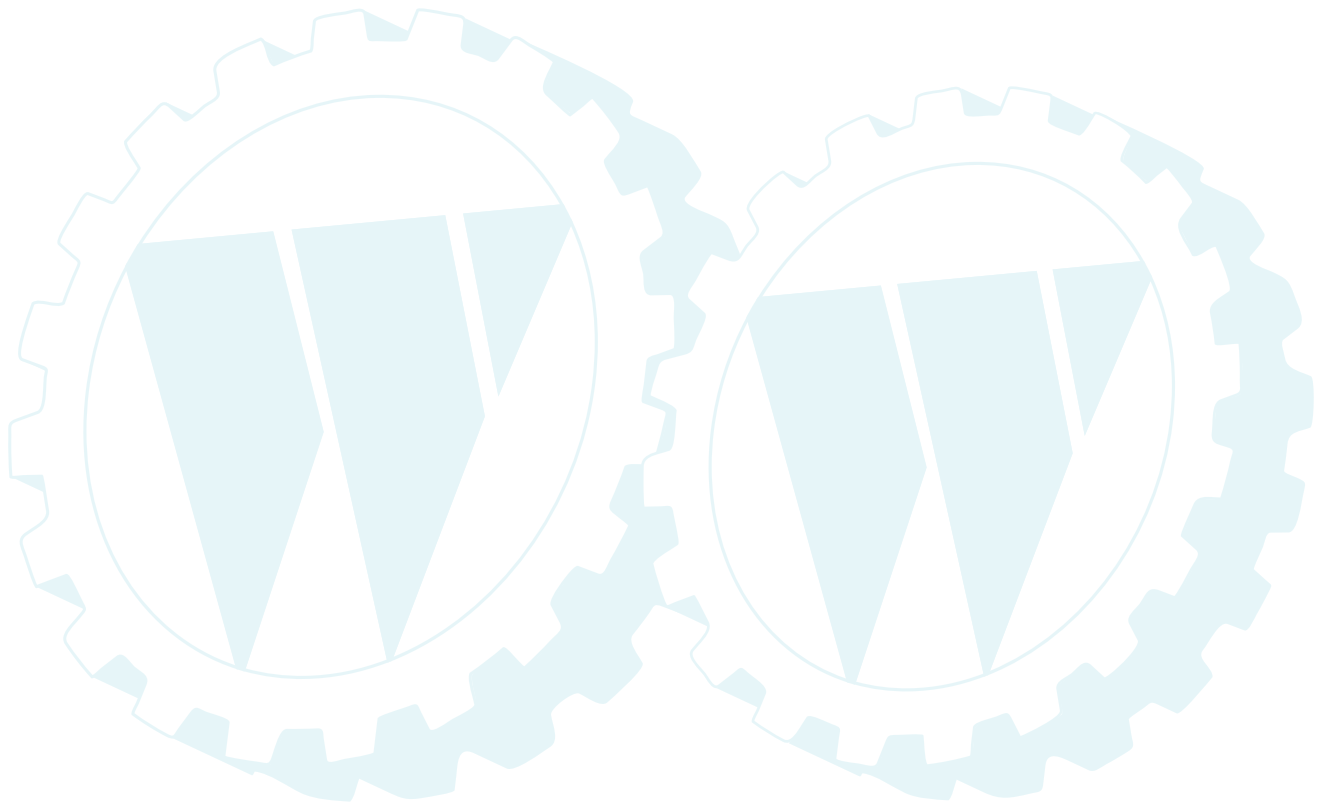
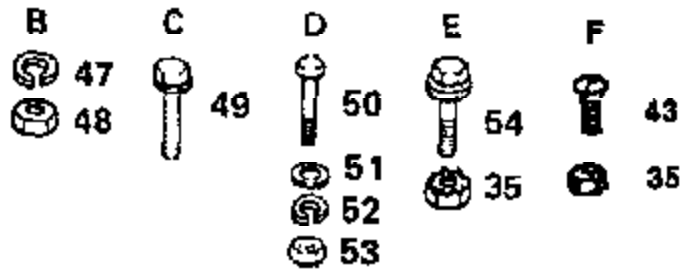
## STEERING



Ref #	Part Number	Qty	Description
4	10040600		LOCKWASHER
61	74760612		SUB= 74780612
62	73680600		SUB= 73690600
63	17490612		SCREW
64	74780616		BOLT
65	74760616		BOLT
66	19131413		WASHER
67	73220600		NUT.HEX.3/8-16UNC
68	74930516		BOLT GT
69	100644K		BUSHING LT
70	19111416		WASHER
71	73680500		SUB= 73690500
72	106615X		SUB= 677A928
75	102933X		SPLIT SPACER YTV
77	74760636		BOLT



# ROPER GT TRACTOR—MODEL NUMBERS GTK181AR AND GTK181AT ELECTRICAL

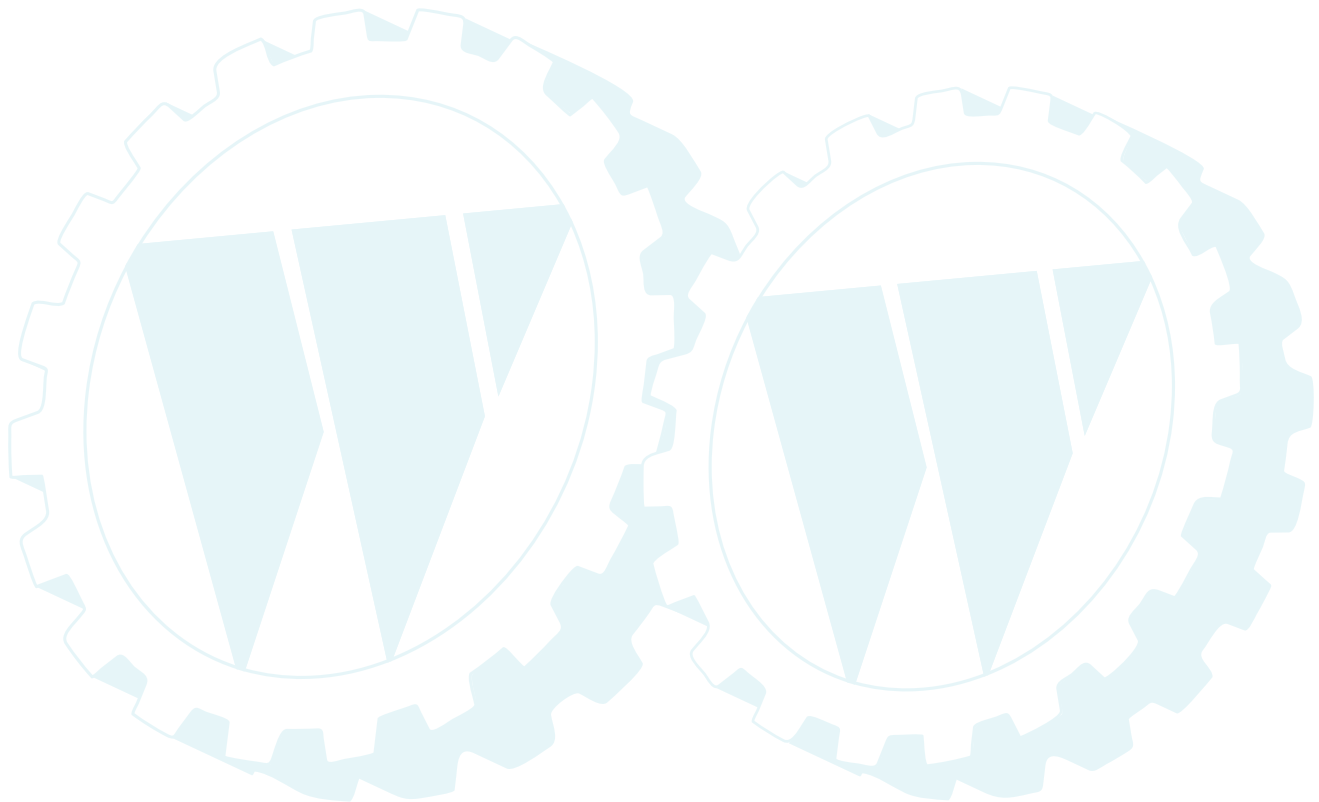
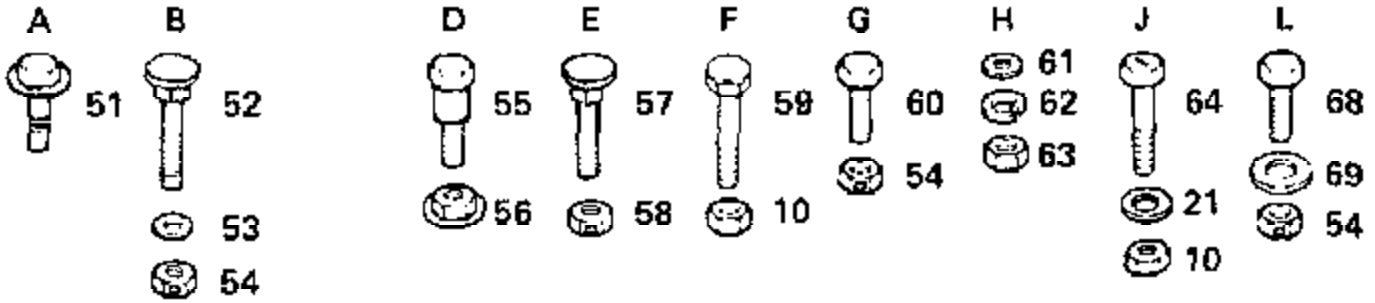


Ref #	Part Number	Qty	Description
35	73951000		"NUT,KEPS"
43	74641008		SUB= 71031008
47	10090400		SUB= 10040400
48	73350400		NUT
49	17190408		SCREW ST
50	74760412		BOLT LT
51	19091016		WASHER
52	10040400		LOCKWASHER
53	73220400		SUB= 50675
54	71031008		SCREW

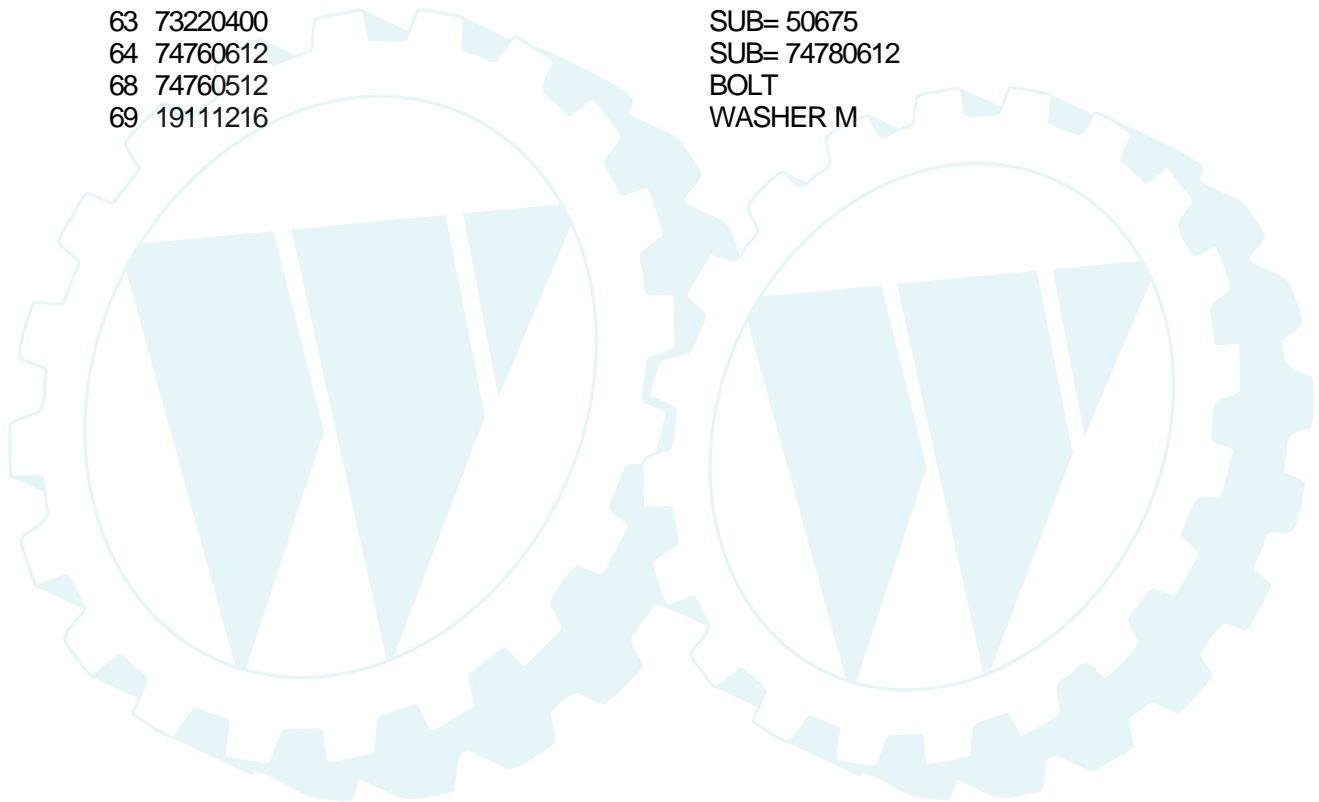


## ROPER GT TRACTOR—MODEL NUMBERS GTK181AR AND GTK181AT

### MOWER LIFT

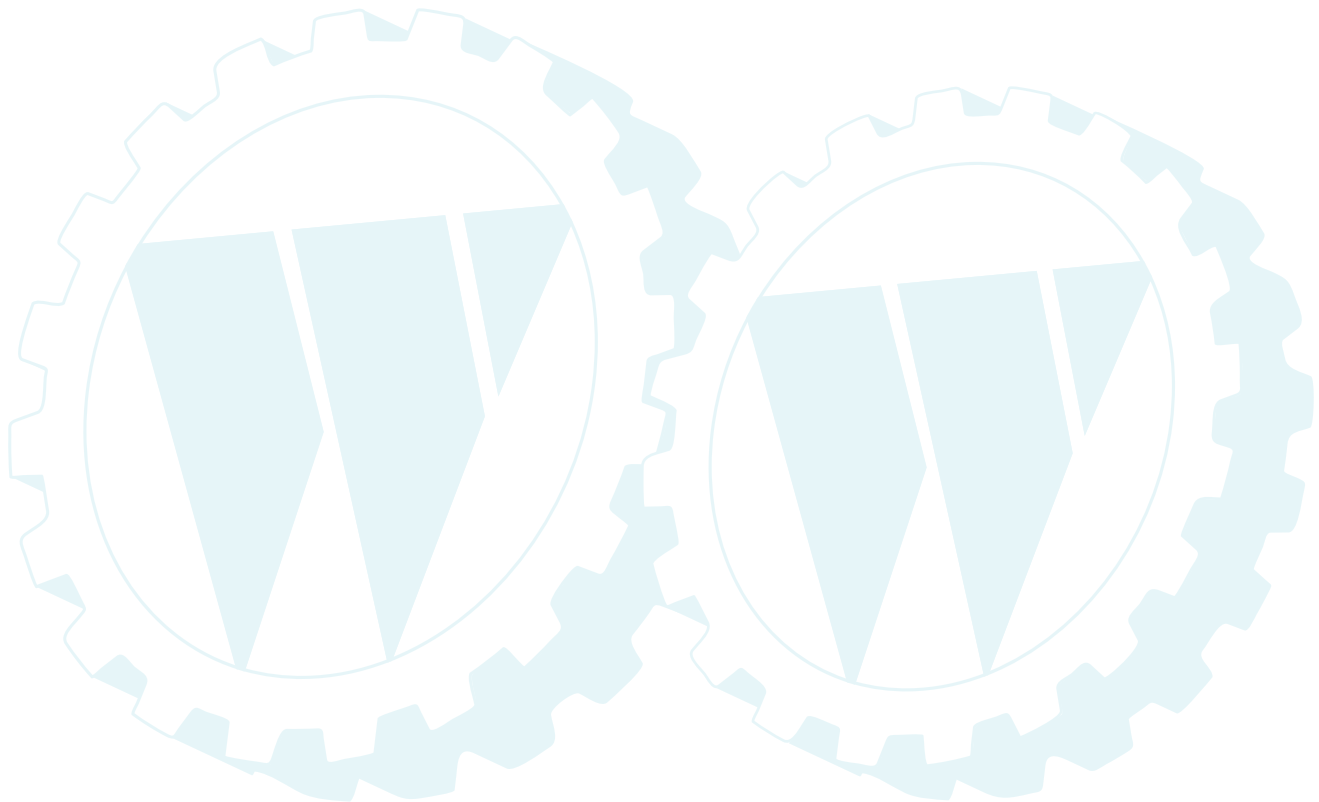
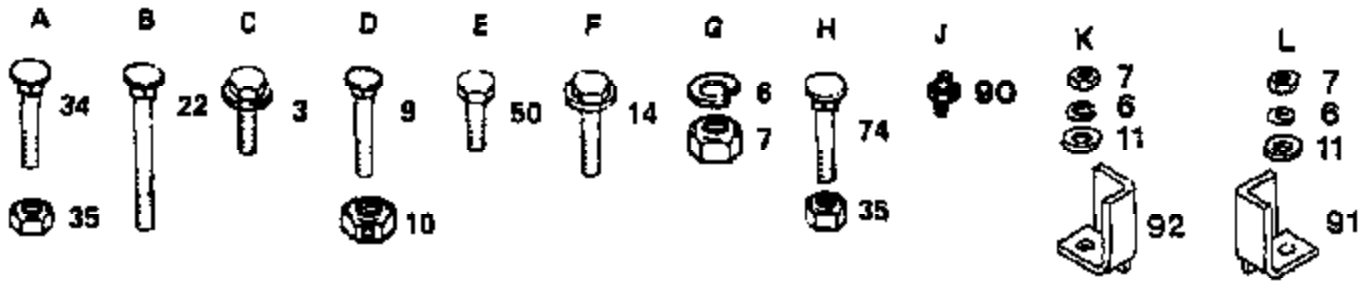


Ref #	Part Number	Qty	Description
10	73680600		SUB= 73690600
21	19131316		WASHER
51	17490608		SCREW LT
52	72140508		BOLT
53	19111610		WASHER
54	73680500		SUB= 73690500
55	7901J		SHOULDER BOLT T
56	73900400		NUT T
57	72140606		BOLT
58	73930600		LOCKNUT
59	74760616		BOLT
60	74350512		BOLT LT
61	19091216		WASHER PM
62	10090400		SUB= 10040400
63	73220400		SUB= 50675
64	74760612		SUB= 74780612
68	74760512		BOLT
69	19111216		WASHER M



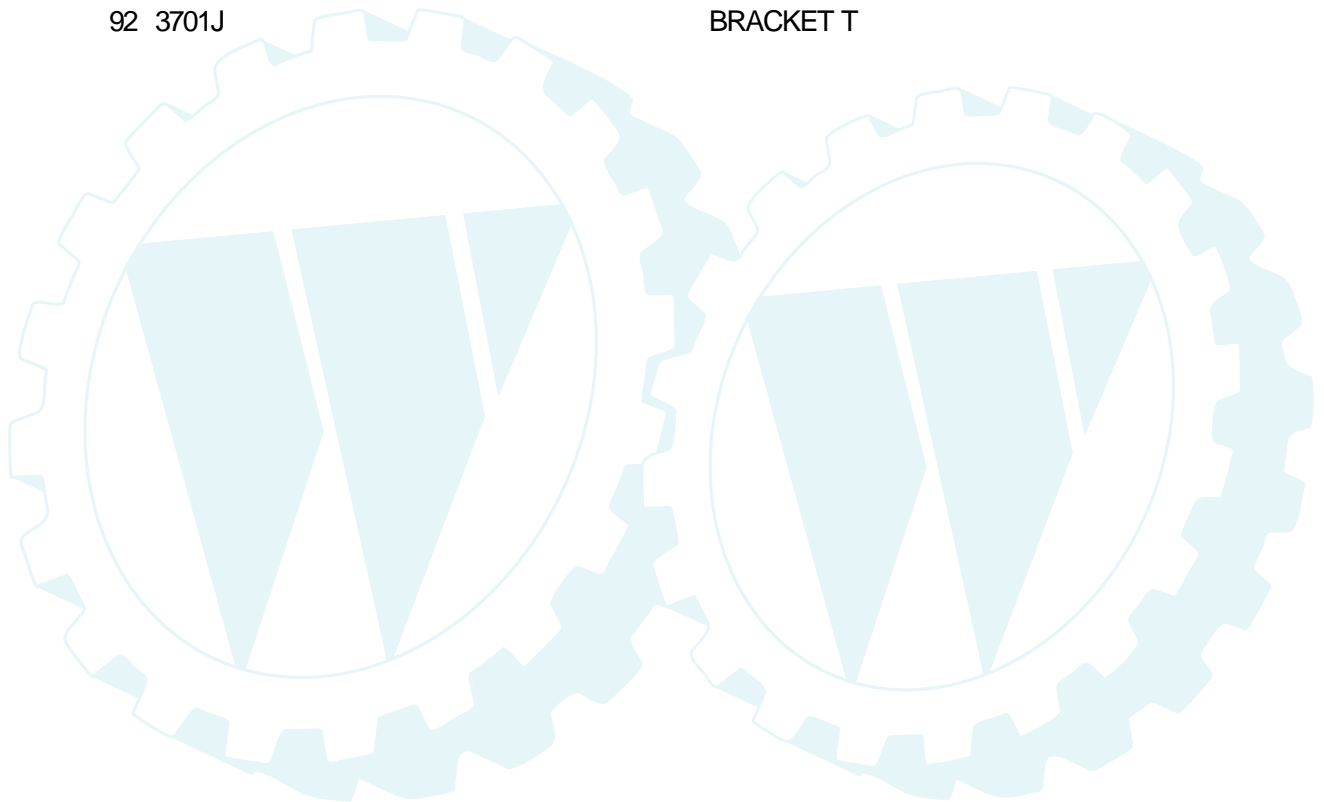
### ROPER GT TRACTOR—MODEL NUMBERS GTK181AR AND GTK181AT

#### MOWER



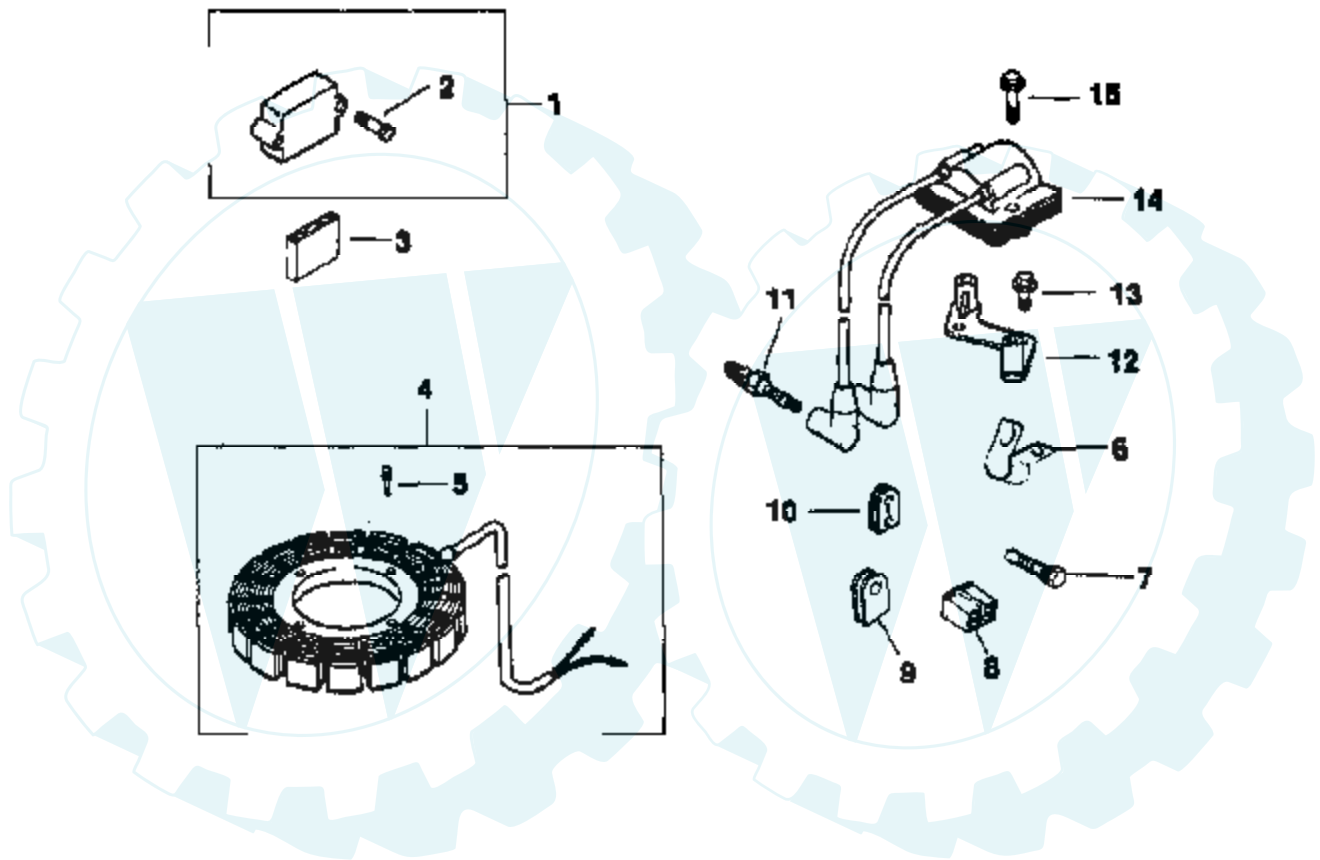


Ref #	Part Number	Qty	Description
3	17490508		SCREW LT
6	10040500		LOCKWASHER
7	73220500		NUT.HEX.5/16-18
9	72140506		BOLT
10	1685H		SUB= 68478
11	19111116		WASHER
14	17490612		SCREW
22	72110522		BOLT
34	72240606		BOLT
35	73680600		SUB= 73690600
50	74760622		BOLT
74	72240608		BOLT
90	6855M		ZERK M
91	3700J		BRACKET RH M
92	3701J		BRACKET T

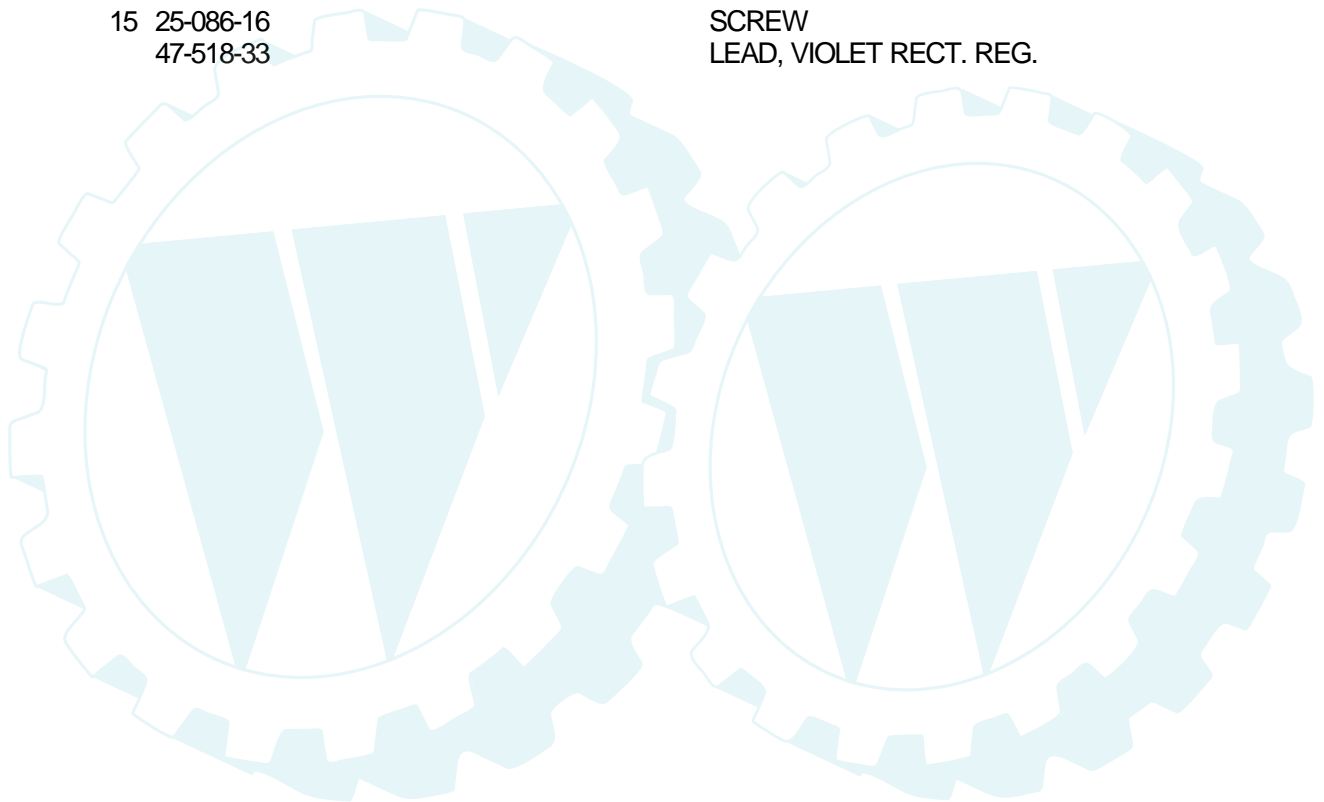


# 20 HP 50" TRACTOR - - MODEL NUMBER AYP8228A49 KOHLER ENGINE - MODEL NUMBER MV20S, TYPE NUMBER 57528

## IGNITION



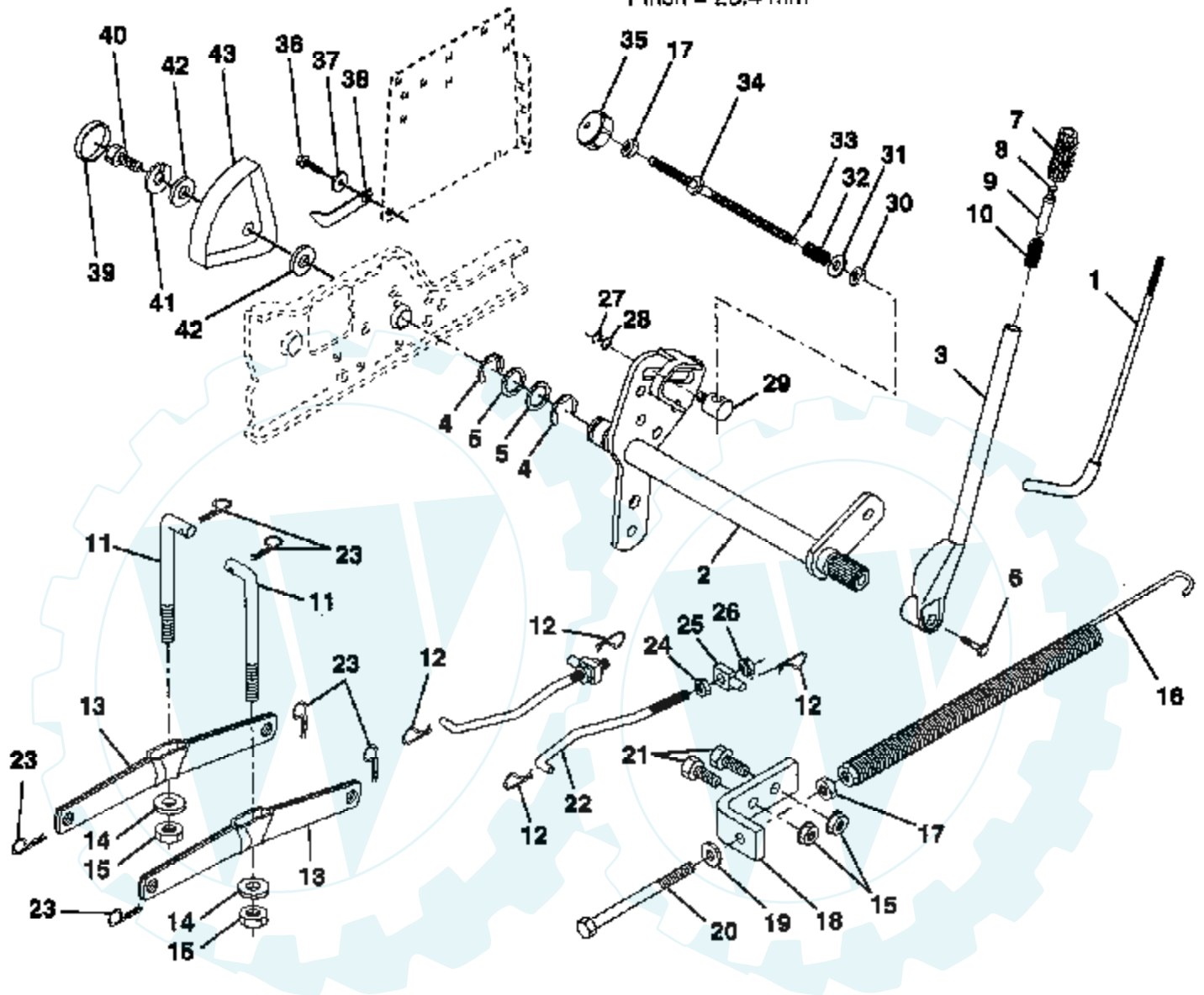
Ref #	Part Number	Qty	Description
1	25-755-03		KIT
2	X-132-5		SCREW
3	236602		CONNECTOR
4	237878		KIT
5	X-67-51		SCREW
6	210281		CLIP
7	X-67-64		SCREW
8	41-155-02		CONNECTOR
9	220297		GROMMET
10	52-313-02		GROMMET
11	52-132-02		SPARK PLUG
12	52-126-08		BRKT
13	25-086-15		SCREW, 1/4-20 X 1
14	52-584-02		MODULE
15	25-086-16		SCREW
	47-518-33		LEAD, VIOLET RECT. REG.



## 20 HP 50" TRACTOR - - MODEL NUMBER AYP8228A49

### LIFT ASSEMBLY

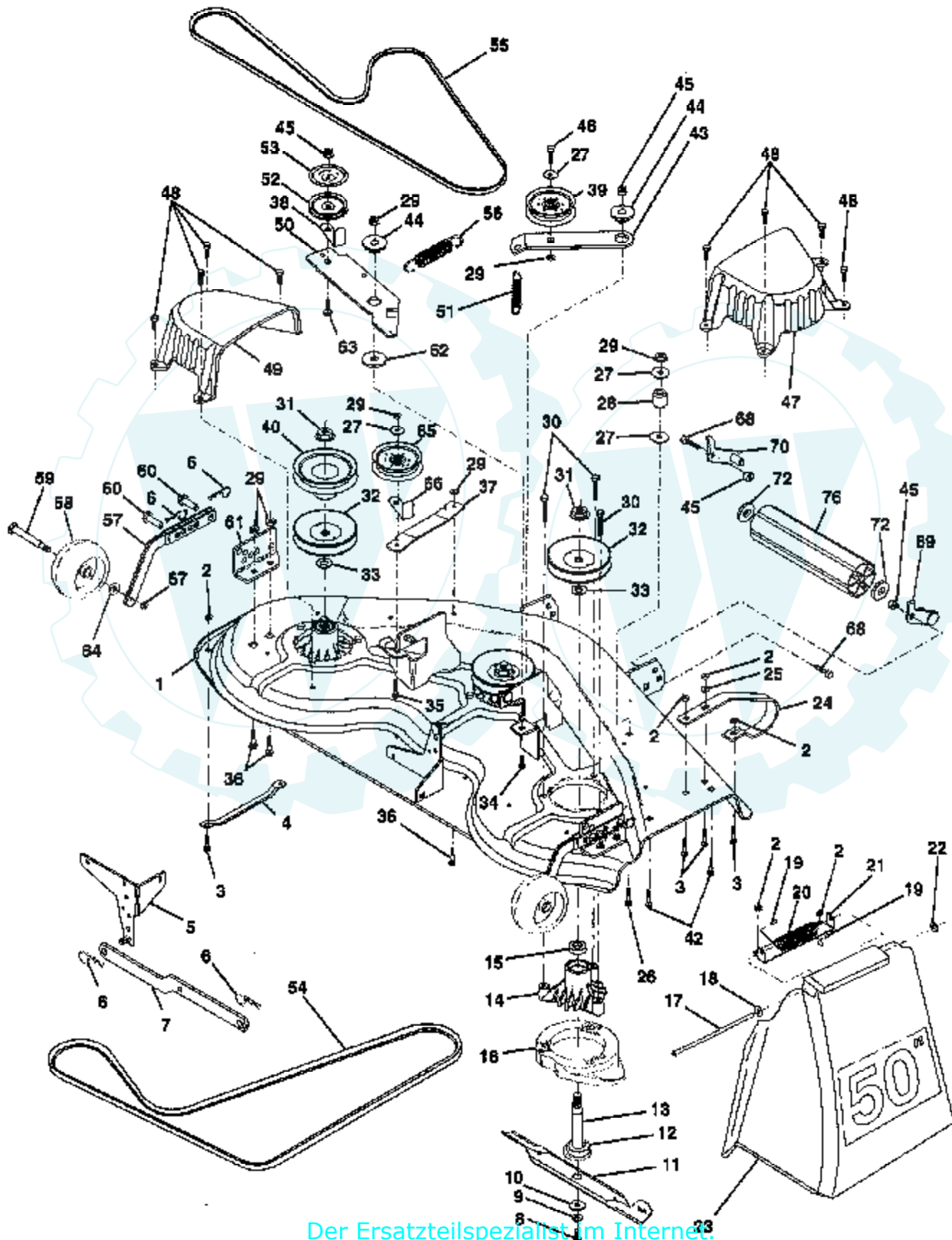
**NOTE:** All component dimensions given in U.S. inches -  
1 inch = 25.4 mm



Ref #	Part Number	Qty	Description
1	121006X		LEVER ROD LT
2	137295		SUB= 145542
3	121002X		SUB= 123096X
4	1200022		SUB= 12000022
5	19292016		WASHER
6	74780624		"BOLT,HEX"
7	125631X		GRIP HANDLE
8	122365X		SUB= 125925X
9	122364X		SUB= 125925X
10	2876H		SPRING T
11	142369		SUB= 146704
12	3146R		RETAINER.SPRING
13	139867		SUB= 139868
14	140302		BEARING PVT LH
15	73800600		NUT
16	674A247		SUB= 918674A247
17	73350600		NUT
18	5329J		SUB= 143363
19	19131316		WASHER
20	5328J		BOLT-ADJ SPRING T
21	74760616		BOLT
22	127218		LINK.FRONT
23	4939M		SUB= 85902
24	73350800		NUT
25	130171		TRUNION
26	73800800		NUT.LK.W/WSH.1/2.
27	12000037		KLIP RING
28	1915216		WASHER 15/32 X 3/4 X 16 GA.
29	110810X		TRUNION LT
30	110807X		NUT T
31	19131016		WASHER
32	137150		SPRING.COMP.INF.H
33	76020308		SUB= 3145
34	137167		ROD.ADJ.LIFT
35	138057		KNOB INF 3/8-16
36	17490612		SCREW
37	120529X		WASHER T
38	123933X505		POINTER HGT IND
39	123935X		"PLUG,HOLE"
40	74780516		SUB= 77394
41	10040500		LOCKWASHER
42	19112410		WASHER
43	123934X		HEIGHT INDICATOR

# 20 HP 50" TRACTOR -- MODEL NUMBER AYP8228A49

## MOWER DECK



Ref #	Part Number	Qty	Description
1	136457		DECK ASM MWR 50VT
2	73800500		NUT
3	72110506		SUB= 72270506
4	7631J		RUNNER-LH M
5	138457		BRKT.ASM.SW.44/50
6	4939M		SUB= 85902
7	130832		SUB= 130833
8	850857		BLADE BOLT
9	10030600		SUB= 10040600
10	140296		WASHER.HARD.BLADE
11	137380		"BLADE.50"" HD"
12	129895		BEARING.BALL
13	137553		SHAFT.ASM.W/BRNG
14	137152		HOUSING.MAND.44.V
15	110485X		BEARING
16	136929		SUB= 140329
17	106735X		ROD-HINGE T
18	19111016		WASHER
19	105304X		CAP-SLEEVE LT
20	123713X		SPRING TORSION
21	137607		BRKT DEFLECTOR
22	110452X		NUT PUSH M
23	110509X		DEFLECTOR
24	136320		"RUNNER RH 50"" DK"
25	19111216		WASHER M
26	72110614		BOLT
27	19131316		WASHER
28	132823		SUB= 532132823
29	73800600		NUT
30	138776		SUB= 157722
31	137266		SUB= 139729
32	129861		SUB= 153535
33	129963		WASHER
34	72140610		BOLT.3/8-14X1.25
35	72110616		BOLT
36	72110608		BOLT D
37	137166		STIFFENER.ARM.IDL
38	137554		SUB= 918137554
39	131494		FLAT IDLER PULLEY
40	136572		"PULLEY.DRIVEN.44"""
42	72140506		BOLT
43	136460		"ARM.IDLER.SEC.44"""
44	122052X		SPACER RETAINER
45	73680600		SUB= 73690600
46	74760628		BOLT
47	137200		"COVER.MAND.RH.44"""
48	137729		SCREW.1/4-20X5/8
49	136574		COVER.MANDREL.LH
50	137272		ARM.IDLER.PRIMARY
51	137273		"SPRING.SEC.44""VEN"
52	139245		PULLEY.IDLER.VGRO
53	137789		SHIELD.IDLER.44.V
54	139573		BELT V PRIM 50
55	138255		BELT.V.GDRIVE.95
56	138687		SPRING.EXT.DECK.
57	136577		BAR.ASM.GUAGE.WHL
58	133957		WHEEL GAGE DONUT
59	137644		BOLT.SHOULDER

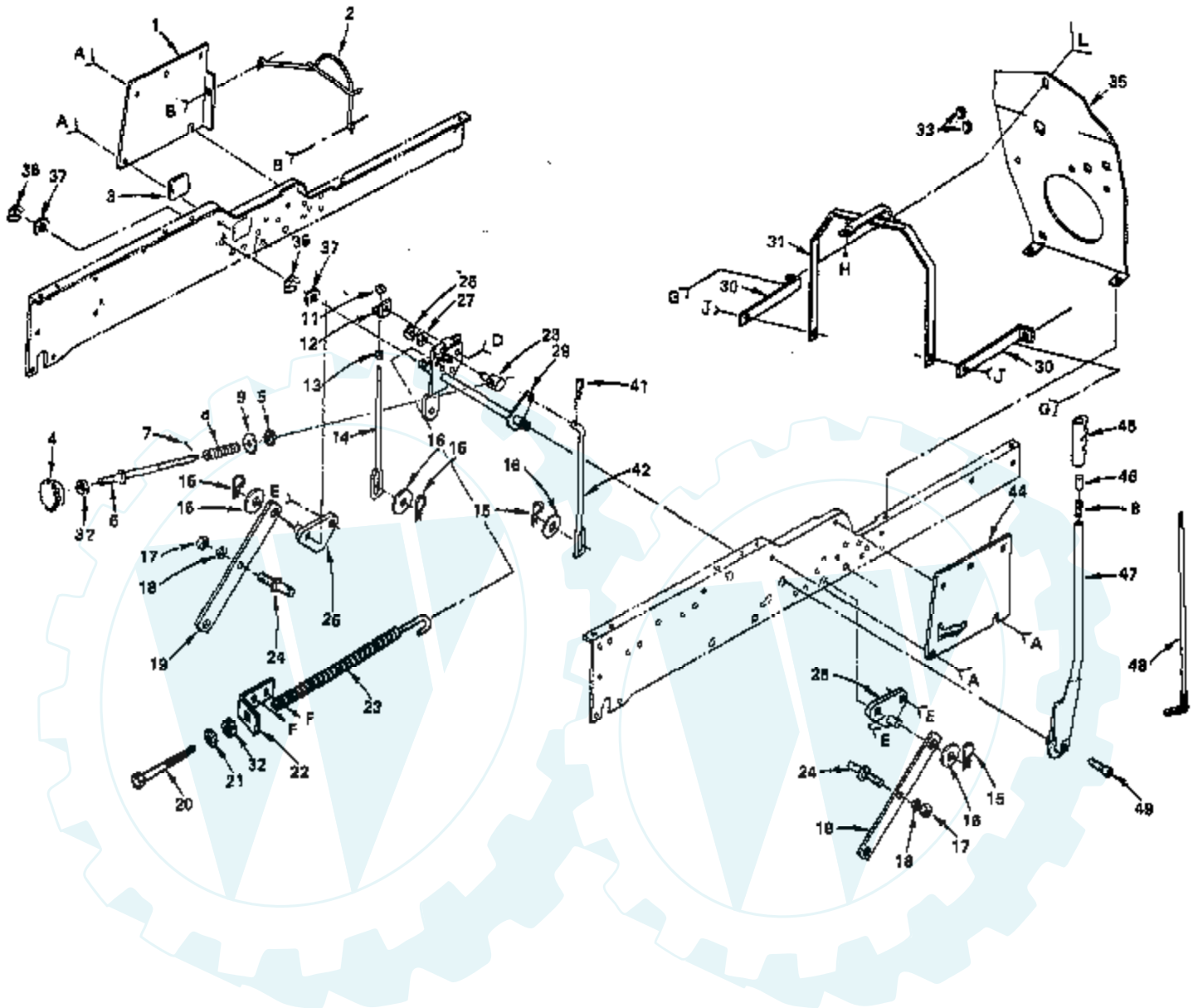
Ref #	Part Number	Qty	Description
60	139031		PIN.CLEVIS
61	136573		BRACKET.GUAGE.WHL
62	133943		HARDENED WASHER
63	72110612		BOLT.3/8-16X1.50
64	19121414		WASHER
65	102403X		IDLER-FLAT T
66	139622		SUB= 918139622
67	73930600		LOCKNUT
68	74760616		BOLT
69	132273		SUB= 532132273
70	132274		SUB= 532132274
72	19171416		WASHER
76	132264		SUB= 532132264





ROPER QT TRACTOR—MODEL NUMBERS GTK181AR AND GTK181AT

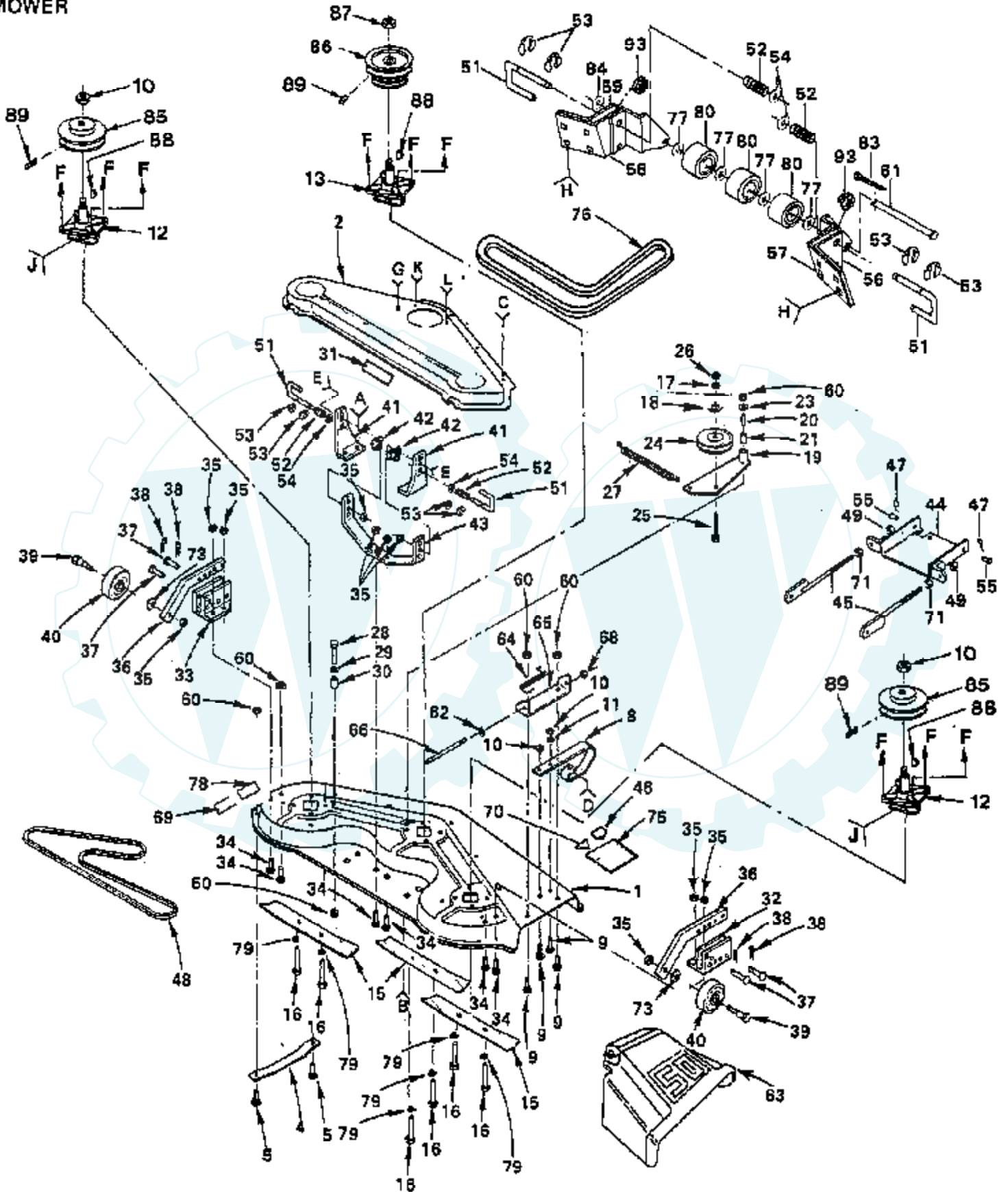
MOWER LIFT



Ref #	Part Number	Qty	Description
1	121044X		SUB= 532121046
2	110908X		SUB= 126651X
3	105505X		SUB= 121794X
4	100734K		SUB= 138057
5	110807X		NUT T
6	110811X		ROD ADJ. T
7	76020308		SUB= 3145
8	2876H		SPRING T
9	19131016		WASHER
11	73800600		NUT
12	7594J		BRACKET T
13	73220600		NUT.HEX.3/8-16UNC
14	7596J		LINK-LIFT MOW T
15	9135R		SPRING H
16	19171713		SUB= 146537
17	73220800		NUT
18	10040800		LOCKWASHER
19	105429X		SUSPENSION ARM GT
20	5328J		BOLT-ADJ SPRING T
21	19131316		WASHER
22	5329J		SUB= 143363
23	674A247		SUB= 918674A247
24	105413X		PIVOT STUD GT
25	105501X		SUSP BRACKET T
26	12000037		KLIP RING
27	19151216		WASHER
28	110810X		TRUNION LT
29	120137X		SUB= 145542
30	110903X		BRACKET T
31	106872X		SUB= 532128141
32	73350600		NUT
33	110436X		SUB= 9151R
35	110872X		SUB= 122085X
36	12000022		E-RING
37	19292016		WASHER
41	4939M		SUB= 85902
42	105503X		LIFT LINK RH T
44	121043X		SUB= 532121045
45	109413X		GRIP
46	105723X		SUB= 125925X
47	121002X		SUB= 123096X
48	121006X		LEVER ROD LT
49	74780624		"BOLT,HEX"

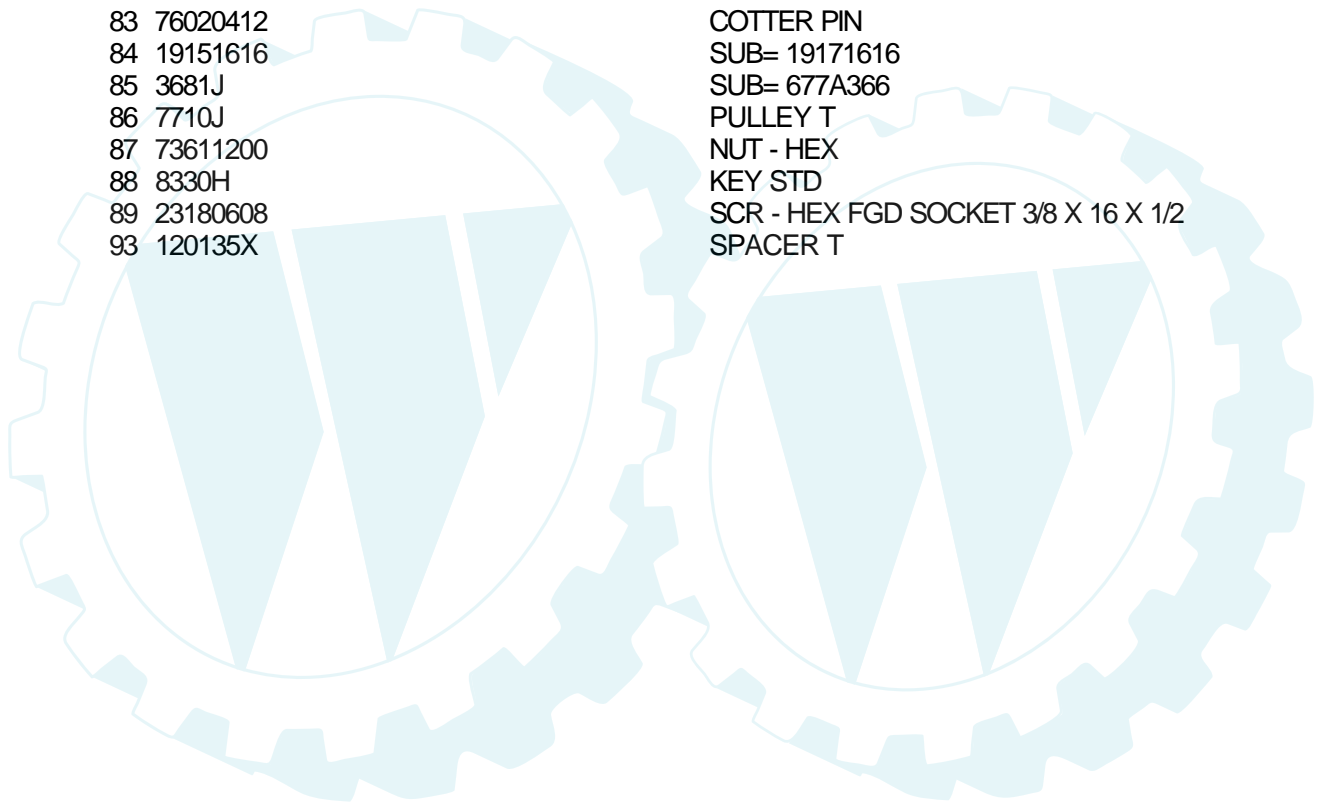
### ROPER GT TRACTOR--MODEL NUMBERS GTK161AR AND GTK161AT

MOWER



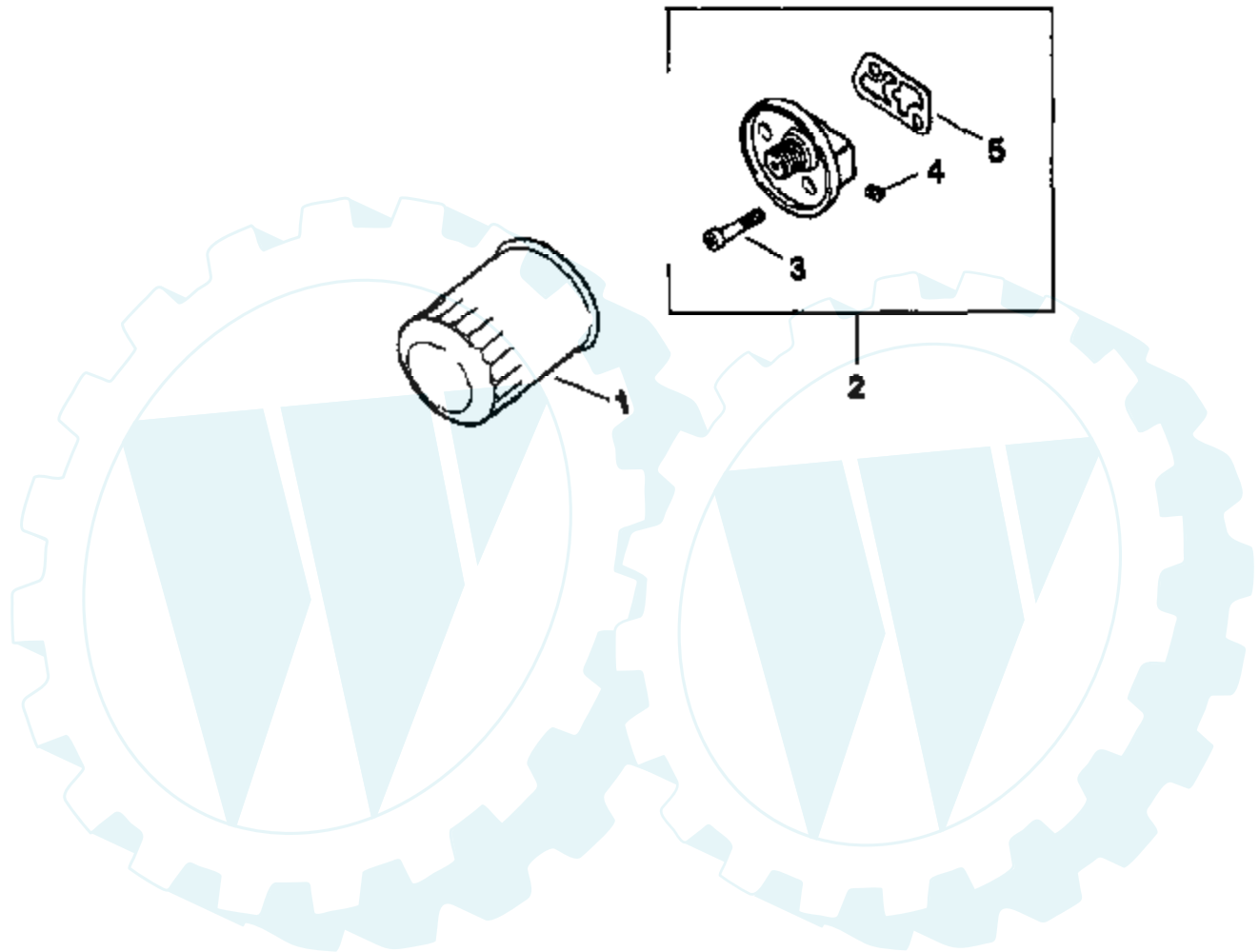
Ref #	Part Number	Qty	Description
1	110545X		NLA
2	110543X		COVER DECK T
4	7631J		RUNNER-LH M
5	72110505		BOLT
8	120449X		SUB= 136320
9	72140506		BOLT
10	1685H		SUB= 68478
11	19111116		WASHER
12	677A344		MANDREL T
13	674A225		MANDREL T
15	25032		SUB= 25743
16	74780712		BOLT.7/16-14X3/4
17	10040600		LOCKWASHER
18	19131614		WASHER
19	674A213		ARM ASSY GT
20	7834J		SUB= 674A308
21	7835J		SUB= 674A308
23	19111610		WASHER
24	102403X		IDLER-FLAT T
25	74760624		SUB= 74930624
26	73220600		NUT.HEX.3/8-16UNC
27	104361X		SPRING T
28	74780520		BOLT
29	19111216		WASHER M
30	8438J		SPACER SPLIT LT
31	106224X		SUB= 139346
32	105448X		GUAGE WHL BRKT GT
33	105449X		GUAGE WHL BRKT GT
34	72240606		BOLT
35	73680600		SUB= 73690600
36	105453X		GUAGE WHL BAR GT
37	5565J		SUB= 139031
38	4939M		SUB= 85902
39	4898H		BOLT M
40	105455X		WHEEL.GAGE.BLK.PL
41	105433X		SUSP BRKT GT
42	110237X		SPACER GT
43	105434X		SUSP BRACE GT
44	109778X		SUB= 140741X431
45	109771X		BRACKET.SUSPEN.AS
46	78850		SUB= 85463
46	107339X		DECAL HYT
47	3146R		RETAINER.SPRING
48	3703J		V-BELT M
49	73680800		NUT LTV
51	105435X		RELEASE PIN GT
52	3720R		SPRING M
53	12000039		KLIP RING
54	19171612		WASHER GT
55	105440X		CLEVIS PIN GT
56	105458X		BRACKET T
57	109773X		BRACKET T
58	110997X		BRACKET T
59	120000X		BRACKET T
60	73680500		SUB= 73690500
61	109776X		PIVOT PIN T
62	19111016		WASHER
63	110509X		DEFLECTOR

Ref #	Part Number	Qty	Description
64	106734X		SUB= 123713X
65	109743X		SUB= 137607
66	106735X		ROD-HINGE T
68	110452X		NUT PUSH M
69	3713J		DECAL INSTRUCTION CAUTION
70			CHECK WITH SUPPLIER
71	73220800		NUT
73	19171512		WASHER
75	109819X		NLA
76	110885X		NLA
77	19151610		WASHER T
78	105185X		DECAL-INST YT
79	10040700		LOCKWASHER
80	109729X		ROLLER T
83	76020412		COTTER PIN
84	19151616		SUB= 19171616
85	3681J		SUB= 677A366
86	7710J		PULLEY T
87	73611200		NUT - HEX
88	8330H		KEY STD
89	23180608		SCR - HEX FGD SOCKET 3/8 X 16 X 1/2
93	120135X		SPACER T



**20 HP 50" TRACTOR - - MODEL NUMBER AYP8228A49**  
**KOHLER ENGINE - MODEL NUMBER MV20S, TYPE NUMBER 57528**

**OIL FILTER**

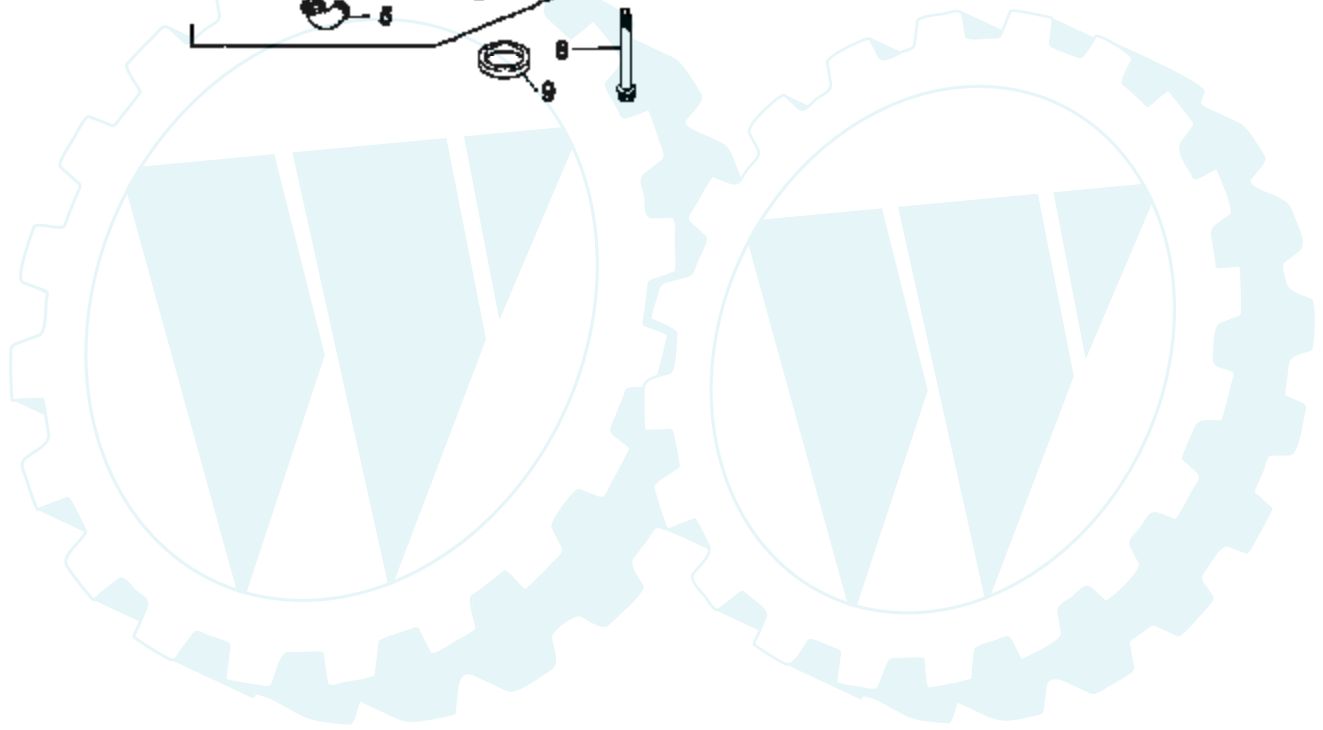
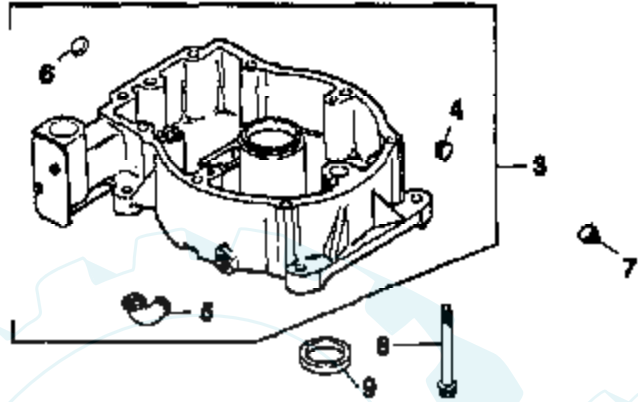


Ref #	Part Number	Qty	Description
1	52-050-02		OIL FILTER
2	82-755-23		KIT, FILTER ADAPTOR
3	X-55-15		SCREW
4	X-75-23		PLUG
5	52-041-16		GASKET



**20 HP 50" TRACTOR - - MODEL NUMBER AYP8228A49**  
**KOHLER ENGINE - MODEL NUMBER MV20S, TYPE NUMBER 57528**

**OIL PAN**



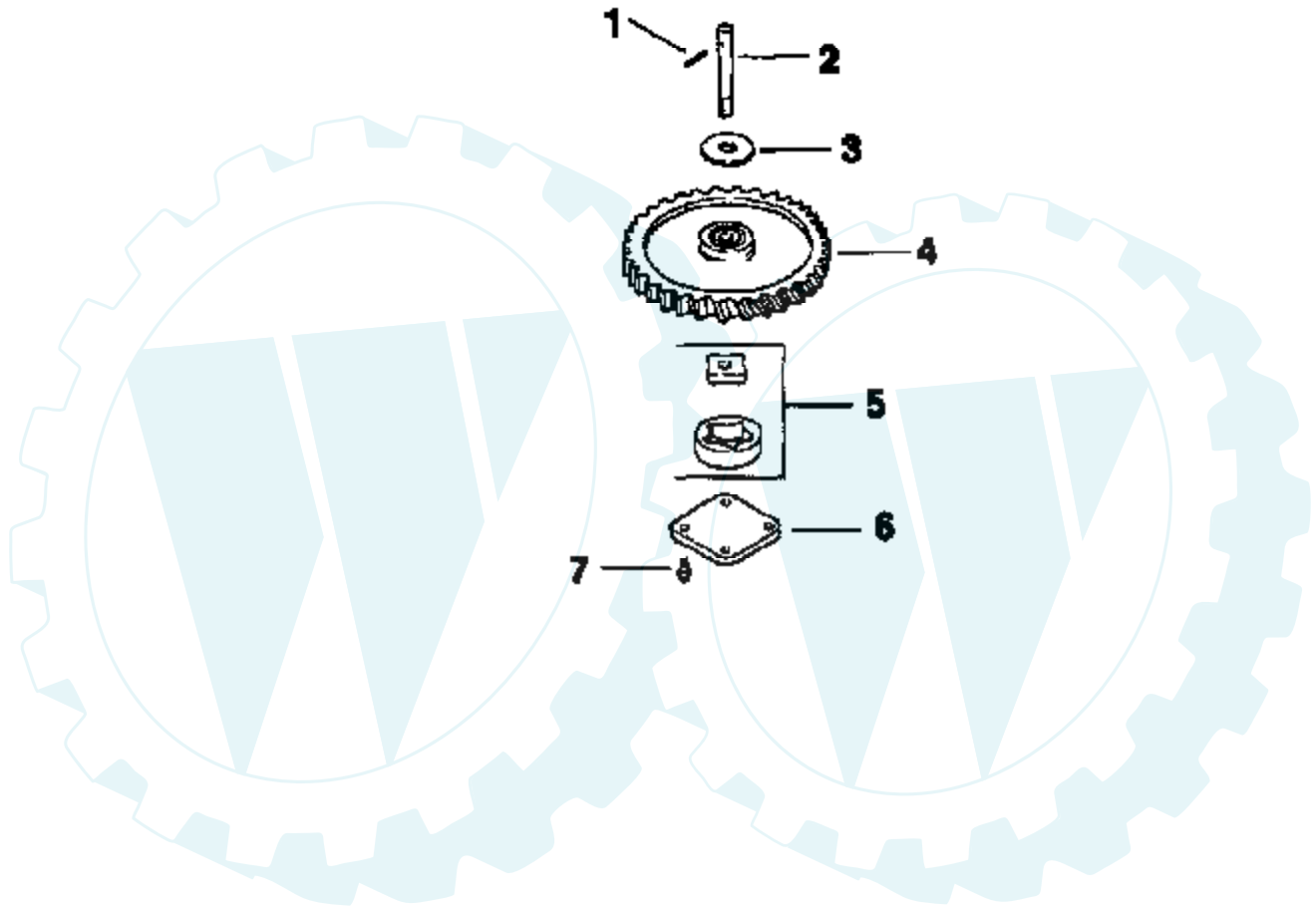


Ref #	Part Number	Qty	Description
1	X-67-64		SCREW
2	52-050-03		FILTER
3	52-199-14		OIL PAN
4	X-702-14		PLUG, CUP 1-1/16
5	52-054-07		ELBOW, STREET
6	X-75-38		PLUG, 1/4
7	X-75-10		PLUG
8	52-086-12		SCREW
9	52-032-10		SEAL



**20 HP 50" TRACTOR - - MODEL NUMBER AYP8228A49**  
**KOHLER ENGINE - MODEL NUMBER MV20S, TYPE NUMBER 57528**

**OIL PUMP**

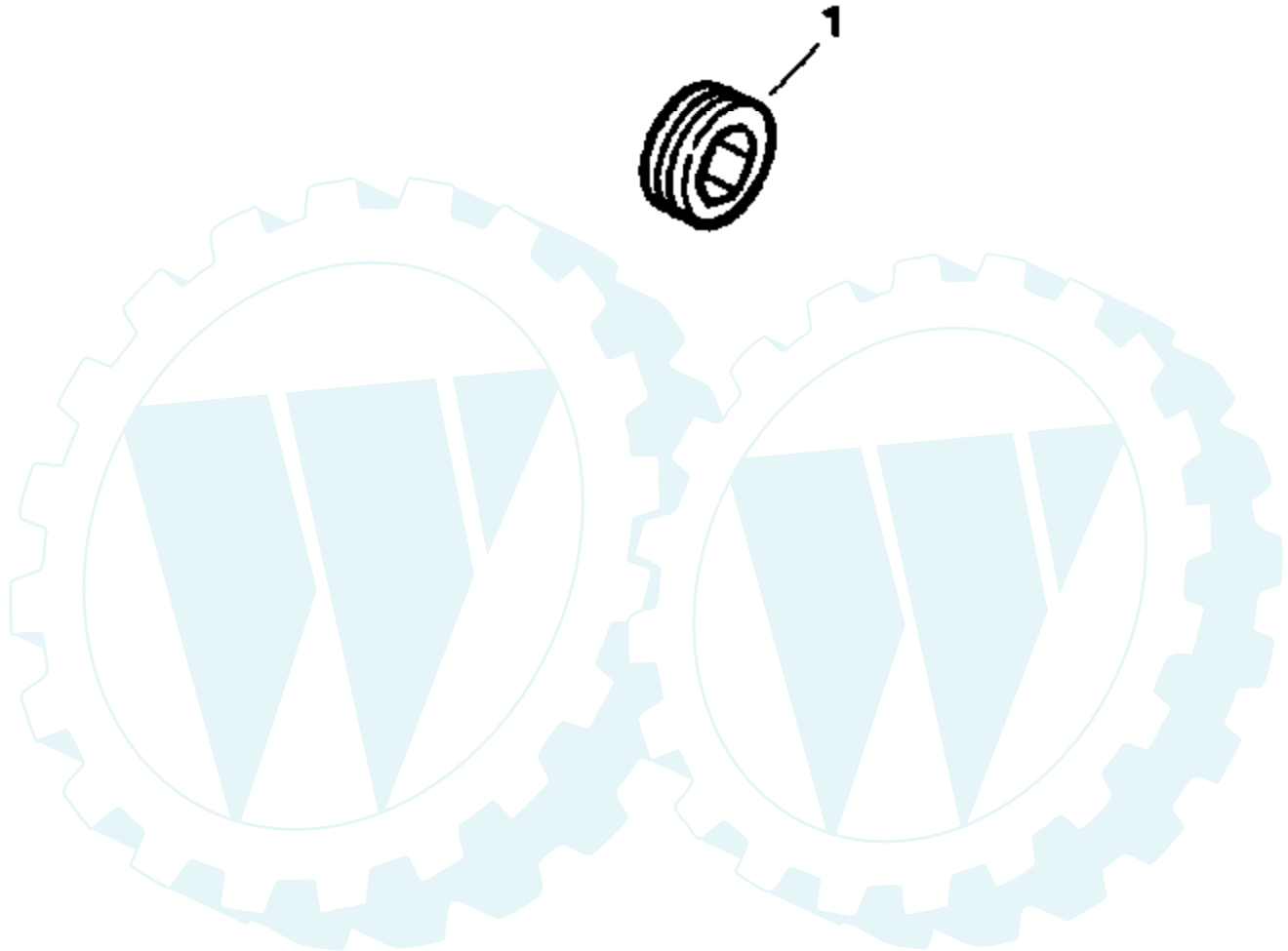


Ref #	Part Number	Qty	Description
1	X-280-25		PIN, ROLL
2	52-144-05		SHAFT OIL PUMP
3	52-422-01		SPACER
4	52-043-05		GEAR OIL PUMP
5	52-393-09		ROTOR SET
6	52-096-03		COVER OIL PUMP
7	X-67-64		SCREW
	82-522-30		SHORT BLOCK
	52-755-94		GASKET SET



**20 HP 50" TRACTOR - - MODEL NUMBER AYP8228A49**  
**KOHLER ENGINE - MODEL NUMBER MV20S, TYPE NUMBER 57528**

**OIL SWITCH**

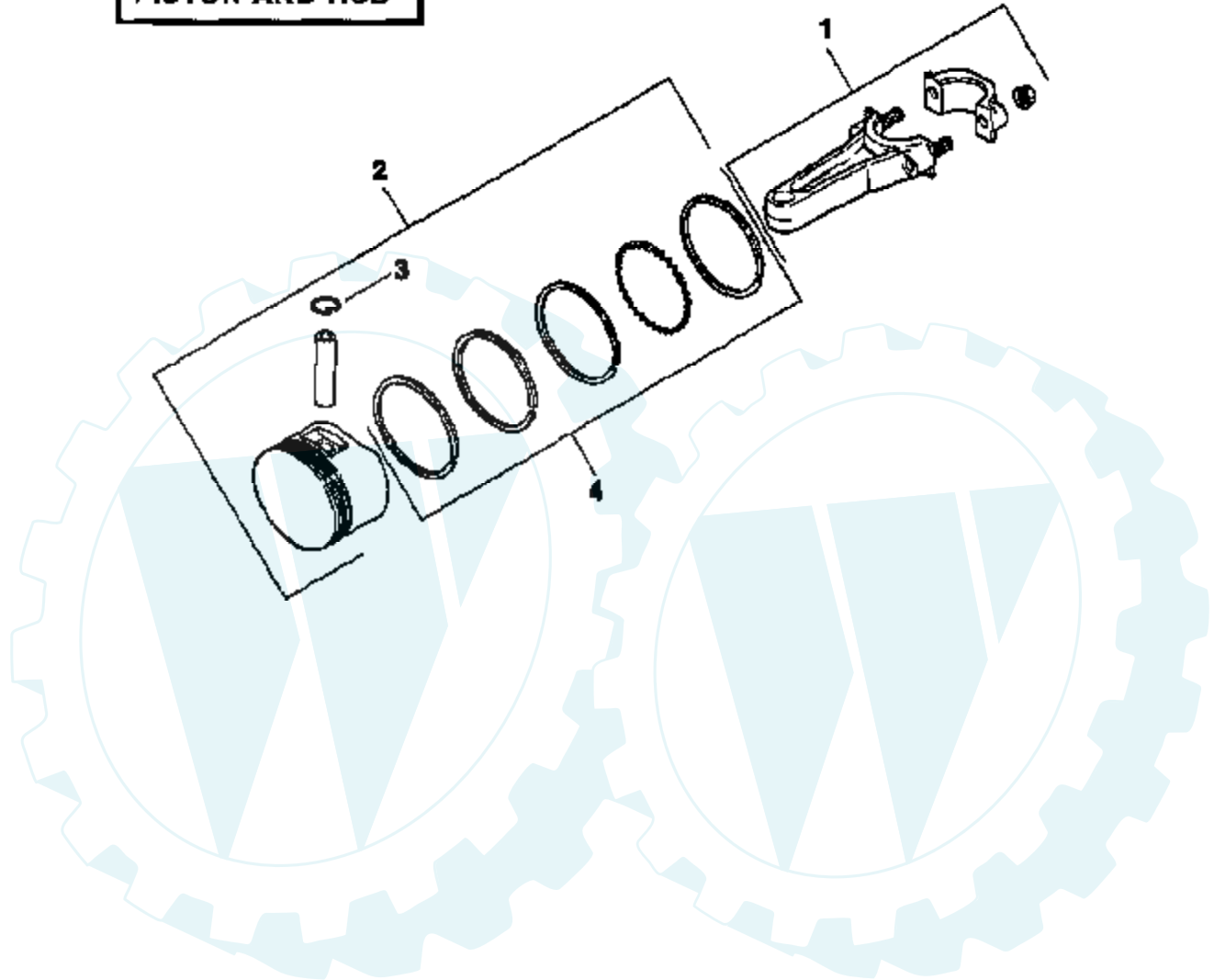


Ref #	Part Number	Qty	Description
1	X-75-23		PLUG



**20 HP 50" TRACTOR - - MODEL NUMBER AYP8228A49**  
**KOHLER ENGINE - MODEL NUMBER MV20S, TYPE NUMBER 57528**

**PISTON AND ROD**

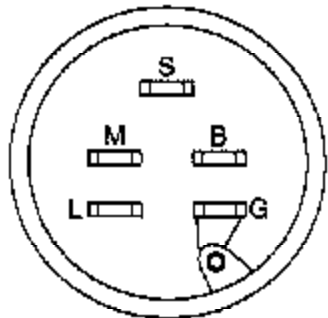
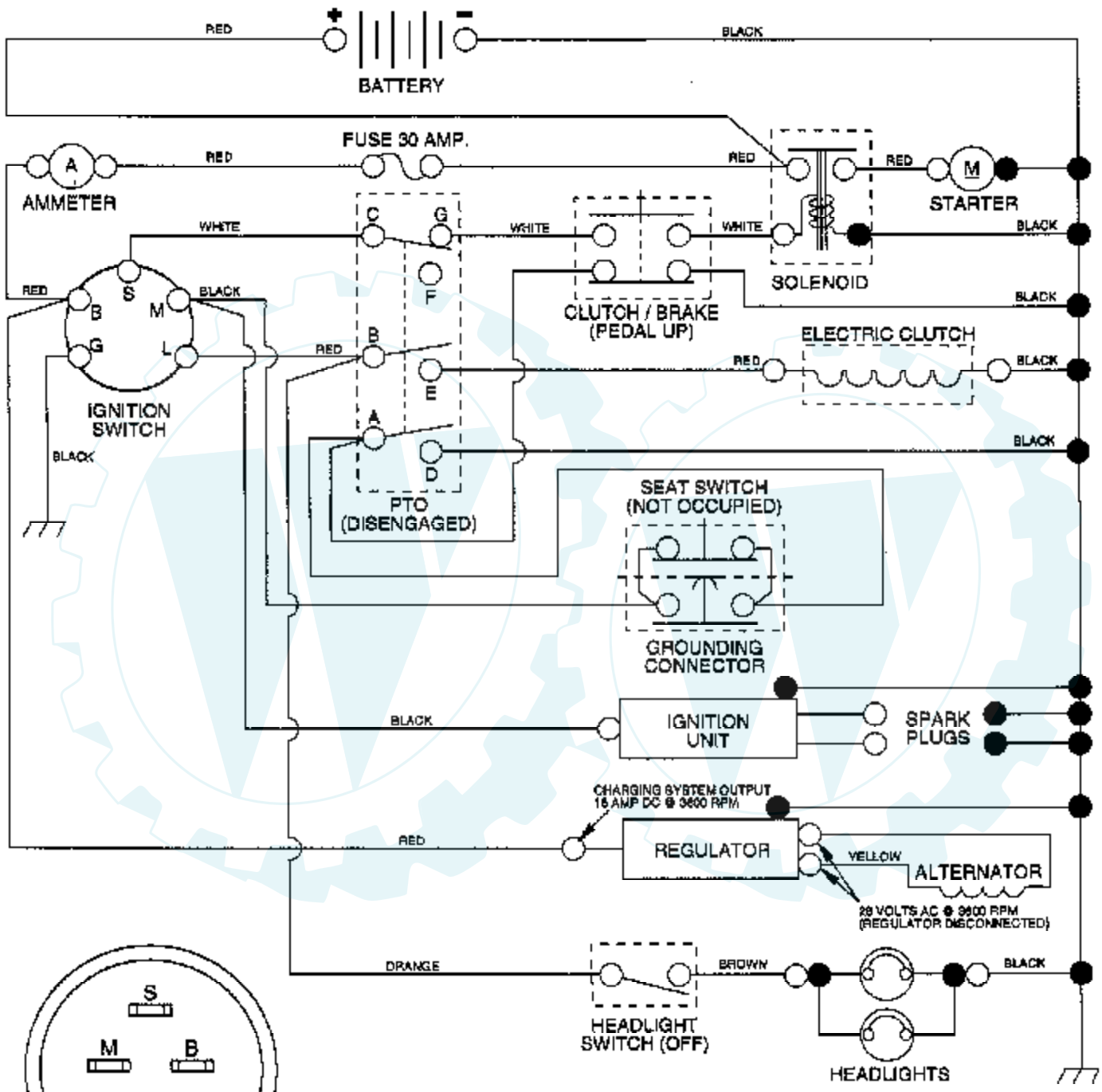


Ref #	Part Number	Qty	Description
1	52-067-67		CONNECTING ROD
1	52-067-68		CONNECT. ROD .010"
2	52-874-11		PISTON W/RING SET
2	52-874-12		PISTON W/RING SET .003"
2	52-874-13		PISTON W/RING SET .010"
2	52-874-14		PISTON W/RING SET .020"
2	52-874-15		PISTON W/RING SET .030"
3	230004		RETAINER, PISTON PIN
4	52-108-09		RING SET, .003"
4	52-108-10		RING SET, .010"
4	52-108-11		RING SET, .020"
4	52-108-12		RING SET, .030"



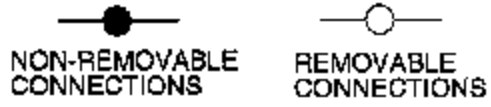
## 20 HP 50" TRACTOR - - MODEL NUMBER AYP8228A49

### SCHEMATIC

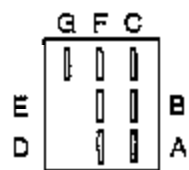


**IGNITION SWITCH**

POSITION	CIRCUIT
OFF	M + G
ON	B + L
START	B + S + L



**WIRING INSULATED CLIPS**  
NOTE: IF WIRING INSULATED CLIPS WERE REMOVED FOR SERVICING OF UNIT, THEY SHOULD BE REPLACED TO PROPERLY SECURE YOUR WIRING



**PTO SWITCH**

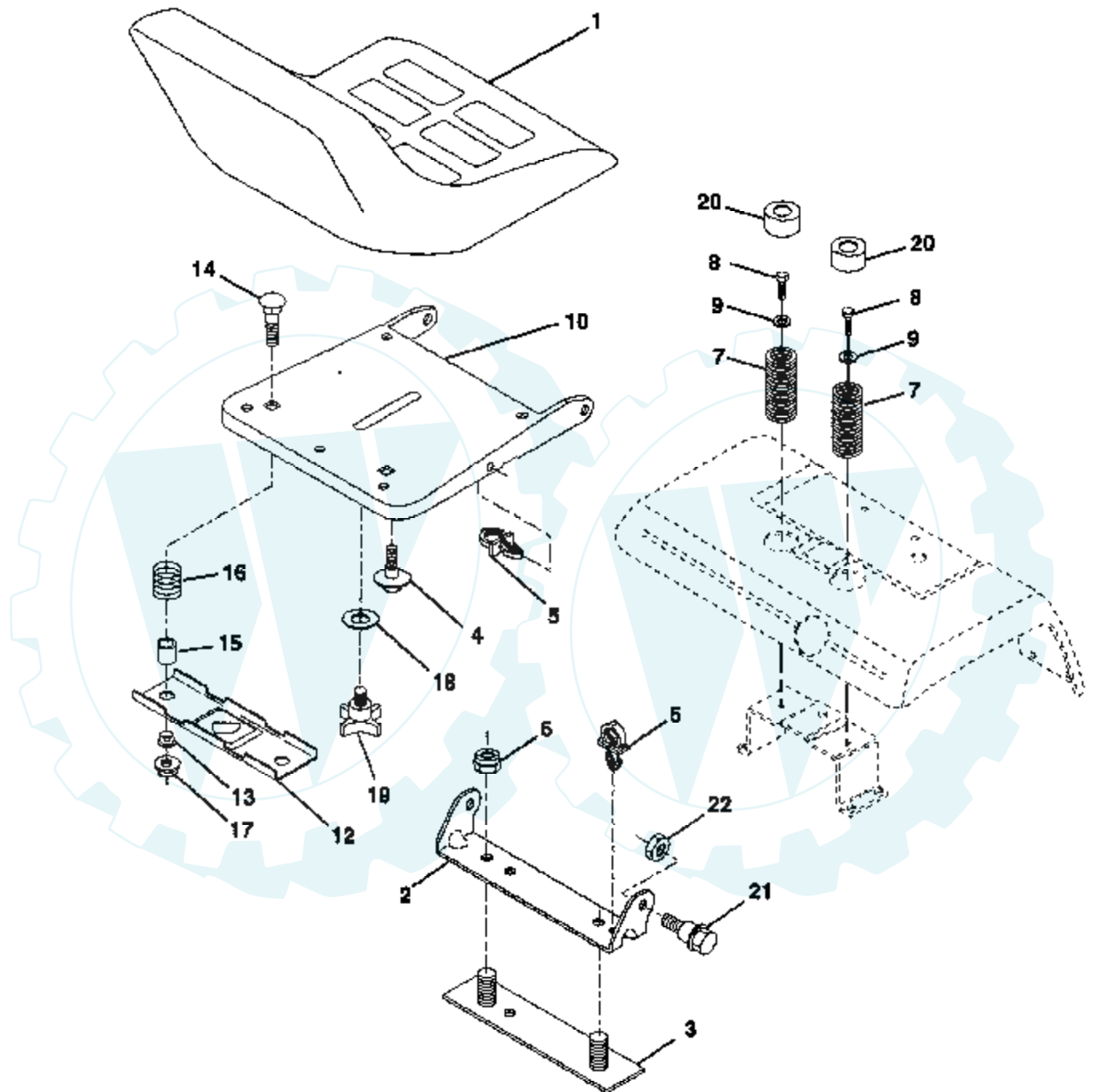
POSITION	CIRCUIT
OFF	C + G
ON	C + F, B + E, A + D



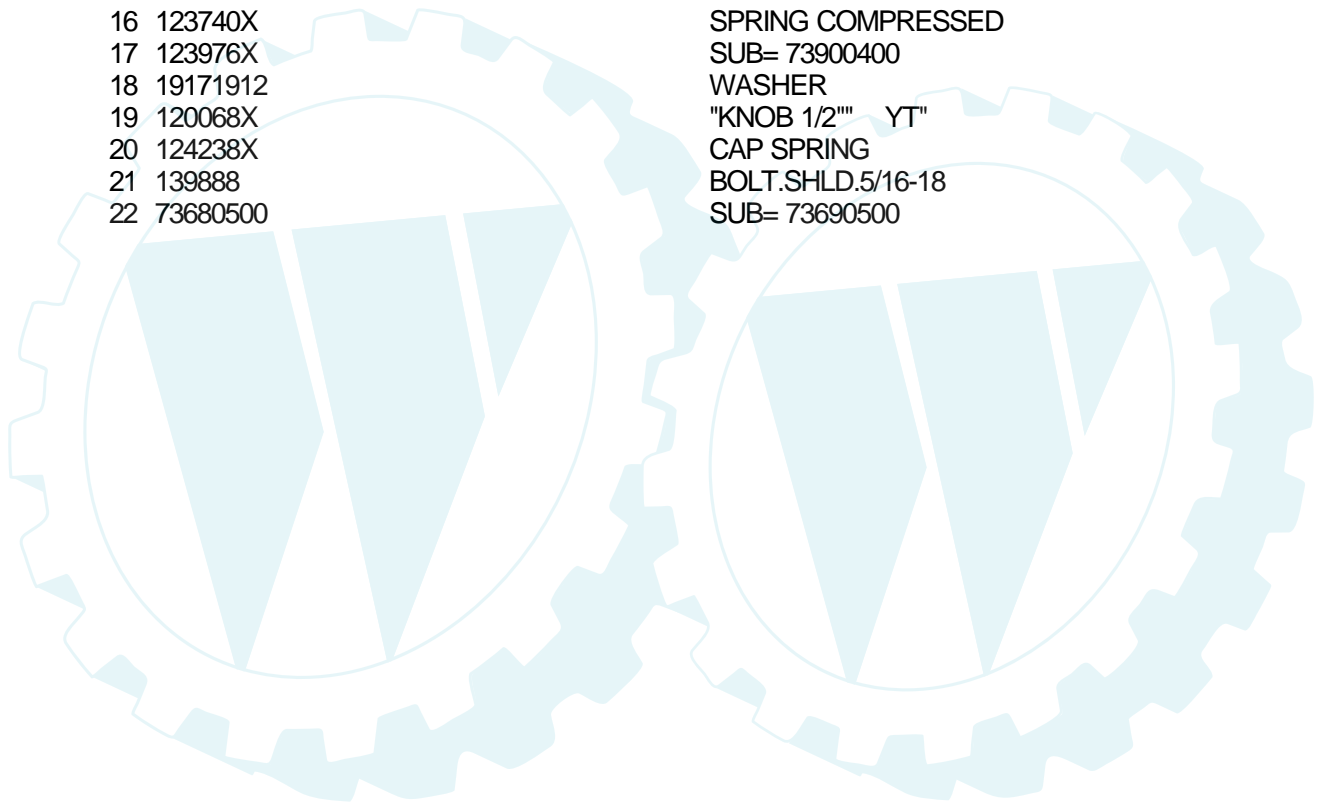
## 20 HP 50" TRACTOR - - MODEL NUMBER AYP8228A49

### SEAT ASSEMBLY

**NOTE:** All component dimensions given in U.S. inches  
1 inch = 25.4 mm

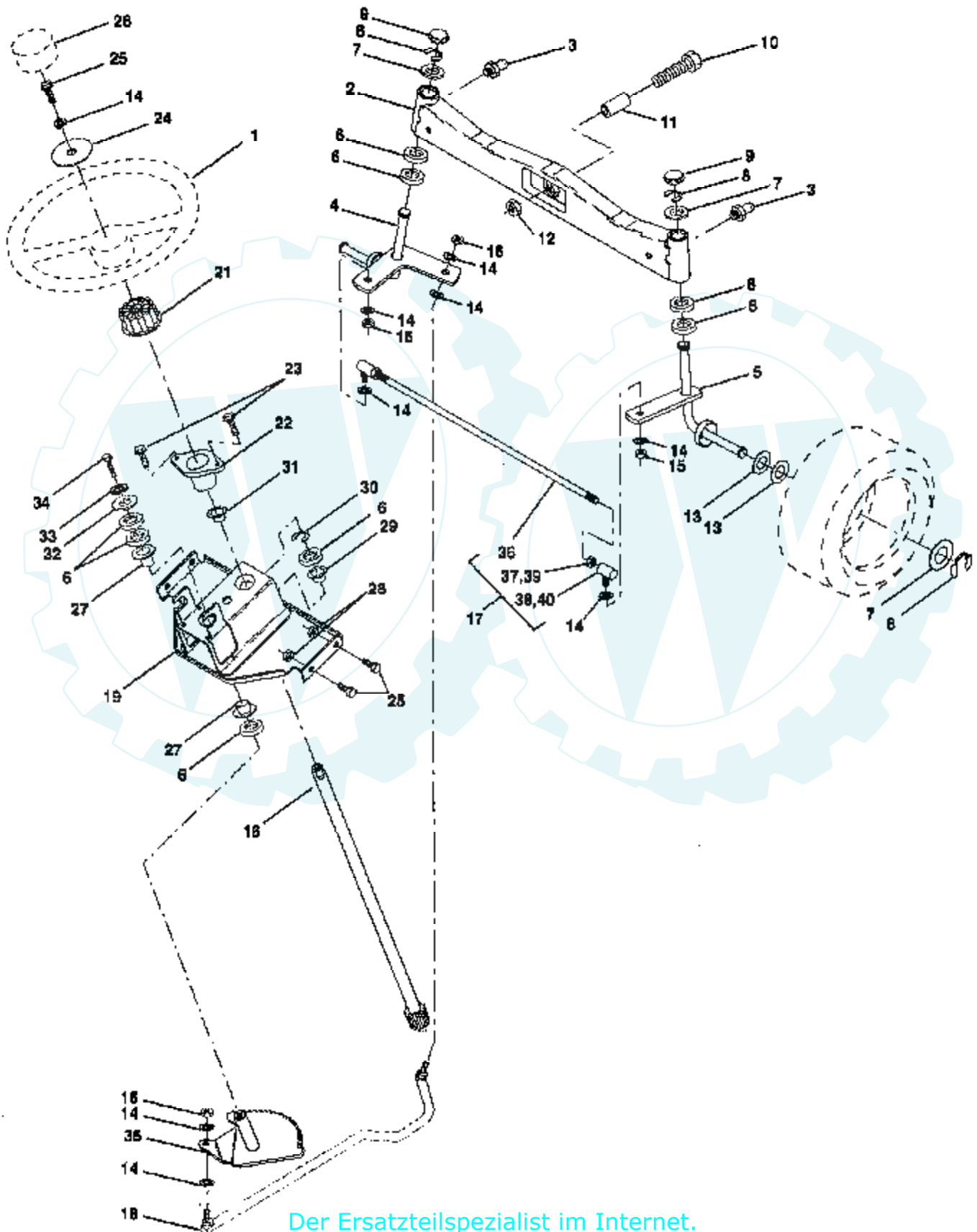


Ref #	Part Number	Qty	Description
1	127440		SUB= 140121
2	140551		BRACKET PVT SEAT
3	140675		STRAP ASM FENDER
4	127018X		"BOLT,SHOULDER"
5	140407		CLIP PUSH - IN
6	73800600		NUT
7	124181X		SPRING COMPRESSIO
8	17490508		SCREW LT
9	19131614		WASHER
10	140552		SUB= 155925
12	121246X		BRKT SWITCH
13	121248X		BUSHING
14	72050411		SUB= 872050411
15	121249X		SPACER SPLIT
16	123740X		SPRING COMPRESSED
17	123976X		SUB= 73900400
18	19171912		WASHER
19	120068X		"KNOB 1/2" YT"
20	124238X		CAP SPRING
21	139888		BOLT.SHLD.5/16-18
22	73680500		SUB= 73690500



## 20 HP 50" TRACTOR - - MODEL NUMBER AYP8228A49

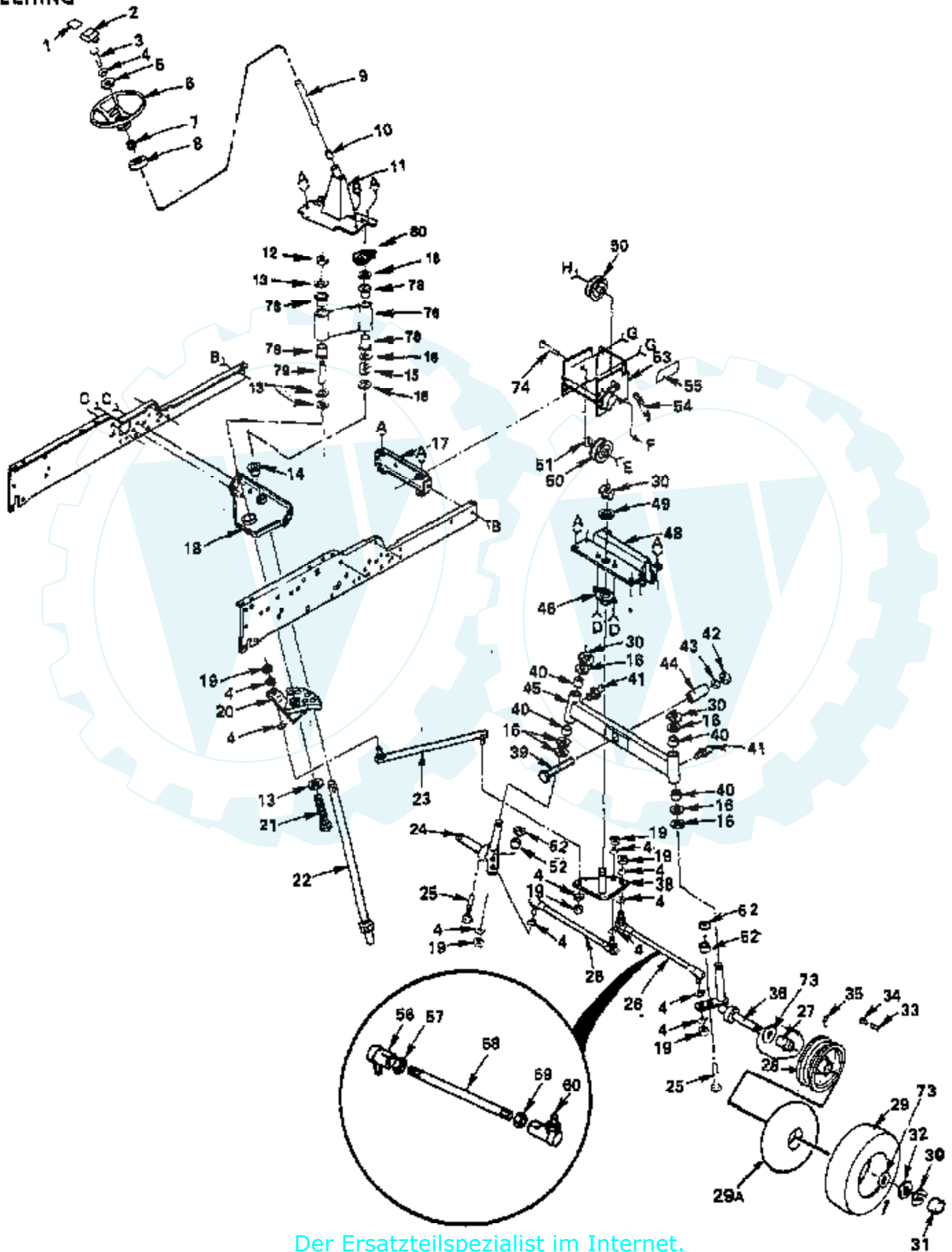
### STEERING ASSEMBLY



Ref #	Part Number	Qty	Description
1	121472X		SUB= 150546
2	137094		SUB= 532137094
3	6855M		ZERK M
4	136960		SPINDLE.ASM.LH
5	136959		SUB= 918136959
6	6266H		WASHER .T
7	121748X		WASHER
8	12000029		RING
9	121232X		CAP
10	74781044		BOLT
11	136518		SPACER BEARING
12	73901000		"NUT-LOC,FLANGE LT"
13	121749X		WASHER
14	10040600		LOCKWASHER
15	73610600		SUB= 7810H
16	102458X		SHAFT ASSY GT
17	137347		ROD.ASM.TIE.BALL
18	137155		DRAGLINK.BALL.JOI
19	138053		SUB= 144673
21	100711L		ADAPTER LT
22	1554J		SUB= 155108
23	17431008		SUB= 98000165
24	19133808		WASHER T
25	74780616		BOLT
26	126805X		"INSERT,STR WHEEL"
27	3366R		COL. SRTG. BEAR.
28	73800600		NUT
29	104239X		"FLANGE GT, BEAR."
30	12000034		KLIP RING
31	138136		BUSHING.NYLINER.
32	19111610		WASHER
33	10040500		LOCKWASHER
34	74760512		BOLT
35	138059		GEAR.ASM.SECTOR.
36	137156		SUB= 137347
37	73360600		NUT
38	109850X		JOINT.RH
39	73700600		NUT
40	109851X		JOINT.LH

### ROPER GT TRACTOR—MODEL NUMBERS GTK181AR AND GTK181AT

#### STEERING



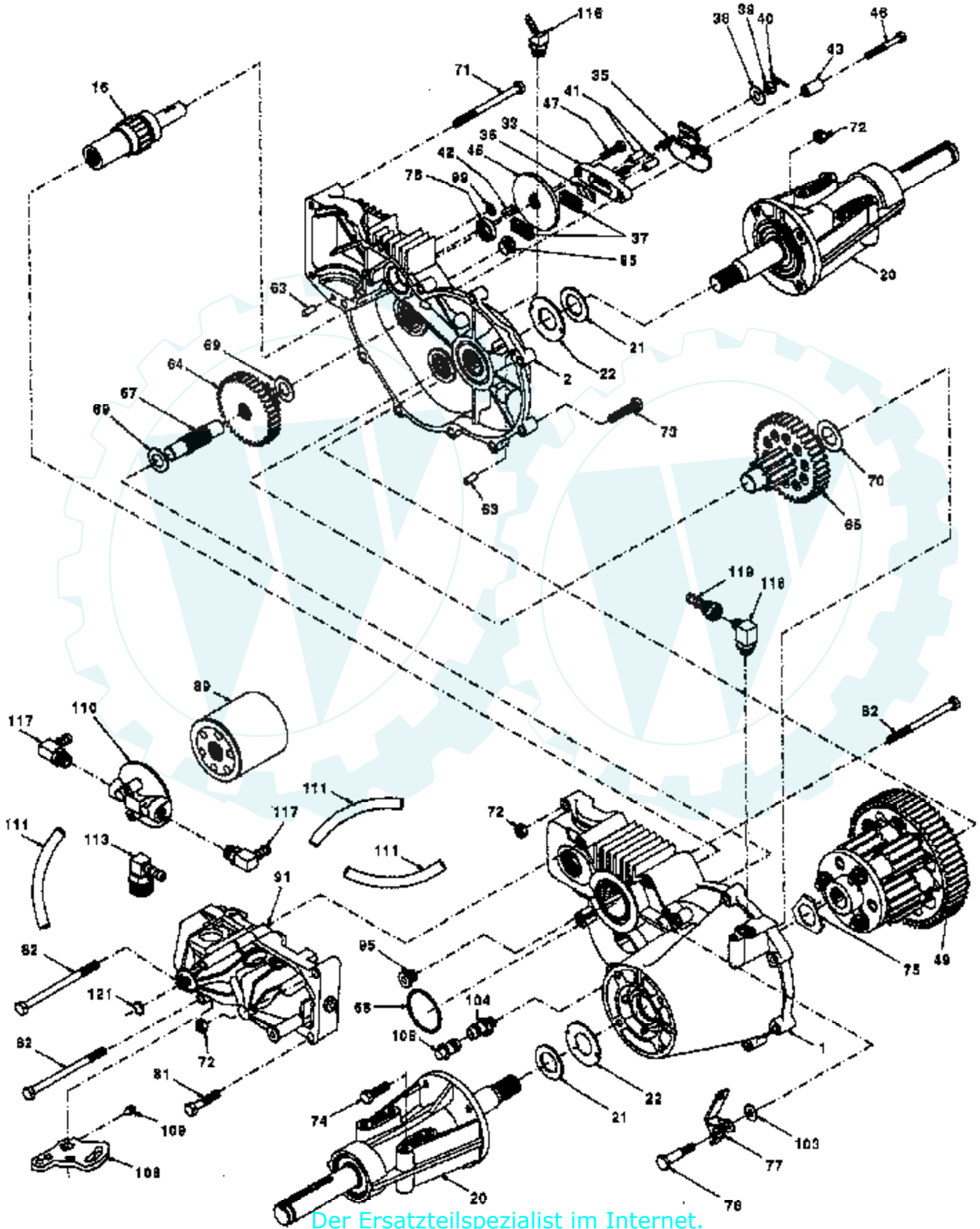
Ref #	Part Number	Qty	Description
1	104590X		DECAL - STEERING WHEEL
2	100710L		INSERT-WHEEL LT
3	74780616		BOLT
4	10040600		LOCKWASHER
5	19133808		WASHER T
6	100713N		SUB= 150547
7	100711L		ADAPTER LT
8	106943X		SPACER LT
9	108540X		TUBE
10	9038R		"T, BEARING"
11	101274N		SUPPORT ASSY T
12	73680800		NUT LTV
13	19172610		WASHER GT
14	104239X		"FLANGE GT, BEAR."
15	12000034		KLIP RING
16	6266H		WASHER .T
17	5213J		FRAME BRACKET GT
18	102439X		SUB= 144668
19	73610600		SUB= 7810H
20	120424X		SECTOR T
21	74780880		BOLT T
22	104591X		SHAFT STEERING GT
23	110497X		LINK.DRAG.T
24	106046X		SPINDLE ASSY T
25	74520632		BOLT, HEX 3/8 - 16 X 2
26	109849X		TIE ROD T
27	9040H		"FLANGE, BEARING"
28	106228X		SUB= 106228X417
29	3938R		SUB= 122075X
29A	8134H		TUBE.16X6.5/7.5-8
30	1200029		KLIP, RING
31	104757X		HUB CAP
32	19252016		SUB= 121749X
33	59192		VALVE CAP
34	65139		VALVE STEM LT
35	278H		FITTING LT
36	106045X		SPINDLE RH T
38	108137X		"T, BELLCRANK"
39	74781044		BOLT
40	1309H		BRNG. T
41	6855M		ZERK M
42	73221000		NUT X
43	10041000		WASHER
44	5298J		SUB= 136518
45	674A243		AXLE ASSEMBLY
46	5292J		SUB= 140342
48	5284J		AXLE BRACKET T
49	19292016		WASHER
50	677A451		IDLER-INSIDE T
51	19133808		WASHER T
52	110946X		STOP T
53	120542X		IDLER BRKT T
54	7190J		SPRING
55	108367X		DECAL T
56	8922R		SUB= 109851X
57	73700600		NUT
58	7919J		SUB= 121159X
59	73360600		NUT

Ref #	Part Number	Qty	Description
60	8921R		SUB= 109850X
62	73680600		SUB= 73690600
73	1925616		WASHER 25/32 X 1-5/8 X 16 GA.
74	74760632		SUB= 74930632
76	120195X		SUB= 121177X
78	120200X		NYLINER T
79	120199X		TUBE T
80	120800X		SUB= 120448X



## 20 HP 50" TRACTOR - - MODEL NUMBER AYP8228A49

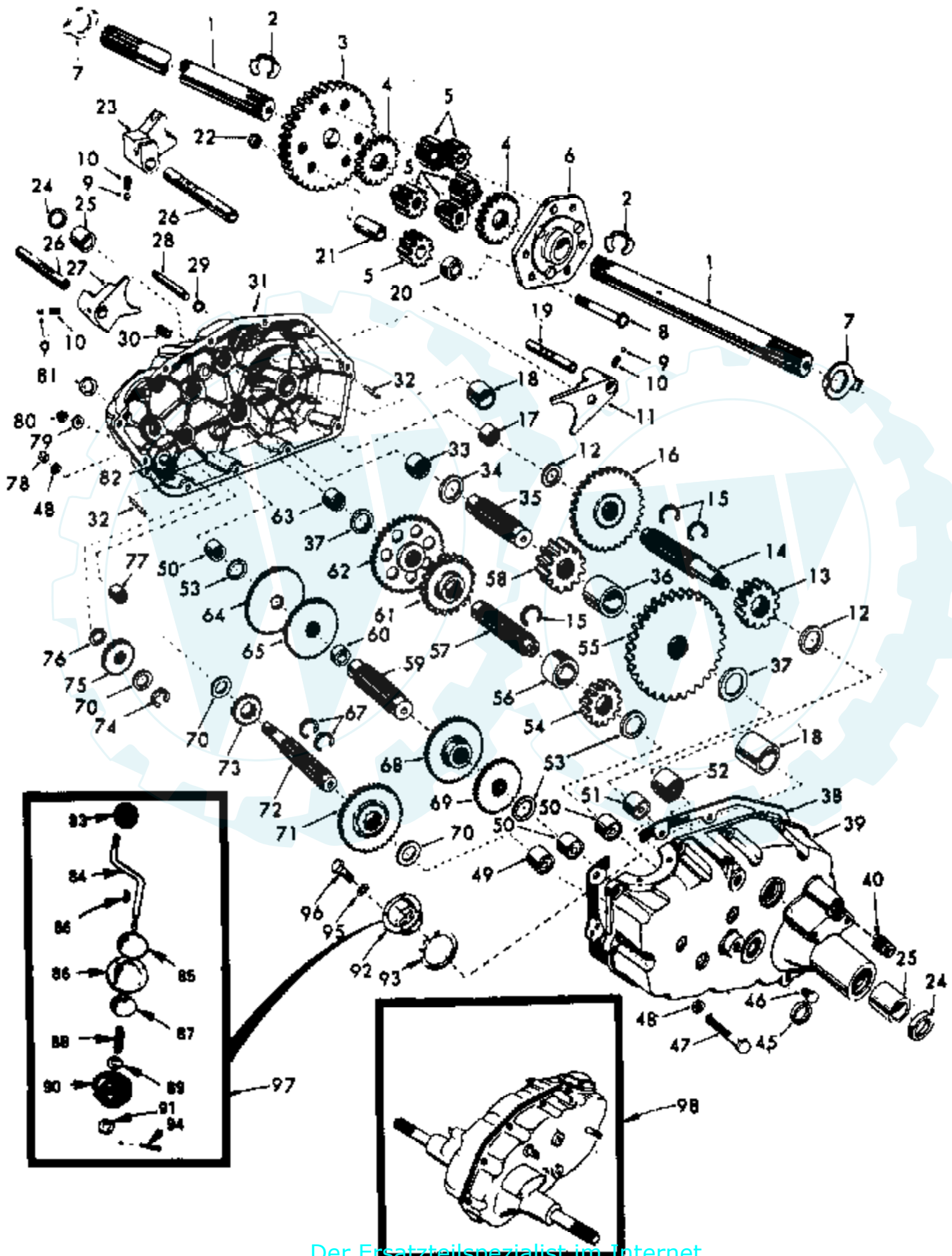
### TRANSAXLE





Ref #	Part Number	Qty	Description
1	142874		HOUSING LH 70086
2	142875		HOUSING RH 70088
16	142876		SHAFT BRAKE 62877
20	142877		AXLE MTG 70087
21	142878		WASHER 44805
22	142879		WASHER 44806
33	142929		YOKE.BRAKE.62589
35	142880		ARM BRAKE 50214
36	142882		PUCK PLATE 44134
37	142883		PUCK BRAKE 44132
38	142884		WASHER HYD 44130
39	142885		SUB= 144607
40	142886		SUB= 144608
41	142887		PIN BRAKE 44127
42	142888		KEY HI PRO 44143
43	142889		SPACER 50259
45	142890		DISC BRAKE 44090
46	142891		BOLT 1/4-20 44276
47	142892		BOLT 1/4-20 44433
49	142893		DIFFERENTIAL62834
63	142894		PIN DOWL 44757
64	142896		GEAR R14-38 44775
65	142897		PINION DRIV 70051
67	142898		SHAFT-44779
68	142899		O RING 44781
69	142900		WASHER 44795
70	142901		WASHER 44794
71	142902		BOLT 5/16 44827
72	142903		NUT HXLK 43064
73	142904		BOLT 5/16 44841
74	142905		SCREW 5/16 45089
75	142906		WASHER DIF 44880
76	142907		BOLT SHOULD 44785
77	142908		ARM FREEWHL 44786
78	142909		SEAL.OIL.44761
81	142910		BOLT 5/16 43084
82	142911		BOLT 5/16 44820
89	142912		FILTER SPIN 50037
91	142913		SUB= 144576
95	142914		PLUG.9005110-5600
99	142915		SUB= 142904
103	142916		WASHER.50169
104	142917		CAP.VENT.70109
106	142918		O-RING.ASM.70110
108	142919		ARM.CONTROL.45007
109	142920		SCREW.SET.50018.
110	142921		FILTER.HEAD.50207
111	142922		HOSE.5/16.50208.
113	142923		FITTING.SAE.50210
116	142924		FITTING.SAE.50213
117	142925		FITTING.SAE.50249
118	142926		FITTING.MAL.50251
119	142927		FITTING.FEM.50250
121	142928		RING.RET.2003016.

### ROPER GT TRACTOR—MODEL NUMBERS GTK181AR AND GTK181AT TRANSAXLE

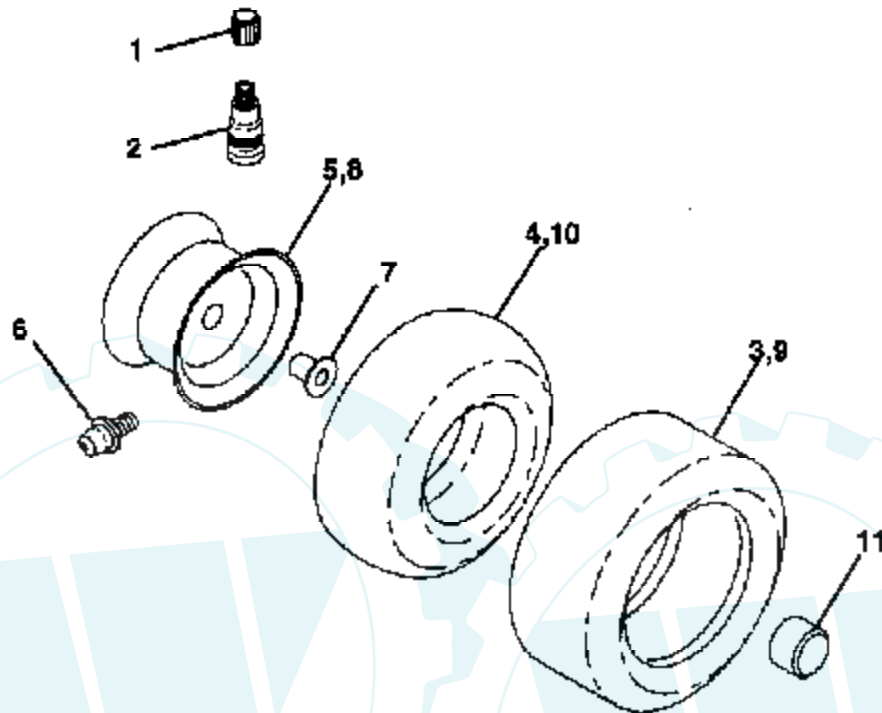


Ref #	Part Number	Qty	Description
1	4197R		SHAFT.AXLE.T
2	5845R		SUB= 12000034
3	4199R		FINAL GEAR T
4	4216R		DIFF GEAR T
5	4215R		DIFF PINION T
6	4217R		DIFF CARRIER T
7	6256H		WASHER T
8	74020652		BOLT
9	7392M		SUB= 100482K
10	6272H		SUB= 145359
11	4985R		SHIFT FORK T
12	6266H		WASHER .T
13	4212R		RED PINION T
14	4196R		GEAR SHAFT T
15	6276H		SNAP RING T
16	633A63		GEAR T
17	8118M		"T, BEARING"
18	8740H1		BEARING
19	6217H		SUB= 122238X
20	4218R		SPACER T
21	6252H1		PINION RS
22	7810H		GRIPCO NUT
23	4986R		SHIFT FORK T
24	7393R		OIL SEAL STD
25	992R1		BRNG. T
26	6216H		SHAFT T
27	6262H		FORK T
28	101416X		SHIFT SHAFT GTV
29	6269H		SEAL T
30	5855H		VALVE M
31	105406X		SUB= 122162X
32	6277H		PIN T
33	4225R		NEEDLE BRNG T
34	7396H		RACE T
35	4198R		GEAR SHAFT T
36	4200R		SUB= 532004200
37	7395H		RACE T
38	6275H		SUB= 121878X
39	105402X		SUB= 122163X
40	13060400		SUB= 13320400
45	6271H		SEAL T
46	13060200		SUB= 13020200
47	74780524		HEX BOLT
48	10140500		SUB= 10040500
49	4895H		"TI, BEARING"
50	4222R		NEEDLE BRNG T
51	1529R		NEEDLE BRNG T
52	8119M		"STD, BEARING"
53	4220R		BRNG RACE
54	4209R		RED PINION T
55	4213R		RED GEAR T
56	4442R		PINION SPACER T
57	4195R		GEAR SHAFT T
58	4214R		FINAL PINION T
59	4194R		GEAR SHAFT T
60	7528R		SPACER T
61	4208R		RED PINION T
62	4207R		RED GEAR T

Ref #	Part Number	Qty	Description
63	7398H		RACE T
64	4203R		LOW SPEED GEA T
65	4204R		REVERSE GEAR T
66	2898J		KEY T
67	4926H		RING STD
68	4205R		INTERMED GEAR T
69	4206R		SUB= 532004206
70	1370H		"T, BEARING"
71	633A69		CLUSTER GEAR T
72	208J		INPUT SHAFT T
73	4201R		LO SPEED PINION T
74	12000002		SUB= 2225J
75	1153R		IDLER GEAR T
76	7392H		WASHER T
77	3990H		BRNG T
78	73220500		NUT.HEX.5/16-18
79	1167R		WASHER T
80	73360700		NUT
81	6270H		SEAL STD
82	7384H		SHAFT T
83	100196K		SUB= 106932X
84	5384J		GEAR SHIFT LVR T
85	2978J		CAP T
86	633A85		COVER AND PIN T
87	8739H1		GUIDE BALL T
88	4924H		SPRING TI
89	19151516		WASHER
90	110542X		SEAL T
91	19181511		WASHER
92	75J		GEAR SHIFT GA T
93	6274H		GASKET T
94	76020412		COTTER PIN
95	10040500		LOCKWASHER
96	74760514		BOLT
97	633A109		GEAR SHFT LVR T
98	105474X		TRANSAXLE GTV

# 20 HP 50" TRACTOR - - MODEL NUMBER AYP8228A49

## WHEELS & TIRES



**NOTE:** All component dimensions given in U.S. inches  
1 inch = 25.4 mm

Ref #	Part Number	Qty	Description
1	59192		VALVE CAP
2	65139		VALVE STEM LT
3	106230X		SUB= 122075X
4	8134H		TUBE.16X6.5/7.5-8
5	106228X427		"RIM ASM 8"" FRT"
6	6856M		ZERK FITTING M
7	9040H		"FLANGE, BEARING"
8	106277X427		"RIM ASM 12"" REAR"
9	105588X		SUB= 122077X
10	7154J		TUBE.23X8/10-12
11	104757X		HUB CAP

