

STIGA

Multiclip 747 SD (2023)

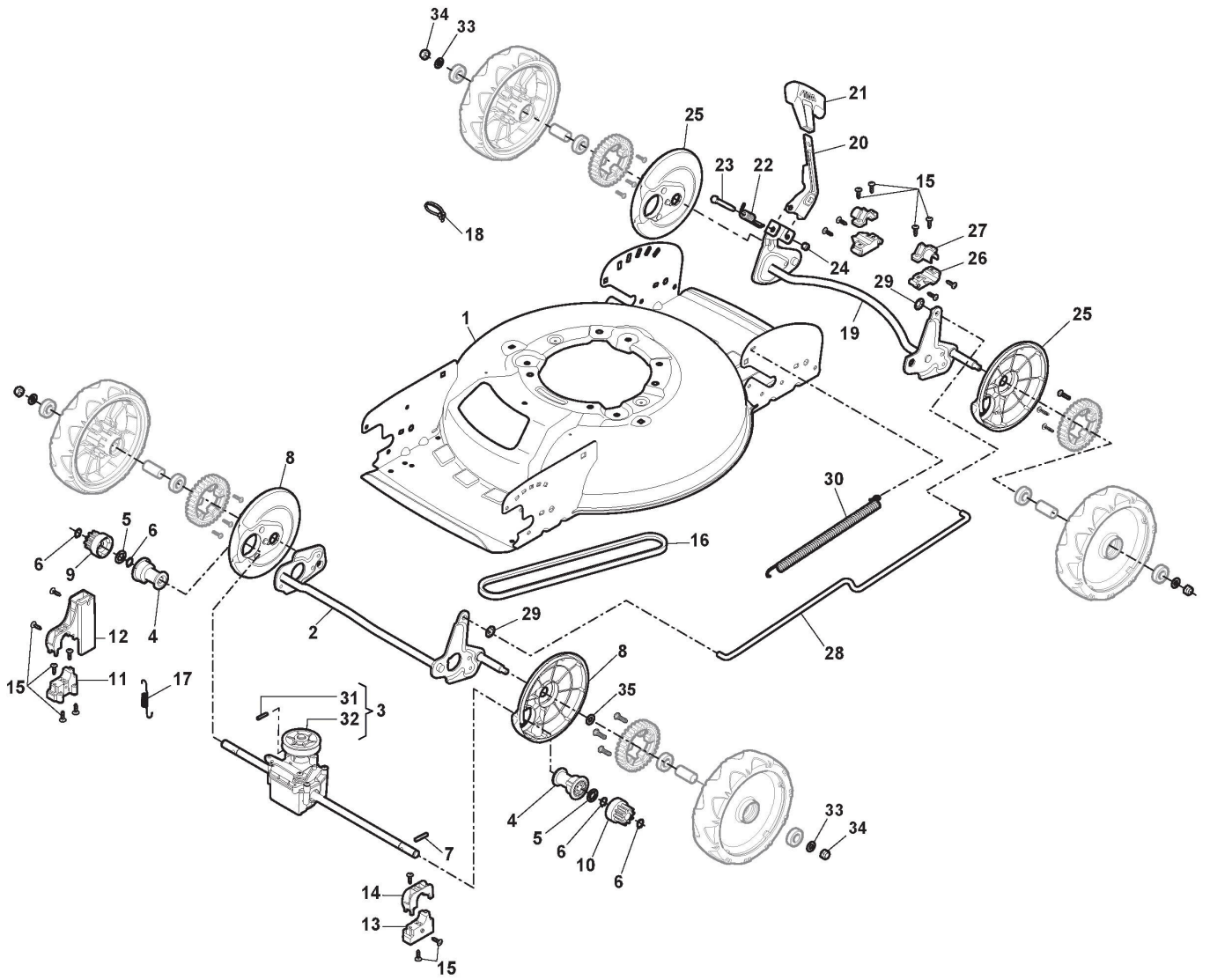
298472848/ST2

Spare parts list Reservdelar Repuestos Ersatzteile Pièces détachées Reserve onderdelen Catalogo ricambi



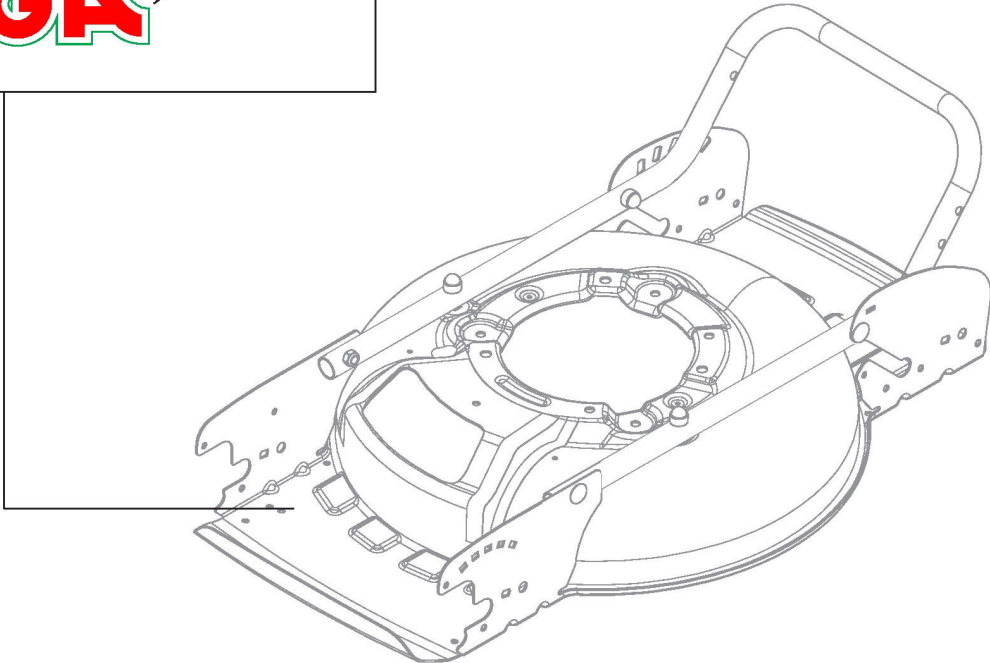
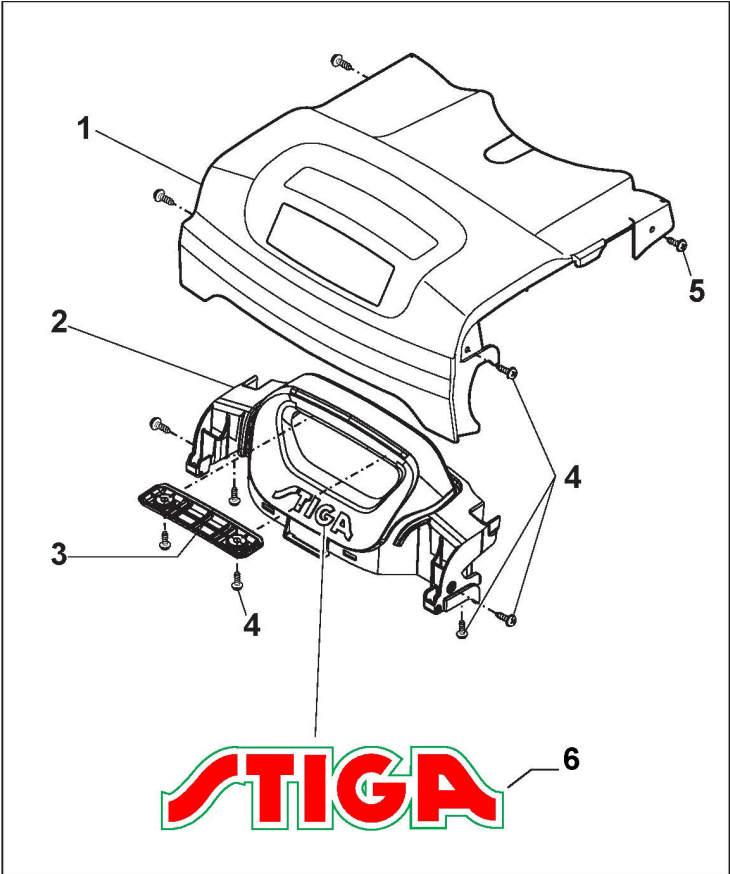
- Use ST. S.p.A. Genuine Spare Parts specified in the parts list for repair and/or replacement.
- The contents described in the parts list may change due to improvement.
- The drawings of the spare parts are only indicative And might Not represent the part in question exactly.
- The indications "right" - "left" - "front" - "rear" refer to the position of the operator when using the machine.
- When placing orders of parts for repair And/Or replacement, make sure that the illustrated parts list Is the one applying to the machine's year of manufacture, as shown on the identification plate attached to the machine.

All rights reserved. No part Of this material may be reproduced Or transmitted, in any form Or by any means, electronic Or mechanical, including photocopying, recording Or by any information storage And retrieval system, without permission in writing from ST. S.p.A.



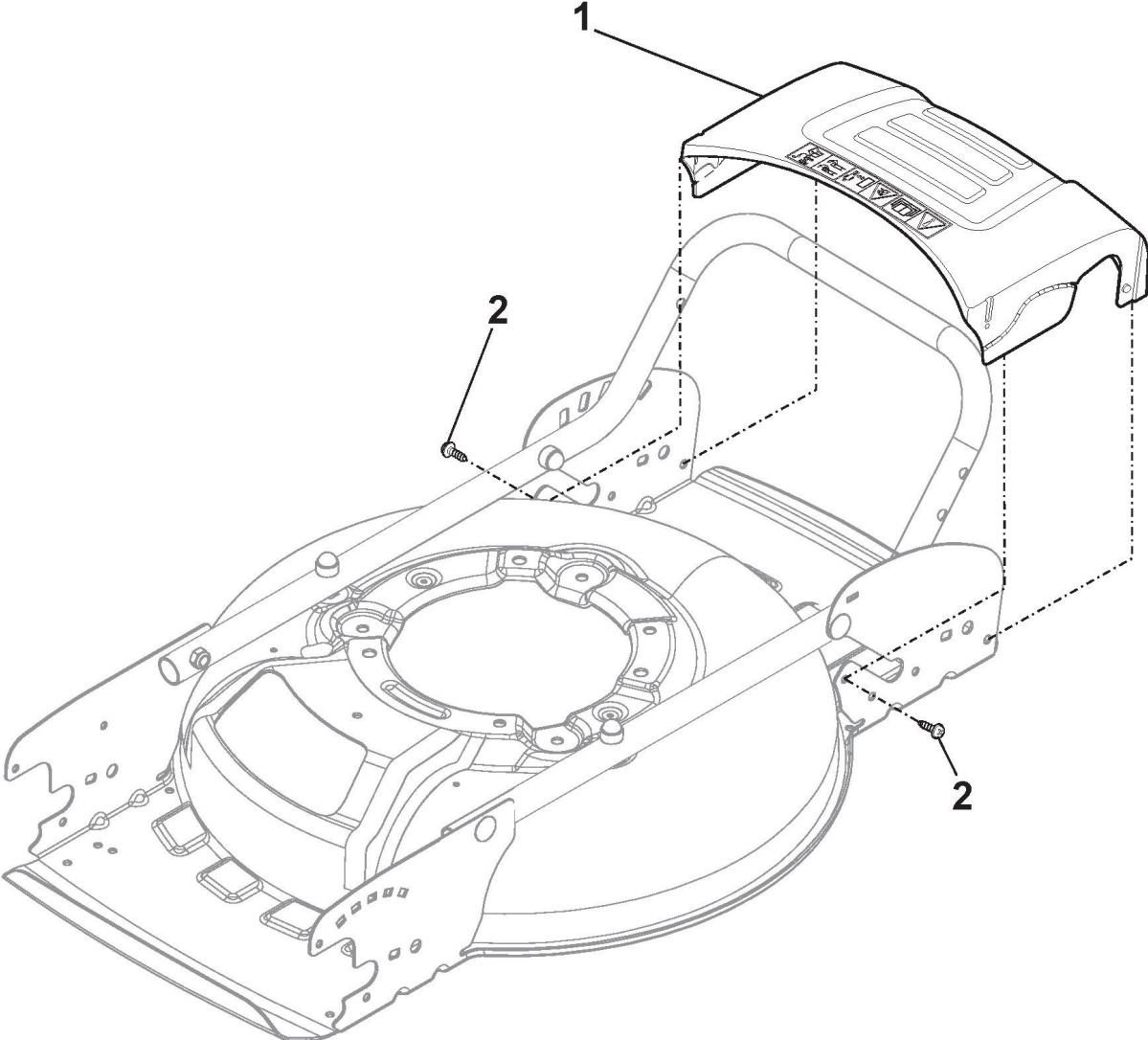
Gehäuse Und Schnittverstellung

| Bild Nr. | Anzahl | Teilenummer | Beschreibung | Hinweis | Von | Bis |
|----------|--------|-------------|--------------------------------|----------------|-----|-----|
| 1 | 1 | 381004782/1 | Gehäuse Grau | Side Discharge | | |
| 2 | 1 | 381302877/0 | Achse, Vorderrad | | | |
| 3 | 1 | 181003126/0 | Antrieb Set | | | |
| 4 | 2 | 322042066/0 | Büchse | | | |
| 5 | 2 | 112521371/0 | Scheibe | | | |
| 6 | 4 | 112608600/0 | Seeger | | | |
| 7 | 2 | 122753000/0 | Stift | | | |
| 8 | 2 | 322600204/0 | Schütz, Räder | | | |
| 9 | 1 | 122570110/1 | Ritzel Rechtes | Metal | | |
| 9 | 1 | 322570138/0 | Ritzel Rechtes | Plastic | | |
| 10 | 1 | 122570120/1 | Ritzel Linkes | Metal | | |
| 10 | 1 | 322570139/0 | Ritzel Linkes | Plastic | | |
| 11 | 1 | 322785476/0 | Halter | | | |
| 12 | 1 | 322785477/1 | Halter | | | |
| 13 | 1 | 322785478/0 | Halter | | | |
| 14 | 1 | 322785479/0 | Halter | | | |
| 15 | 19 | 112728697/0 | Schraube | | | |
| 16 | 1 | 135063801/0 | Keilriemen | | | |
| 17 | 1 | 122450437/0 | Feder | | | |
| 18 | 1 | 133320022/0 | Rohrschelle | | | |
| 19 | 1 | 381302879/0 | Achse, Hinterrad | | | |
| 20 | 1 | 322322857/0 | Hebel, Höheverstellung | | | |
| 21 | 1 | 322394528/0 | Griff | | | |
| 22 | 1 | 122446192/0 | Feder | | | |
| 23 | 1 | 122534131/0 | Bolzen | | | |
| 24 | 1 | 112154510/0 | Mutter | | | |
| 25 | 2 | 322600204/0 | Schütz, Räder | | | |
| 26 | 2 | 322785474/0 | Halter | | | |
| 27 | 2 | 322785475/0 | Sektor, Höheverstellung | | | |
| 28 | 1 | 122033332/0 | Verstellungstange | | | |
| 29 | 2 | 112604899/0 | Kronescheibe | | | |
| 30 | 1 | 122446184/0 | Feder | | | |
| 31 | 1 | 112645705/0 | Stift | | | |
| 32 | 1 | 122601921/0 | Riemenscheibe, Motorwelle Ø 25 | | | |
| 33 | 4 | 112521350/0 | Scheibe | | | |
| 34 | 4 | 112155015/0 | Mutter | | | |
| 35 | 4 | 122671661/0 | Scheibe | | | |



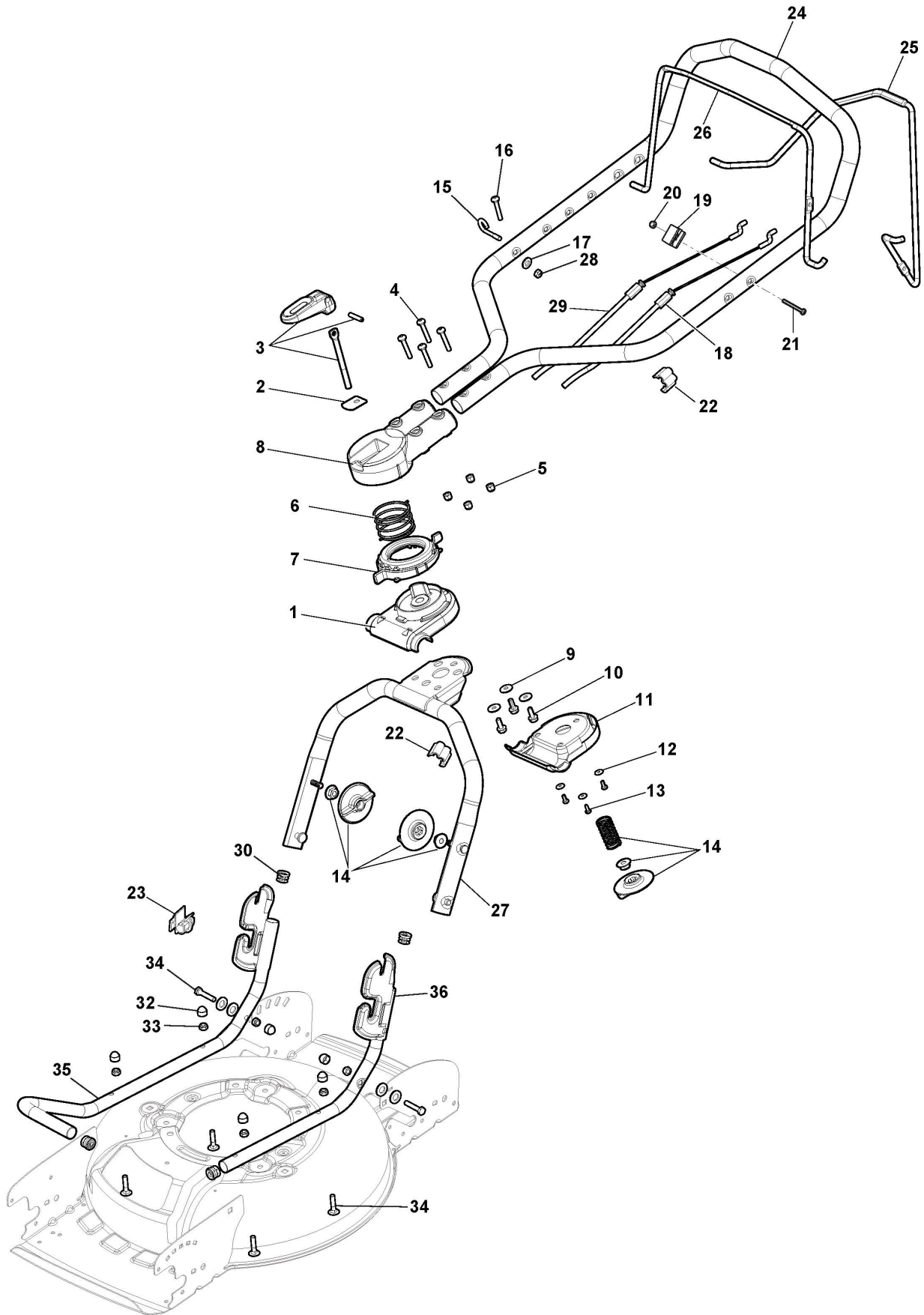
Maske

| Bild Nr. | Anzahl | Teilenummer | Beschreibung | Hinweis | Von | Bis |
|----------|--------|-------------|--------------------|---------|-----------|-----|
| 1 | 1 | 381390126/0 | Deckel | | | |
| 2 | 1 | 322393739/0 | Griff | | | To |
| 2 | 1 | 322393739/1 | Griff | | From | |
| 3 | 1 | 322393659/0 | Griff, Unterteil | | 01-Septem | |
| 4 | 8 | 112728697/0 | Schraube | | ber-2017 | |
| 5 | 2 | 112728124/0 | Schraube | | | |
| 6 | 1 | 114367494/2 | Etikett STIGA logo | | | |



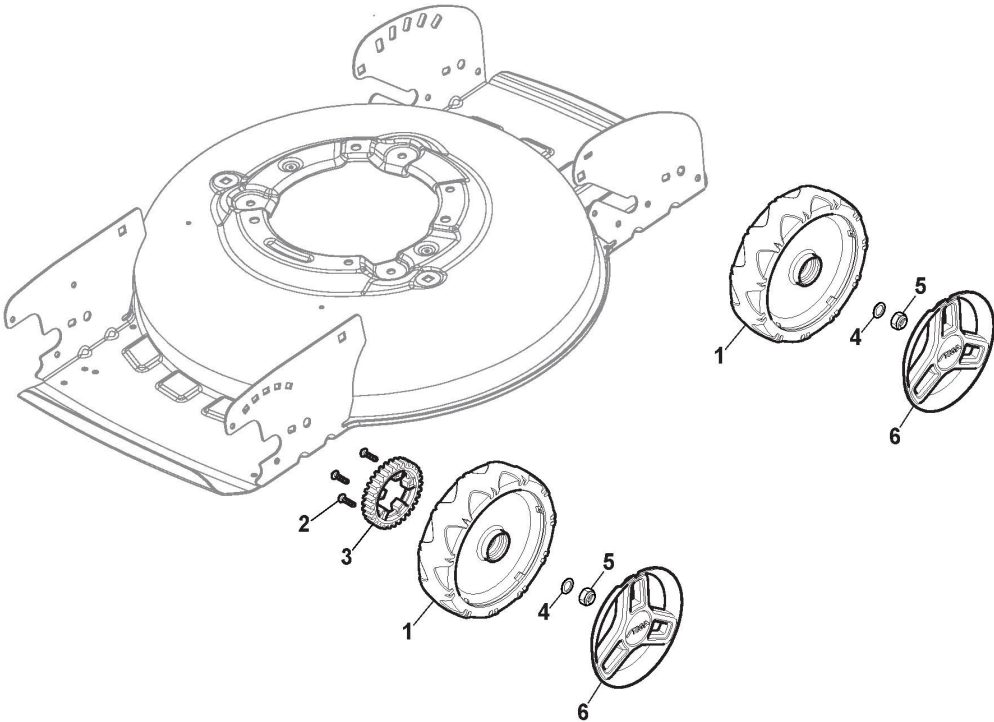
Hintere Abdeckung

| Bild Nr. | Anzahl | Teilenummer | Beschreibung | Hinweis | Von | Bis |
|----------|--------|-------------|--------------|---------|-----|-----|
| 1 | 1 | 322055258/0 | Haube | | | |
| 2 | 2 | 112728697/0 | Schraube | | | |



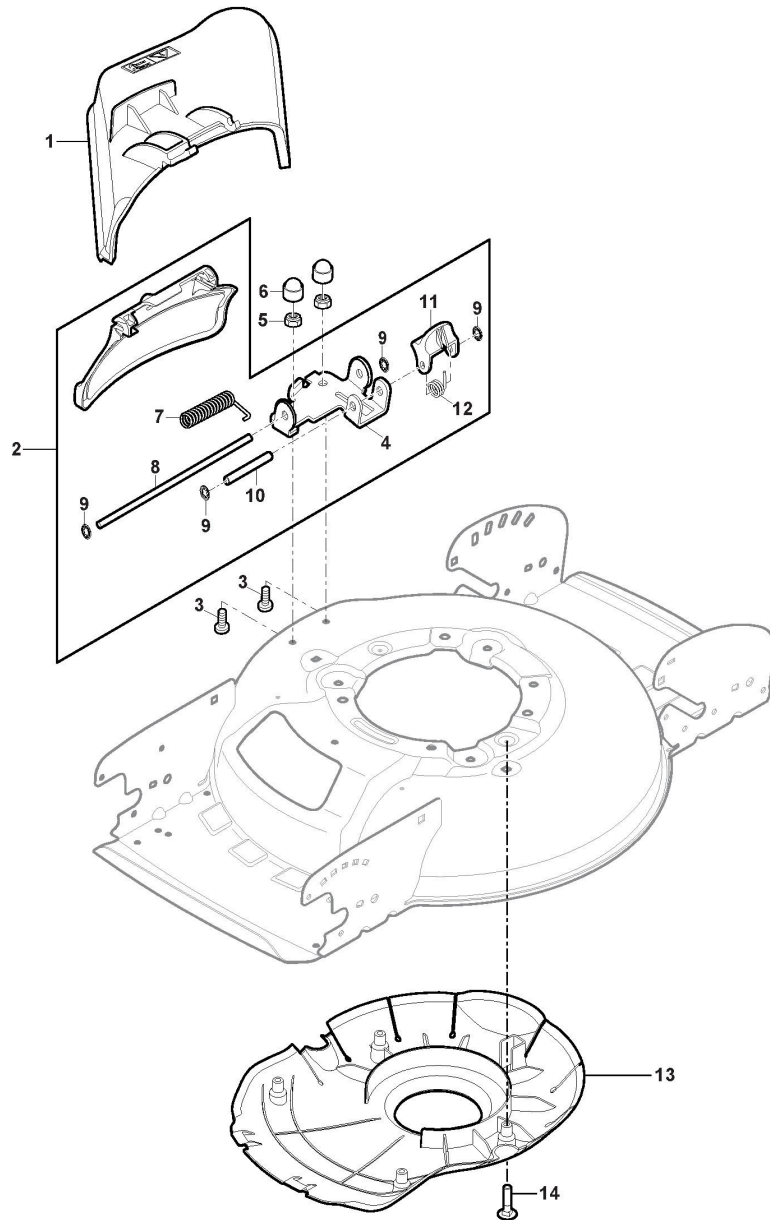
Holm

| Bild Nr. | Anzahl | Teilenummer | Beschreibung | Hinweis | Von | Bis |
|----------|--------|-------------|--------------------------------|--|-----|-----|
| 1 | 1 | 381005275/0 | Unterer Griff Obere Abdeckung | | | |
| 2 | 1 | 322981479/0 | Blockplatte | | | |
| 3 | 1 | 381103382/1 | Satz Hebel | | | |
| 4 | 4 | 112735660/0 | Schraube | | | |
| 5 | 4 | 112154520/0 | Mutter | | | |
| 6 | 1 | 122450498/0 | Drehpunktfeder handhaben | | | |
| 7 | 1 | 322245070/0 | Griffdrehpunktflansch | | | |
| 8 | 1 | 381005277/0 | Drehpunkt des oberen Griffs | | | |
| 9 | 3 | 112523040/0 | Scheibe | | | |
| 10 | 3 | 112735599/0 | Schraube | | | |
| 11 | 1 | 322570217/0 | Unterer Griff Untere Abdeckung | | | |
| 12 | 3 | 112523000/1 | Scheibe | | | |
| 13 | 3 | 112728210/0 | Schraube | | | |
| 14 | 1 | 381108620/0 | Satz Knöpfe | | | |
| 15 | 1 | 122430323/0 | Feder | Not for model with electric start | | |
| 16 | 1 | 112727799/0 | Schraube | Not for model with electric start | | |
| 17 | 1 | 112521330/0 | Scheibe | Not for model with electric start | | |
| 18 | 1 | 381030160/0 | Kupplungsseil | | | |
| 19 | 1 | 322551684/0 | Kabelhalter ø25 | | | |
| 20 | 1 | 112154510/0 | Mutter | | | |
| 21 | 1 | 112727783/0 | Schraube | | | |
| 22 | 2 | 118390020/0 | Kabelbefestigung | | | |
| 23 | 1 | 133320504/0 | Kabelbefestigung | Only for self propelled electric start | | |
| 24 | 1 | 381007690/0 | Holm Oberteil, Gelb | | | |
| 25 | 1 | 181103525/0 | Hebel Antrieb, Schwarz | | | |
| 26 | 1 | 181103526/0 | Bremshebell | | | |
| 27 | 1 | 381007694/0 | Holm Mittelteil, Gelb | | | |
| 28 | 1 | 112154510/0 | Mutter | Not for model with electric start | | |
| 29 | 1 | 181030054/0 | Kabel, Motorbremse | | | |
| 30 | 4 | 118566110/0 | Gummistopfen | | | |
| 32 | 6 | 118203854/0 | Haube | | | |
| 33 | 6 | 112155000/0 | Mutter | | | |
| 34 | 6 | 112818900/0 | Schraube | | | |
| 35 | 1 | 381007702/0 | Holm Unterteil Recht, Gelb | | | |
| 36 | 1 | 381007704/0 | Holm Unterteil Links, Gelb | | | |



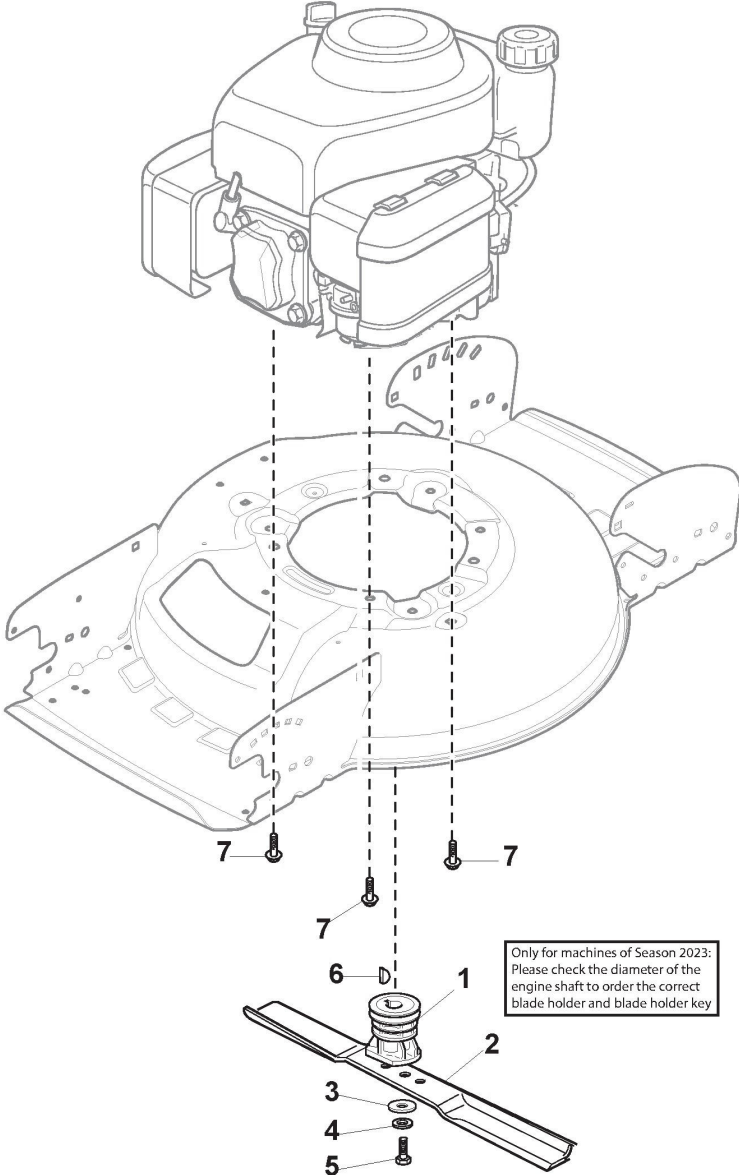
Rad und Radkappe

| Bild Nr. | Anzahl | Teilenummer | Beschreibung | Hinweis | Von | Bis |
|----------|--------|-------------|----------------|---------|-----|-----|
| 1 | 4 | 381007450/1 | Rad - Long Hub | | | |
| 2 | 6 | 112728706/0 | Schraube | | | |
| 3 | 2 | 322120116/0 | Kranz | | | |
| 4 | 4 | 112521350/0 | Scheibe | | | |
| 5 | 4 | 112155000/0 | Mutter | | | |
| 6 | 4 | 322110744/0 | Radkappe Grau | | | |



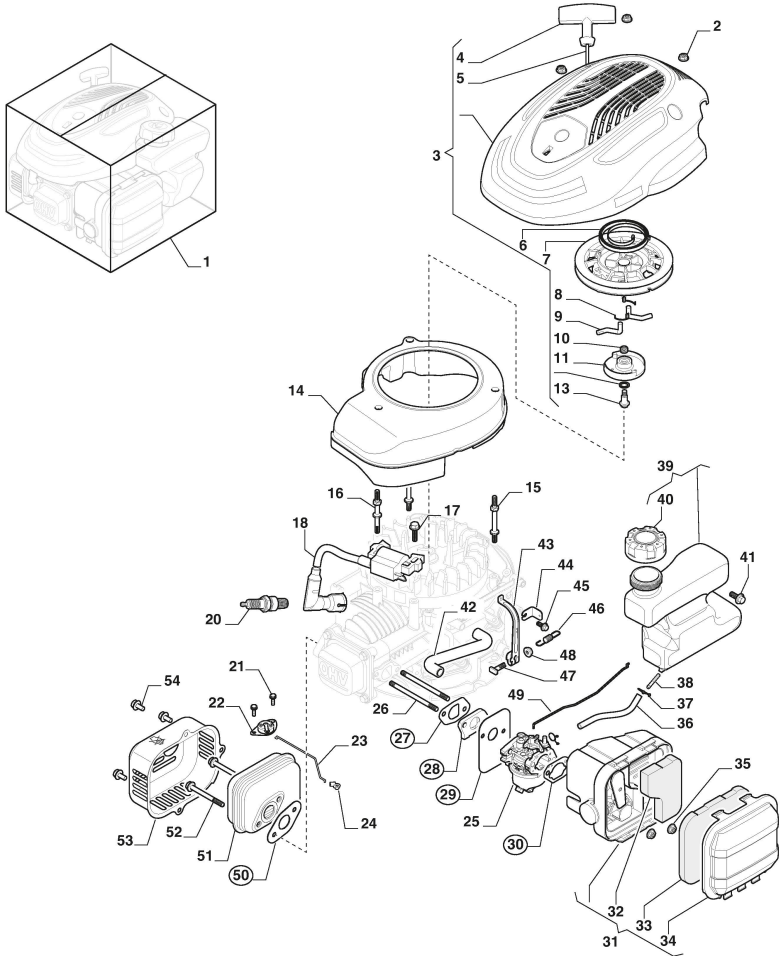
Auswureschutz

| Bild Nr. | Anzahl | Teilenummer | Beschreibung | Hinweis | Von | Bis |
|----------|--------|-------------|-------------------|---------|-----------|---------|
| 1 | 1 | 322108314/0 | Leitblechsatz | | | |
| 2 | 1 | 381008160/0 | Auswurfschutz Set | | | To |
| 2 | 1 | 381008160/1 | Auswurfschutz Set | | From | |
| 3 | 2 | 112727803/0 | Schraube | | 01-Novemb | er-2018 |
| 4 | 1 | 322806659/0 | Gelenkpunkt | | | |
| 5 | 2 | 112154510/0 | Mutter | | | |
| 6 | 2 | 118203853/0 | Haube | | | |
| 7 | 1 | 122450456/0 | Feder | | | To |
| 7 | 1 | 122450456/1 | Feder | | From | |
| 8 | 1 | 122517869/1 | Bolzen | | 01-Novemb | er-2018 |
| 9 | 4 | 112604896/0 | Kronescheibe | | | |
| 10 | 1 | 122517876/0 | Bolzen | | | |
| 11 | 1 | 322783013/0 | Druckknopf | | | |
| 12 | 1 | 122450493/0 | Feder | | | |
| 13 | 1 | 322060269/0 | Schutz Mulching | | | |
| 14 | 4 | 112728903/0 | Schraube | | | |



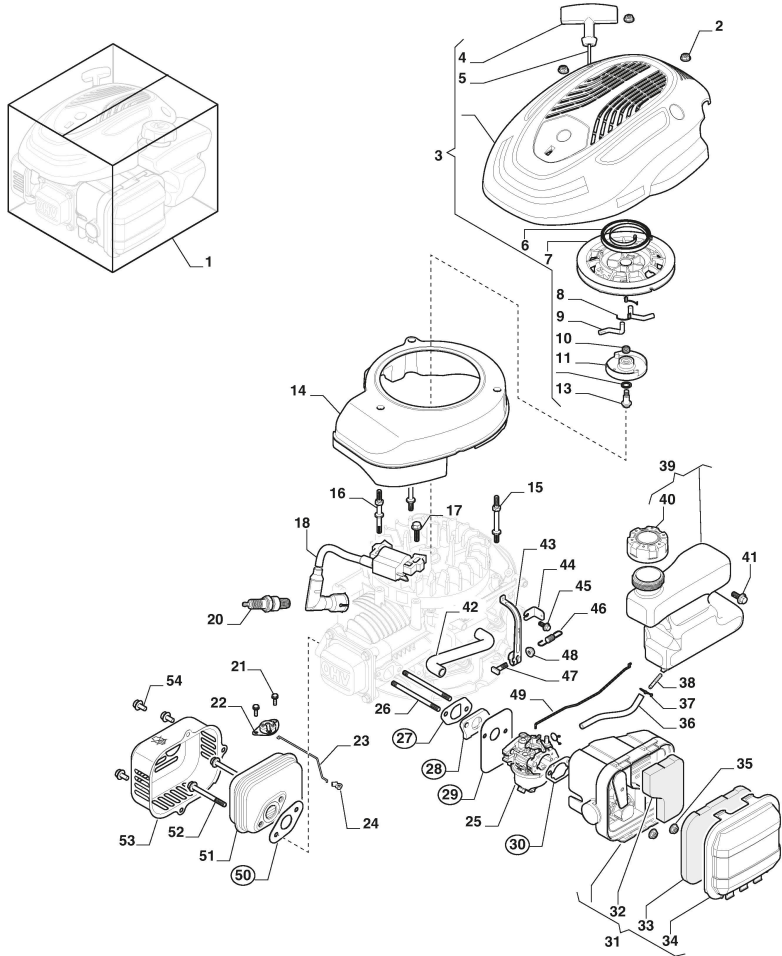
Schneidwerkzeug (Messer)

| Bild Nr. | Anzahl | Teilenummer | Beschreibung | Hinweis | Von | Bis |
|----------|--------|-------------|-------------------------------------|----------------|--------------------------------|------------------------------|
| 1 | 1 | 122465607/3 | Nabe Mit Scheibe, Motorwelle Ø 22.2 | ST./B&S Engine | | To 31-January- 2019 |
| 1 | 1 | 122465607/4 | Nabe Mit Scheibe, Motorwelle Ø 22.2 | ST./B&S Engine | From 01-Februar | |
| 1 | 1 | 122465608/2 | Nabe Mit Scheibe, Motorwelle Ø 25 | Honda Engine | | To 30-Septem- ber-2018 |
| 1 | 1 | 122465608/3 | Nabe Mit Scheibe, Motorwelle Ø 25 | Honda Engine | From 01-October- | |
| 2 | 1 | 181004158/0 | Mulching Klinge | | | |
| 3 | 1 | 112523080/0 | Scheibe | | | To |
| 3 | 1 | 322680021/0 | Scheibe | | From 01-Septem- ber-2016 | To |
| 4 | 1 | 112508125/0 | Federscheibe | | From 01-October- 2018 | |
| 4 | 1 | 112508128/0 | Federscheibe | | | |
| 5 | 1 | 112735698/0 | Schraube | | | |
| 6 | 1 | 112139100/0 | Schlüssel | ST./B&S Engine | | |
| 6 | 1 | 112139150/0 | Keil, Motorwelle Ø 25 | Honda Engine | | |
| 7 | 3 | 112735108/1 | Schraube | | | |



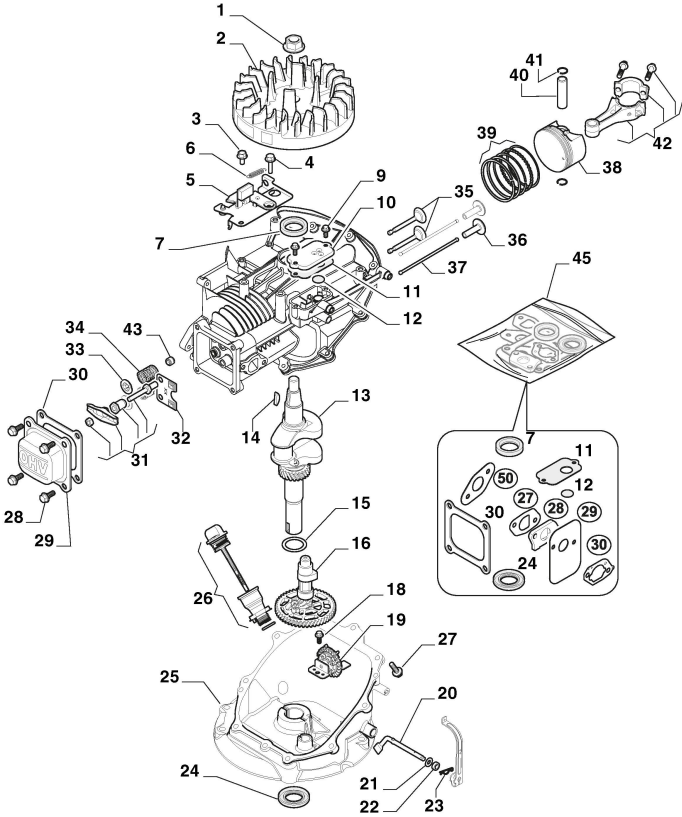
Motor - Vergaser, Tank

| Bild Nr. | Anzahl | Teilenummer | Beschreibung | Hinweis | Von | Bis |
|----------|--------|--------------|-----------------------|---------|-----|-----|
| 1 | 1 | 118552685/0 | Motor Komplett ST140 | | | |
| 2 | 3 | 112292102/0 | Mutter | | | |
| 3 | 1 | 118552628/0 | Set Starter | | | |
| 4 | 1 | 118551619/0 | Griff Starter | | | |
| 5 | 1 | 118550779/0 | Seil Starter | | | |
| 6 | 1 | 118551621/0 | Feder Starter | | | |
| 7 | 1 | 118551620/0 | Riemenscheibe Starter | | | |
| 8 | 2 | 118551626/0 | Feder | | | |
| 9 | 2 | 118551622/0 | Ratchet, Starter | | | |
| 10 | 1 | 118551625/0 | Feder | | | |
| 11 | 1 | 118551623/0 | Deckel | | | |
| 13 | 1 | 118551624/0 | Stud | | | |
| 14 | 1 | 118550908/0 | Lufführung | | | |
| 15 | 2 | 118550907/0 | Bolzen | | | |
| 16 | 1 | 118550906/0 | Bolzen | | | |
| 17 | 1 | 112791500/0 | Schraube | | | |
| 18 | 1 | 118551475/0 | Elektronikspule | | | |
| 20 | 1 | 9400-0244-00 | Zündkerze | | | |
| 21 | 2 | 112789000/0 | Schraube | | | |
| 22 | 1 | 118551456/0 | Starter Betaetigung | | | |
| 23 | 1 | 118551459/0 | Tige | | | |
| 24 | 1 | 118551352/0 | Sperrung | | | |
| 25 | 1 | 118551451/1 | Vergaser | | | |
| 26 | 2 | 118550930/0 | Stiftschraube | | | |
| 27 | 1 | 118550929/0 | Dichtung | | | |
| 28 | 1 | 118552513/0 | Thermoisolierung | | | |
| 29 | 1 | 118550927/0 | Dichtung | | | |
| 30 | 1 | 118550924/0 | Dichtung | | | |
| 31 | 1 | 118551461/0 | Luftfilter | | | |
| 32 | 1 | 118550946/0 | Filterelement | | | |
| 33 | 1 | 118550945/0 | Filterelement | | | |
| 34 | 1 | 118550944/0 | Luftfilterdeckel | | | |
| 35 | 2 | 112292102/0 | Mutter | | | |
| 36 | 1 | 118551481/0 | Kraftstoffleitung | | | |
| 37 | 2 | 118550918/0 | Rohrschelle | | | |
| 38 | 1 | 118550314/0 | Treibstofffilter | | | |
| 39 | 1 | 118551454/0 | Tank | | | |
| 40 | 1 | 118550943/1 | Tankeinfüllstopfen | | | |
| 41 | 2 | 112792099/0 | Schraube | | | |
| 42 | 1 | 118550920/0 | Entlüfterrohr | | | |
| 43 | 1 | 118550933/0 | Hebel | | | |
| 44 | 1 | 118550931/0 | Platte | | | |
| 45 | 1 | 112789000/0 | Schraube | | | |
| 46 | 1 | 118550932/0 | Feder | | | |
| 47 | 1 | 118550805/0 | Schraube | | | |
| 48 | 1 | 118550806/0 | Mutter | | | |
| 49 | 1 | 118550925/0 | Reglerzugstange | | | |
| 50 | 1 | 118550898/0 | Schalldämpferdichtung | | | |



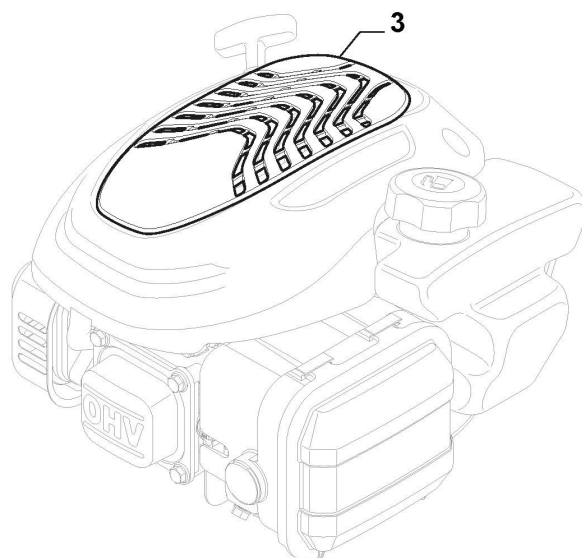
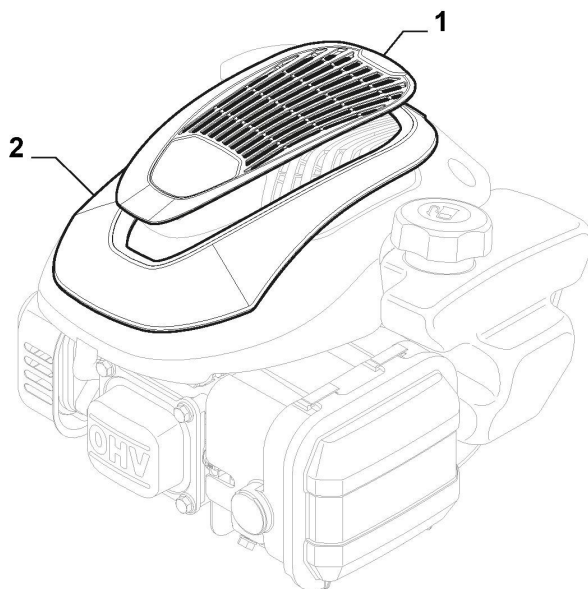
Motor - Vergaser, Tank

| Bild Nr. | Anzahl | Teilenummer | Beschreibung | Hinweis | Von | Bis |
|----------|--------|-------------|---------------------|---------|-----|-----|
| 51 | 1 | 118551464/0 | Schalldämpfer | | | |
| 52 | 2 | 112792425/0 | Schraube | | | |
| 53 | 1 | 118550900/0 | Schalldämpferschutz | | | |
| 54 | 3 | 118551277/0 | Bolzen | | | |



Motor - Kolben, Motorwelle

| Bild Nr. | Anzahl | Teilenummer | Beschreibung | Hinweis | Von | Bis |
|----------|--------|-------------|-----------------------------------|---------|-----|-----|
| 1 | 1 | 118550336/0 | Mutter | | | |
| 2 | 1 | 118550905/0 | Schwungrad Magnet | | | |
| 3 | 1 | 118551277/0 | Bolzen | | | |
| 4 | 1 | 112791500/0 | Schraube | | | |
| 5 | 1 | 118552644/0 | Bremse | | | |
| 6 | 1 | 118550911/0 | Feder | | | |
| 7 | 1 | 118550300/0 | Dichtring | | | |
| 9 | 2 | 112789000/0 | Schraube | | | |
| 10 | 1 | 118550904/0 | Deckel | | | |
| 11 | 1 | 118550903/0 | Dichtungen | | | |
| 12 | 1 | 118550902/0 | Ventil | | | |
| 13 | 1 | 118552717/0 | Set Motorwelle | | | |
| 14 | 1 | 118550288/0 | Schwungrad Schlüssel | | | |
| 15 | 1 | 118550283/0 | Scheibe | | | |
| 16 | 1 | 118550890/0 | Nockenwelle | | | |
| 18 | 1 | 112789000/0 | Schraube | | | |
| 19 | 1 | 118550888/0 | Satz Drezahlregler | | | |
| 20 | 1 | 118550936/0 | Vergaserleistungshebelgestänge | | | |
| 21 | 1 | 118550666/0 | Scheibe | | | |
| 22 | 1 | 118550935/0 | Dichtring | | | |
| 23 | 1 | 118550856/0 | Split | | | |
| 24 | 1 | 118552654/0 | Dichtring | | | |
| 25 | 1 | 118551209/1 | Motorgehäuse | | | |
| 26 | 1 | 118550887/0 | Satz Ölstopfen | | | |
| 27 | 10 | 112791500/0 | Schraube | | | |
| 28 | 4 | 118552646/0 | Schraube | | | |
| 29 | 1 | 118552577/0 | Ventilabdeckung | | | |
| 30 | 1 | 118550892/0 | Dichtung | | | |
| 31 | 2 | 118550893/0 | Satz Kipphebel | | | |
| 32 | 1 | 118550894/0 | Platte | | | |
| 33 | 2 | 118550895/0 | Sperrung | | | |
| 34 | 2 | 118550896/0 | Feder | | | |
| 35 | 1 | 118550910/0 | Satz Ansaugventil + Abflussventil | | | |
| 36 | 2 | 118550291/0 | Satz Ventilheber | | | |
| 37 | 2 | 118550912/0 | Stange | | | |
| 38 | 1 | 118552551/0 | Kolben | | | |
| 39 | 1 | 118552553/0 | Set Elastische Ringe | | | |
| 40 | 1 | 118550915/0 | Kolbenbolzen | | | |
| 41 | 2 | 118550914/0 | Anschlag Zapfen | | | |
| 42 | 1 | 118550916/0 | Set Pleuelstange | | | |
| 43 | 2 | 118551117/0 | Dichtung | | | |
| 45 | 1 | 118550940/0 | Satz Dichtungen Motor | | | |



Motorhaube

| Bild Nr. | Anzahl | Teilenummer | Beschreibung | Hinweis | Von | Bis |
|----------|--------|-------------|-------------------|---------|-----|-----|
| 1 | 1 | 322055629/0 | Couvre Gris | | | |
| 2 | 1 | 322055630/0 | Protecteur, Jaune | | | |
| 3 | 1 | 322055627/0 | Couvre Gris | | | |