



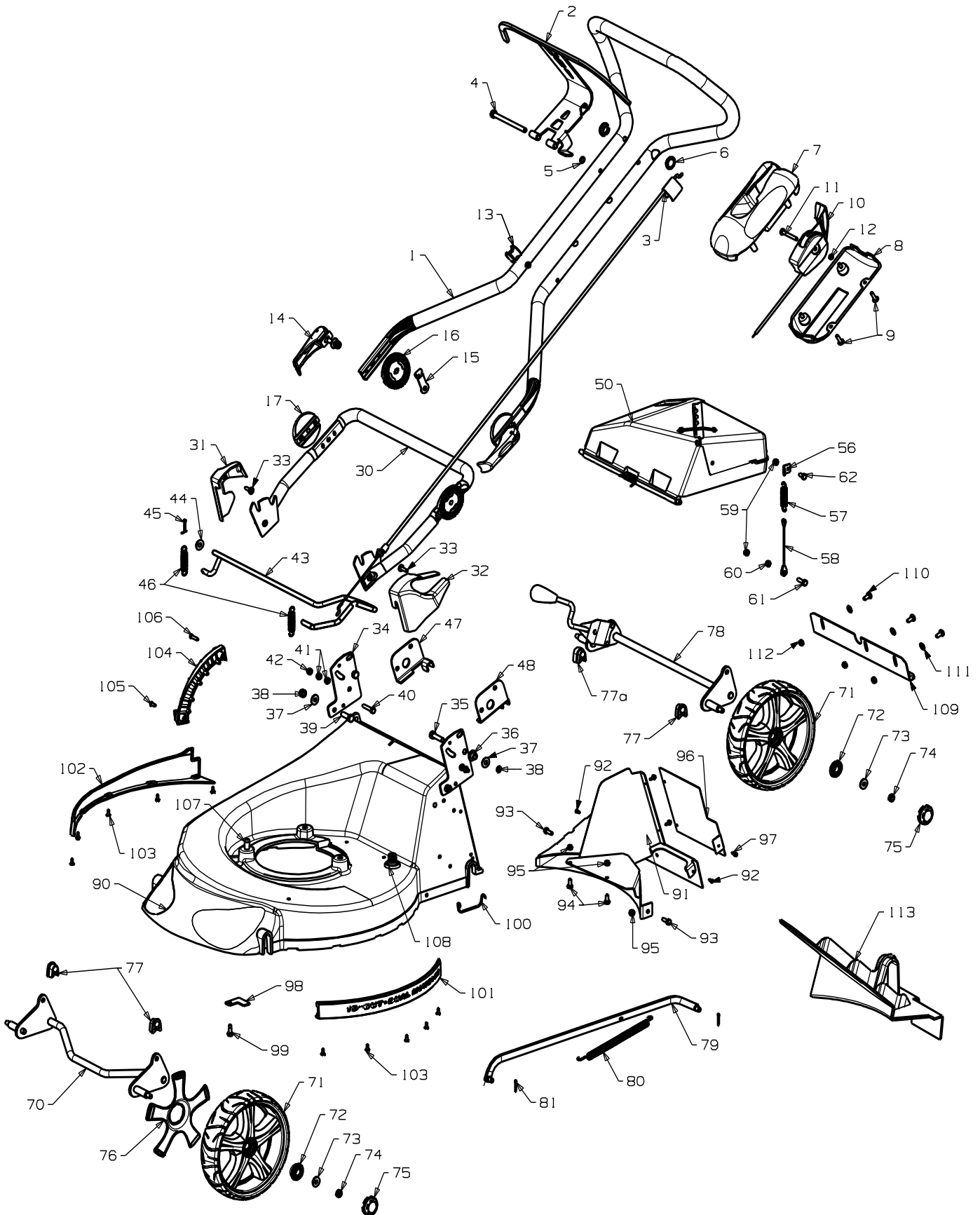
	<u>Part number</u>	<u>Model</u>	<u>Engine</u>
HERKULES	15433	MA 48 D	B & S Series 750 DOV

Month and Year of First Manufacture - March 2011
Starting Serial Number - 7344930





Powered by:
Ma 48 D : B & S Series 750 DOV





Powered by:
Ma 48 D : B & S Series 750 DOV



Issue A.1
May 2011GD
REF # 769984S

Item No	Part No	Description	Qty	Item No	Part No	Description	Qty
1	779071	Handle& Sleeve, Upt, Adj 19"	1	59	501764	Nut, M6 Nylocx 6 Thck	2
2	979278	Bail Arm Assy, OPC MSV	1	60	501682	Nut, M6	1
3	582516	Cable- Engine, OPC Push On	1	61	501600	Screw, Set M6x20	1
4	503883	Bolt, Hex M8x100	1	62	501959	Screw, Set M6x12	1
5	501793	Nut, M8 Hex Nyloc 8 Thck	1			__==__	
6	503882	Grommet, Blanking 3/4"(19mm)	2	70	983305	Axle Assy, Front 200mm Thrd	1
7	983351	Mount- Throttle, Top	1	71	569701	Wheel Assy- 200mm BB Mag	4
8	583340	Cover- Throttle, Bottom	1	72	551212	Bearing- Wheel, Ball Type	8
9	503650	Screw, S/T #12x11/16" UNC	4	73	501606	Washer, Flat 8x19x1.6	4
10	583458	Control Assy- Throttle, Wescon	1	74	503831	Nut, M8 Hex Nyloc 6 Thck	4
11	503604	Screw, Pan M6x45 Poz ZP	1	75	569702	Hub Cap, Button Mag	4
12	501764	Nut, M6 Nylocx 6 Thck	1	76	569704	Cover- Inner, Wheel	2
13	782546	Comfort Start Kit, 45mm	1	77	580030	Bush- Pivot, Axle	3
14	779755	Cam Lock Assy MSV	2	77a	580668	Bush- Pivot, Axle Rear ST	1
15	581527	Retainer- Clutch Cable	1	78	783302	Axle Assy- Rear, Complete MSV	1
16	581660	Disc- Locking, Outer	2	79	573812	Rod Assy, Connecting 19"	1
17	581659	Disc- Locking, Inner	2	84	580621	Spring, Counter Balance	1
		__==__		85	501056	Pin, Cotter 2.3x16	2
30	979064	Handle- Lower, "U" Adj Lift	1			__==__	
31	582421	Cover- Handle, RH MSV	1				
32	582420	Cover- Handle, LH MSV	1				
33	503650	Screw, S/T #12x11/16" UNC	2				
34	979065	Plate- Mount, Handle	2				
35	501716	Screw, Set M8x35 Hex	2				
36	583334	Spacer- Handle, Lower	2				
37	501606	Washer, Flt 8x19x1.6	4				
38	501793	Nut, M8 Hex Nyloc 8 Thck	4				
39	501598	Screw, Set M8x25 Hex	2				
40	501962	Screw, Set M6x30 Hex	2				
41	501682	Nut, M6 Hex	4				
42	501764	Nut, M6 Nylocx 6 Thck	2				
43	573739	Rod Assy- Adjuster	1				
44	501606	Washer, Flt 8x19x1.6	1				
45	501055	Pin- Cotter	1				
46	580268	Spring- Pedal	2				
47	573438	Bracket- RH, 19/21" AL Aero	1				
48	573437	Bracket- LH, 19/21" AL Aero	1				
		__==__					
50	767060	Flap Assy- Smart Chute Cable	1				
56	569732	Bracket, Smart Chute	1				
57	580268	Spring- Pedal	1				
58	569731	Cable, Smart Chute	1				



Powered by:
Ma 48 D : B & S Series 750 DOV



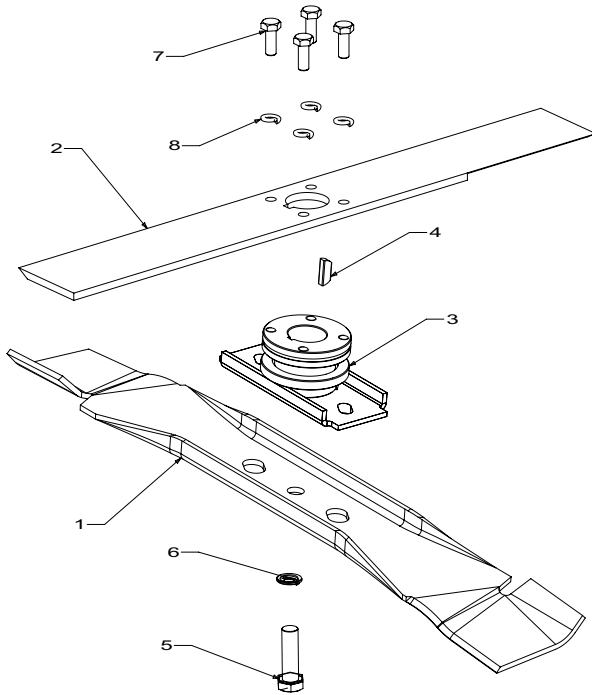
Issue A.1
May 2011GD
REF # 769984S

Item No	Part No	Description	Qty	Item No	Part No	Description	Qty
90	769597	Housing Assy-AliT 19" FS	1				
		WP CO Red, incl items 91-97					
91	571062	*Tunnel Assy, 19" SP/P AL S2	1				
92	503200	*Rivet- Pop 4.8x13	2				
93	501702	*Screw, Set M6x16 Hex	2				
94	501959	*Screw, Set M6x12 Hex	2				
95	501764	*Nut, M6 Hex Nyloc	4				
96	573577	*Tunnel- GBox Cover 19" Ali	1				
97	503630	*Screw, S/T M4x10 Washer	3				
98	983315	Plate- Retainer, Front Axle 19"	2				
99	501599	Screw, S/T 1/4x5/8 Hex	2				
100	580225	Retainer- Axle, Rear Ali	2				
101	579053	Skirt- Side, LH	1				
102	579052	Skirt- Side, RH	1				
103	503834	Screw, S/T M4x10 Wshr Hex	10				
104	582406	Quadrant, Height Selector 19"	1				
105	503660	Rivet- Pop 4.8x9.0	1				
106	503840	Rivet- Pop 4.8x19	1				
107	580453	Screw,S/T 3/8x1-1/8 UNC TRIBLK	3				
108	503783	Cyclowash- Fitting	1				
109	571048	Hook19/21"- Aero Catcher	1				
110	503591	Screw, Pan M6x12	3				
111	501703	Washer, Flt 6x14x1.2	3				
112	501764	Nut, M6 Hex Nyloc	3				
113	573116	Insert- Mulching, 19" Ali	1				
		NOT ILLUSTRATED					
	573519	Owners Manual	1				
	573518	Card- Warranty, Herkules	1				
	569605	Certificate, Confrm Hrk S19 MSV	1				
	569643	Decal, "Arrow"	1				
	573780	Decal, "High Quality"	1				
	569297	Decal, Date Noise Decal	1				
	573749	Decal, Flap- Smart Chute Gmn	1				
	573079	Decal, Front Herkules	1				
	573763	Decal, Height Gen/Combo Gmn	1				
	569626	Decal, Noise Hrk MA48D	1				
	569656	Decal, Hsg Hrk MA48D	1				
	582070	Decal, Serial No	1				
	569606	Sticker, Ctn Hrk S19 MSV	2				
	580778	Stop- Rope	1				
	503054	Tie- Nylon, Cable	4				



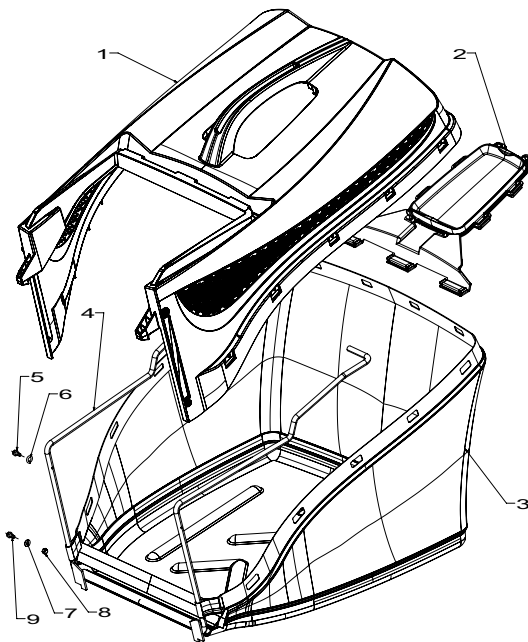
Powered by:
Ma 48 D : B & S Series 750 DOV

485mm Bar Blade Assembly



Item	Part No	Description	Qty
1	573550	Blade- Bar, 485 mm HP	1
2	569611	Blade- Bar Chipper 19"	1
3	581675	Driver Assy- 25 mm Chip M6	1
4	503363	Key- W/ruff 5/8x3/16x1/4	1
5	581610	Screw, Set NF 3/8x1.25 NYG8	1
6	500204	Washer, Spring 3/8"	1
7	503972	Screw, Set M6x16 HT 8.8 Hex	4
8	500201	Washer, Spg 6	4

Catcher Assembly 19"/21" Aero - 769023



Item	Part No	Description	Qty
1	573373	Catcher, Top 19/21"	1
2	573370	Catcher, Top Insert	1
3	569020	Catcher, Bottom 19/21"	1
4	573841	Catcher, Frame 19/21"	1
5	503834	Screw, S/T M4x10 Hex	2
6	501024	Washer- Spg 4	2
7	503593	Washer, Flat 4 x 9 x1.0	2
8	503875	Nut, M4 Hex Nyloc	2
9	501023	Screw, S/T M4x20 Hex	2